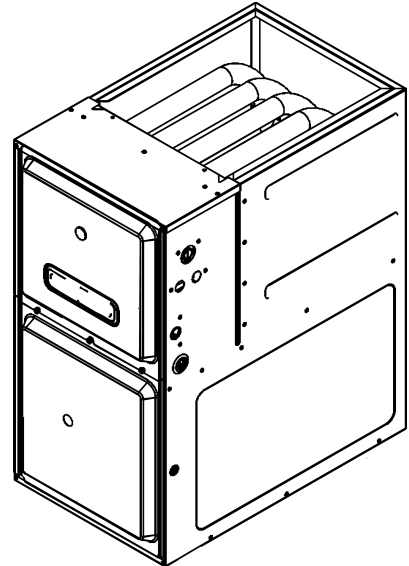




REPAIR PARTS

GCES 96% High Efficient Furnace

GCES960403BNAA
GCES960603BNAA
GCES960804CNAA
GCES961005CNAA
GCES961205DNAA



This manual is to be used by qualified technicians only.

© 2019 Goodman Manufacturing Company, L.P. ♦ 5151 San Felipe St, Suite 500 ♦ Houston, TX 77056

Important Information

Index

Functional Parts List	3
Illustration and Parts	4 - 11

Views shown are for parts illustrations only, not servicing procedures

Text Codes:

AR - As Required

NA - Not Available

NS - Not Shown

00000000 - See Note

QTY - Quantity Example (QTY 3) (If Quantity not shown, Quantity = 1)

M - Model Example (M1) (If M Code not shown, then part is used on all Models)

Expanded Model Nomenclature:

Example M1 - Model#1 M2 - Model#2 M3 - Model#3

Goodman Manufacturing Company, L.P. is not responsible for personal injury or property damage resulting from improper service. Review all service information before beginning repairs.

Warranty service must be performed by an authorized technician, using authorized factory parts. If service is required after the warranty expires, Goodman Manufacturing Company, L.P. also recommends contacting an authorized technician and using authorized factory parts.

Goodman Manufacturing Company, L.P. reserves the right to discontinue, or change at any time, specifications or designs without notice or without incurring obligations.

For assistance within the U.S.A. contact:
Homeowner Support
Goodman Manufacturing Company, L.P.
19001 Kermier Road
Waller, Texas 77484
877-254-4729-Telephone
713-863-2382-Facsimile

For assistance outside the U.S.A. contact:
International Division
Goodman Manufacturing Company, L.P.
19001 Kermier Road
Waller, Texas 77484
713-861-2500-Telephone
713-863-2382-Facsimile

Functional Parts

Part

No: Description:

0130F00038	AUX LIMIT - LT BLUE 120° (QTY 2)
0163F00017	BECKETT BURNER (QTY 2)
0271F00159	BLOWER SHELL & WHEEL ASSY (M1, M2)
0271F00161	BLOWER SHELL & WHEEL ASSY (M3, M4)
0271F00163	BLOWER SHELL & WHEEL ASSY (M5)
PCBBF145	CIRCUIT BOARD
0130F00010	FLAME SENSOR
0151M00037	GAS VALVE
0257F00360	HEAT EXCHANGER ASSY (M4)
0257F00359	HEAT EXCHANGER ASSY (M3)
0257F00358	HEAT EXCHANGER ASSY (M2)
0257F00285	HEAT EXCHANGER ASSY (M1)
0257F00294	HEAT EXCHANGER ASSY. (M5)
0130F00008	IGNITOR-SINI 17 SEC
0130F00071	LIMIT SWITCH (M3)
20162903	LIMIT-BLUE (M4)
20162901	LIMIT-RED (M1, M2)
20162906	LIMIT-WHITE (M5)
10123539	MANUAL RESET R.O.S. LIMIT (M4, M5)
10123534	MANUAL RESET R.O.S. LIMIT (M3)
0130F00123	MANUAL RESET R.O.S. LIMIT (M1, M2)

0131F00134	MOTOR, PROGRAM-X13 (M5)
0131F00132	MOTOR, PROGRAM-X13 (M3)
0131F00130	MOTOR, PROGRAM-X13 (M1)
0131F00131	MOTOR, PROGRAM-X13 (M2)
0131F00133	MOTOR, PROGRAM-X13 (M4)
0171M00001	MOTOR-ID, BLOWER
0130M00243	SWITCH, INTERLOCK
0130F00447	SWITCH, PRESSURE (M1)
0130F00439	SWITCH, PRESSURE (M2, M3, M4)
0130F00438	SWITCH, PRESSURE (M5)
0130M00140	TRANSFORMER, 120V TO 24V,40VA

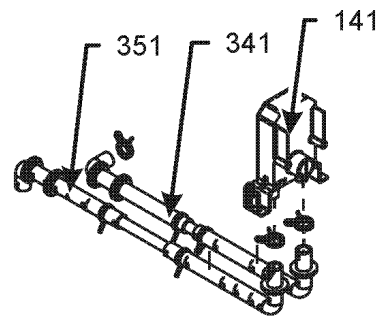
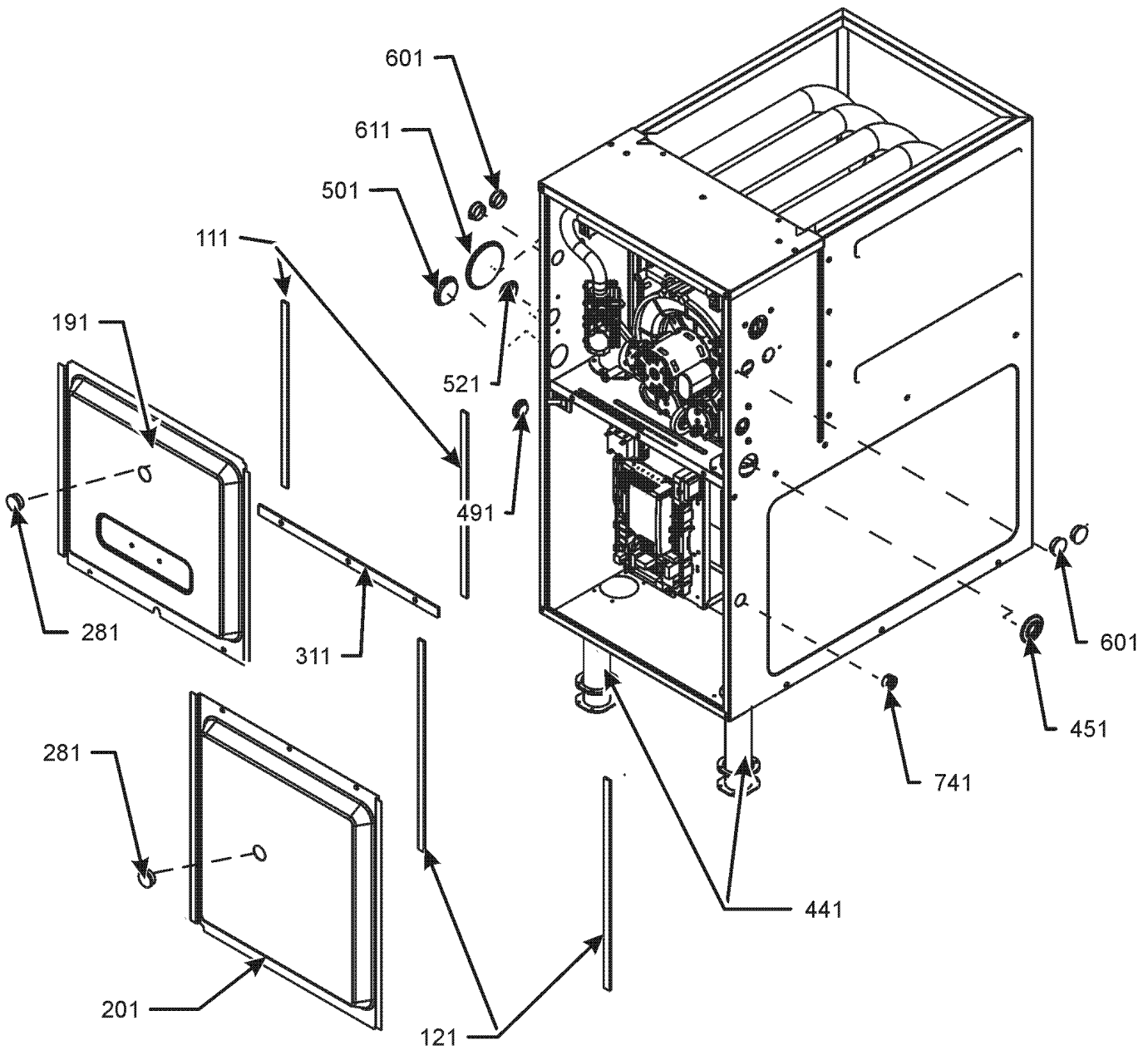
SPECIAL PARTS

0161F00086 NAMEPLATE, GOODMAN

Expanded Model Nomenclature

M1 - GCES960403BNAA
M2 - GCES960603BNAA
M3 - GCES960804CNAA
M4 - GCES961005CNAA
M5 - GCES961205DNAA

Cabinet Assembly



DRAIN TRAP ASSEMBLY

Cabinet Assembly

Ref. Part No:	Ref. Part No:	Description:	Description:
---------------	---------------	--------------	--------------

Image 1:

111	0154F00024	GASKET (QTY 2)
121	0154F00025	GASKET (QTY 2)
141	0161F00046	DRAIN TRAP
191	0121F00291DG	DOOR, ACCESS 17.5 PNT (M1, M2)
191	0121F00292DG	DOOR, ACCESS 21 PNT (M3, M4)
191	0121F00293DG	DOOR, ACCESS 24.5 PNT (M5)
201	0121F00288DG	DOOR, BLOWER 17.5 PNT (M1, M2)
201	0121F00289DG	DOOR, BLOWER 21 PNT (M3, M4)
201	0121F00290DG	DOOR, BLOWER 24.5 PNT (M5)
281	B1392139	VIEW PORT BUSHING (QTY 2)
311	0154F00020	GASKET, DECK (M1, M2)
311	0154F00021	GASKET, DECK (M3, M4)
311	0154F00022	GASKET, DECK (M5)
341	0270F03125	CF DRAIN TUBE ASSY (M1, M2)
341	0270F03515	CF DRAIN TUBE ASSY (M3, M4)
341	0270F03516	CF DRAIN TUBE ASSY (M5)
351	0270F03126	CF DRAIN TUBE ASSY (M3, M4)
351	0270F03127	CF DRAIN TUBE ASSY (M5)
351	0270F03514	CF DRAIN TUBE ASSY (M1, M2)
441	0161F00064	PIPE, STRAIGHT CF (QTY 2)
451	M0501301	PIPE GROMMET
491	M0570808	BUTTON PLUG
501	M0570806	BUTTON PLUG
521	0161M00027	HOLE PLUG
601	B1392021	PLASTIC PLUG, 1" (2713-BLK) (QTY 4)
611	0163M00460	CLAMP-HOSE (QTY 2)
741	B1392104	UNIVERSAL BUSHING UB 875
NS	M0310345	BUTTON PLUG (QTY 2)
NS	M0570807	BUTTON PLUG
NS	M0209730	DECORATIVE SCREW (QTY 3)
NS	0270F04116	DRAIN KIT ASSY CF
NS	0163M00319	HEX NUT-INSERT (QTY 3)
NS	0161F00086	NAMEPLATE, GOODMAN
NS	M0273904	RETAINER-SCREW (QTY 3)

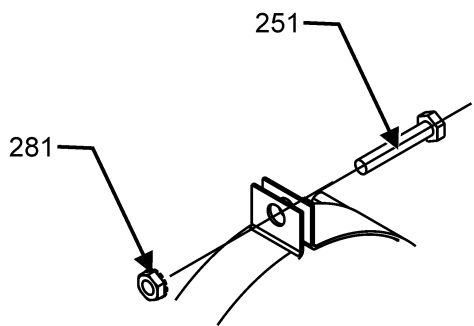
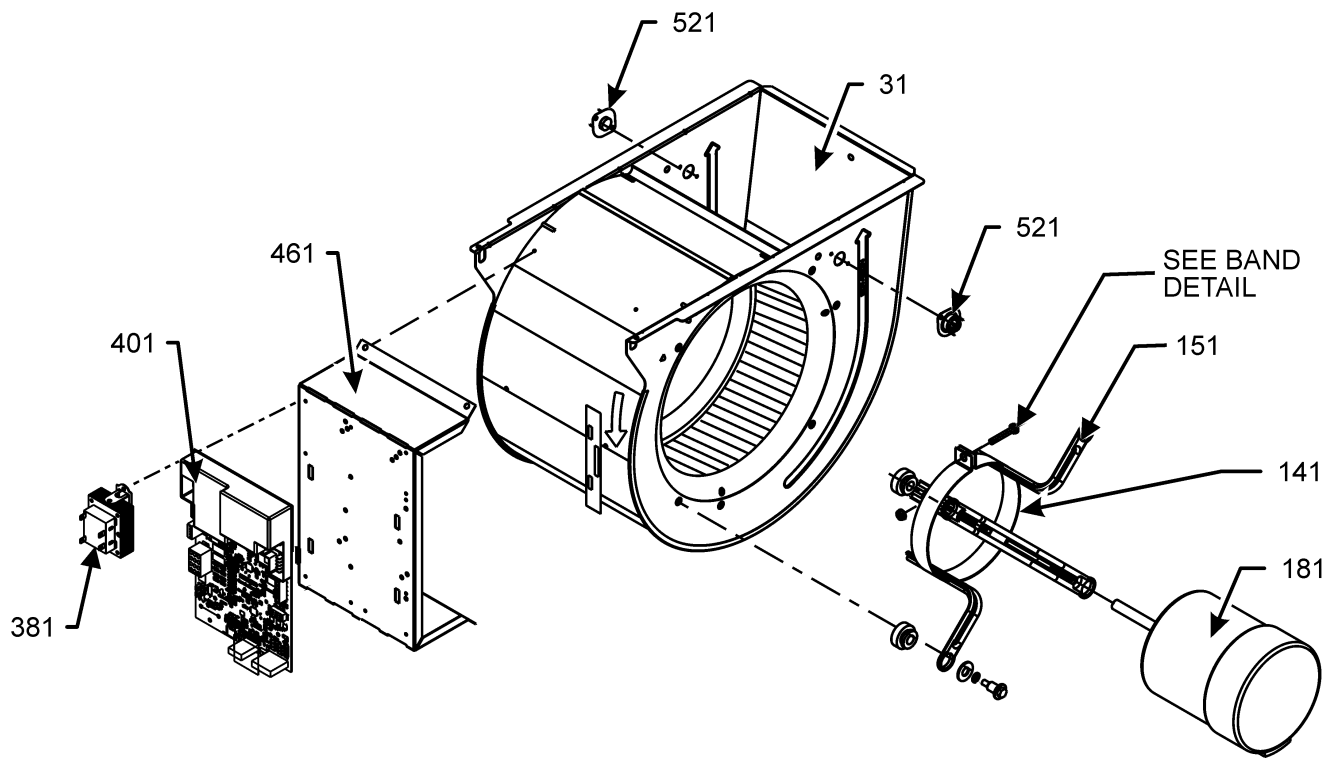
Expanded Model Nomenclature

- | |
|---------------------|
| M1 - GCES960403BNAA |
| M2 - GCES960603BNAA |
| M3 - GCES960804CNAA |
| M4 - GCES961005CNAA |
| M5 - GCES961205DNAA |

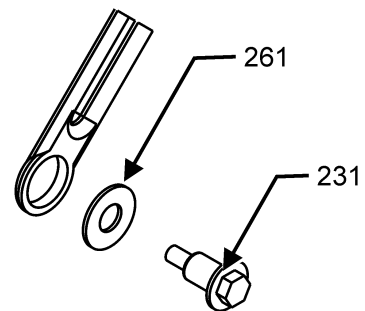
Blower Assembly

BLOWER ASSEMBLY

*If end bells are needed please order the following:
0131M00182 - 1/2 HP
0131M00183 - 3/4 HP
0131M00184 - 1 HP



BAND DETAIL



BLOWER ARM DETAIL

BLOWER ASSEMBLY MAY DIFFER FROM WHAT IS SHOWN

Blower Assembly

Ref. Part No: No:	Description:	Ref. Part No: No:	Description:
-------------------	--------------	-------------------	--------------

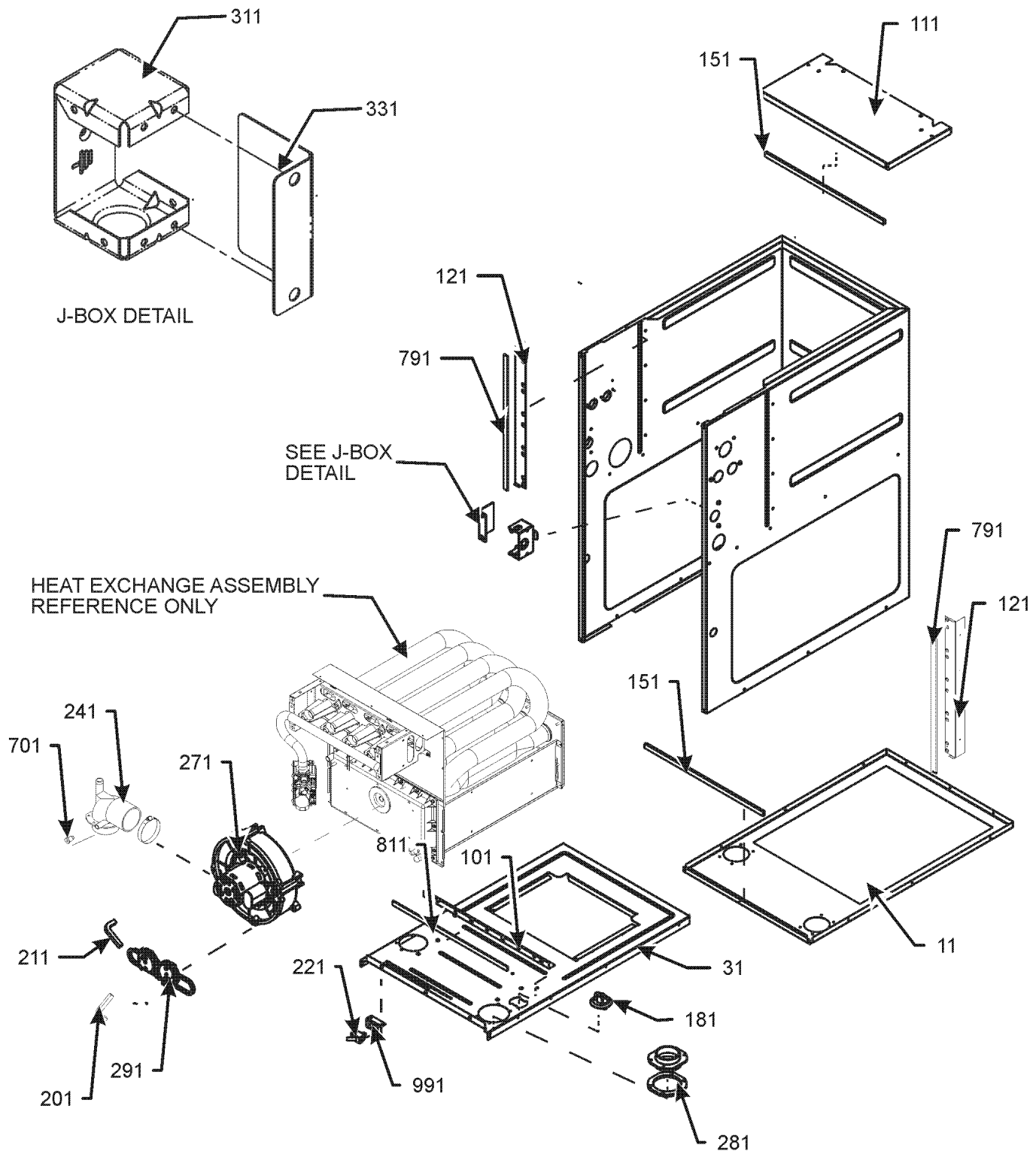
Image 1:

31	0271F00159	BLOWER SHELL & WHEEL ASSY (M1, M2)	
31	0271F00161	BLOWER SHELL & WHEEL ASSY (M3, M4)	
31	0271F00163	BLOWER SHELL & WHEEL ASSY (M5)	
141	0121M00039	MOUNT BAND, MOTOR (HEAVY DUTY)	
151	B1376863	MOUNT ARM, MOTOR (HEAVY DUTY) (QTY 3)	
231	M0250565	TC SCREW 1.25" (QTY 3)	
251	0163M00320	HEX HEAD ALL THREAD TAP BOLT	
261	B1392918	FLAT WASHER (QTY 3)	
281	B1393800	LOCKNUT, NYLON, INSERT 1/4, 20	
381	0130M00140	TRANSFORMER, 120V TO 24V, 40VA CIRCUIT BOARD	
401	PCBBF145	BOARD	
461	0121F00464	CONTROL MOUNTING PLATE	
521	0130F00038	AUX LIMIT - LT BLUE 120° (QTY 2)	
NS	B1392021	1" PLASTIC PLUG (QTY 4)	
NS	0259F00024	HARNESS - BLOWER	
NS	0159F00044	HARNESS-WIRING (M3)	
NS	0159F00086	HARNESS-WIRING (M1, M2, M4, M5)	
181	0131F00130	MOTOR, PROGRAM-X13 (M1)	
181	0131F00131	MOTOR, PROGRAM-X13 (M2)	
181	0131F00132	MOTOR, PROGRAM-X13 (M3)	
181	0131F00133	MOTOR, PROGRAM-X13 (M4)	
181	0131F00134	MOTOR, PROGRAM-X13 (M5)	
NS	0159F00076	WIRE HARNESS	

Expanded Model Nomenclature

M1 - GCES960403BNAA
M2 - GCES960603BNAA
M3 - GCES960804CNAA
M4 - GCES961005CNAA
M5 - GCES961205DNAA

Chassis Assembly



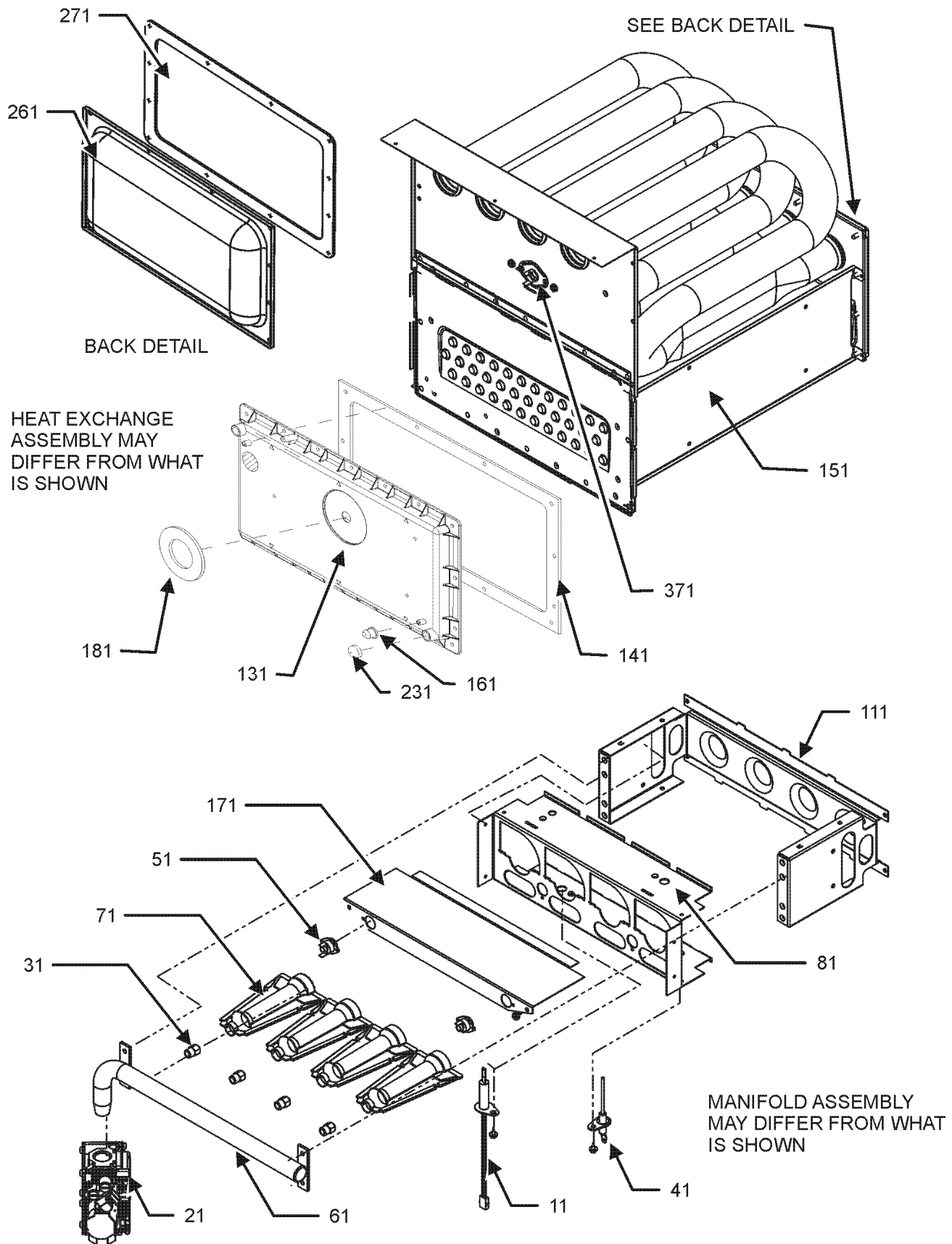
Chassis Assembly

Ref. Part No:	Ref. Part No:	Description:	Description:
Image 1:			
11	0121F00548DG	PAINTED BASEPAN, 17.5 CF (M1, M2)	
11	0121F00549DG	PAINTED BASEPAN, 21 CF (M3, M4)	
11	0121F00550DG	PAINTED BASEPAN, 24.5 CF (M5)	
31	0121F00536	DECK-BLOWER 17.5" CF (M1, M2)	
31	0121F00537	DECK-BLOWER 21" CF (M3, M4)	
31	0121F00538	DECK-BLOWER 24.5" CF (M5)	
101	0121F00314	ANGLE, DECK (M1, M2)	
101	0121F00315	ANGLE, DECK (M3, M4)	
101	0121F00316	ANGLE, DECK (M5)	
111	0121F00426DG	TOP, PAINTED FURNACE 17.5" CF (M1, M2)	
111	0121F00434DG	TOP, PAINTED FURNACE 21" CF (M3, M4)	
111	0121F00442DG	TOP, PAINTED FURNACE 24.5 CF (M5)	
121	0121F00313	SIDE ANGLE (QTY 2)	
151	20179307	GASKET (M5)	
151	20179309	GASKET (M1, M2)	
151	20179310	GASKET (M3, M4)	
181	0159F00044	HARNES-WIRING (M3)	
181	0159F00086	HARNES-WIRING (M1, M2, M4, M5)	
201	0164M00008	HOSE-PRESSURE SW	
211	0164M00031	14" PRESSURE SWITCH HOSES (M3, M4)	
211	0164M00010	HOSE-PRESSURE SW (M5)	
211	0164M00015	HOSE-PRESSURE SWITCH (M1, M2)	
221	0130M00243	SWITCH, INTER LOCK	
241	0164F00003	ELBOW-FLUE, 17.5" CFLOW (M1, M2)	
241	0164F00004	ELBOW-FLUE, 21" CFLOW (M3, M4)	
241	0164F00005	ELBOW-FLUE, 24.5" CFLOW (M5)	
271	0171M00001	MOTOR-ID, BLOWER	
281	0161F00037	COUPLING	
291	0130F00438	SWITCH, PRESSURE (M5)	
291	0130F00439	SWITCH, PRESSURE (M2, M3, M4)	
291	0130F00447	SWITCH, PRESSURE (M1)	
311	0161F00042	JUNCTION BOX	
331	0161F00043	JUNCTION BOX LID	
701	M0326804	TUBE PLUG	
791	0154F00015	GASKET (QTY 2)	
811	0154F00014	GASKET (M1, M2)	
811	0154F00016	GASKET (M3, M4, M5)	
991	0121F00389	BRACKET, DOOR SWITCH	
NS	0160F00015	INSULATION, HT EXCHANGER 17.5" (M1, M2)	
NS	0160F00016	INSULATION, HT EXCHANGER 21" (M3, M4)	
NS	0160F00017	INSULATION, HT EXCHANGER 24.5" (M5)	

Expanded Model Nomenclature

- | |
|---------------------|
| M1 - GCES960403BNAA |
| M2 - GCES960603BNAA |
| M3 - GCES960804CNAA |
| M4 - GCES961005CNAA |
| M5 - GCES961205DNAA |

Heat Exchanger and Manifold Assembly



Heat Exchanger and Manifold Assembly

Ref. Part No:	Ref. Part No:	Description:	Description:	
Image 1:		Image 1:		
11	0130F00008	IGNITOR-SINI 17 SEC	NS 0121F00585 INSULATION, RETAINER (M5)	
21	0151M00037	GAS VALVE	NS 0121F00439 PRIMARY LIMIT-HEAT SHIELD	
31	10716005	ORIFICE (QTY 2)	NS 0121F00355 SHIELD, COIL (QTY 2)	
41	0130F00010	FLAME SENSOR	Expanded Model Nomenclature	
51	0130F00123	MANUAL RESET R.O.S. LIMIT (M1, M2)	M1 - GCES960403BNAA	
51	10123534	MANUAL RESET R.O.S. LIMIT (M3)	M2 - GCES960603BNAA	
51	10123539	MANUAL RESET R.O.S. LIMIT (M4, M5)	M3 - GCES960804CNA A	
61	0163F00007	MANIFOLD (M1)	M4 - GCES961005CNA A	
61	0163F00008	MANIFOLD (M2)	M5 - GCES961205DNA A	
61	0163F00009	MANIFOLD (M3)		
61	0163F00010	MANIFOLD (M4)		
61	0163F00011	MANIFOLD (M5)		
71	0163F00017	BECKETT BURNER (QTY 2)		
81	0121F00456	BRACKET-BURNER 2 (M1)		
81	0121F00455	BRACKET-BURNER 3 (M2)		
81	0121F00454	BRACKET-BURNER 4 (M3)		
81	0121F00453	BRACKET-BURNER 5 (M4)		
81	0121F00451	BRACKET-BURNER 6 (M5)		
111	0121F00469	ORIFICE BRACKET-BURNER 2 (M1)		
111	0121F00468	ORIFICE BRACKET-BURNER 3 (M2)		
111	0121F00467	ORIFICE BRACKET-BURNER 4 (M3)		
111	0121F00466	ORIFICE BRACKET-BURNER 5 (M4)		
111	0121F00465	ORIFICE BRACKET-BURNER 6 (M5)		
131	0161F00030	COVER, FRONT (M3)		
131	0161F00053	COVER, FRONT (M1)		
131	0161F00054	COVER, FRONT (M2)		
131	0161F00060	COVER, FRONT (M4)		
131	0161F00063	COVER, FRONT (M5)		
141	0154F00026	GASKET FRONT COVER (M1, M2)		
141	0154F00030	GASKET FRONT COVER (M3, M4)		
141	0154F00034	GASKET FRONT COVER (M5)		
151	0257F00285	HEAT EXCHANGER ASSY (M1)		
151	0257F00358	HEAT EXCHANGER ASSY (M2)		
151	0257F00359	HEAT EXCHANGER ASSY (M3)		
151	0257F00360	HEAT EXCHANGER ASSY (M4)		
151	0257F00294	HEAT EXCHANGER ASSY. (M5)		
161	M0326804	TUBE PLUG		
171	0121F00539	SHEILD, BURNER (M1)		
171	0121F00540	SHEILD, BURNER (M2)		
171	0121F00541	SHEILD, BURNER (M3)		
171	0121F00542	SHEILD, BURNER (M4)		
171	0121F00543	SHEILD, BURNER (M5)		
181	0154F00043	GASKET ID BLOWER		
231	A1781105	CAP-VINYL .500		
261	0121F00317	COVER, REAR (M1, M2)		
261	0121F00318	COVER, REAR (M3, M4)		
261	0121F00319	COVER, REAR (M5)		
271	0154F00037	GASKET, REAR CVR (M1, M2)		
271	0154F00038	GASKET, REAR CVR (M3, M4)		
271	0154F00039	GASKET, REAR CVR (M5)		
371	0130F00071	LIMIT SWITCH (M3)		
371	20162903	LIMIT-BLUE (M4)		
371	20162901	LIMIT-RED (M1, M2)		
371	20162906	LIMIT-WHITE (M5)		
NS	0154F00041	GASKET FRESH AIR (QTY 2)		
NS	0121F00583	INSULATION, RETAINER (M1, M2)		
NS	0121F00584	INSULATION, RETAINER (M3, M4)		