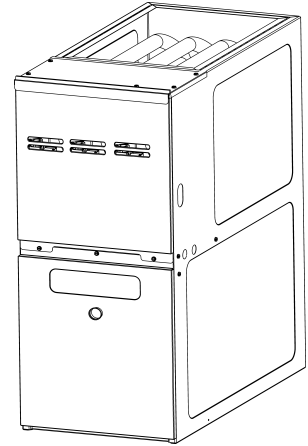




REPAIR PARTS

GCEC 80% High Efficient Furnace

GCEC800403AXAA
GCEC800603AXAA
GCEC800603BXAA
GCEC800804BXAA
GCEC800805CXAA
GCEC801005CXAA



This manual is to be used by qualified technicians only.

© 2019 Goodman Manufacturing Company, L.P. ♦ 5151 San Felipe St, Suite 500 ♦ Houston, TX 77056

Important Information

Index

Functional Parts List	3
Illustration and Parts	4 - 9

Views shown are for parts illustrations only, not servicing procedures

Text Codes:

AR - As Required

NA - Not Available

NS - Not Shown

00000000 - See Note

QTY - Quantity Example (QTY 3) (If Quantity not shown, Quantity = 1)

M - Model Example (M1) (If M Code not shown, then part is used on all Models)

Expanded Model Nomenclature:

Example M1 - Model#1 M2 - Model#2 M3 - Model#3

Goodman Manufacturing Company, L.P. is not responsible for personal injury or property damage resulting from improper service. Review all service information before beginning repairs.

Warranty service must be performed by an authorized technician, using authorized factory parts. If service is required after the warranty expires, Goodman Manufacturing Company, L.P. also recommends contacting an authorized technician and using authorized factory parts.

Goodman Manufacturing Company, L.P. reserves the right to discontinue, or change at any time, specifications or designs without notice or without incurring obligations.

For assistance within the U.S.A. contact:
Homeowner Support
Goodman Manufacturing Company, L.P.
19001 Kermier Road
Waller, Texas 77484
877-254-4729-Telephone
713-863-2382-Facsimile

For assistance outside the U.S.A. contact:
International Division
Goodman Manufacturing Company, L.P.
19001 Kermier Road
Waller, Texas 77484
713-861-2500-Telephone
713-863-2382-Facsimile

Functional Parts

Part

No: Description:

0130F00508 DUAL STAGE PRESSURE SWITCH (M1, M2,
M3, M4)
0130F00509 DUAL STAGE PRESSURE SWITCH (M5, M6)
0130F00010 FLAME SENSOR
0151M00027 GAS VALVE
10690402 INTERLOCK SWITCH
0130F00071 LIMIT SWITCH (M3)
0130F00038 LIMIT, PRIMARY 120 LT BLUE
0130F00067 LIMIT-RED (M5, M6)
10123529 MANUAL RESET R.O.S. LIMIT

0131M00781P MOTOR, VENT 2-STAGE
PCBBF139 PCB, IGNITION CONTROL
0130F00036 PRIMARY LIMIT - PINK 180° (M1, M2, M4)
0131F00166 PROGRAM, MOTOR (M2)
0131F00165 PROGRAM, MOTOR (M1)
0131F00158 PROGRAM, MOTOR (M5)
0131F00157 PROGRAM, MOTOR (M3)
0131F00156 PROGRAM, MOTOR (M4)
0131F00155 PROGRAM, MOTOR (M6)
0130F00008 SINI IGNITOR
0130M00140 TRANSFORMER 120V TO 24V, 40VA
0130M00140 TRANSFORMER,(120V TO 24V,40VA,

Special Parts:

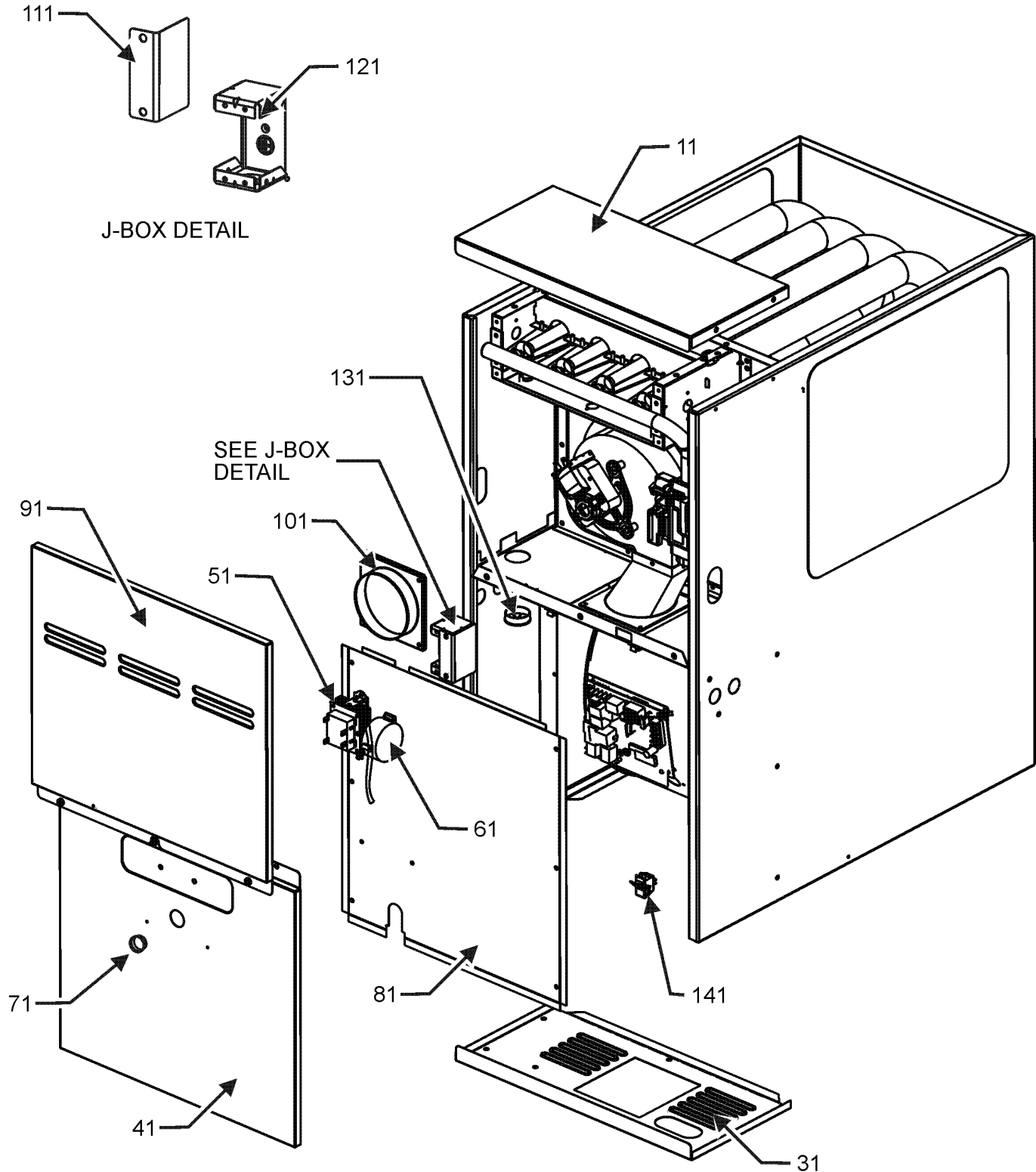
0161F00007 NAMEPLATE, GOODMAN

Expanded Model Nomenclature

M1 - GCEC800403AXAA
M2 - GCEC800603AXAA
M3 - GCEC800603BXAA
M4 - GCEC800804BXAA
M5 - GCEC800805CXAA
M6 - GCEC801005CXAA

Cabinet Assembly

CABINET ASSEMBLY



Cabinet Assembly

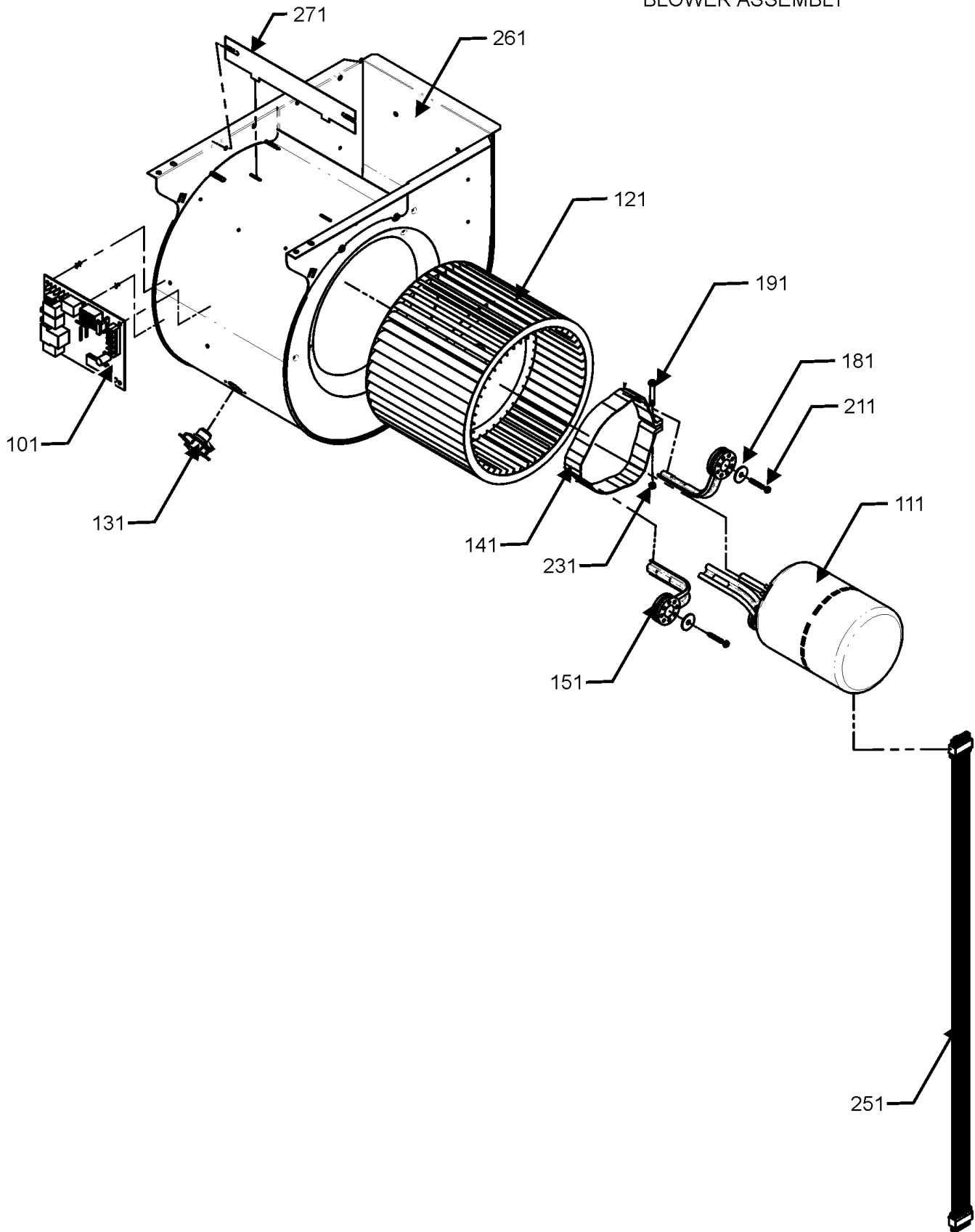
Ref. Part No: No:	Description:	Ref. Part No: No:	Description:
Image 1:			
11	0121F00183DG		PAINTED 14" FURNACE BOTTOM (M1, M2)
11	0121F00190DG		PAINTED 17.5" FURNACE BOTTOM (M3, M4)
11	0121F00191DG		PAINTED 21" FURNACE BOTTOM (M5, M6)
31	0121F00141DG		TOP, FURNACE 14"-PAINTED (M1, M2)
31	0121F00142DG		TOP, FURNACE 17.5"-PAINTED (M3, M4)
31	0121F00143DG		TOP, FURNACE 21"-PAINTED (M5, M6)
41	0121F00122DG		DOOR, BLOWER, 14"-PAINTED (M1, M2)
41	0121F00123DG		DOOR, BLOWER, 17.5"-PAINTED (M3, M4)
41	0121F00124DG		DOOR, BLOWER, 21"-PAINTED (M5, M6)
51	0130M00140		TRANSFORMER 120V TO 24V, 40VA
61	0130F00508		DUAL STAGE PRESSURE SWITCH (M1, M2, M3, M4)
61	0130F00509		DUAL STAGE PRESSURE SWITCH (M5, M6)
71	B1392139		VIEW PORT BUSHING-BLOWER DOOR
81	0121F00741		DOOR, INNENR 14" (M1, M2)
81	0121F00227		DOOR, INNER 17.5" (M3, M4)
81	0121F00228		DOOR, INNER 21" (M5, M6)
91	0121F00118DG		DOOR CTRL ACCESS, 14"-PAINTED (M1, M2)
91	0121F00120DG		DOOR CTRL ACCESS, 21"-PAINTED (M5, M6)
91	0121F00119DG		DOOR CTRL AC CESS,17.5"-PAINTED (M3, M4)
101	4023500		CHIMNEY TRANSITION TOP
111	4015502		J-BOX COVER
121	4014502		J-BOX
131	0163F00001		UNIVERSAL BUSHING WITH SLICE (M1, M2)
131	B1392147		UNIVERSAL BUSHING WITH SLICE (M3, M4, M5, M6)
141	10690402		INTERLOCK SWITCH
NS	0161F00007		NAMEPLATE, GOODMAN

Expanded Model Nomenclature

- | |
|---------------------|
| M1 - GCEC800403AXAA |
| M2 - GCEC800603AXAA |
| M3 - GCEC800603BXAA |
| M4 - GCEC800804BXAA |
| M5 - GCEC800805CXAA |
| M6 - GCEC801005CXAA |

Blower and Control Panel Assembly

BLOWER ASSEMBLY



Blower and Control Panel Assembly

Ref. Part No:	Part No:	Description:	Ref. Part No:	Part No:	Description:
---------------	----------	--------------	---------------	----------	--------------

Image 1:

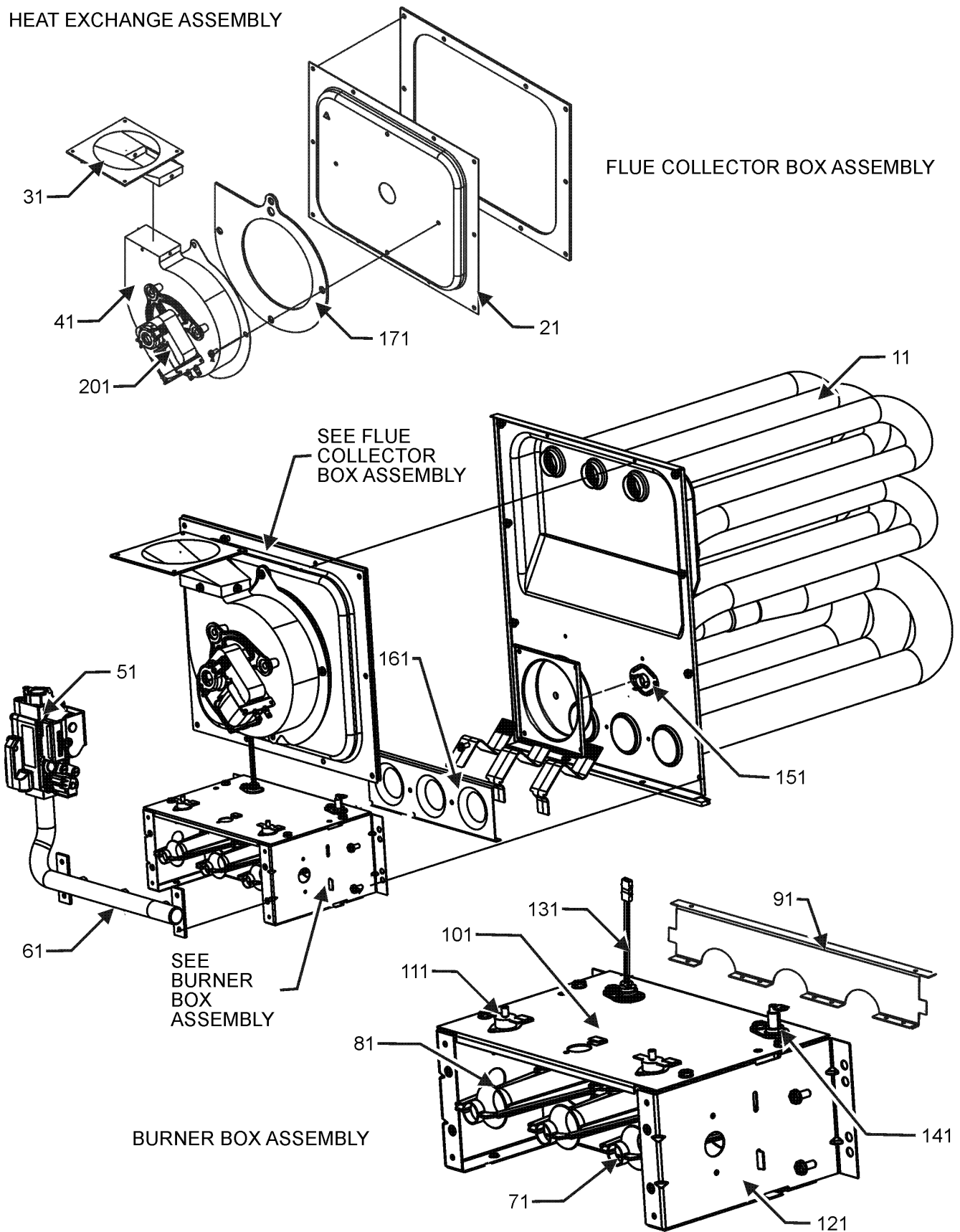
21	20477501	GROMMET-HORSESHOE
31	0130M00140	TRANSFORMER,(120V TO 24V,40VA,
51	PCBBF139	PCB, IGNITION CONTROL
71	0121F00186	BRACKET, CONTROL (M3, M4, M5, M6)
81	0121F00229	HEAT SHIELD
121	B1368034	BLOWER WHEEL (10 X 6) (M1, M2)
121	0150M00042	WHEEL, BLOWER (10 X 10) (M5, M6) WHEEL,
121	0150M00043	BLOWER (10 X 8) (M3, M4)
131	0130F00038	LIMIT, PRIMARY 120 LT BLUE
141	0121M00039	MOUNT BAND, MOTOR (HEAVY DUTY)
141	0121M00039	MOUNT BAND, MOTOR (HEAVY DUTY)
151	B1376863	MOTOR MOUNT ARM (HEAVY DUTY) (QTY
181	B1392918	3) WASHER, FLAT 1/4 ID X 1 OD (QTY 3)
191	0163M00320	HEX HEAD ALL THREAD TAP BOLT SCREW-
211	M0250565	TC 1.25" (QTY 3)
211	M0250565	SCREW-TC 1.25" (QTY 3)
231	B1393800	LOCKNUT, NYLON INSERT 1/4 20
251	0159F00076	WIRING HARNESS
261	2539307	BLWR SHL ASM 10X10 10X10 (M5, M6)
261	2539305	BLWR SHL ASM 10X6 10X6 (M1, M2)
261	2539306	BLWR SHL ASM 10X8 10X8 (M3, M4)
271	764741	BLWR BLK-OFF,10X10 (M5, M6)
271	764739	BLWR BLK-OFF,10X6 (M1, M2)
271	764740	BLWR BLK-OFF,10X8 (M3, M4)
111	0131F00155	PROGRAM, MOTOR (M6)
111	0131F00156	PROGRAM, MOTOR (M4)
111	0131F00157	PROGRAM, MOTOR (M3)
111	0131F00158	PROGRAM, MOTOR (M5)
111	0131F00165	PROGRAM, MOTOR (M1)
111	0131F00166	PROGRAM, MOTOR (M2)

Expanded Model Nomenclature

M1 - GCEC800403AXAA
M2 - GCEC800603AXAA
M3 - GCEC800603BXAA
M4 - GCEC800804BXAA
M5 - GCEC800805CXAA
M6 - GCEC801005CXAA

Heat Exchange Assembly

HEAT EXCHANGE ASSEMBLY



Heat Exchange Assembly

Ref. Part No:	Part No:	Description:	Ref. Part No:	Part No:	Description:
Image 1:					
11	0270F03525	HEAT EXCHANGER ASSY (M1)			
11	0270F03526	HEAT EXCHANGER ASSY (M2)			
11	0270F03527	HEAT EXCHANGER ASSY (M4)			
11	0270F03528	HEAT EXCHANGER ASSY (M6)			
11	0270F03899	HEAT EXCHANGER ASSY (M3)			
11	0270F03900	HEAT EXCHANGER ASSY (M5)			
21	0121F00327	14" COLLECTOR BOX 1.125" DIA (M1)			
21	0121F00332	17.5" COLLECTOR BOX 1.375" DIA (M3)			
21	0121F00331	17.5" COLLECTOR BOX 1.500" DIA (M4)			
21	0121F00365	21" COLLECTOR BOX 1.437" DIA. (M5)			
21	0121F00333	21" COLLECTOR BOX 1.75" DIA (M6)			
21	0121F00198	COLLECTOR BOX, 14" 1.75 DIA (M2)			
31	0128F00006	CHIMNEY TRANSITION BOTTOM			
41	0131M00781P	MOTOR, VENT 2-STAGE			
51	0151M00027	GAS VALVE			
61	0120F00006	MANIFOLD (M1)			
61	0120F00007	MANIFOLD (M2, M3)			
61	0120F00008	MANIFOLD (M4, M5)			
61	0120F00009	MANIFOLD (M6)			
71	10716005	ORIFICE (QTY 2)			
81	B4022700	INSHOT BURNER ASSY 3" (QTY 2)			
91	0121F00167	BURNER RACK, 2 CELL (M1)			
91	0121F00168	BURNER RACK, 3 CELL (M2, M3)			
91	0121F00169	BURNER RACK, 4 CELL (M4, M5)			
91	0121F00170	BURNER RACK, 5 CELL (M6)			
101	0121F00162	TOP, BURNER BOX 2 CELL (M1)			
101	0121F00163	TOP, BURNER BOX 3 CELL (M2, M3)			
101	0121F00164	TOP, BURNER BOX 4 CELL (M4, M5)			
101	0121F00165	TOP, BURNER BOX 5 CELL (M6)			
111	10123529	MANUAL RESET R.O.S. LIMIT			
121	0121F00146	BURNER BOX SIDE (QTY 2)			
131	0130F00008	SINI IGNITOR			
141	0130F00010	FLAME SENSOR			
151	0130F00071	LIMIT SWITCH (M3)			
151	0130F00067	LIMIT-RED (M5, M6)			
151	0130F00036	PRIMARY LIMIT - PINK 180° (M1, M2, M4)			
161	4028000	ORIFICE PLATE, 2CELL (M1)			
161	4028001	ORIFICE PLATE, 3CELL (M2, M3)			
161	4028002	ORIFICE PLATE, 4 CELL (M4, M5)			
161	4028003	ORIFICE PLATE, 5CELL (M6)			
171	0154F00003	GASKET-14 INCH (M1, M2)			
171	0154F00004	GASKET-17.5 INCH (M3, M4)			
171	0154F00005	GASKET-21 INCH (M5, M6)			
201	DY6.186.070	VENT MOTOR CAPACITOR			
NS	0259F00283	DOWNFLOW MAIN WIRE HARNESS			
NS	0259F00066	INDUCER HARNESS ASSY			
NS	0259F00281	WIRE HARNESS ASSY			

Expanded Model Nomenclature

- | |
|---------------------|
| M1 - GCEC800403AXAA |
| M2 - GCEC800603AXAA |
| M3 - GCEC800603BXAA |
| M4 - GCEC800804BXAA |
| M5 - GCEC800805CXAA |
| M6 - GCEC801005CXAA |