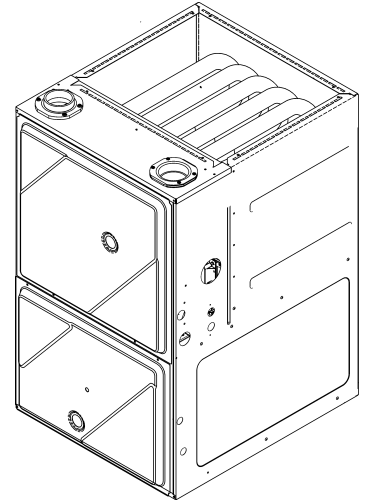


## GC9C 96% EEM Counter Flow Furnace

GC9C960403BNAA  
GC9C960603BNAA  
GC9C960803BNAA  
GC9C961005CNAA



This manual is to be used by qualified technicians only.

© 2021 Goodman Manufacturing Company, L.P. ♦ 5151 San Felipe St, Suite 500 ♦ Houston, TX 77056

# Important Information

---

## Index

Functional Parts List .....	3
Illustration and Parts .....	4 - 11

*Views shown are for parts illustrations only, not servicing procedures.*

### Text Codes:

AR - As Required

NA - Not Available

NS - Not Shown

00000000 - See Note

QTY - Quantity Example (QTY 3) (If Quantity not shown, Quantity = 1)

M - Model Example (M1) (If M Code not shown, then part is used on all Models)

### Expanded Model Nomenclature:

Example M1 - Model#1 M2 - Model#2 M3 - Model#3
---

Goodman Manufacturing Company, L.P. is not responsible for personal injury or property damage resulting from improper service. Review all service information before beginning repairs.

Warranty service must be performed by an authorized technician, using authorized factory parts. If service is required after the warranty expires, Goodman Manufacturing Company, L.P. also recommends contacting an authorized technician and using authorized factory parts.

Goodman Manufacturing Company, L.P. reserves the right to discontinue, or change at any time, specifications or designs without notice or without incurring obligations.

For assistance within the U.S.A. contact:  
Homeowner Support  
Goodman Manufacturing Company, L.P.  
19001 Kermier Road  
Waller, Texas 77484  
877-254-4729-Telephone  
713-863-2382-Facsimile

For assistance outside the U.S.A. contact:  
International Division  
Goodman Manufacturing Company, L.P.  
19001 Kermier Road  
Waller, Texas 77484  
713-861-2500-Telephone  
713-863-2382-Facsimile

# Functional Parts

## Part

## No: Description:

---

20162904	*PRIMARY LIMIT-TEMPERATURE CONTROL (M3)
0130F00038	AUX LIMIT - LT BLUE 120° (QTY 2)
0163F00017	BECKETT BURNER (QTY 2)
0271F00181	BLOWER HSG ASSY (M1)
0271F00161	BLOWER SHELL & WHEEL ASSY (M4)
0271F00159	BLOWER SHELL & WHEEL ASSY (M2, M3)
764740	BLWR BLK-OFF, 10X8 (M1)
PCBBF164	CIRCUIT BOARD FURNACE
0130F00010	FLAME SENSOR
0151M00027	GAS VALVE
0257F00419	HEAT EXCHANGER ASSY (M1)
0257F00420	HEAT EXCHANGER ASSY (M2)
0257F00421	HEAT EXCHANGER ASSY (M3)
0257F00429	HEAT EXCHANGER ASSY (M4)
0130F00008	IGNITOR-SINI 17 SEC
10123538	MANUAL RESET R.O.S. LIMIT (M2)
10123533	MANUAL RESET R.O.S. LIMIT (M1, M3)
0130F00123	MANUAL RESET R.O.S. LIMIT (M4)
0131F00231	MOTOR PROGRAMMED (M4)
0131F00228	MOTOR PROGRAMMED (M1)
0131F00229	MOTOR PROGRAMMED (M2)
0131F00230	MOTOR PROGRAMMED (M3)
0171M00002	MOTOR-ID, BLOWER
0130F00434	PRESSURE SWITCH (M4)
0130F00435	PRESSURE SWITCH (M1, M2)
0130F00436	PRESSURE SWITCH (M3)
0130F00429	PRESSURE SWITCH
20162906	PRIMARY LIMIT - WHITE (M1, M2, M4)
0130M00243	SWITCH, INTERLOCK
0130M00140	TRANSFORMER, 120V TO 24V, 40VA
0150M00043	WHEEL, BLOWER (10 X 8) (M1)

### SPECIAL PARTS

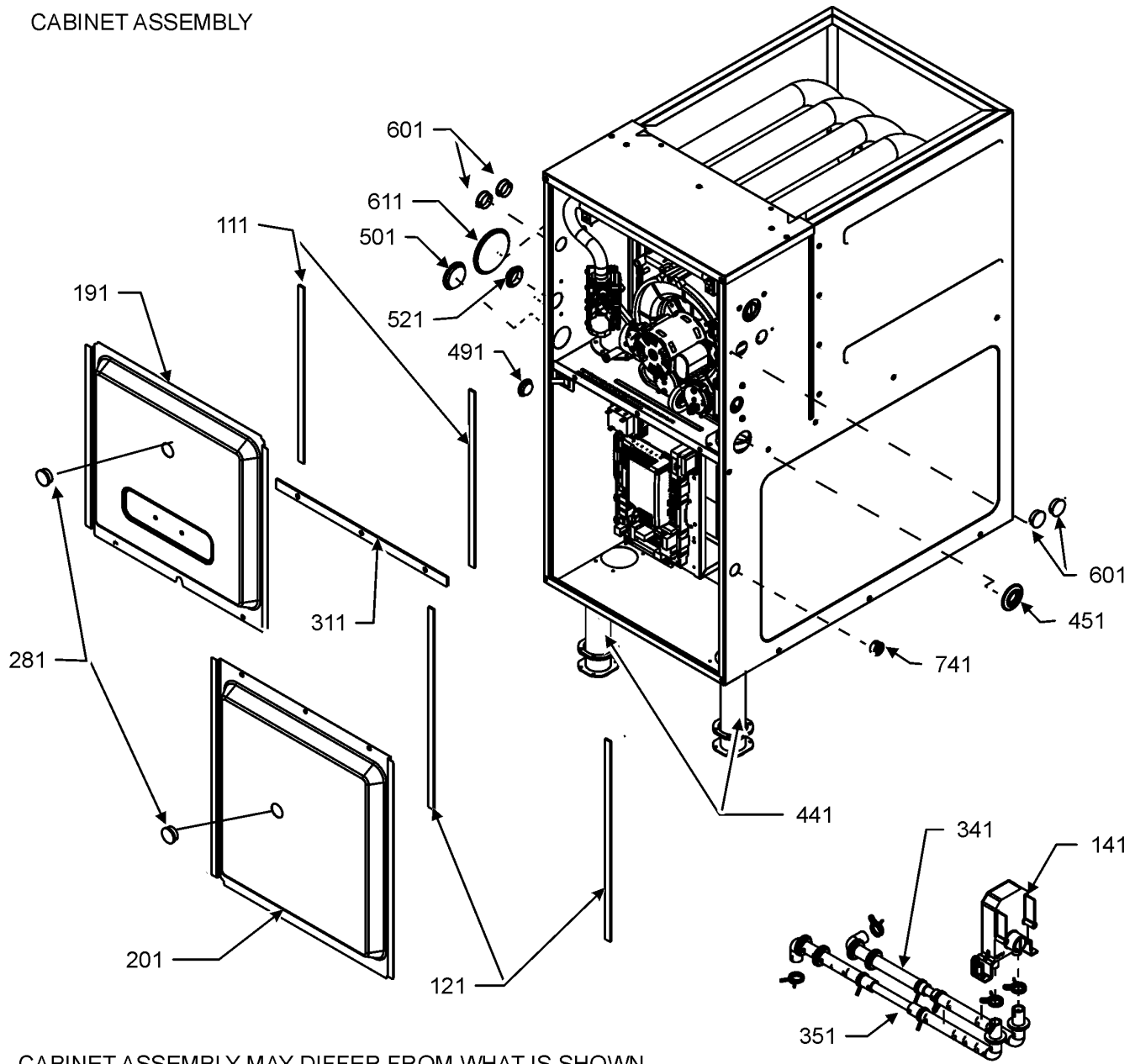
0161F00086 NAMEPLATE, GOODMAN

### Expanded Model Nomenclature

M1 - GC9C960403BNAA
M2 - GC9C960603BNAA
M3 - GC9C960803BNAA
M4 - GC9C961005CNAA

# Cabinet Assembly

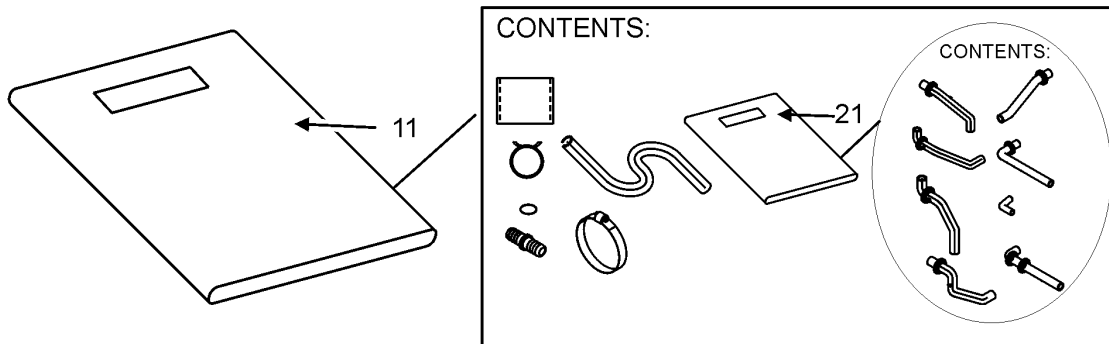
## CABINET ASSEMBLY



CABINET ASSEMBLY MAY DIFFER FROM WHAT IS SHOWN

## DRAIN TRAP ASSEMBLY

## DRAIN KIT ASSEMBLY



# Cabinet Assembly

Ref. Part No:	Ref. Part No:	Description:	Description:
---------------	---------------	--------------	--------------

**Image 1:**

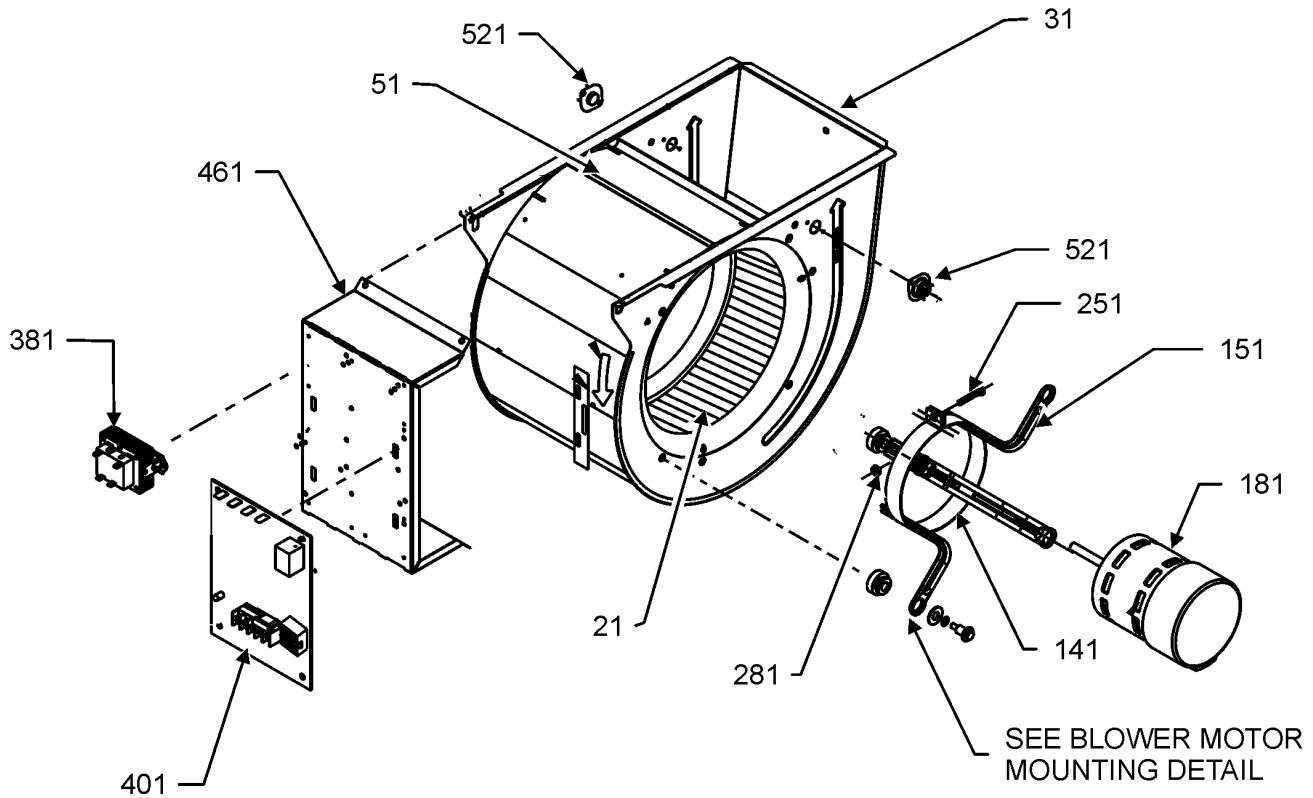
11	0270F05402	DRAIN KIT ASSY
21	0270F05402	DRAIN KIT ASSY
111	0154F00024	GASKET (QTY 2)
121	0154F00025	GASKET (QTY 2)
141	0161F00046	DRAIN TRAP
191	0121F00291DG	DOOR, ACCESS 17.5 PNT (M1, M2, M3)
191	0121F00292DG	DOOR, ACCESS 21 PNT (M4)
201	0121F00288DG	DOOR, BLOWER 17.5 PNT (M1, M2, M3)
201	0121F00289DG	DOOR, BLOWER 21 PNT (M4)
281	B1392139	VIEW PORT BUSHING (QTY 2)
311	0154F00020	DECK GASKET (M1, M2, M3)
311	0154F00021	DECK GASKET (M4)
341	0270F03125	CF DRAIN TUBE ASSY (M1, M2, M3)
341	0270F03515	CF DRAIN TUBE ASSY (M4)
351	0270F03126	CF DRAIN TUBE ASSY (M4)
351	0270F03514	CF DRAIN TUBE ASSY (M1, M2, M3)
441	0161F00064	PIPE, STRAIGHT CF (QTY 2)
451	M0501301	PIPE GROMMET
491	M0570808	BUTTON PLUG
501	M0570806	BUTTON PLUG
521	0161M00027	HOLE PLUG
601	B1392021	PLASTIC PLUG, 1" (2713-BLK) (QTY 4)
611	0163M00460	CLAMP-HOSE (QTY 2)
741	B1392104	UNIVERSAL BUSHING UB 875
NS	M0310345	BUTTON PLUG (QTY 2)
NS	M0570807	BUTTON PLUG
NS	M0209730	DECORATIVE SCREW (QTY 3)
NS	0154F00041	FRESH AIR GASKET
NS	0163M00319	HEX NUT INSERT (QTY 3)
NS	0161F00086	NAMEPLATE, GOODMAN
NS	M0273904	RETAINER SCREW (QTY 3)

**Expanded Model Nomenclature**

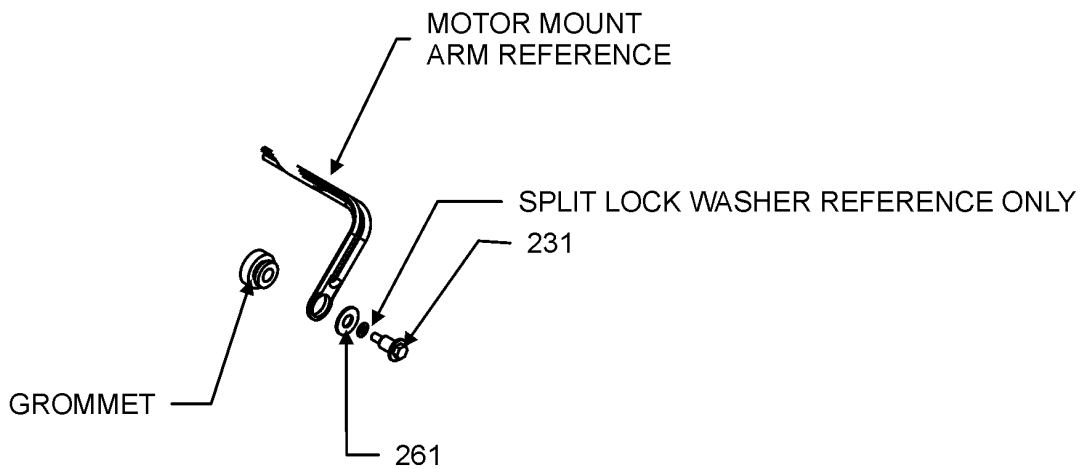
- |                     |
|---------------------|
| M1 - GC9C960403BNAA |
| M2 - GC9C960603BNAA |
| M3 - GC9C960803BNAA |
| M4 - GC9C961005CNAA |

# Blower Assembly

## BLOWER ASSEMBLY



SEE BLOWER MOTOR MOUNTING DETAIL



BLOWER MOTOR MOUNTING DETAIL

BLOWER ASSEMBLY MAY DIFFER FROM WHAT IS SHOWN

# Blower Assembly

Ref. Part No:	No:	Description:	Ref. Part No:	No:	Description:
---------------	-----	--------------	---------------	-----	--------------

**Image 1:**

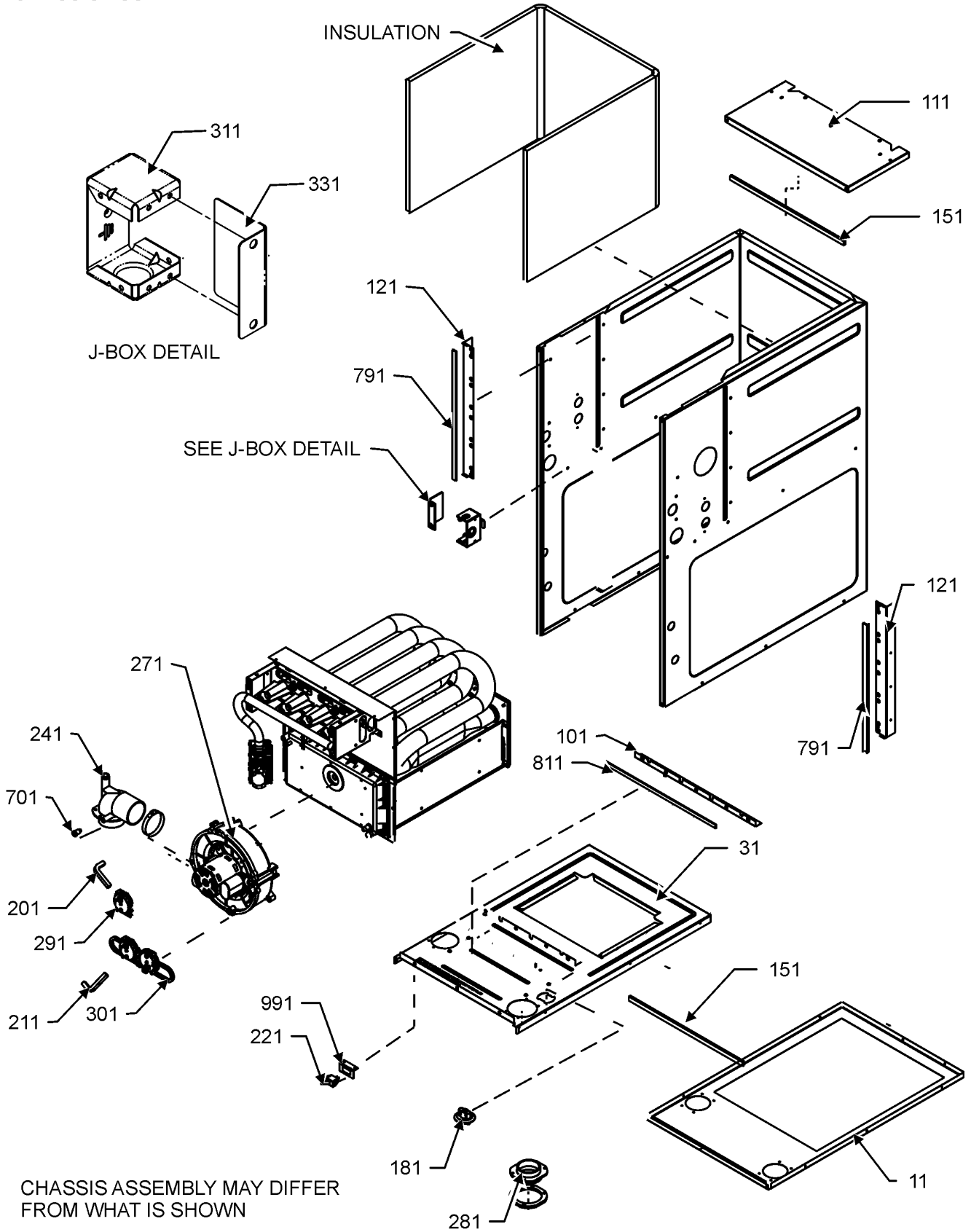
21	0150M00043	WHEEL, BLOWER (10 X 8) (M1)
31	0271F00181	BLOWER HSG ASSY (M1)
31	0271F00159	BLOWER SHELL & WHEEL ASSY (M2, M3)
31	0271F00161	BLOWER SHELL & WHEEL ASSY (M4)
51	764740	BLWR BLK-OFF,10X8 (M1)
141	0121M00039	MOUNT BAND, MOTOR (HEAVY DUTY)
151	0163M00538	MOUNT ARM, MOTOR (QTY 3)
181	0131F00228	MOTOR PROGRAMMED (M1)
181	0131F00229	MOTOR PROGRAMMED (M2)
181	0131F00230	MOTOR PROGRAMMED (M3)
181	0131F00231	MOTOR PROGRAMMED (M4)
231	M0250565	TC SCREW 1.25" (QTY 3)
251	0163M00320	HEX HEAD ALL THREAD TAP BOLT
261	B1392918	FLAT WASHER (QTY 3)
281	B1393800	LOCKNUT, NYLON, INSERT 1/4, 20
381	0130M00140	TRANSFORMER, 120V TO 24V,40VA
401	PCBBF164	CIRCUIT BOARD FURNACE
461	0121F00464	CONTROL MOUNTING PLATE
521	0130F00038	AUX LIMIT - LT BLUE 120° (QTY 2)
NS	B1392021	1" PLASTIC PLUG (QTY 4)
NS	0159F00119	CTM, MOTOR HARNESS
NS	0259F00024	HARNESS - BLOWER

**Expanded Model Nomenclature**

M1 - GC9C960403BNAA
M2 - GC9C960603BNAA
M3 - GC9C960803BNAA
M4 - GC9C961005CNAA

# Chassis Assembly

## CHASSIS ASSEMBLY





# Chassis Assembly

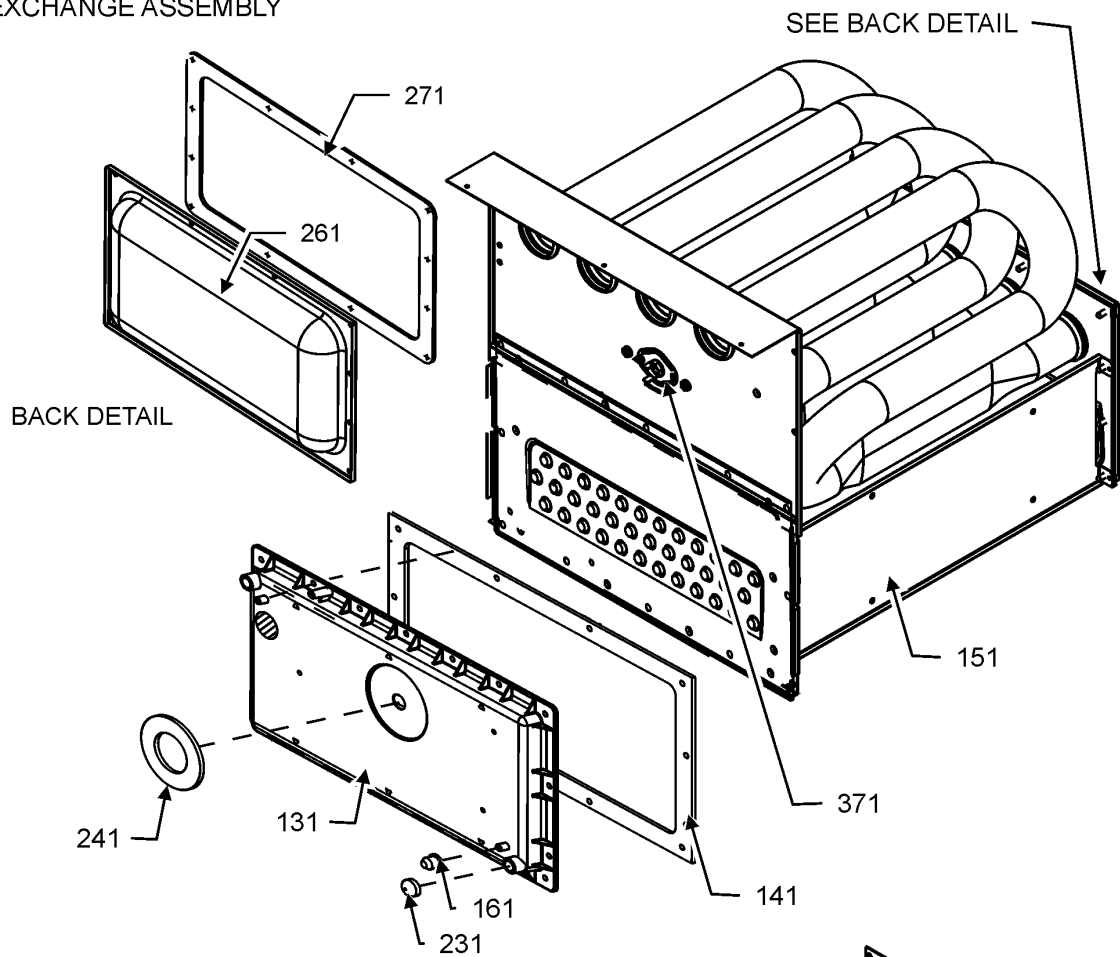
Ref. Part No:	Part No:	Description:	Ref. Part No:	Part No:	Description:
<b>Image 1:</b>					
11	0121F00548DG	PAINTED BASEPAN, 17.5 CF (M1, M2, M3)			
11	0121F00549DG	PAINTED BASEPAN, 21 CF (M4)			
31	0121F00536	DECK-BLOWER 17.5" CF (M1, M2, M3)			
31	0121F00537	DECK-BLOWER 21" CF (M4)			
101	0121F00314	ANGLE, DECK (M1, M2, M3)			
101	0121F00315	ANGLE, DECK (M4)			
111	0121F00426DG	TOP, PAINTED FURNACE 17.5" CF (M1, M2, M3)			
111	0121F00434DG	TOP, PAINTED FURNACE 21" CF (M4)			
121	0121F00313	SIDE ANGLE (QTY 2)			
151	20179309	GASKET (M1, M2, M3)			
151	20179310	GASKET (M4)			
181	0159F00140	HARNESS, WIRING (M1)			
181	0159F00141	HARNESS, WIRING (M2, M3, M4)			
201	0164M00115	HOSE- PRESSURE SW 6"			
211	0164M00117	HOSE- PRESSURE SW 8" (M4)			
221	0130M00243	SWITCH, INTERLOCK			
241	0164F00026	ELBOW-FLUE, 17.5" CFLOW (M1, M2, M3)			
241	0164F00027	ELBOW-FLUE, 21" CFLOW (M4)			
271	0171M00002	MOTOR-ID, BLOWER			
281	0161F00037	COUPLING			
291	0130F00429	PRESSURE SWITCH			
301	0130F00434	PRESSURE SWITCH (M4)			
301	0130F00435	PRESSURE SWITCH (M1, M2)			
301	0130F00436	PRESSURE SWITCH (M3)			
311	0161F00042	JUNCTION BOX			
331	0161F00043	JUNCTION BOX LID			
701	M0326804	TUBE PLUG			
791	0154F00015	GASKET (QTY 2)			
811	0154F00014	GASKET (M1, M2, M3)			
811	0154F00016	GASKET (M4)			
991	0121F00389	BRACKET, DOOR SWITCH			
NS	0160F00015	INSULATION, HT EXCHANGER 17.5" (M1, M2, M3)			
NS	0160F00016	INSULATION, HT EXCHANGER 21" (M4)			

## Expanded Model Nomenclature

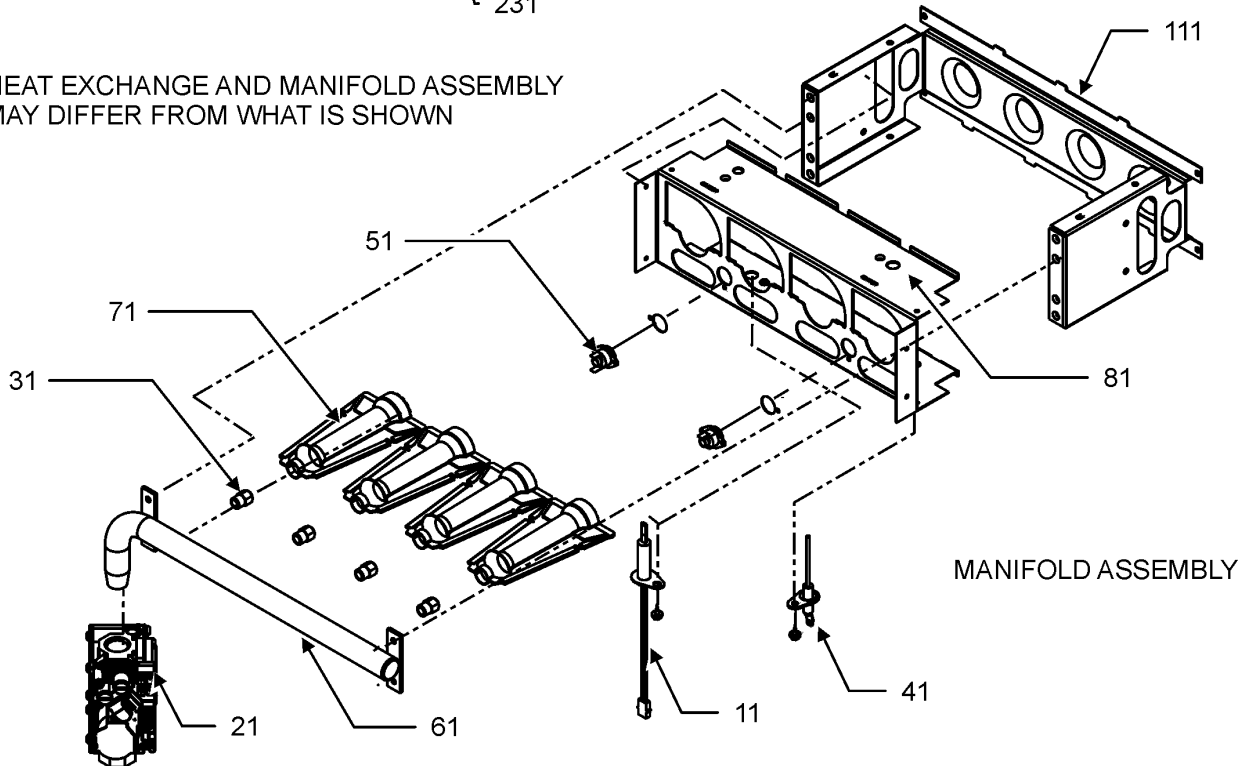
M1 - GC9C960403BNAA
M2 - GC9C960603BNAA
M3 - GC9C960803BNAA
M4 - GC9C961005CNAA

# Heat Exchange and Manifold Assembly

## HEAT EXCHANGE ASSEMBLY



HEAT EXCHANGE AND MANIFOLD ASSEMBLY  
MAY DIFFER FROM WHAT IS SHOWN



# Heat Exchange and Manifold Assembly

Ref. Part No:	Ref. Part No:	Description:	Description:
<b>Image 1:</b>			
11	0130F00008	IGNITOR-SINI 17 SEC	
21	0151M00027	GAS VALVE	
31	10716005	ORIFICE (QTY 2)	
41	0130F00010	FLAME SENSOR	
51	0130F00123	MANUAL RESET R.O.S. LIMIT (M4)	
51	10123533	MANUAL RESET R.O.S. LIMIT (M1, M3)	
51	10123538	MANUAL RESET R.O.S. LIMIT (M2)	
61	0163F00007	MANIFOLD (M1)	
61	0163F00008	MANIFOLD (M2)	
61	0163F00010	MANIFOLD (M4)	
61	0163F00014	MANIFOLD (M3)	
71	0163F00017	BECKETT BURNER (QTY 2)	
81	0121F00456	BRACKET-BURNER 2 (M1)	
81	0121F00455	BRACKET-BURNER 3 (M2)	
81	0121F00454	BRACKET-BURNER 4 (M3)	
81	0121F00453	BRACKET-BURNER 5 (M4)	
111	0121F00469	ORIFICE BRACKET-BURNER 2 (M1)	
111	0121F00468	ORIFICE BRACKET-BURNER 3 (M2)	
111	0121F00467	ORIFICE BRACKET-BURNER 4 (M3)	
111	0121F00466	ORIFICE BRACKET-BURNER 5 (M4)	
131	0161F00053	FRONT COVER (M1)	
131	0161F00072	FRONT COVER (M4)	
131	0161F00078	FRONT COVER (M2)	
131	0161F00079	FRONT COVER (M3)	
141	0154F00026	GASKET FRONT COVER (M1, M2, M3)	
141	0154F00030	GASKET FRONT COVER (M4)	
151	0257F00419	HEAT EXCHANGER ASSY (M1)	
151	0257F00420	HEAT EXCHANGER ASSY (M2)	
151	0257F00421	HEAT EXCHANGER ASSY (M3)	
151	0257F00429	HEAT EXCHANGER ASSY (M4)	
161	M0326804	TUBE PLUG	
231	A1781105	CAP-VINYL .500	
241	0154F00043	GASKET ID BLOWER	
261	0121F00317	REAR COVER (M1, M2, M3)	
261	0121F00318	REAR COVER (M4)	
271	0154F00037	REAR COVER GASKET (M1, M2, M3)	
271	0154F00038	REAR COVER GASKET (M4)	
371	20162904	*PRIMARY LIMIT-TEMPERATURE CONTROL (M3)	
371	20162906	PRIMARY LIMIT - WHITE (M1, M2, M4)	
NS	0154F00041	GASKET FRESH AIR	
NS	0121F00583	INSULATION, RETAINER (M1, M2, M3)	
NS	0121F00584	INSULATION, RETAINER (M4)	
NS	0121F00439	PRIMARY LIMIT-HEAT SHIELD	
NS	0121F00542	SHIELD, BURNER (M4)	
NS	0121F00355	SHIELD, COIL (QTY 2)	

## Expanded Model Nomenclature

M1 - GC9C960403BNAA
M2 - GC9C960603BNAA
M3 - GC9C960803BNAA
M4 - GC9C961005CNAA