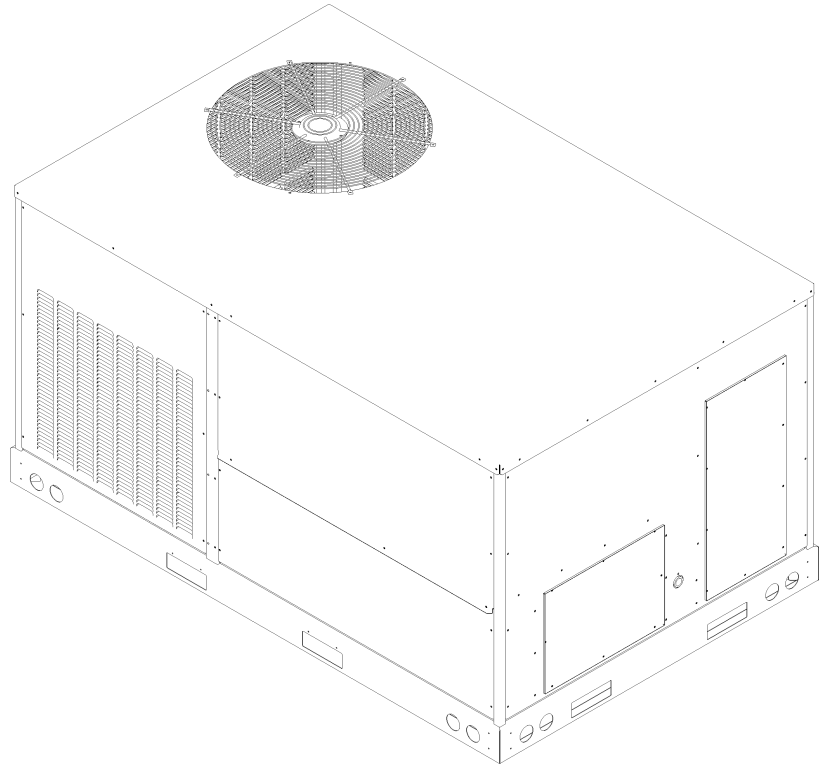


Commercial 5 Ton Package Gas Unit

DSG0600903BAXNAA
DSG0600903BHDDAA
DSG0600903BHXBAA
DSG0600903BJXBAA
DSG0600903BRBAAA
DSG0600903BRLTAA
DSG0600903BWXGAA
DSG0600903BXDXAA
DSG0600903BXSBA
DSG0600903BXXAAA
DSG0600903BXXXAA
DSG0600904BHXBAA
DSG0600904BRSCAA
DSG0600904BVXMAA
DSG0600904BWSFAA
DSG0600904BWXXAA
DSG0600904BXXXAA
DSG0601153BXXXAA
DSG0601154BXXXAA
DSG0601403BXDXAA
DSG0601403BXXDAA
DSG0601403BXXQAA
DSG0601403BXXXAA
DSG0601403BXXZAA
DSG0601404BWXAAA
DSG0601404BXXXAA
DSG0601407BHDAAA
DSG0601407BXDXAA
DSG0601407BXSXAA
DSG0601407BXXXAA



This manual is to be used by qualified technicians only.

This manual replaces RP-D1115D.

© 2016 - 2017 **DAIKIN COMPANY, L.P.** ♦ 5151 San Felipe St., Suite 500 ♦ Houston, TX 77056

Important Information

Index

Functional Parts List	3
Illustration and Parts	4 - 17

Views shown are for parts illustrations only, not servicing procedures

Text Codes:

AR - As Required

NA - Not Available

NS - Not Shown

00000000 - See Note

QTY - Quantity Example (QTY 3) (If Quantity not shown, Quantity = 1)

M - Model Example (M1) (If M Code not shown, then part is used on all Models)

Expanded Model Nomenclature:

Example M1 - Model#1 M2 - Model#2 M3 - Model#3

Daikin Company, L.P. is not responsible for personal injury or property damage resulting from improper service. Review all service information before beginning repairs.

Warranty service must be performed by an authorized technician, using authorized factory parts. If service is required after the warranty expires, Daikin Company, L.P. also recommends contacting an authorized technician and using authorized factory parts.

Daikin Company, L.P. reserves the right to discontinue, or change at any time, specifications or designs without notice or without incurring obligations.

For assistance within the U.S.A. contact:

Equipment Support
Daikin North America, LLC
19001 Kermier Road
Waller, Texas 77484
855-770-5678-Telephone
713-863-2382-Facsimile

For assistance outside the U.S.A. contact:

International Division
Daikin North America, LLC
19001 Kermier Road
Waller, Texas 77484
713-861-2500-Telephone
713-863-2382-Facsimile

Functional Parts

Part

No: Description:

Part No:	Description:	Part No:	Description:
0130M00025	24V RELAY	20162904	PRIMARY LIMIT-TEMPERATURE CONTROL (M18, M19)
20269903	AUXILIARY LIMIT, AUTO RESET (M15)	20162905	PRIMARY LIMIT-YELLOW (M1, M2, M3, M4, M5, M6, M7, M8, M9, M10, M11, M12, M13, M14, M16, M17, M20, M21, M22, M23, M24, M25, M26, M27, M28, M29, M30)
10735102	BECKETT BURNER (QTY 4)	0130M00038	TERMINAL BOARD
B1368056	BELT DRIVE BLOWER WHEEL	0130M00274	TERMINAL BOARD (M5, M6, M13)
CAP100000440LA	CAP 10 MFD/440V/OVAL (M1, M2, M3, M4, M7, M8, M9, M10, M11, M18, M20, M21, M22, M23, M24)	0130M00275	TERMINAL BOARD (M5, M6, M13)
CAP100000370LA	CAPACITOR 10/370V (M5, M6)	0130M00138	TRANSFORMER 208/230, 24V (M1, M2, M3, M4, M5, M6, M7, M8, M9, M10, M11, M18, M20, M21, M22, M23, M24)
CAP050000370LA	CAPACITOR 5/370V (M14, M15)	0130M00146	TRANSFORMER 480V TO 230V, 150VA (M12, M13, M14, M15, M16, M17, M19, M25, M26)
CAP050000440LA	CAPACITOR 5/440V (M12, M13, M16, M17, M19, M25, M26, M27, M28, M29, M30)	0130M00145	TRANSFORMER 480V to 24V, 75VA (M12, M13, M14, M15, M16, M17, M19, M25, M26)
ZP51K5ETF5130	COMPRESSOR 51000, 208/230/60/3 (M1, M2, M3, M4, M5, M6, M7, M8, M9, M10, M11, M18, M20, M21, M22, M23, M24)	0130M00147	TRANSFORMER 575V TO 230V, 150VA (M27, M28, M29, M30)
ZP51K5ETFD130	COMPRESSOR 51000, 460/60/3 (M12, M13, M14, M15, M16, M17, M19, M25, M26)	0130M00148	TRANSFORMER 575V to 24V, 75VA (M27, M28, M29, M30)
ZP51K5ETFE130	COMPRESSOR 51000, 575/60/3 (M27, M28, M29, M30)		
CONT3P025024V	CONTACTOR 25 AMP, 3P, 24V (M12, M13, M14, M15, M16, M17, M19, M25, M26, M27, M28, M29, M30)		
CONT3P030024V	CONTACTOR 30 AMP, 3P, 24V (M1, M2, M3, M4, M5, M6, M7, M8, M9, M10, M11, M18, M20, M21, M22, M23, M24)		
0259L00368	CURRENT SWITCH WITH TERMS (M5, M6, M13)		
0130M00074	CUT-OUT SWITCH, HIGH PRESSURE		
0130M00087	CUT-OUT SWITCH, LOW PRESSURE		
PCBCG100	DDC Controller (M5, M6, M13)		
0130L00112	Duct Temp Sensor (M5, M6, M13)		
0164L00010	FAN BELT, NOTCHED		
0150G00004	FAN BLADE		
0130F00010	FLAME SENSOR		
0151F00000P	GAS VALVE - WHITE-RODGERS 2-STAGE		
PCBAG123	IGNITION BOARD, DSI INTEGRATED		
20261709	IGNITOR		
10123532	MANUAL RESET LIMIT 350°F		
0131L00079	MOTOR, 1 HP BELT DRIVE (M27, M28, M29, M30)		
0131L00067	MOTOR, 1 HP BELT DRIVE (M1, M2, M3, M4, M5, M6, M7, M8, M9, M10, M11, M12, M13, M14, M15, M16, M17, M18, M19, M20, M21, M22, M23, M24, M25, M26)		
0131M00839	MOTOR, 1/4 HP, OD (M27, M28, M29, M30)		
0131M00838	MOTOR, 1/4 HP, OD (M12, M13, M16, M17, M19, M25, M26)		
0131M00837	MOTOR, 1/4 HP, OD (M1, M2, M3, M4, M5, M6, M7, M8, M9, M10, M11, M18, M20, M21, M23, M24)		
0131L00062	MOTOR, COND, 1/4 HP, 460V (M14, M15)		
0130L00108	OD Air Temp Sensor (M5, M6, M13)		
0130L00105	PHASE MONITOR (M5, M6)		
11112501	PRESSURE SWITCH		
20162903	PRIMARY LIMIT - BLUE (M6)		
0130M00063	PRIMARY LIMIT - GOLD 140° (M1, M2, M3, M4, M5, M7, M8, M9, M10, M11, M12, M13, M14, M15, M16, M17)		
0130F00037	PRIMARY LIMIT - GRAY 150° (M18, M19)		
0130F00035	PRIMARY LIMIT - PURPLE 220° (M20, M21, M22, M23, M24, M25, M26, M27, M28, M29, M30)		

Expanded Model Nomenclature

M1 - DSG0600903BAXNAA
M2 - DSG0600903BHDDAA
M3 - DSG0600903BHXBAA
M4 - DSG0600903BJXBAA
M5 - DSG0600903BRBAAA
M6 - DSG0600903BRLTAA
M7 - DSG0600903BWXXGAA
M8 - DSG0600903BXDXAA
M9 - DSG0600903BXSBA
M10 - DSG0600903BXXAAA
M11 - DSG0600903BXXXAA
M12 - DSG0600904BHXBAA
M13 - DSG0600904BRSCAA
M14 - DSG0600904BVXMAA
M15 - DSG0600904BWSFAA
M16 - DSG0600904BWXXAA
M17 - DSG0600904BXXXAA
M18 - DSG0601153BXXXAA
M19 - DSG0601154BXXXAA
M20 - DSG0601403BXDXAA
M21 - DSG0601403BXXDAA
M22 - DSG0601403BXXQAA
M23 - DSG0601403BXXXAA
M24 - DSG0601403BXXZAA
M25 - DSG0601404BWXXAA
M26 - DSG0601404BXXXAA
M27 - DSG0601407BHDAAA
M28 - DSG0601407BXDXAA
M29 - DSG0601407BXSXAA
M30 - DSG0601407BXXXAA

Top Panel and Tubing Assembly

IMAGE 1

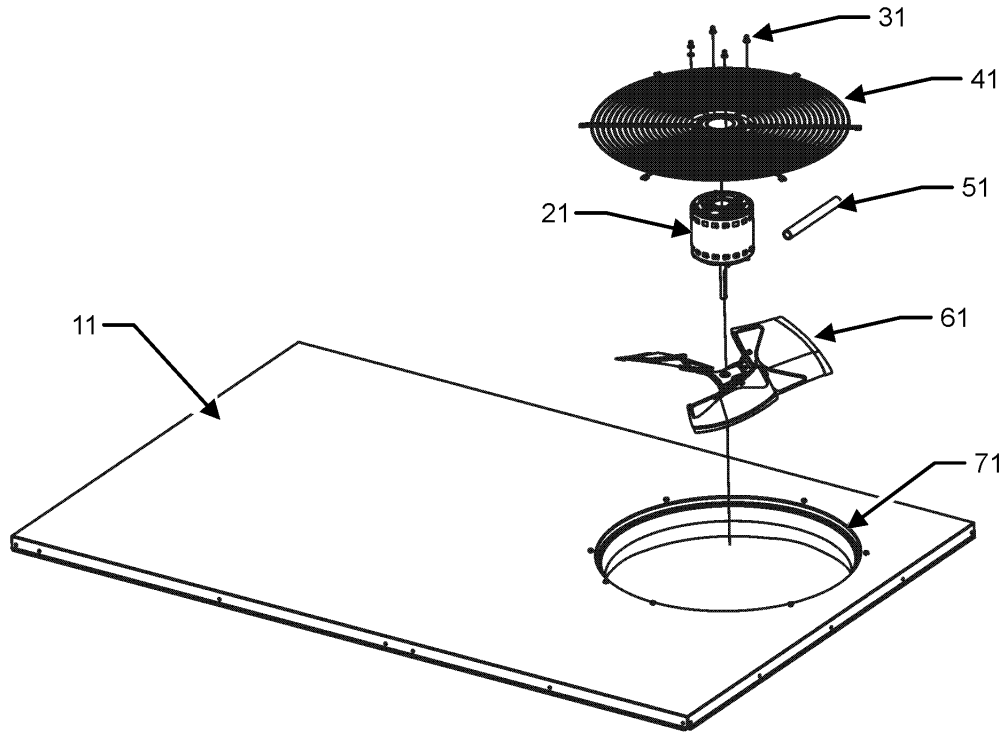
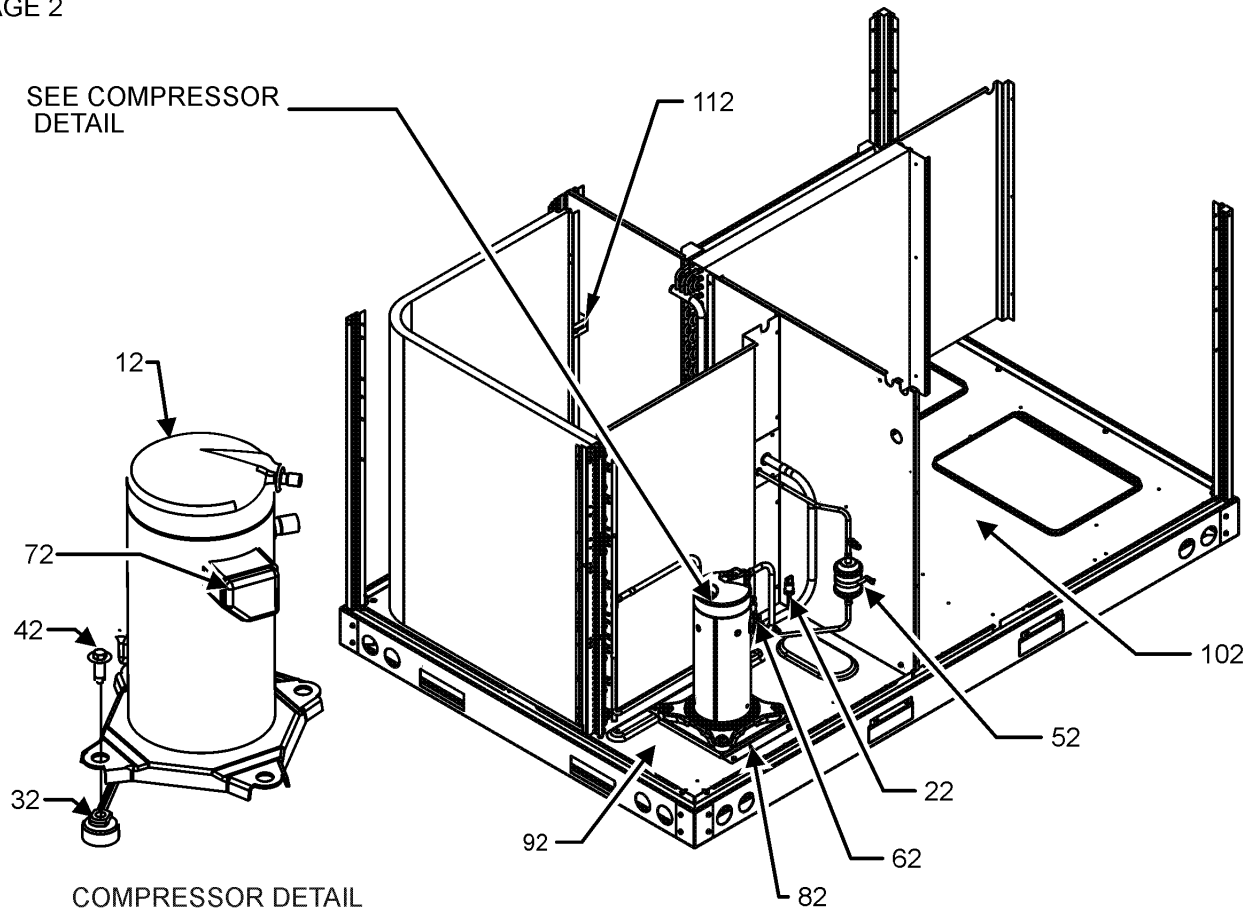


IMAGE 2



Top Panel and Tubing Assembly

Ref. Part No: No:	Description:	Ref. Part No: No:	Description:
Image 1:		Expanded Model Nomenclature	
11	0121L00235NG TOP PANEL	M1	- DSG0600903BAXNAA
21	0131L00061 MOTOR, 1/4 HP, 1SP, 6PL (M22)	M2	- DSG0600903BHDDAA
21	0131M00837 MOTOR, 1/4 HP, OD (M1, M2, M3, M4, M5, M6, M7, M8, M9, M10, M11, M18, M20, M21, M23, M24)	M3	- DSG0600903BHXBAA
21	0131M00838 MOTOR, 1/4 HP, OD (M12, M13, M16, M17, M19, M25, M26)	M4	- DSG0600903BJXBAA
21	0131M00839 MOTOR, 1/4 HP, OD (M27, M28, M29, M30)	M5	- DSG0600903BRBAAA
21	0131L00062 MOTOR, COND, 1/4 HP, 460V (M14, M15)	M6	- DSG0600903BRLTAA
31	0163M00006P ACORN NUT 5/16 HEX BLACK (QTY 4)	M7	- DSG0600903BWXGAA
41	0152G00000 FAN GRILLE, RAISED	M8	- DSG0600903BXDXAA
51	17788000083F PVC CONDUIT 8.25"	M9	- DSG0600903BXSBA
61	0150G00004 FAN BLADE	M10	- DSG0600903BXXAAA
71	0161L00000 VENTURI RING 22"	M11	- DSG0600903BXXXAA
NS	0163M00004 SCREW #10X3/4", BLACK (QTY 8)	M12	- DSG0600904BHXBAA
NS	0163M00005P WASHER, BLACK (.50 OD .218ID) (QTY 4)	M13	- DSG0600904BRSCAA
Image 2:		M14	- DSG0600904BVXMAA
12	ZP51K5ETF5130 COMPRESSOR 51000, 208/230/60/3 (M1, M2, M3, M4, M5, M6, M7, M8, M9, M10, M11, M18, M20, M21, M22, M23, M24)	M15	- DSG0600904BWSFAA
12	ZP51K5ETFD130 COMPRESSOR 51000, 460/60/3 (M12, M13, M14, M15, M16, M17, M19, M25, M26)	M16	- DSG0600904BWXAAA
12	ZP51K5ETFE130 COMPRESSOR 51000, 575/60/3 (M27, M28, M29, M30)	M17	- DSG0600904BXXXAA
22	0130M00087 CUT-OUT SWITCH, LOW PRESSURE	M18	- DSG0601153BXXXAA
32	B1339533 COMPRESSOR GROMMET (QTY 4)	M19	- DSG0601154BXXXAA
42	M0221641 TF SHOULDER SCREW (QTY 4)	M20	- DSG0601403BXDXAA
52	0162R00009 FILTER DRIER	M21	- DSG0601403BXXDAA
62	0130M00074 CUT-OUT SWITCH, HIGH PRESSURE	M22	- DSG0601403BXXQAA
72	0159L00065 COMPRESSOR SCROLL HARNESS	M23	- DSG0601403BXXXAA
82	0121L00310 COMPRESSOR MOUNTING PLATE	M24	- DSG0601403BXXZAA
92	0121L01990 BASE PAN, OUTDOOR	M25	- DSG0601404BWXAAA
102	0121L00943 BASE PAN-INDOOR	M26	- DSG0601404BXXXAA
112	0121L00936 BRACKET-HAIRPIN END	M27	- DSG0601407BHDAAA
NS	B1373315 ACCESS FITTING (QTY 2)	M28	- DSG0601407BXDXAA
NS	0141L00003X FORK BOARD (QTY 2)	M29	- DSG0601407BXSXAA
NS	0121L00055 FORK BOARD BRACKET (QTY 4)	M30	- DSG0601407BXXXAA

Cabinet Assembly

IMAGE 1

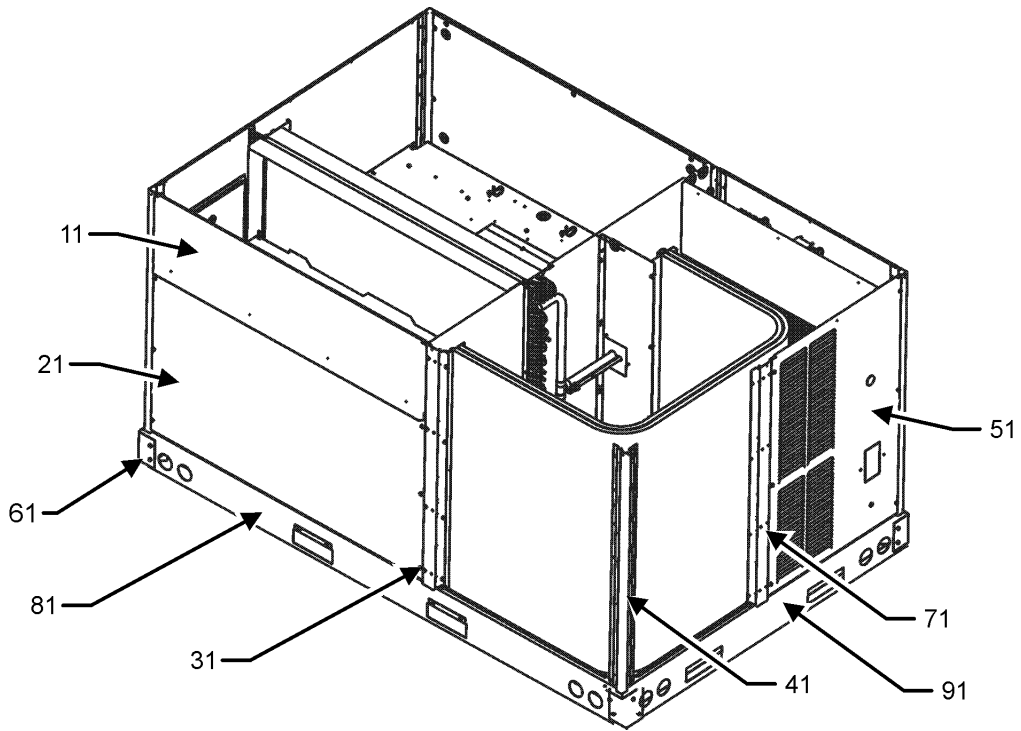
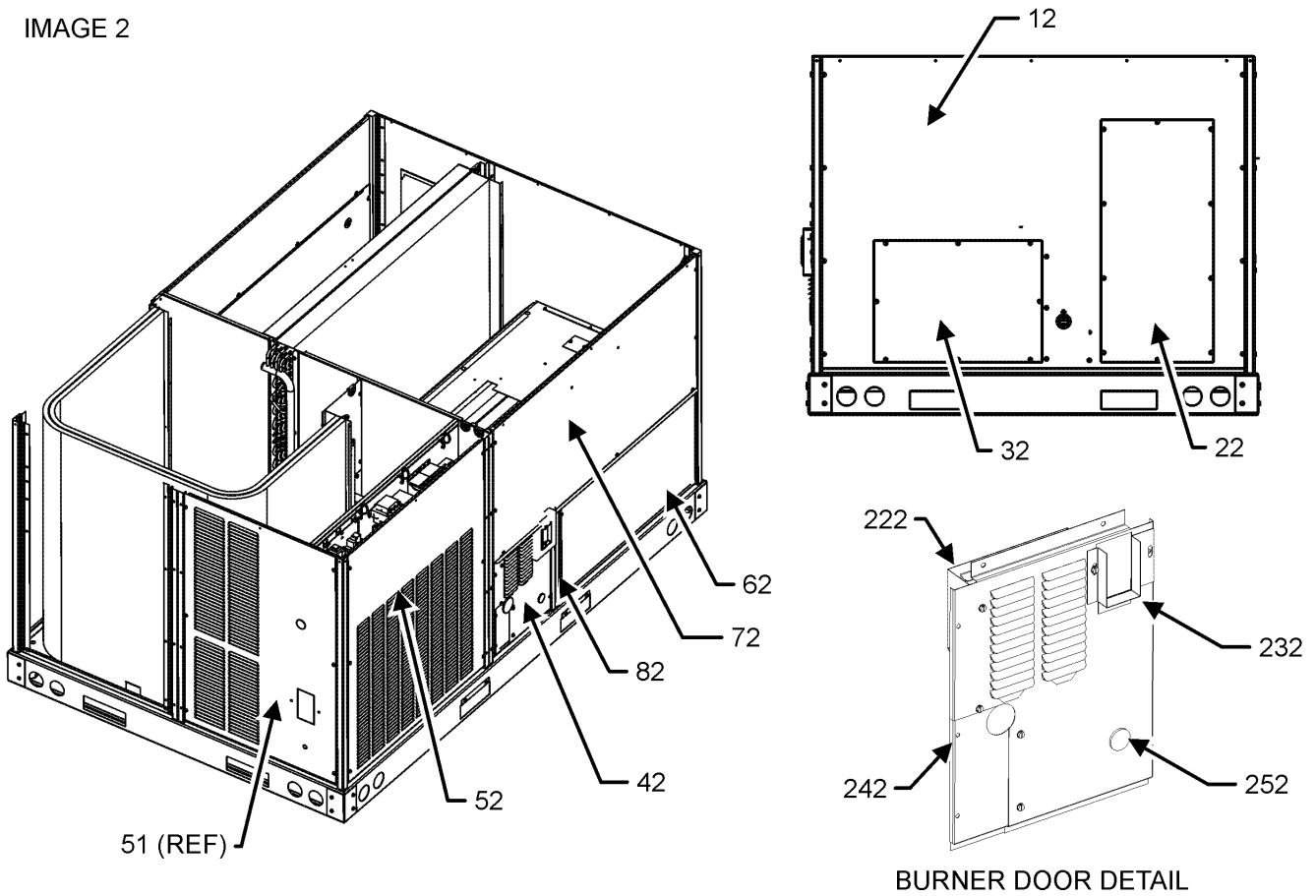


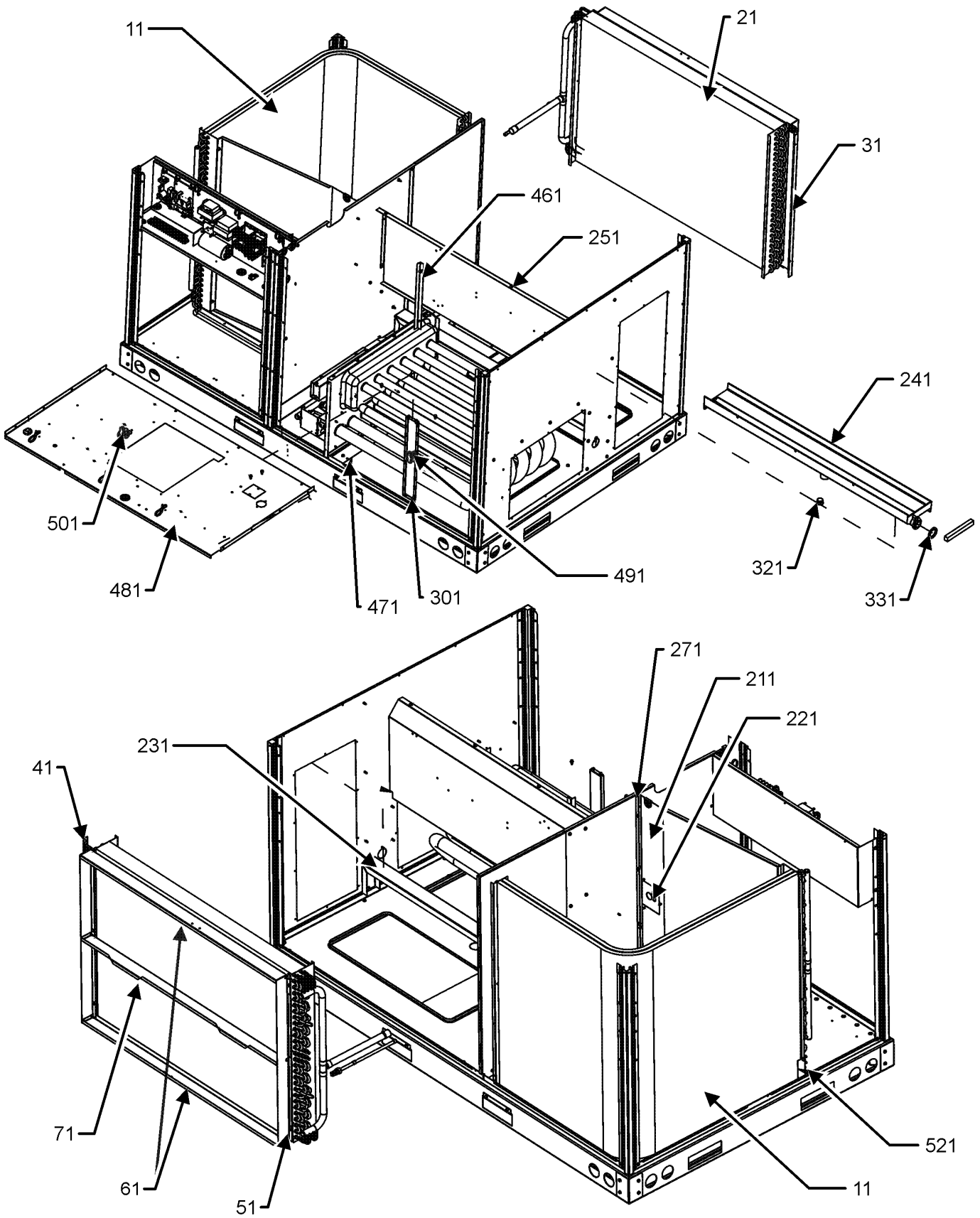
IMAGE 2



Cabinet Assembly

Ref. Part No: No:	Description:	Ref. Part No: No:	Description:
Image 1:		Expanded Model Nomenclature	
11	0270L00362NG FILTER DOOR	M1	- DSG0600903BAXNAA
21	0121L00976NG ECONOMIZER DOOR (M2, M3, M7, M8, M9, M10, M11, M12, M14, M15, M16, M17, M18, M19, M20, M21, M22, M23, M24, M25, M26, M27, M28, M29, M30)	M2	- DSG0600903BHDDAA
31	0121L00233RFNG POST-SIDE SUPPORT (QTY 2)	M3	- DSG0600903BHXBAA
41	0121L00237RFNG CORNER POST (QTY 4)	M4	- DSG0600903BJXBAA
41	0121L01935RFNG PNT, ROLL FORMED POST CORNER (M2, M6, M8, M20, M27, M28)	M5	- DSG0600903BRBAAA
51	0121L00263NG LOUVERED COMPRESSOR PANEL (M1, M8, M9, M10, M11, M14, M17, M18, M19, M20, M21, M22, M23, M24, M26, M28, M29, M30)	M6	- DSG0600903BRLTAA
51	0121L00836NG LOUVERED COMPRESSOR PANEL (M2, M3, M4, M5, M6, M7, M12, M13, M15, M16, M25, M27)	M7	- DSG0600903BWXGAA
61	0121G00301 RAIL CORNER BRACKET (QTY 4)	M8	- DSG0600903BXDXAA
71	0121L01374RFNG PNT, RL FMD SIDE POST SUPPORT (M2, M6, M8, M20, M27, M28)	M9	- DSG0600903BXSBA
71	0121L01159RFNG POST-SIDE SUPPORT (M1, M3, M4, M5, M7, M9, M10, M11, M12, M13, M14, M15, M16, M17, M18, M19, M21, M22, M23, M24, M25, M26, M29, M30)	M10	- DSG0600903BXXAAA
81	0121L00244RF SIDE RAIL (QTY 2)	M11	- DSG0600903BXXXAA
91	0121L00245 END RAIL (QTY 2)	M12	- DSG0600904BHXBAA
NS	0121L01309 ECONOMIZER COVER (M1, M4, M5, M6, M13)	M13	- DSG0600904BRSCAA
NS	0164L00009 GASKET-RUBBER, CPOST (QTY 3)	M14	- DSG0600904BVXMAA
NS	0164L00011 GASKET-RUBBER, SIDE POST (QTY 3)	M15	- DSG0600904BWSFAA
Image 2:		M16	- DSG0600904BWXAAA
12	0121L00236NG DUCT PANEL	M17	- DSG0600904BXXXAA
22	0121L00023NG RETURN DUCT COVER	M18	- DSG0601153BXXXAA
32	0121L00024NG SUPPLY DUCT COVER	M19	- DSG0601154BXXXAA
42	0121L01438NG BURNER DOOR	M20	- DSG0601403BXDXAA
52	0121L01121NG LOUVERED CONTROL PANEL (M1, M3, M4, M5, M7, M9, M10, M11, M12, M13, M14, M15, M16, M17, M18, M19, M21, M22, M23, M24, M25, M26, M29, M30)	M21	- DSG0601403BXXDAA
52	0121L01327NG LOUVERED CONTROL PANEL (M2, M6, M8, M20, M27, M28)	M22	- DSG0601403BXXQAA
62	0121L01108NG HEAT EXCHANGER DOOR	M23	- DSG0601403BXXXAA
72	0121L01157NG BLOWER DOOR	M24	- DSG0601403BXXZAA
82	0121L01110RFNG BURNER POST (M1, M2, M6, M8, M20, M27, M28)	M25	- DSG0601404BWXAAA
222	0121L01439 RAIN SHIELD DOOR	M26	- DSG0601404BXXXAA
232	0121L01440NG FLUE COLLAR	M27	- DSG0601407BHDAAA
242	0121L01441NG BURNER DOOR PANEL	M28	- DSG0601407BXDXAA
252	B1392139 VIEW PORT BUSHING-BLOWER DOOR	M29	- DSG0601407BXSXAA
NS	B1910012 GAS LINE GROMMET (M2, M6, M8, M20, M27, M28)	M30	- DSG0601407BXXXAA

Partition Assembly

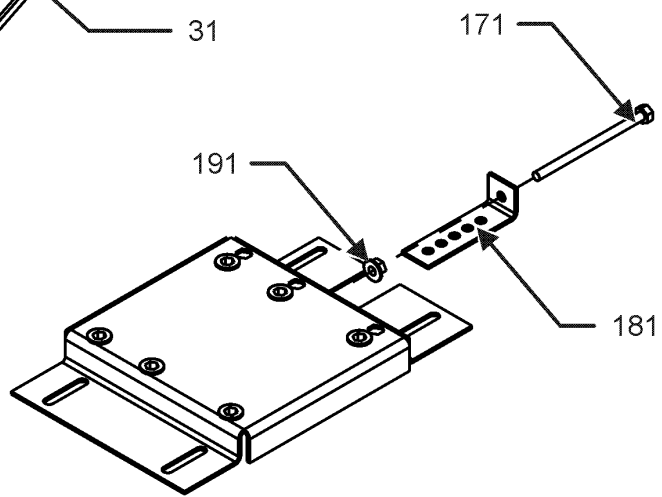
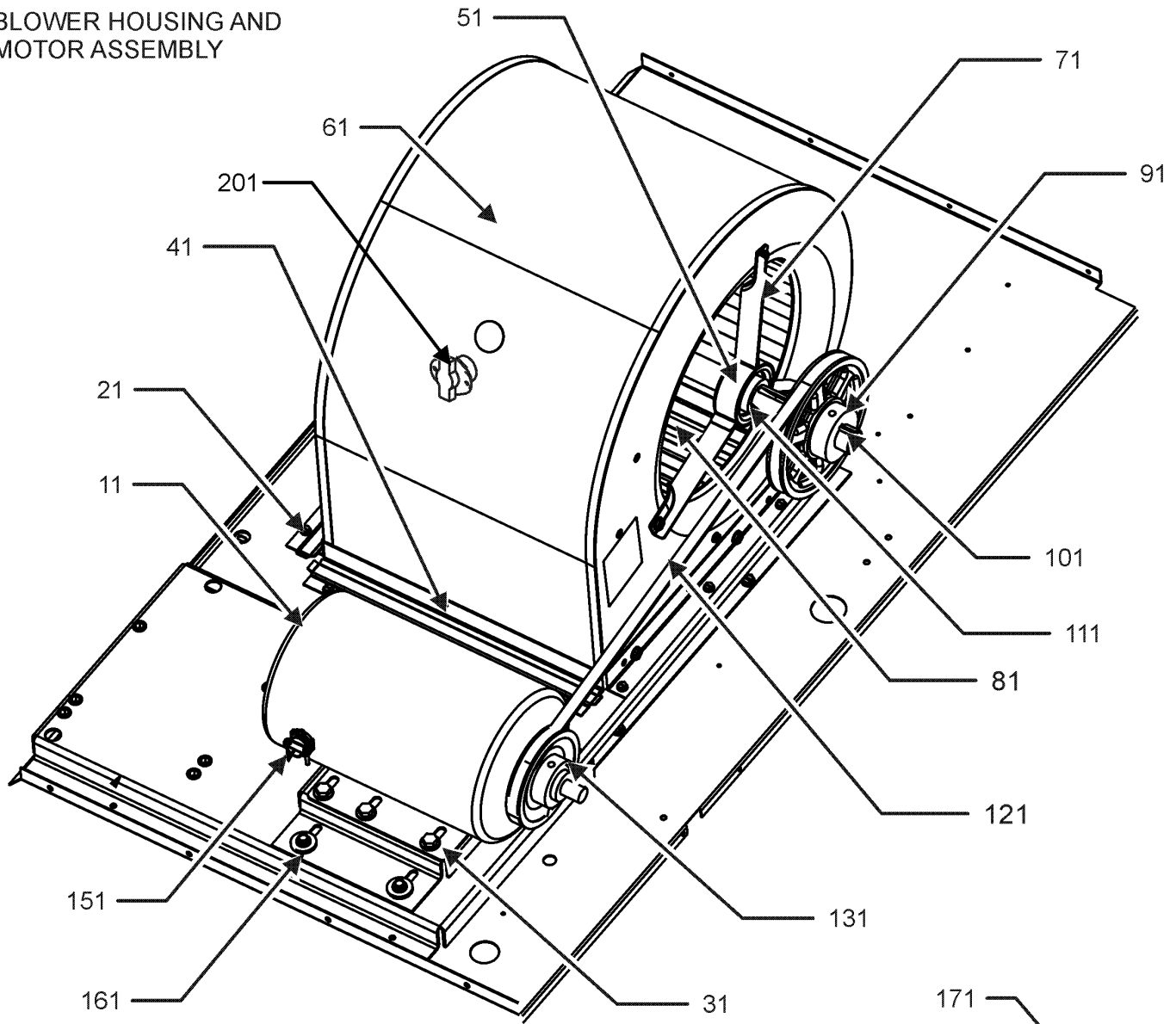


Partition Assembly

Ref. Part No:	Description:	Ref. Part No:	Description:
Image 1:		Expanded Model Nomenclature	
11	0201L00141 TUBING ASSY, COND COIL	M1	- DSG0600903BAXNAA
21	0202L00020 TUBING ASSY, EVAP COIL	M2	- DSG0600903BHDDAA
31	0121L00252 BLOCKOFF-EVAPORATOR (M1, M2, M3, M4, M5, M6, M7, M8, M9, M10, M11, M12, M13, M14, M15, M16, M17, M18, M19, M20, M21, M22, M23, M25, M26, M27, M28, M29, M30)	M3	- DSG0600903BHXBAA
31	0121L00337 BLOCKOFF-EVAPORATOR (M24)	M4	- DSG0600903BJXBAA
41	0121L00303 FILTER ANGLE-VERTICAL (HAIRPIN SIDE)	M5	- DSG0600903BRBAAA
51	0121L00287 FILTER ANGLE-VERTICAL (RETURN SIDE)	M6	- DSG0600903BRLTAA
61	0121L00932 FILTER ANGLE-HORIZONTAL (QTY 2)	M7	- DSG0600903BWXGAA
71	0121L01255 ANGLE-FILTER CENTER	M8	- DSG0600903BXDXAA
211	0121L00882 BLOCKOFF-CONDENSER	M9	- DSG0600903BXSBA
221	0121L00939 CONDENSER BLOCKOFF PLATE	M10	- DSG0600903BXXAAA
231	0121L00238 DRAIN PAN SUPPORT	M11	- DSG0600903BXXXAA
241	0161L00005 DRAIN PAN	M12	- DSG0600904BHXBAA
251	0121L00243 DECK SIDE CHANNEL	M13	- DSG0600904BRSCAA
271	0121L00254 COND MOUNTING ANGLE	M14	- DSG0600904BVXMAA
301	0121L00300 SUPPORT POST-DECK	M15	- DSG0600904BWSFAA
321	0163L00071 DRAIN PLUG	M16	- DSG0600904BWXAAA
331	0154L00009 DRAIN PAN GASKET	M17	- DSG0600904BXXXAA
461	0121L00293 BACK ANGLE-HEAT EXCHANGER (QTY 2)	M18	- DSG0601153BXXXAA
471	0121L00266 HEAT PANEL CHANNEL (QTY 2)	M19	- DSG0601154BXXXAA
481	0121L01575 BLOWER DECK	M20	- DSG0601403BXDXAA
491	20162903 PRIMARY LIMIT - BLUE (M6)	M21	- DSG0601403BXXDAA
491	0130M00063 PRIMARY LIMIT - GOLD 140° (M1, M2, M3, M4, M5, M7, M8, M9, M10, M11, M12, M13, M14, M15, M16, M17)	M22	- DSG0601403BXXQAA
491	0130F00035 PRIMARY LIMIT - PURPLE 220° (M20, M21, M22, M23, M24, M25, M26, M27, M28, M29, M30)	M23	- DSG0601403BXXXAA
501	20162904 PRIMARY LIMIT-TEMPERATURE CONTROL (M18, M19)	M24	- DSG0601403BXXZAA
521	0121L00937 BRACKET-COND TIE DOWN	M25	- DSG0601404BWXAAA
NS	0160L00173 AIR FILTER 14 X 20 X 2 (QTY 4)	M26	- DSG0601404BXXXAA
NS	0121L01377 BLOWER DECK SUPPORT (M2, M6, M8, M20, M27, M28)	M27	- DSG0601407BHDAAA
NS	A4568804 GROMMET-D (QTY 4)	M28	- DSG0601407BXDXAA
NS	0121L00321 SMOKE DETECTOR COVER	M29	- DSG0601407BXSXAA
		M30	- DSG0601407BXXXAA

Belt Drive Assembly

BLOWER HOUSING AND
MOTOR ASSEMBLY



MOUNTING PLATE ASSEMBLY

Belt Drive Assembly

**Ref. Part
No: No:**

Description:

**Ref. Part
No: No:**

Description:

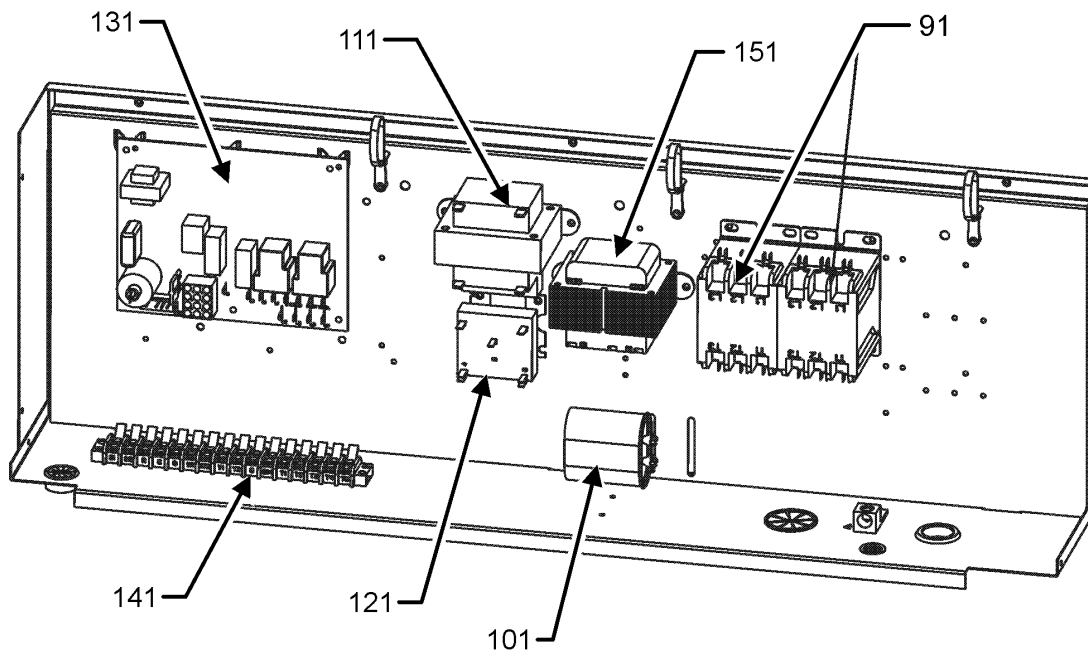
Image 1:

11	0131L00067	MOTOR, 1 HP BELT DRIVE (M1, M2, M3, M4, M5, M6, M7, M8, M9, M10, M11, M12, M13, M14, M15, M16, M17, M18, M19, M20, M21, M22, M23, M24, M25, M26)
11	0131L00079	MOTOR, 1 HP BELT DRIVE (M27, M28, M29, M30)
21	0121L00297	BLOWER SIDE ANGLE (QTY 3)
31	0121L01619	MOTOR BASE
41	0121L00281	BLOWER MOUNTING ANGLE
51	0163L00005	BELT DRIVE BLOWER SHAFT
61	2539302F	BLOWER HOUSING 11 X 10
71	B3201300	MOUNTING BRACKET BEARING (QTY 2)
81	B1368056	BELT DRIVE BLOWER WHEEL
91	0163L00138	SHEAVE, FIXED AK61H
101	B1398604	STEEL KEY (000158812) 2.0"
111	B1399500	BALL BEARING 1.00" (QTY 2)
121	0164L00010	FAN BELT, NOTCHED
131	0163L00012	VARIABLE PITCH SHEAVE VL40
151	B1393726	ELECT. CONNECTING BUSHING
161	B1393738	BOLT 1/4-20 X 3/4" (QTY 4)
171	0163M00045	BOLT 1/4-20 X 4"
181	3225000F	BELT TIGHTENER ANGLE
191	B1393023	NUT / LOCK .25-20
201	20269903	AUXILIARY LIMIT, AUTO RESET (M15)
201	0130F00037	PRIMARY LIMIT - GRAY 150° (M18, M19)
201	20162905	PRIMARY LIMIT-YELLOW (M1, M2, M3, M4, M5, M6, M7, M8, M9, M10, M11, M12, M13, M14, M16, M17, M20, M21, M22, M23, M24, M25, M26, M27, M28, M29, M30)
NS	1864703F	BLOWER CUT-OFF
NS	B1398603	STEEL KEY (000158812) 4.5"

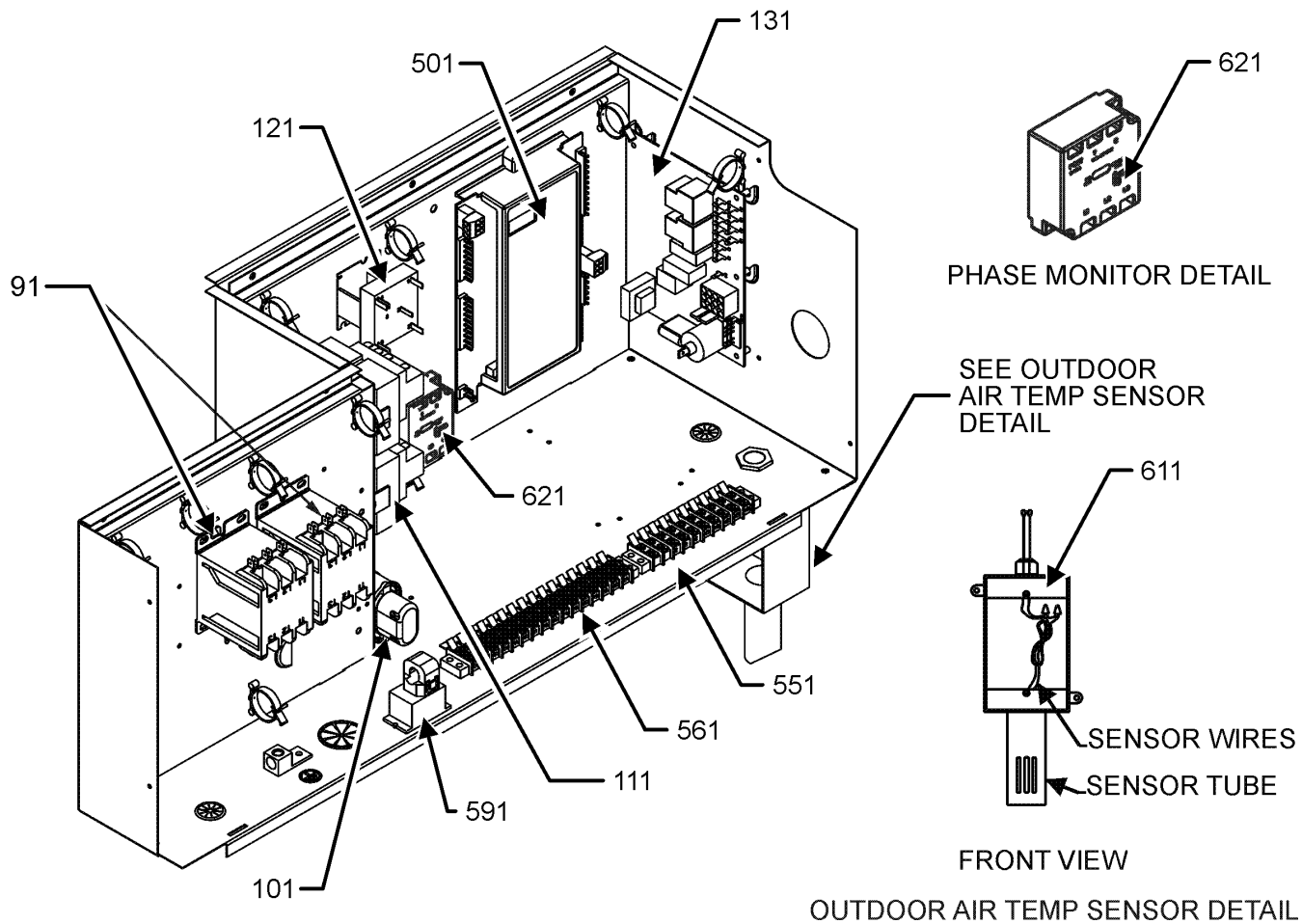
Expanded Model Nomenclature

M1 - DSG0600903BAXNAA
M2 - DSG0600903BHDDAA
M3 - DSG0600903BHXBAA
M4 - DSG0600903BJXBAA
M5 - DSG0600903BRBAAA
M6 - DSG0600903BRLTAA
M7 - DSG0600903BWXGAA
M8 - DSG0600903BXDXAA
M9 - DSG0600903BXSBA
M10 - DSG0600903BXXAAA
M11 - DSG0600903BXXXAA
M12 - DSG0600904BHXBAA
M13 - DSG0600904BRSCAA
M14 - DSG0600904BVXMAA
M15 - DSG0600904BWSFAA
M16 - DSG0600904BWXAAA
M17 - DSG0600904BXXXAA
M18 - DSG0601153BXXXAA
M19 - DSG0601154BXXXAA
M20 - DSG0601403BXDXAA
M21 - DSG0601403BXXDAA
M22 - DSG0601403BXXQAA
M23 - DSG0601403BXXXAA
M24 - DSG0601403BXXZAA
M25 - DSG0601404BWXAAA
M26 - DSG0601404BXXXAA
M27 - DSG0601407BHDAAA
M28 - DSG0601407BXDXAA
M29 - DSG0601407BXSAAA
M30 - DSG0601407BXXXAA

Control Box Assembly



CONTROL BOX FOR MODELS WITH DDC CONTROL/PHASE MONITOR



Control Box Assembly

**Ref. Part
No: No:**

Description:

**Ref. Part
No: No:**

Description:

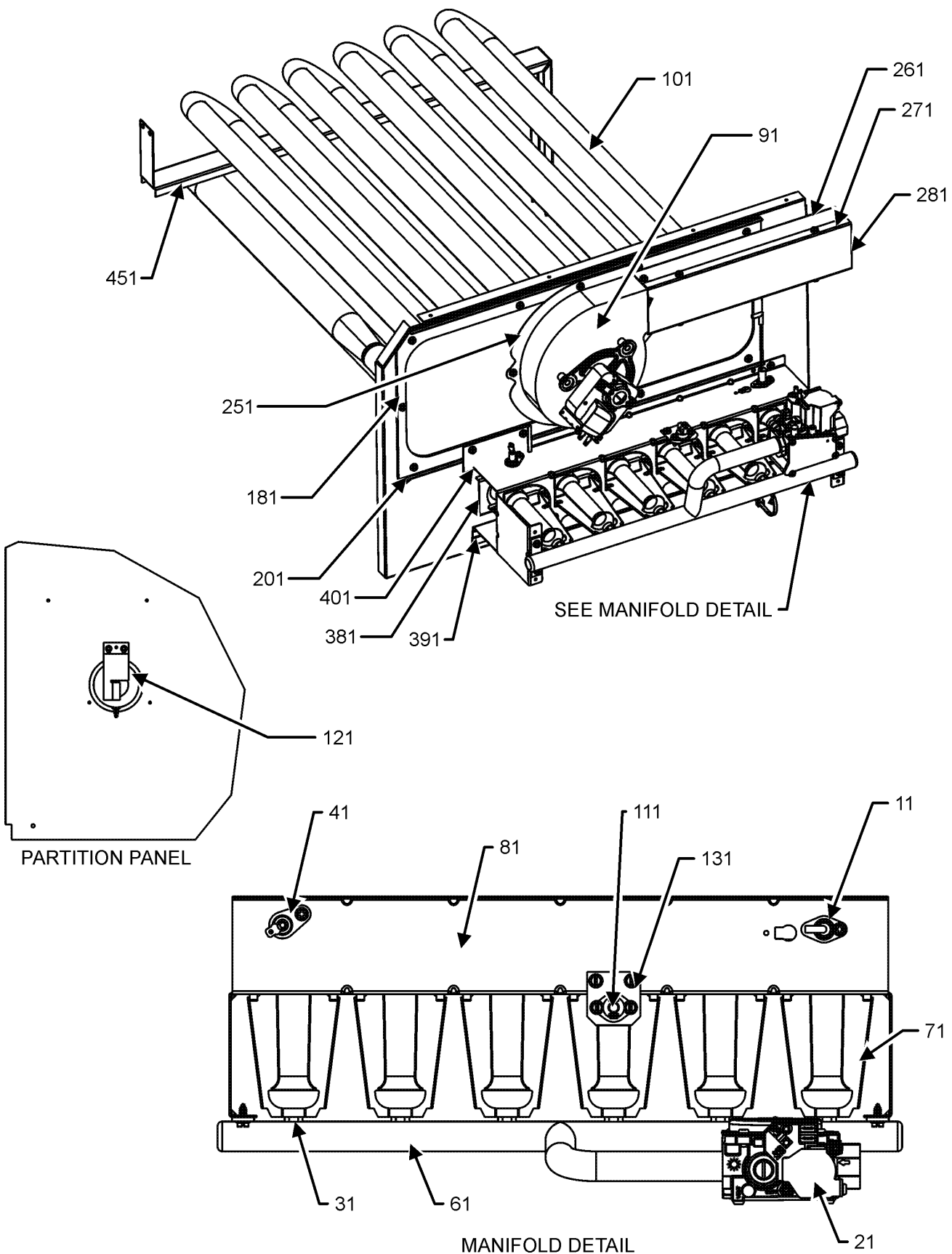
Image 1:

91	CONT3P025024V	CONTACTOR 25 AMP, 3P, 24V (M12, M13, M14, M15, M16, M17, M19, M25, M26, M27, M28, M29, M30)
91	CONT3P030024V	CONTACTOR 30 AMP, 3P, 24V (M1, M2, M3, M4, M5, M6, M7, M8, M9, M10, M11, M18, M20, M21, M22, M23, M24)
101	CAP100000440LA	CAP 10 MFD/440V/OVAL (M1, M2, M3, M4, M7, M8, M9, M10, M11, M18, M20, M21, M22, M23, M24)
101	CAP100000370LA	CAPACITOR 10/370V (M5, M6)
101	CAP050000370LA	CAPACITOR 5/370V (M14, M15)
101	CAP050000440LA	CAPACITOR 5/440V (M12, M13, M16, M17, M19, M25, M26, M27, M28, M29, M30)
111	0130M00138	TRANSFORMER 208/230, 24V (M1, M2, M3, M4, M5, M6, M7, M8, M9, M10, M11, M18, M20, M21, M22, M23, M24)
111	0130M00146	TRANSFORMER 480V TO 230V, 150VA (M12, M13, M14, M15, M16, M17, M19, M25, M26)
111	0130M00148	TRANSFORMER 575V to 24V, 75VA (M27, M28, M29, M30)
121	0130M00025	24V RELAY
131	PCBAG123	IGNITION BOARD, DSI INTEGRATED
141	0130M00038	TERMINAL BOARD
151	0130M00145	TRANSFORMER 480V to 24V, 75VA (M12, M13, M14, M15, M16, M17, M19, M25, M26)
151	0130M00147	TRANSFORMER 575V TO 230V, 150VA (M27, M28, M29, M30)
501	PCBCG100	DDC Controller (M5, M6, M13)
551	0130M00274	TERMINAL BOARD (M5, M6, M13)
561	0130M00275	TERMINAL BOARD (M5, M6, M13)
591	0259L00368	CURRENT SWITCH WITH TERMS (M5, M6, M13)
611	0130L00108	OD Air Temp Sensor (M5, M6, M13)
621	0130L00105	PHASE MONITOR (M5, M6)
NS	0259L00074	CONTROL HARNESS (M1, M2, M3, M4, M5, M6, M7, M8, M9, M10, M11, M18, M20, M21, M22, M23, M24)
NS	0259L00075	CONTROL HARNESS (M12, M13, M14, M15, M16, M17, M19, M25, M26, M27, M28, M29, M30)
NS	0130L00112	Duct Temp Sensor (M5, M6, M13)
NS	0259L00179	HARNESS, ECONOMIZER
NS	0259L00125	HARNESS, WIRING
NS	0259L00092	HARNESS-SMOKE DETECTOR SENSOR (M24)
NS	0259L00427	WIRE ASSY (M5, M6)
NS	0259L00428	WIRE ASSY (M5, M6)
NS	0259L00090	WIRE HARNESS-SMOKE DETECTOR (M24)
NS	0259L00054	WIRING HARNESS (M5, M6, M13)
NS	0259L00065	WIRING HARNESS
NS	0259L00069	WIRING HARNESS
NS	0259L00070	WIRING HARNESS (M22)
NS	0259L00071	WIRING HARNESS (M14, M15)

Expanded Model Nomenclature

M1 - DSG0600903BAXNAA
M2 - DSG0600903BHDDAA
M3 - DSG0600903BHXBAA
M4 - DSG0600903BJXBAA
M5 - DSG0600903BRBAAA
M6 - DSG0600903BRLTAA
M7 - DSG0600903BWXGAA
M8 - DSG0600903BXDXAA
M9 - DSG0600903BXSBA
M10 - DSG0600903BXXAAA
M11 - DSG0600903BXXXAA
M12 - DSG0600904BHXBAA
M13 - DSG0600904BRSCAA
M14 - DSG0600904BVXMAA
M15 - DSG0600904BWSFAA
M16 - DSG0600904BWXAAA
M17 - DSG0600904BXXXAA
M18 - DSG0601153BXXXAA
M19 - DSG0601154BXXXAA
M20 - DSG0601403BXDXAA
M21 - DSG0601403BXXDAA
M22 - DSG0601403BXXQAA
M23 - DSG0601403BXXXAA
M24 - DSG0601403BXXZAA
M25 - DSG0601404BWXAAA
M26 - DSG0601404BXXXAA
M27 - DSG0601407BHDAAA
M28 - DSG0601407BXDXAA
M29 - DSG0601407BXSAAA
M30 - DSG0601407BXXXAA

Heat Exchanger Assembly



Heat Exchanger Assembly

**Ref. Part
No: No:**

Description:

**Ref. Part
No: No:**

Description:

Image 1:

11	20261709	IGNITOR
21	0151F00000P	GAS VALVE - WHITE-RODGERS 2-STAGE
31	0163F00018	ORIFICE (QTY 4)
41	0130F00010	FLAME SENSOR
61	0163L00026	MANIFOLD - 4 BRNR (M1, M2, M3, M4, M5, M6, M7, M8, M9, M10, M11, M12, M13, M14, M15, M16, M17)
61	0163L00029	MANIFOLD - 5 BRNR (M18, M19)
61	0163L00025	MANIFOLD - 6 BRNR (M20, M21, M22, M23, M24, M25, M26, M27, M28, M29, M30)
71	10735102	BECKETT BURNER (QTY 4)
81	20190412	BURNER BRACKET 4B (M1, M2, M3, M4, M5, M6, M7, M8, M9, M10, M11, M12, M13, M14, M15, M16, M17)
81	20190413	BURNER BRACKET 5B (M18, M19)
81	0121F00145	BURNER BRACKET 6B (M20, M21, M22, M23, M24, M25, M26, M27, M28, M29, M30)
91	0131M00121	ID COMBUSTION BLOWER
101	0270L00092	PART/TUBE ASSY 4B (M1, M2, M3, M4, M5, M7, M8, M10, M11, M12, M14, M16, M17)
101	0270L00105	PART/TUBE ASSY 4B (M6, M9, M13, M15)
101	0270L00110	PART/TUBE ASSY 5B (M18, M19)
101	0270L00072	PART/TUBE ASSY 6B (M20, M21, M22, M23, M24, M25, M26, M27, M28, M30)
101	0270L00104	PART/TUBE ASSY 6B (M29)
111	10123532	MANUAL RESET LIMIT 350°F
121	11112501	PRESSURE SWITCH
131	0121L00053	FLAME ROLLOUT BRACKET
181	0154L00018	ID BLOWER PLATE GASKET 4 BRNR (M1, M2, M3, M4, M5, M6, M7, M8, M9, M10, M11, M12, M13, M14, M15, M16, M17)
181	0154L00017	ID BLOWER PLATE GASKET 6 BRNR (M18, M19, M20, M21, M22, M23, M24, M25, M26, M27, M28, M29, M30)
201	0121L00241	ID BLOWER PLATE (M20, M21, M22, M23, M24, M25, M26, M27, M28, M29, M30)
201	0121L00284	ID BLOWER PLATE 4 BRNR (M1, M2, M3, M4, M5, M6, M7, M8, M9, M10, M11, M12, M13, M14, M15, M16, M17)
201	0121L00318	ID BLOWER PLATE 6 BRNR (M18, M19)
251	0154L00020	ID BLOWER GASKET
261	0121L00277	FLUE CHANNEL
271	0121L00278	FLUE SIDE COVER
281	0163L00072	SCREED-FLUE
381	11072203	ORIFICE SHIELD (M1, M2, M3, M4, M5, M6, M7, M8, M9, M10, M11, M12, M13, M14, M15, M16, M17)
381	11072204	ORIFICE SHIELD (M18, M19)
381	11072205	ORIFICE SHIELD (M20, M21, M22, M23, M24, M25, M26, M27, M28, M29, M30)
391	0121L00267	BURNER SLIDE BRACKET
401	0121L00268	RETAINER-BURNER ASSY (M18, M19, M20, M21, M22, M23, M24, M25, M26, M27, M28, M29, M30)
451	0121L00325	BRACKET-HEAT EXCHANGER

Expanded Model Nomenclature

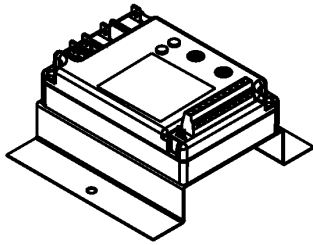
M1 - DSG0600903BAXNAA
M2 - DSG0600903BHDDAA
M3 - DSG0600903BHXBAA
M4 - DSG0600903BJXBAA
M5 - DSG0600903BRBAAA
M6 - DSG0600903BRLTAA
M7 - DSG0600903BWXGAA
M8 - DSG0600903BXDXAA
M9 - DSG0600903BXSBA
M10 - DSG0600903BXXAAA
M11 - DSG0600903BXXXAA
M12 - DSG0600904BHXBAA
M13 - DSG0600904BRSCAA
M14 - DSG0600904BVXMAA
M15 - DSG0600904BWSFAA
M16 - DSG0600904BWXAAA
M17 - DSG0600904BXXXAA
M18 - DSG0601153BXXXAA
M19 - DSG0601154BXXXAA
M20 - DSG0601403BXDXAA
M21 - DSG0601403BXXDAA
M22 - DSG0601403BXXQAA
M23 - DSG0601403BXXXAA
M24 - DSG0601403BXXZAA
M25 - DSG0601404BWXAAA
M26 - DSG0601404BXXXAA
M27 - DSG0601407BHDAAA
M28 - DSG0601407BXDXAA
M29 - DSG0601407BXSAAA
M30 - DSG0601407BXXXAA

Accessory Part List

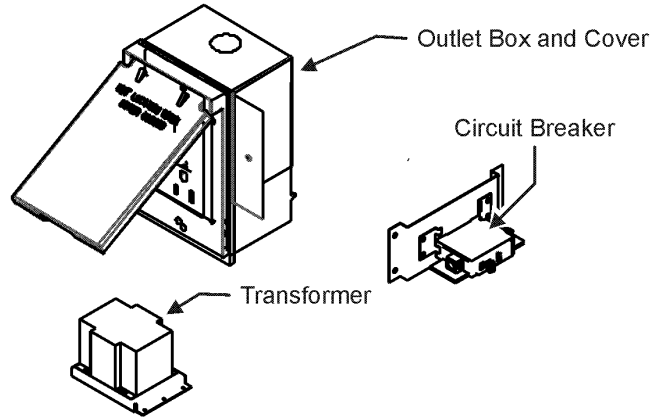
ACCESSORY PARTS LIST

NOTE: NOT ALL OPTIONS AVAILABLE FOR ALL PRODUCTS

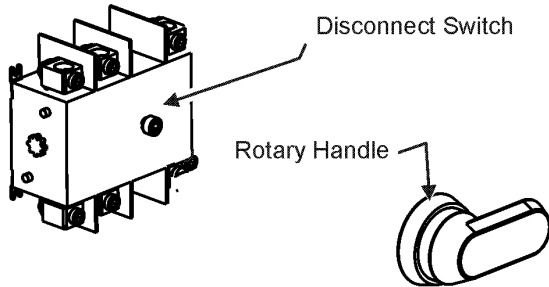
1 LOW AMBIENT KITS



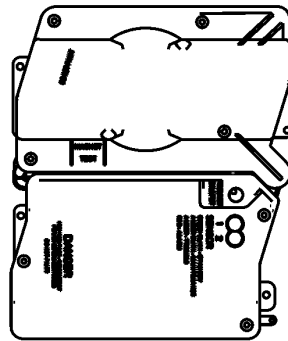
2 GFCI CONVENIENCE OUTLET



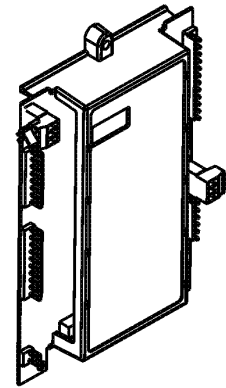
3 DISCONNECT MODULE (NON-FUSED)



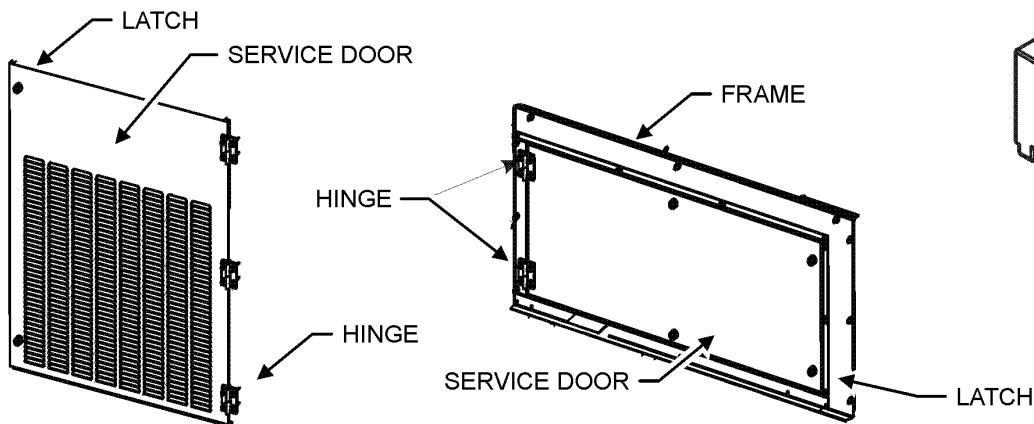
4 SMOKE DETECTORS



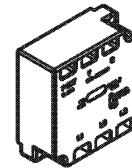
5 DDC CONTROL



6 HINGED DOOR ASSEMBLIES



7 PHASE MONITOR



Accessory Part List

Ref. Part No: No:	Description:	Ref. Part No: No:	Description:
Image 1:		Expanded Model Nomenclature	
NS 1036609C	3-6 TON DFLOW ECONOMIZER (M1, M4)	M1 - DSG0600903BAXNAA	
NS DDNECNJ3672C	3-6 TON DFLOW ECONOMIZER (M7, M14, M15, M16, M25)	M2 - DSG0600903BHDDAA	
NS 10366D09C	3-6 TON DFLOW ECONOMIZER, DDC (M5, M6, M13)	M3 - DSG0600903BHXBAA	
NS 0121L01373NG	BLOWER DOOR FRAME (M2, M6, M8, M20, M27, M28)	M4 - DSG0600903BJXBAA	
NS 0121L01371NG	BLOWER SERVICE DOOR, BACK (M2, M6, M8, M20, M27, M28)	M5 - DSG0600903BRBAAA	
NS 0121L01370NG	BLOWER SERVICE DOOR, FRONT (M2, M6, M8, M20, M27, M28)	M6 - DSG0600903BRLTAA	
NS 0121L01934	BRACKET SMOKE DETECTOR (M24)	M7 - DSG0600903BWXGAA	
NS 0121L00316	BRACKET-CONV OUTLET MOUNT (M1, M3, M4, M5, M6, M7, M9, M10, M12, M14, M15, M22, M25, M27)	M8 - DSG0600903BXDXAA	
NS 0121L00835	BRACKET-DISCONNECT SWITCH (M2, M3, M4, M5, M6, M7, M12, M13, M15, M16, M25, M27)	M9 - DSG0600903BXSBA	
NS 0130M00065	CIRCUIT BREAKER, CONVENIENCE OUTLET (M1, M3, M4, M6, M9, M12, M14, M22)	M10 - DSG0600903BXXAAA	
NS 0121L00837NG	DISCONNECT COVER (M2, M3, M4, M5, M6, M7, M12, M13, M15, M16, M25, M27)	M11 - DSG0600903BXXXAA	
NS 0130L00012	GANG BOX-GFCI OUTLET (M1, M3, M4, M5, M6, M7, M9, M10, M12, M14, M15, M22, M25, M27)	M12 - DSG0600904BHXBAA	
NS 0130L00039	HANDLE, ROTARY (M2, M3, M4, M5, M6, M7, M12, M13, M15, M16, M25, M27)	M13 - DSG0600904BRSCAA	
NS 0163M00307	HINGE, LEFT HAND (M2, M6, M8, M20, M27, M28)	M14 - DSG0600904BVXMAA	
NS 0163M00308	HINGE, RIGHT HAND (M2, M6, M8, M20, M27, M28)	M15 - DSG0600904BWSFAA	
NS 0163M00322	LATCH (M2, M6, M8, M20, M27, M28)	M16 - DSG0600904BWXAAA	
NS 0121L01327NG	LOUVERED CP SERVICE DOOR (M2, M6, M8, M20, M27, M28)	M17 - DSG0600904BXXXAA	
NS 0130M00058	LOW AMBIENT KIT (M22)	M18 - DSG0601153BXXXAA	
NS 0161G00012	POWER OUTLET BOX (M1, M3, M4, M5, M6, M7, M9, M10, M12, M14, M15, M22, M25, M27)	M19 - DSG0601154BXXXAA	
NS 0130L00103	RECEPTACLE-GFCI OUTLET (M1, M3, M4, M5, M6, M7, M9, M10, M12, M14, M15, M22, M25, M27)	M20 - DSG0601403BXDXAA	
NS 0130L00042	SHAFT, CUT (M2, M3, M4, M5, M6, M7, M12, M13, M15, M16, M25, M27)	M21 - DSG0601403BXXDAA	
NS 0130L00049	SHAFT, DISCONNECT (M2, M3, M4, M5, M6, M7, M12, M13, M15, M16, M25, M27)	M22 - DSG0601403BXXQAA	
NS D4120	SMOKE DETECTOR, PHOTO 4WIRE (M24)	M23 - DSG0601403BXXXAA	
NS D4S	SMOKE DETECTOR, SENSOR ONLY (M24)	M24 - DSG0601403BXXZAA	
NS 0130L00046	SWITCH-DISCONNECT 60A (M2, M3, M4, M5, M6, M7, M12, M13, M15, M16, M25, M27)	M25 - DSG0601404BWXAAA	
NS 0130M00061	TRANSFORMER, CONVENIENCE OUTLET (M1, M3, M4, M6, M9, M12, M14, M22)	M26 - DSG0601404BXXXAA	
		M27 - DSG0601407BHDAAA	
		M28 - DSG0601407BXDXAA	
		M29 - DSG0601407BXSXAA	
		M30 - DSG0601407BXXXAA	