

---

**DBC 5 Ton Direct Drive Commercial Package Cooling Unit**

DBC0601D000001SAA

DBC0603D000001SAA



This manual is to be used by qualified technicians only.

# Important Information

---

## Index

Functional Parts List .....	3
Illustration and Parts .....	4 - 15

*Views shown are for parts illustrations only, not servicing procedures*

### Text Codes:

AR - As Required

NA - Not Available

NS - Not Shown

00000000 - See Note

QTY - Quantity Example (QTY 3) (If Quantity not shown, Quantity = 1)

M - Model Example (M1) (If M Code not shown, then part is used on all Models)

### Expanded Model Nomenclature:

Example M1 - Model#1 M2 - Model#2 M3 - Model#3
---

Daikin Company, L.P. is not responsible for personal injury or property damage resulting from improper service. Review all service information before beginning repairs.

Warranty service must be performed by an authorized technician, using authorized factory parts. If service is required after the warranty expires, Daikin Company, L.P. also recommends contacting an authorized technician and using authorized factory parts.

Daikin Company, L.P. reserves the right to discontinue, or change at any time, specifications or designs without notice or without incurring obligations.

For assistance within the U.S.A. contact:

Equipment Support  
Daikin North America, LLC  
19001 Kermier Road  
Waller, Texas 77484  
855-770-5678-Telephone  
713-863-2382-Facsimile

For assistance outside the U.S.A. contact:

International Division  
Daikin North America, LLC  
19001 Kermier Road  
Waller, Texas 77484  
713-861-2500-Telephone  
713-863-2382-Facsimile

# Functional Parts

## Part

**No:**            **Description:**

---

CAP100000370LA    CAP, 10 MFD/370V/OVAL (M2)  
CAP100700440CT    CAP, 10/70 MFD/ 440V/ DUAL RD (M1)  
ZP49K5ETF5130     COMP, 49000/208/230/60/3 (M2)  
ZP49K5EPFV130     COMP,49400,208/230/60/1 (M1)  
CONT2P025024V     CONT, 2 POLE, 25 AMP, 24 VAC  
CONT2P040024V     CONT, 2 POLE, 40 AMP, 24 VAC (M1)  
CONT3P030024V     CONT, 3 POLE, 30 AMP, 24 VAC (M2)  
0150M00057         FAN BLADE 22"  
0130M00280         HIGH PRESSURE SWITCH  
0130M00087         LOW PRESSURE SWITCH  
0131M00430         MOTOR, 1/3 HP, 1 SP, 6 PL  
0131L00230         MOTOR-PROGRAM  
0130M00038         TERMINAL BOARD  
B1370772            TIME DELAY (ICM) 180 SEC DEL  
B1141654            TRANSFORMER,208-240,75VA,RESET

## SPECIAL PARTS

RP-FIOPSC\*         ACCESSORY RP MANUAL

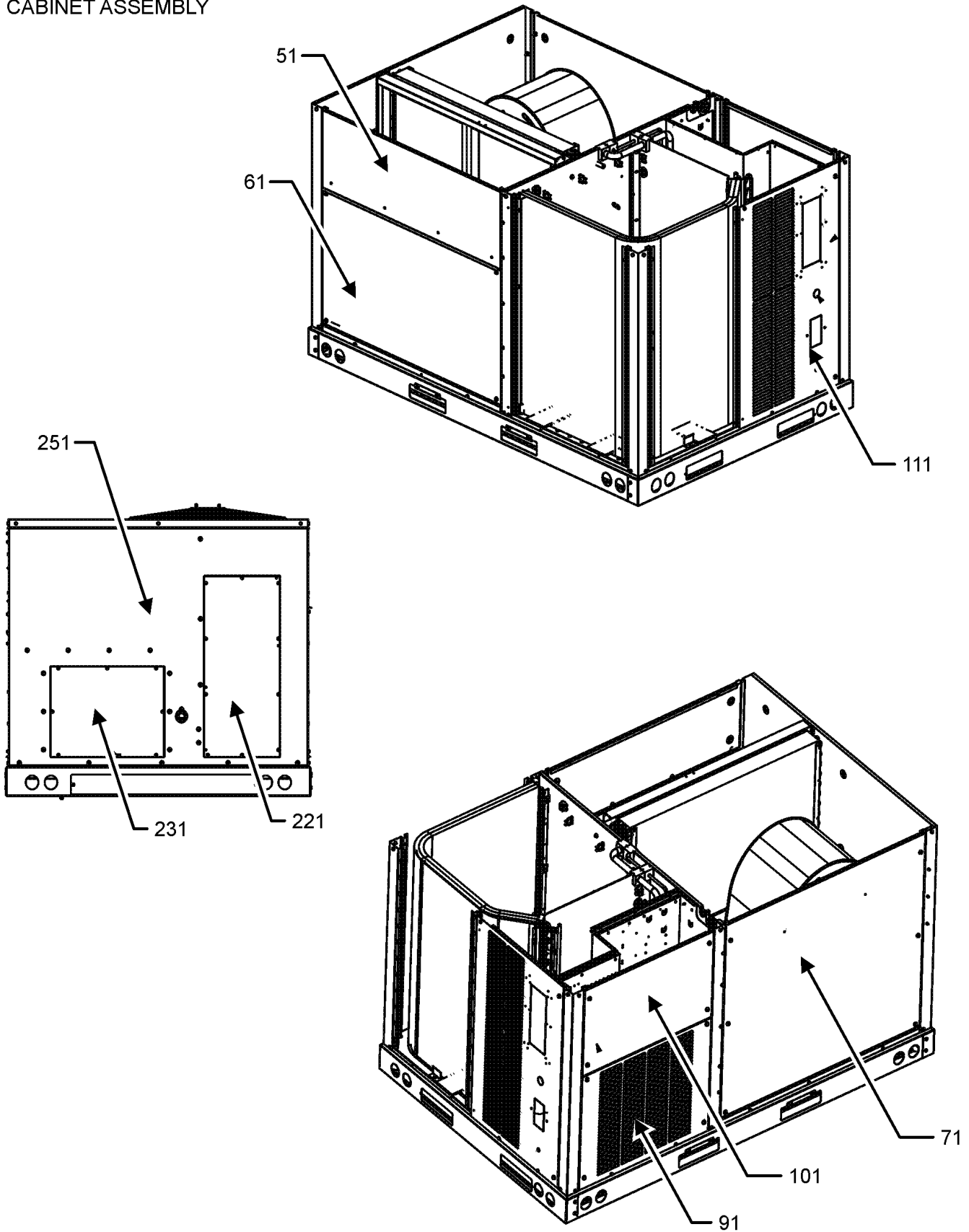
## Expanded Model Nomenclature

M1 - DBC0601D000001SAA

M2 - DBC0603D000001SAA

# CABINET ASSEMBLY

## CABINET ASSEMBLY



# CABINET ASSEMBLY

Ref. Part No:	No:	Description:	Ref. Part No:	No:	Description:
---------------	-----	--------------	---------------	-----	--------------

---

**Image 1:**

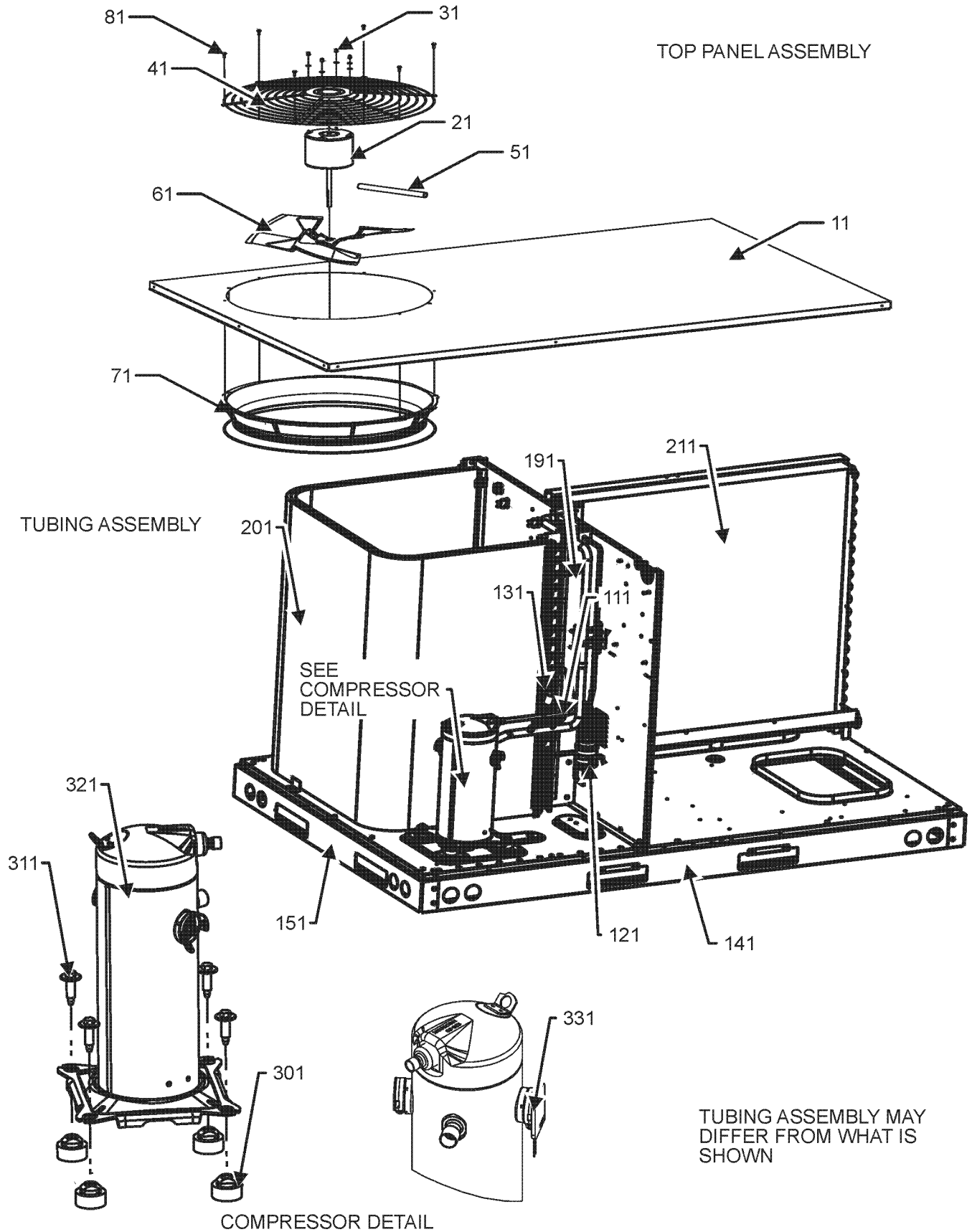
51	0121L01734SB	PAINTED FILTER PANEL
61	0121L01651SB	PAINTED ECONOMIZER PANEL
71	0121L02261SB	PAINTED BLOWER PANEL
91	0121L02263SB	PAINTED COMPRESSOR PANEL
101	0121L02262SB	PAINTED CONTROL BOX PANEL
111	0121L03642SB	PAINTED, COMPRESSOR BACK PANEL
221	0121L02910SB	PAINTED COVER-DUCT RETURN
231	0121L02911SB	PAINTED COVER-DUCT SUPPLY
251	0121L02996SB	PAINTED BACK PANEL

**Expanded Model Nomenclature**

M1 - DBC0601D000001SAA

M2 - DBC0603D000001SAA

# TOP PANEL AND TUBING ASSEMBLY



# TOP PANEL AND TUBING ASSEMBLY

Ref. Part No:	Ref. Part No:	Description:	Description:
---------------	---------------	--------------	--------------

**Image 1:**

11	0121L01626SB	PAINTED, TOP PANEL
21	0131M00430	MOTOR, 1/3 HP, 1 SP, 6 PL
31	0163M00006P	ACORN NUT 5/16 HEX BLACK (QTY 4)
41	0152G00000	FAN GRILLE, RAISED
51	0161R00003P	CONDUIT
61	0150M00057	FAN BLADE 22"
71	0161L00000	RING VENTURI 22
81	0163M00004	SCREW #10X3/4", BLACK (QTY 2)
111	0130M00087	LOW PRESSURE SWITCH
121	20485201	FILTER/DRIER-BI-FLOW
131	0130M00280	HIGH PRESSURE SWITCH
141	0121L01620	SMALL SIDE RAIL (QTY 2)
151	0121L01621	SMALL END RAIL (QTY 2)
191	0121L03064	BLOCKOFF, OD COIL
201	0201L00572	ASSY. OD COIL TUBING
211	0202L00355	ASSY. EVAP TUBING
301	B1339533	COMPRESSOR GROMMET (QTY 4)
311	B1393740	COMP. BOLT & SLEEVE (QTY 4)
321	ZP49K5ETF5130	COMP, 49000/208/230/60/3 (M2)
321	ZP49K5EPFV130	COMP,49400,208/230/60/1 (M1)
331	0159L00065	Harness, comp scroll (M2)
331	0159L00027	HARNES-COMP SCROLL (M1)
NS	0141L00003X	BOARD-FORK (QTY 2)
NS	0121L03516	PNL, BRACKET, FORK BOARD (QTY 4)
NS	0163M00005P	WASHER, BLACK (.50 OD .218ID) (QTY 4)

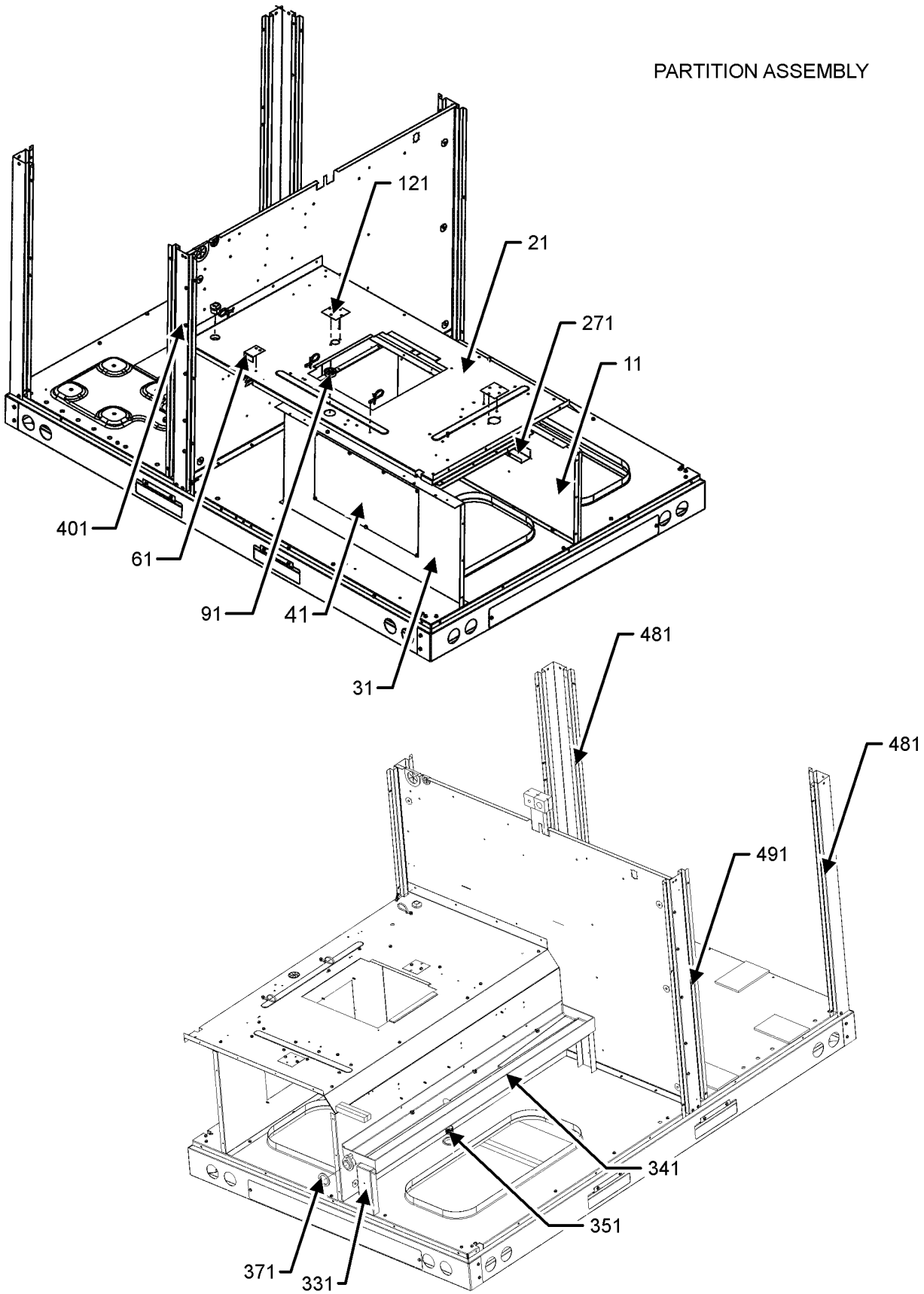
**Expanded Model Nomenclature**

M1 - DBC0601D000001SAA

M2 - DBC0603D000001SAA

# PARTITION ASSEMBLY

## PARTITION ASSEMBLY





# PARTITION ASSEMBLY

Ref. Part No: No:	Description:	Ref. Part No: No:	Description:
----------------------	--------------	----------------------	--------------

---

**Image 1:**

11	0121L02584	BLOWER DECK SIDE
21	0121L03755	PANEL, BLOWER DECK
31	0121L03489	HEAT KIT BOX
41	0121L00144	COVER-ELECTRIC HEAT
61	0121L01709	BLOWER DECK PLATE
91	B1392147	UNIVERSIAL BUSHING WITH SLICE (QTY 2)
121	0121L00321	COVER-SMOKE DETECTOR (QTY 2)
271	0121L02633	BLOWER DECK U-BRACKET
331	0121L02985	DRAINPAN SUPPORT
341	0161L00007	DRAIN PAN, EVAPORATOR 3-5 TON
351	0163L00071	PLUG, DRAIN
371	0154L00180	GASKET, DRAIN PAN
401	0121L03442SB	PAINTED, SIDE POST
481	0121L01728SB	PAINTED CORNER POST (QTY 2)
491	0121L03054SB	PANITED SIDE POST
NS	0160L00137	Air Filter 20x25x2 (QTY 2)
NS	A4568804	GROMMET-D
NS	0164G00005	GROMMET-HORSESHOW 1.675
NS	0121L01954	OD COIL BLOCKOFF ANGLE
NS	0121L03515	RETAINER - ELECTRIC HEAT

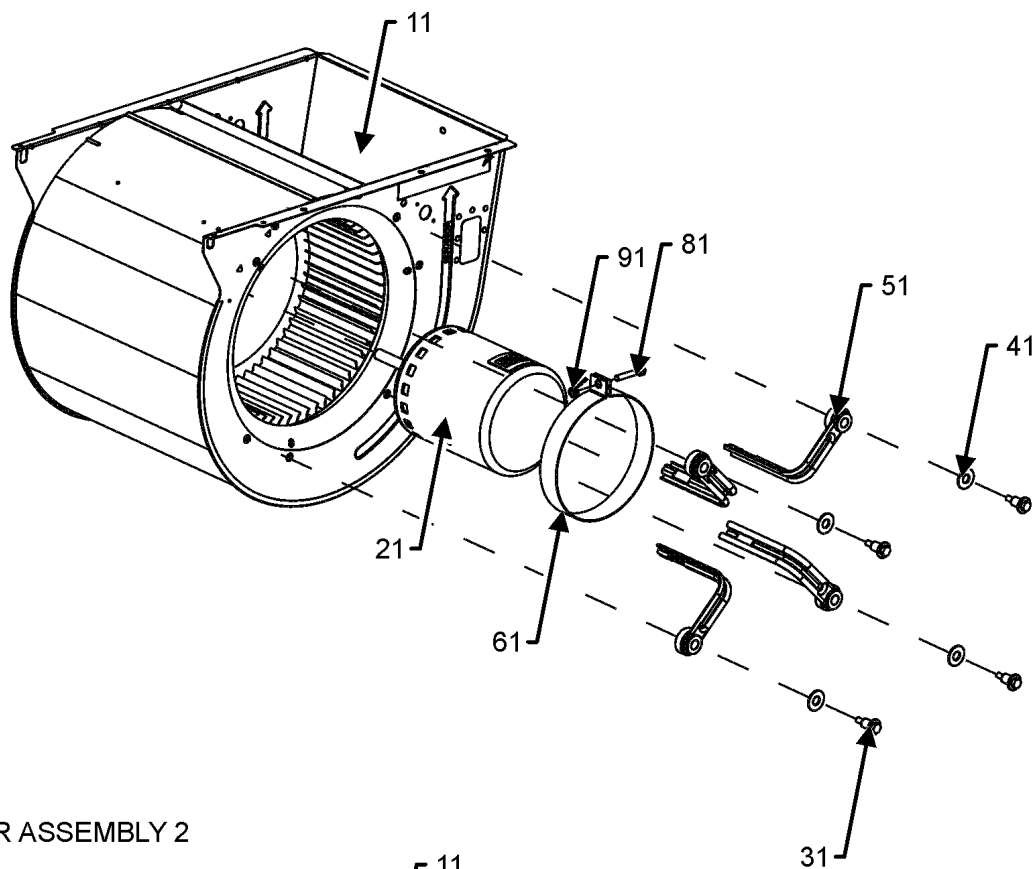
**Expanded Model Nomenclature**

M1 - DBC0601D000001SAA

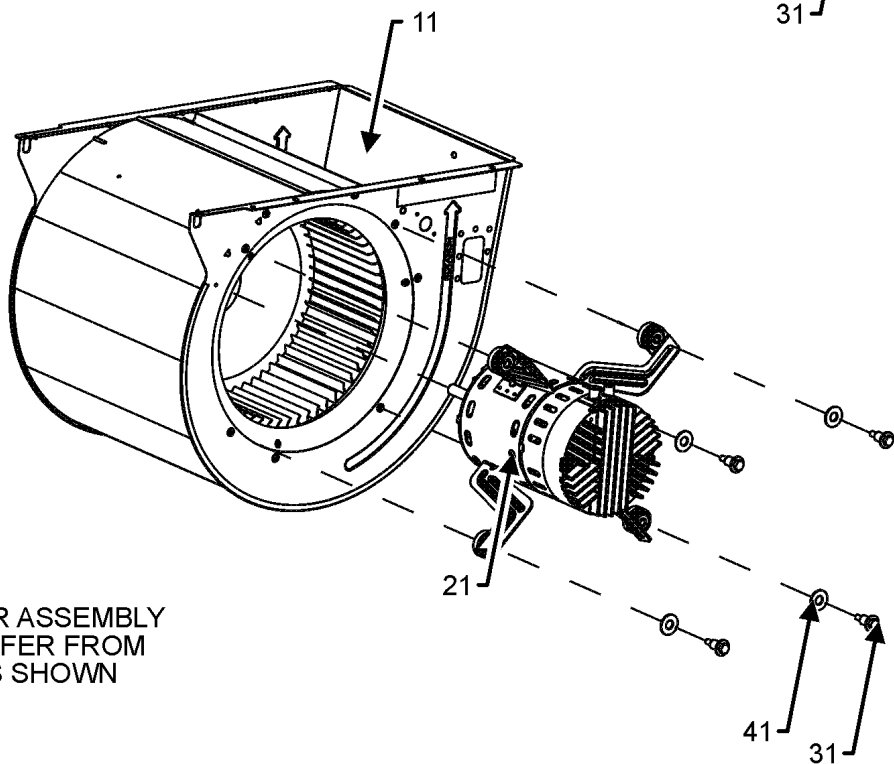
M2 - DBC0603D000001SAA

# BLOWER ASSEMBLY

## BLOWER ASSEMBLY 1



## BLOWER ASSEMBLY 2



BLOWER ASSEMBLY  
MAY DIFFER FROM  
WHAT IS SHOWN

# BLOWER ASSEMBLY

Ref. Part No:	No:	Description:	Ref. Part No:	No:	Description:
---------------	-----	--------------	---------------	-----	--------------

---

**Image 1:**

11	0271L00133	ASSY., HOUSING, BLWR
21	0131L00230	MOTOR-PROGRAM
31	M0250565	SCREW-TC 1.25" (QTY 4)
41	B1392918	WASHER, FLAT 1/4 ID X 1 OD (QTY 4)
51	0163A00008	MOTOR MOUNTING ARM (QTY 4)
61	10441601	BAND-MTR MOUNT
81	M0267144	SCREW-MACH
91	M0282015	NUT-KEPS

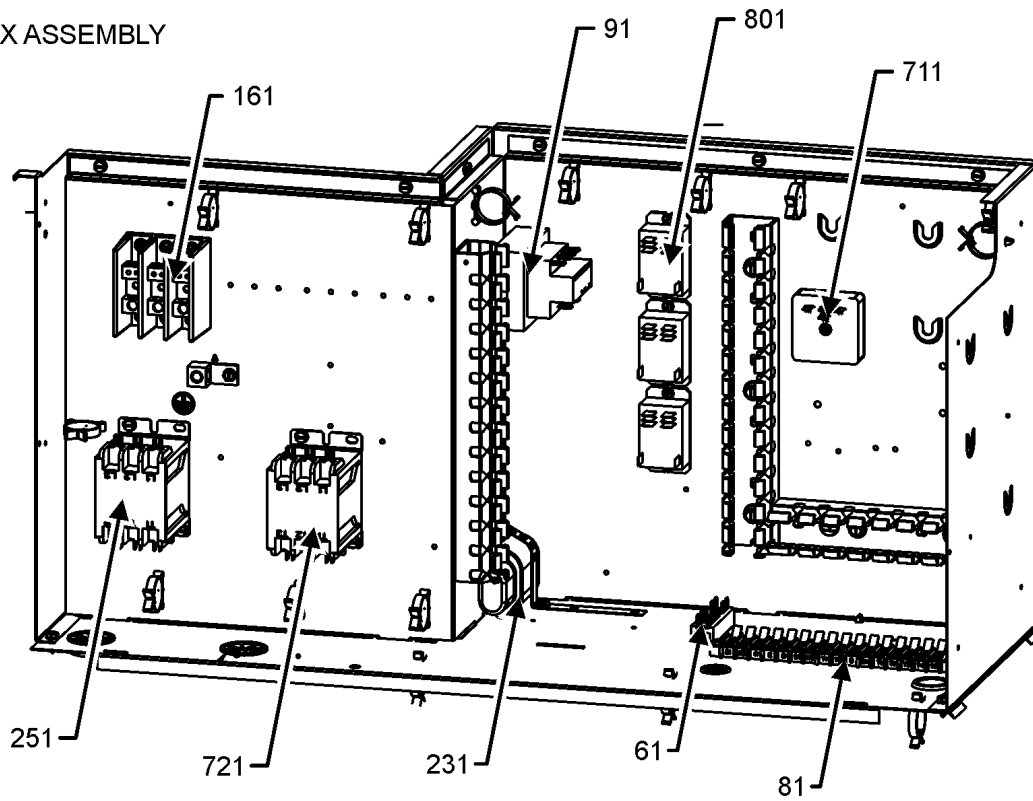
**Expanded Model Nomenclature**

M1 - DBC0601D000001SAA
M2 - DBC0603D000001SAA

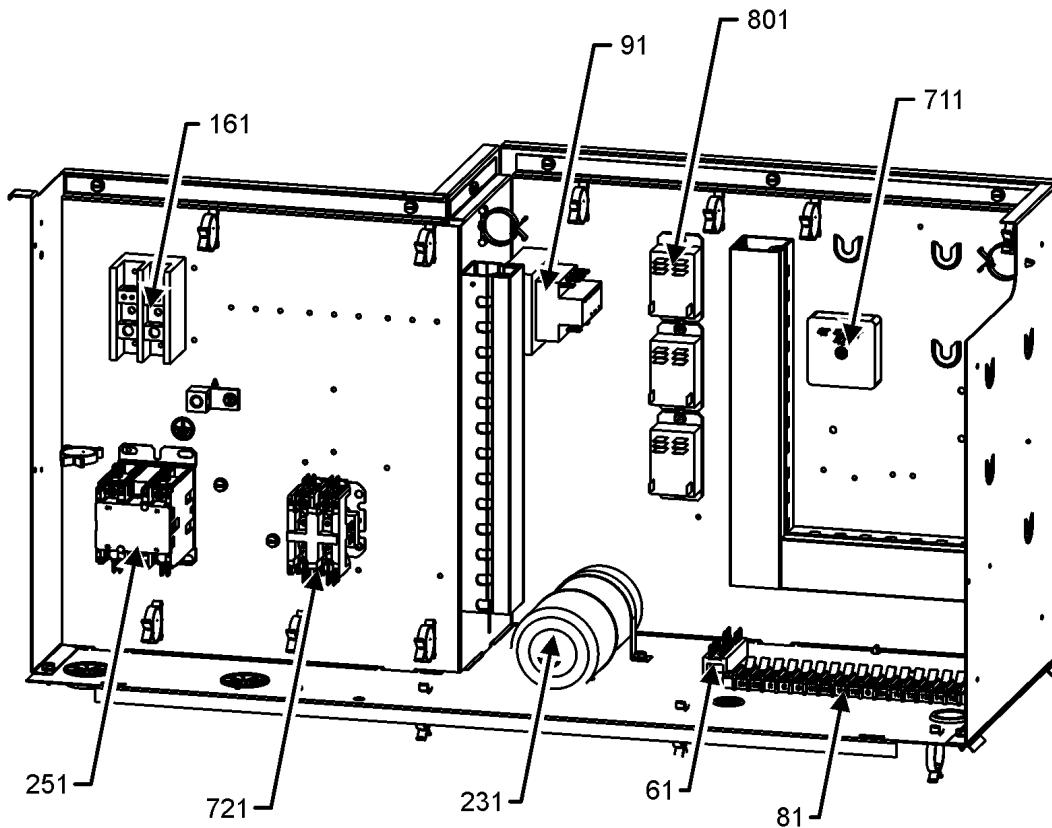
# CONTROL BOX ASSEMBLY

CONTROL BOX ASSEMBLY

3 PHASE



1 PHASE



CONTROL BOX ASSEMBLY MAY DIFFER FROM WHAT IS SHOWN

# CONTROL BOX ASSEMBLY

Ref. Part No:	Part No:	Description:	Ref. Part No:	Part No:	Description:
---------------	----------	--------------	---------------	----------	--------------

**Image 1:**

61	802007090	TERM BOARD			
81	0130M00038	TERMINAL BOARD			
91	B1141654	TRANSFORMER,208-240,75VA,RESET			
161	0130M00510	BLOCK, POWER (M1)			
161	0130M00509	BLOCK,POWER (M2)			
231	CAP100000370LA	CAP, 10 MFD/370V/OVAL (M2)			
231	CAP100700440CT	CAP, 10/70 MFD/ 440V/ DUAL RD (M1)			
251	CONT2P040024V	CONT, 2 POLE, 40 AMP, 24 VAC (M1)			
251	CONT3P030024V	CONT, 3 POLE, 30 AMP, 24 VAC (M2)			
711	B1370772	TIME DELAY (ICM) 180 SEC DEL			
721	CONT2P025024V	CONT, 2 POLE, 25 AMP, 24 VAC			
NS	B821700	BOOT, CAPACITOR (M2)			
NS	0164M00079	BOOT-CAPACITOR, ROUND (M1)			
NS	0130M00507	MOTOR POWER HARNESS			
NS	20520901	STRAP-CAPACITOR			
NS	0130M00506	X-13 LOW VOLTAGE WIRE HARNESS			

**Expanded Model Nomenclature**

M1 - DBC0601D000001SAA

M2 - DBC0603D000001SAA

# ACCESSORY PARTS LIST

NOTE: NOT ALL OPTIONS AVAILABLE FOR ALL PRODUCTS

FOR ACCESSORY PARTS SEE THE FOLLOWING PART MANUAL

## RP-FIOPSC

# ACCESSORY PARTS

**Ref. Part**

**No: No:**

**Description:**

**Ref. Part**

**No: No:**

**Description:**

---

**Image 1:**

NS RP-FIOPSC\* ACCESSORY RP MANUAL

**Expanded Model Nomenclature**

M1 - DBC0601D000001SAA

M2 - DBC0603D000001SAA