

REPAIR PARTS

1.5 and 2.5 Ton A SERIES Air Handler w/Coil

A18-05
A18-05C
A18-08
A18-10
A24-05
A24-05C
A24-08
A24-08C
A24-10
A24-10C
A30-05
A30-08
A30-08C
A30-10
A30-10C
A30-15
A32-03
A32-05
A32-05C
A32-08
A32-08C
A32-10
A32-15

Goodman Manufacturing Company, L.P.
5151 San Felipe, Suite 500
Houston, TX 77056

www.goodmanmfg.com



RP-513
May 2008

Important Information

Index

Functional Parts List	3
Illustration and Parts	4 - 5

Views shown are for parts illustrations only, not servicing procedures.

Text Codes:

AR - As Required

NA - Not Available

NS - Not Shown

00000000 - See Note

QTY - Quantity Example (QTY 3) (If Quantity not shown, Quantity = 1)

M - Model Example (M1) (If M Code not shown, then part is used on all Models)

Expanded Model Nomenclature:

Example
M1 - Model#1
M2 - Model#2
M3 - Model#3

Goodman Manufacturing Company, L.P. is not responsible for personal injury or property damage resulting from improper service. Review all service information before beginning repairs.

Warranty service must be performed by an authorized technician, using authorized factory parts. If service is required after the warranty expires, Goodman Manufacturing Company, L.P. also recommends contacting an authorized technician and using authorized factory parts.

Goodman Manufacturing Company, L.P. reserves the right to discontinue, or change at any time, specifications or designs without notice or without incurring obligations.

For assistance within the U.S.A. contact:
Consumer Affairs Department
Goodman Manufacturing Company, L.P.
7401 Security Way
Houston, Texas 77040
877-254-4729-Telephone
713-863-2382-Facsimile

For assistance outside the U.S.A. contact:
International Division
Goodman Manufacturing Company, L.P.
7401 Security Way
Houston, Texas 77040
713-861-2500-Telephone
713-863-2382-Facsimile

Functional Parts

Part

No: **Description:**

B1370738	24V TIME DELAY RELAY
B13400312S	BLOWER MOTOR 1/3 HP, DIRECT DRIVE (M11, M12, M13, M14, M15, M16, M17, M18, M19, M20, M21, M22, M23)
B13400313S	BLOWER MOTOR 1/5 HP, DIRECT DRIVE (M1, M2, M3, M4, M5, M6, M7, M8, M9, M10)
CAP050000370VAS	CAPACITOR 5/370V (M1, M2, M3, M4, M5, M6, M7, M8, M9, M10)
CAP075000370VAS	CAPACITOR 7.5/370V (M11, M12, M13, M14, M15, M16, M17, M18, M19, M20, M21, M22, M23)
B1141643	TRANSFORMER 208/230, 24V

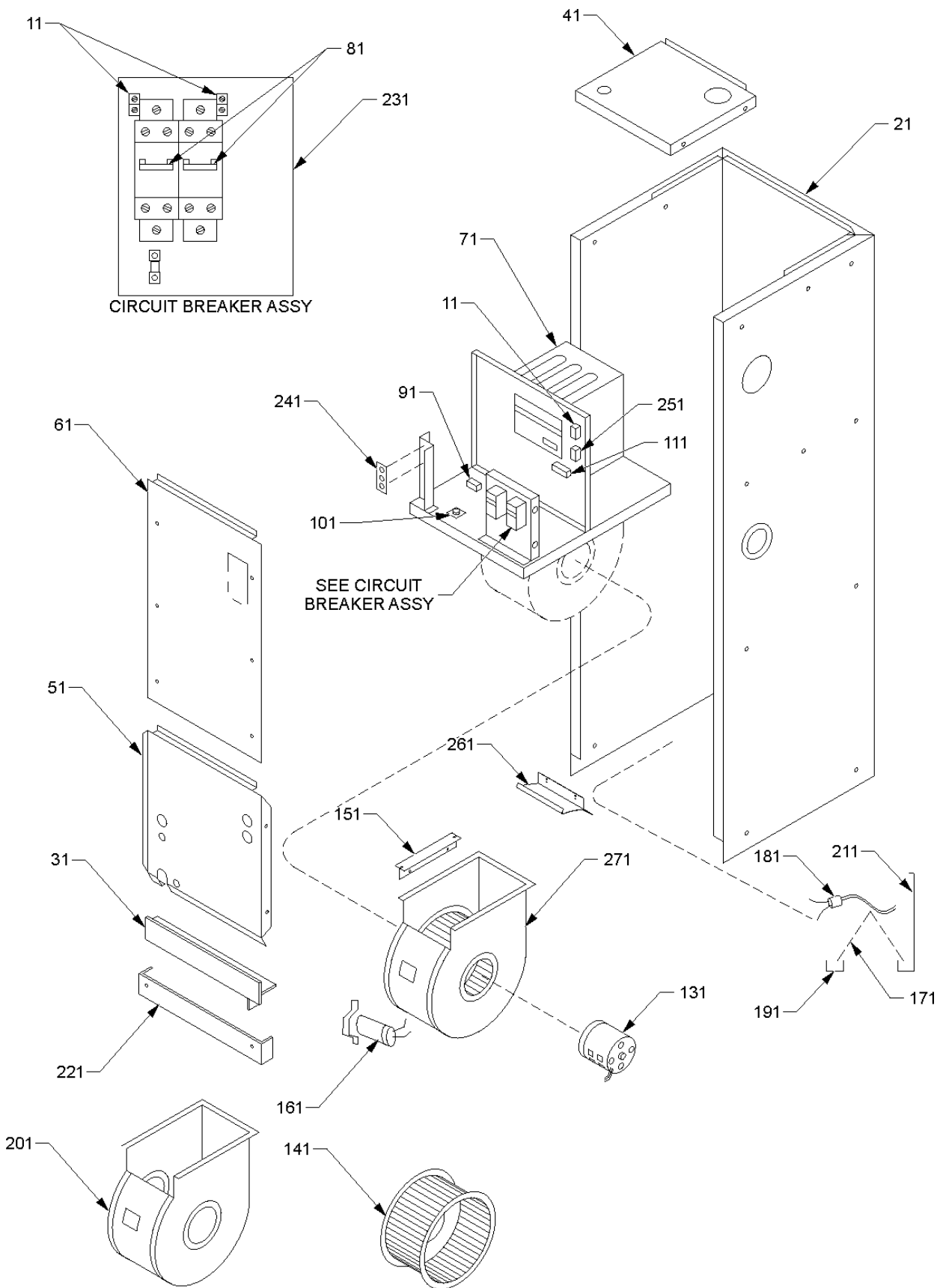
SPECIAL PARTS

RP-513 REPAIR PARTS MANUAL

Expanded Model Nomenclature

M1 - A18-05
M2 - A18-05C
M3 - A18-08
M4 - A18-10
M5 - A24-05
M6 - A24-05C
M7 - A24-08
M8 - A24-08C
M9 - A24-10
M10 - A24-10C
M11 - A30-05
M12 - A30-08
M13 - A30-08C
M14 - A30-10
M15 - A30-10C
M16 - A30-15
M17 - A32-03
M18 - A32-05
M19 - A32-05C
M20 - A32-08
M21 - A32-08C
M22 - A32-10
M23 - A32-15

Replacement Parts List



Replacement Parts List

Ref. Part No:	No:	Description:	Ref. Part No:	No:	Description:																							
<i>Image 1:</i>			181	B1313668	FLOWRATOR .068 (M11, M12, M13, M14, M15, M16, M17, M18, M19, M20, M21, M22, M23)																							
11	B1378533	GROUND LUG	191	B1755913H	VERTICAL DRAIN PAN ASSY																							
21	1721115	WRAPPER ASSY	201	2939300S	BLOWER HOUSING																							
31	1721912	BOTTOM TIE CHANNEL	211	B1755929L	HORIZONTAL DRAIN PAN ASSY																							
41	1721907	UPPER TIE PLATE	221	1722040	FILTER COVER A/H SML																							
51	1722055P	LOWER ACCESS PANEL	231	1495206	CIRCUIT BREAKER PLATE (M2, M6, M8, M10, M13, M15, M16, M19, M21, M23)																							
61	1722005P	UPPER ACCESS PANEL (M1, M3, M4, M5, M7, M9, M11, M12, M14, M17, M18, M20, M22)	241	B1368248	TERMINAL BLOCK (LOW VOLTAGE) (M16, M23)																							
61	1722022P	UPPER ACCESS PANEL (M16, M23)	251	B1368250	TERMINAL BLOCK (HIGH VOLTAGE) (M1, M3, M4, M5, M7, M9, M11, M12, M14, M17, M18, M20, M22)																							
61	1722024P	UPPER ACCESS PANEL (M2, M6, M8, M10, M13, M15, M19, M21)	261	764733	BLOWER CUT-OFF																							
71	B1037488S	HEATER W/LIMIT SWITCH 10KW 230V (M4, M9, M10, M14, M15, M22)	Expanded Model Nomenclature																									
71	B1037489S	HEATER W/LIMIT SWITCH 15KW 230V (M16, M23)	<table border="1"> <tr><td>M1 - A18-05</td></tr> <tr><td>M2 - A18-05C</td></tr> <tr><td>M3 - A18-08</td></tr> <tr><td>M4 - A18-10</td></tr> <tr><td>M5 - A24-05</td></tr> <tr><td>M6 - A24-05C</td></tr> <tr><td>M7 - A24-08</td></tr> <tr><td>M8 - A24-08C</td></tr> <tr><td>M9 - A24-10</td></tr> <tr><td>M10 - A24-10C</td></tr> <tr><td>M11 - A30-05</td></tr> <tr><td>M12 - A30-08</td></tr> <tr><td>M13 - A30-08C</td></tr> <tr><td>M14 - A30-10</td></tr> <tr><td>M15 - A30-10C</td></tr> <tr><td>M16 - A30-15</td></tr> <tr><td>M17 - A32-03</td></tr> <tr><td>M18 - A32-05</td></tr> <tr><td>M19 - A32-05C</td></tr> <tr><td>M20 - A32-08</td></tr> <tr><td>M21 - A32-08C</td></tr> <tr><td>M22 - A32-10</td></tr> <tr><td>M23 - A32-15</td></tr> </table>			M1 - A18-05	M2 - A18-05C	M3 - A18-08	M4 - A18-10	M5 - A24-05	M6 - A24-05C	M7 - A24-08	M8 - A24-08C	M9 - A24-10	M10 - A24-10C	M11 - A30-05	M12 - A30-08	M13 - A30-08C	M14 - A30-10	M15 - A30-10C	M16 - A30-15	M17 - A32-03	M18 - A32-05	M19 - A32-05C	M20 - A32-08	M21 - A32-08C	M22 - A32-10	M23 - A32-15
M1 - A18-05																												
M2 - A18-05C																												
M3 - A18-08																												
M4 - A18-10																												
M5 - A24-05																												
M6 - A24-05C																												
M7 - A24-08																												
M8 - A24-08C																												
M9 - A24-10																												
M10 - A24-10C																												
M11 - A30-05																												
M12 - A30-08																												
M13 - A30-08C																												
M14 - A30-10																												
M15 - A30-10C																												
M16 - A30-15																												
M17 - A32-03																												
M18 - A32-05																												
M19 - A32-05C																												
M20 - A32-08																												
M21 - A32-08C																												
M22 - A32-10																												
M23 - A32-15																												
71	B1037480S	HEATER W/LIMIT SWITCH 3.0KW 230V (M17)																										
71	B1037485S	HEATER W/LIMIT SWITCH 5KW 230V (M1, M2, M5, M6, M11, M18, M19)																										
71	B1037487S	HEATER W/LIMIT SWITCH 7.5KW 230V (M3, M7, M8, M12, M13, M20, M21)																										
81	CBK2PD240VA030S	CIRCUIT BREAKER 30 AMP (ITE) (M2, M6, M16, M19, M23)																										
81	CBK2PD240VA040S	CIRCUIT BREAKER 40 AMP (ITE) (M8, M13, M21)																										
81	CBK2PD240VA060S	CIRCUIT BREAKER 60 AMP (ITE) (M10, M15)																										
91	B1256553	SEQUENCER 12 -15 KW (M16, M23)																										
91	B1256551	SEQUENCER 5 KW (M1, M2, M5, M6, M11, M17, M18, M19)																										
91	B1256552	SEQUENCER 8 - 10 KW (M3, M4, M7, M8, M10, M12, M13, M15, M20, M21, M22)																										
101	B1370738	24V TIME DELAY RELAY																										
111	B1141643	TRANSFORMER 208/230, 24V																										
131	B13400312S	BLOWER MOTOR 1/3 HP, DIRECT DRIVE (M11, M12, M13, M14, M15, M16, M17, M18, M19, M20, M21, M22, M23)																										
131	B13400313S	BLOWER MOTOR 1/5 HP, DIRECT DRIVE (M1, M2, M3, M4, M5, M6, M7, M8, M9, M10)																										
141	B1368035S	BLOWER WHEEL 5.75 X 8 (M1, M2, M3, M4)																										
141	B1368042S	BLOWER WHEEL 9 X 6 (M5, M6, M7, M8, M9, M10, M11, M12, M13, M14, M15, M16, M17, M18, M19, M20, M21, M22, M23)																										
151	1717107	BLOWER MOUNTING ANGLE (QTY 2)																										
161	CAP050000370VAS	CAPACITOR 5/370V (M1, M2, M3, M4, M5, M6, M7, M8, M9, M10)	ORDER 1717104 BLOWER MTG ANGLE FOR UNITS BUILT BEFORE 9/1999. EFFECTIVE 4/1998: WHEN ORDERING SERVICE COIL ASSEMBLY ALSO ORDER CORRESPONDING LOWER ACCESS PANEL.																									
161	CAP075000370VAS	CAPACITOR 7.5/370V (M11, M12, M13, M14, M15, M16, M17, M18, M19, M20, M21, M22, M23)																										
171	P1400A18L	SERVICE COIL ASSY COMPLETE (M1, M2, M3, M4)																										
171	P1400A24L	SERVICE COIL ASSY COMPLETE (M5, M6, M7, M8, M9, M10)																										
171	P1400A30L	SERVICE COIL ASSY COMPLETE (M11, M12, M13, M14, M15, M16)																										
171	P1400A32L	SERVICE COIL ASSY COMPLETE (M17, M18, M19, M20, M21, M22, M23)																										
181	B1314452	FLOWRATOR .052 (M1, M2, M3, M4)																										
181	B1314459	FLOWRATOR .059 (M5, M6, M7, M8, M9, M10)																										