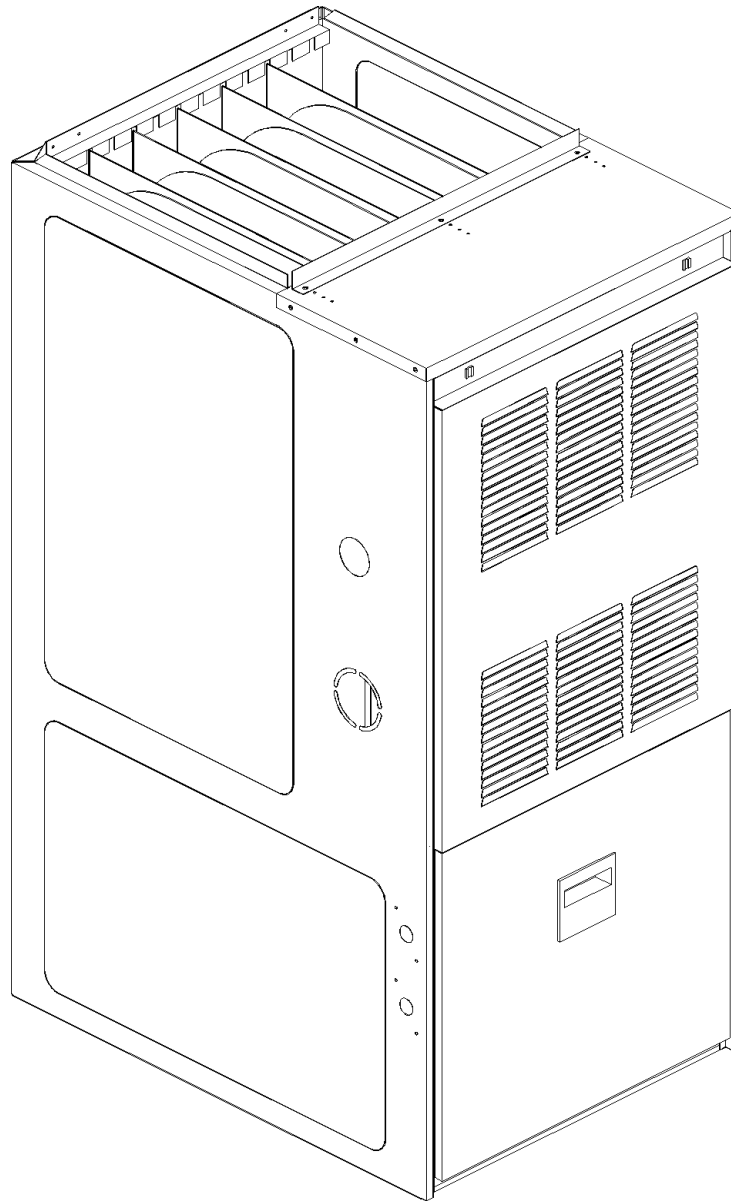




REPAIR PARTS

GMN-H Series Multi-Position Condensing Furnace

GMN060-3
GMN080-4
GMN100-4
GMN120-5



This manual is to be used by qualified technicians only.

This manual replaces RP-175F.

© 2003-2008 Goodman Manufacturing Company, L.P. ♦ 5151 San Felipe, Suite 500 ♦ Houston, TX 77056

Important Information

Index

Functional Parts List	3
Illustration and Parts	4 - 9

Views shown are for parts illustrations only, not servicing procedures.

Rev. G: Updated part numbers.

Text Codes:

AR - As Required

NA - Not Available

NS - Not Shown

00000000 - See Note

QTY - Quantity Example (QTY 3) (If Quantity not shown, Quantity = 1)

M - Model Example (M1) (If M Code not shown, then part is used on all Models)

Expanded Model Nomenclature:

Example M1 - Model#1 M2 - Model#2 M3 - Model#3

Goodman Manufacturing Company, L.P. is not responsible for personal injury or property damage resulting from improper service. Review all service information before beginning repairs.

Warranty service must be performed by an authorized technician, using authorized factory parts. If service is required after the warranty expires, Goodman Manufacturing Company, L.P. also recommends contacting an authorized technician and using authorized factory parts.

Goodman Manufacturing Company, L.P. reserves the right to discontinue, or change at any time, specifications or designs without notice or without incurring obligations.

For assistance within the U.S.A. contact:
Consumer Affairs Department
Goodman Manufacturing Company, L.P.
7401 Security Way
Houston, Texas 77040
877-254-4729-Telephone
713-863-2382-Facsimile

For assistance outside the U.S.A. contact:
International Division
Goodman Manufacturing Company, L.P.
7401 Security Way
Houston, Texas 77040
713-861-2500-Telephone
713-863-2382-Facsimile

Functional Parts

**Part
No:**

Description:

Expanded Model Nomenclature

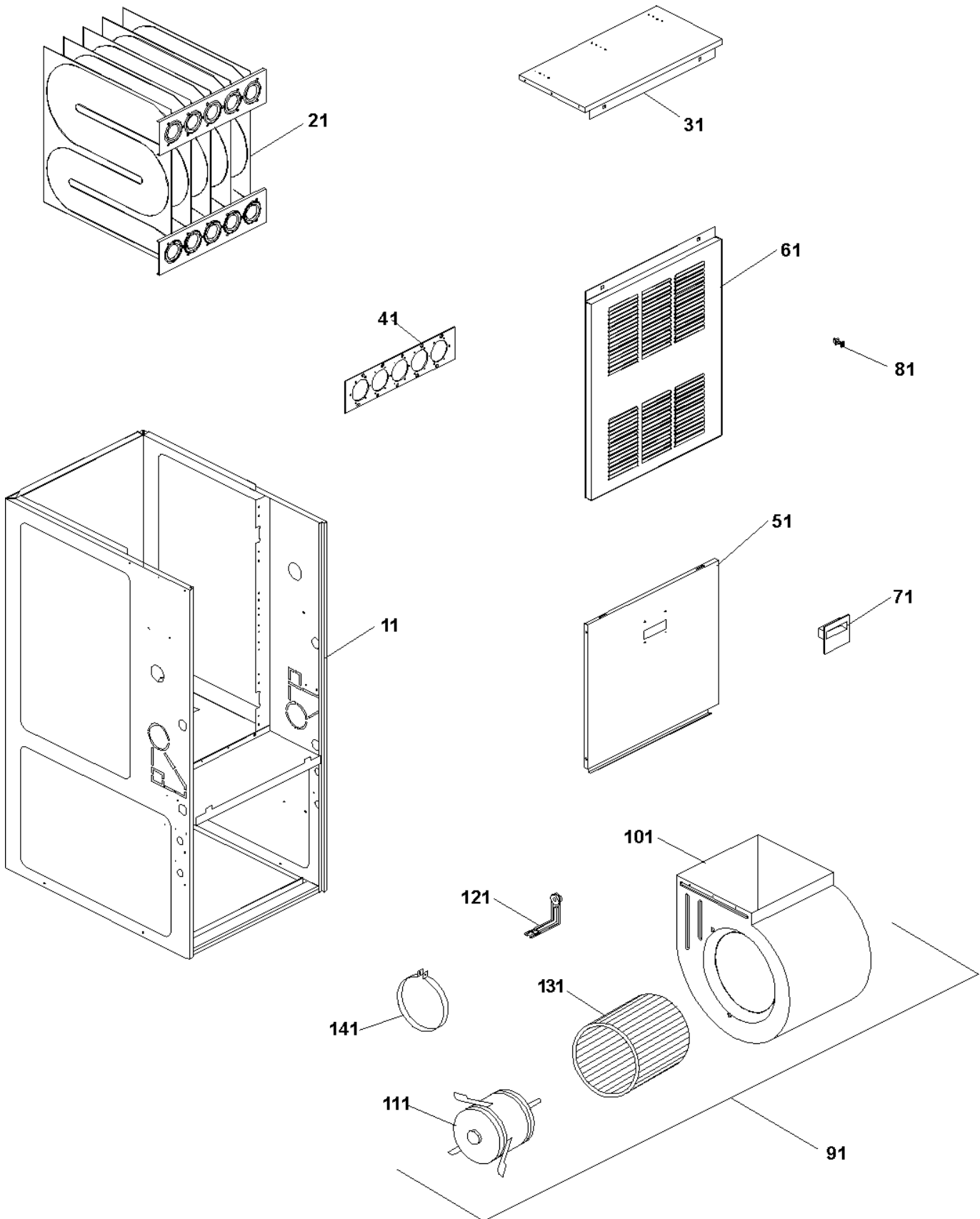
B2589345	#45 ORIFICE (QTY AR)
B1370150	AIR PRESSURE SWITCH (M2, M3, M4)
B1370148	AIR PRESSURE SWITCH (M1)
B1340020S	BLOWER MOTOR 1/2 HP, DIRECT DRIVE (M2, M3)
B1340021S	BLOWER MOTOR 1/3 HP, DIRECT DRIVE (M1)
B1340022S	BLOWER MOTOR 3/4 HP, DIRECT DRIVE (M4)
CAP100000370VAS	CAPACITOR 10/370V [BLOWER] (M2, M3)
CAP125000370RPS	CAPACITOR 12.5/370V (M1)
CAP150000370VAS	CAPACITOR 15/370V (M4)
B1370820	DOOR SWITCH
0130F00010	FLAME SENSOR
B1282628	GAS VALVE (36G)
B1401018S	IGNITOR
2522703S	INSHOT BURNER ASSY [OBSOLETE] (QTY AR)
B1809913S	INTEGRATED H.S.I. MODULE
B2526001	MANIFOLD - 3 BRNR (M1)
B2526002	MANIFOLD - 4 BRNR (M2)
B2526003	MANIFOLD - 5 BRNR (M3)
B2526004	MANIFOLD - 6 BRNR (M4)
1370910S	PRIMARY LIMIT SWITCH 170°F (M3, M4)
1370913S	PRIMARY LIMIT SWITCH 200°F (M1, M2)
B1370144	ROLLOUT SWITCH 300°F (QTY AR)
2864604S	SECONDARY HEAT EXCHANGER COIL 14" (M1)
2864605S	SECONDARY HEAT EXCHANGER COIL 17.5" (M2)
2864606S	SECONDARY HEAT EXCHANGER COIL 21" (M3)
2864607S	SECONDARY HEAT EXCHANGER COIL 24.5" (M4)
2821300S	SUB ASSY, HEAT EXCHANGER 3 CELL (M1)
2821301S	SUB ASSY, HEAT EXCHANGER 4 CELL (M2)
2821303S	SUB ASSY, HEAT EXCHANGER 6 CELL (M4)
2821302S	SUB ASSY, HEAT EXCHANGER 5 CELL (M3)
B1141605	TRANSFORMER 120V TO 24V, 40 VA
2868401	WIRE HARNESS, BLOWER [OBSOLETE]
2868400	WIRE HARNESS, HEAT EXCHANGER

M1 - GMN060-3
M2 - GMN080-4
M3 - GMN100-4
M4 - GMN120-5

SPECIAL PARTS

IO-554	INSTALLATION INSTRUCTIONS
RP-175G	REPAIR PARTS MANUAL

Chassis Assy



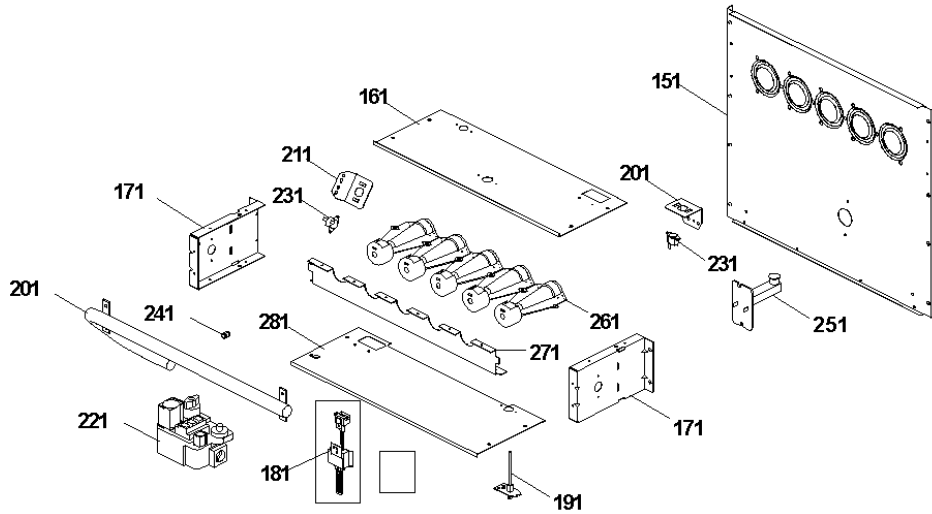
Chassis Assy

Ref. Part No:	Ref. Part No:	Description:	Description:
<i>Image 1:</i>		Expanded Model Nomenclature	
11	2816507S	WRAPPER ASSY (M4)	M1 - GMN060-3
11	2816513S	WRAPPER ASSY (M2)	M2 - GMN080-4
11	2816514S	WRAPPER ASSY (M3)	M3 - GMN100-4
11	2816504S	WRAPPER ASSY [OBSOLETE] (M1)	M4 - GMN120-5
21	2821300S	SUB ASSY, HEAT EXCHANGER 3 CELL (M1)	
21	2821301S	SUB ASSY, HEAT EXCHANGER 4 CELL (M2)	
21	2821302S	SUB ASSY, HEAT EXCHANGER 5 CELL (M3)	
21	2821303S	SUB ASSY, HEAT EXCHANGER 6 CELL (M4)	
31	2508500P	TOP 14" (M1)	
31	2508502P	TOP 17" (M2)	
31	2508502P	TOP 17" (M3)	
31	2508503P	TOP 24.5" (M4)	
41	B2832600	ATTACHMENT GASKET 3 CELL (M1)	
41	B2832601	ATTACHMENT GASKET 4 CELL (M2)	
41	B2832602	ATTACHMENT GASKET 5 CELL (M3)	
41	B2832603	ATTACHMENT GASKET 6 CELL (M4)	
51	0221F00031PBB	BLOWER ACCESS DOOR 14.0" (M1)	
51	2515006S	BLOWER ACCESS DOOR 17" W/VIEW PORT (M3)	
51	0221F00032PBB	BLOWER ACCESS DOOR 17.5" (M2)	
51	2515007S	BLOWER ACCESS DOOR 24.5" (M4)	
61	2812009P	CONTROL ACCESS DOOR 21" (M3)	
61	2812000P	CONTROL ACCESS DOOR 14" (M1)	
61	2812501S	CONTROL ACCESS DOOR 17.5" (M2)	
61	2812003P	CONTROL ACCESS DOOR 24.5" (M4)	
71	1893600	DOOR HANDLE W/CLIPS [OBSOLETE]	
81	B1392132	TURN NYLATCH 14" (QTY 2)	
91	2868202S	BLOWER ASSY (10 X 10) [OBSOLETE] (M3)	
91	2868201S	BLOWER ASSY 1/2 HP 10 X 8 (M2)	
91	2868200S	BLOWER ASSY 1/3 HP 10 X 6 (M1)	
		INCLUDES ITEMS 101 THRU 140	
91	2868203S	BLOWER ASSY(10 X 6) [OBSOLETE] (M4)	
101	2539301S	BLOWER HOUSING ASSY (M2)	
101	2539303S	BLOWER HOUSING ASSY 10 X 10 (M3)	
101	1839301S	BLOWER HOUSING ASSY 10 X 6 (M4)	
101	2539300S	BLOWER HOUSING ASSY w/o CUT-OFF 764730 (M1)	
111	B1340020S	BLOWER MOTOR 1/2 HP, DIRECT DRIVE (M2, M3)	
111	B1340021S	BLOWER MOTOR 1/3 HP, DIRECT DRIVE (M1)	
111	B1340022S	BLOWER MOTOR 3/4 HP, DIRECT DRIVE (M4)	
121	B1376859	MOTOR MOUNT ARM (M4)	
131	D6723306S	BLOWER WHEEL (M3)	
131	B1368046S	BLOWER WHEEL 10 X 6 CCW (M4)	
131	B1368034S	BLOWER WHEEL 10 X 6 CW (M1, M4)	
131	B1368016S	BLOWER WHEEL 10 X 8 (M2)	
141	B1376851	MOTOR MOUNT BAND (M4)	

Dual Heat Exchanger Assy

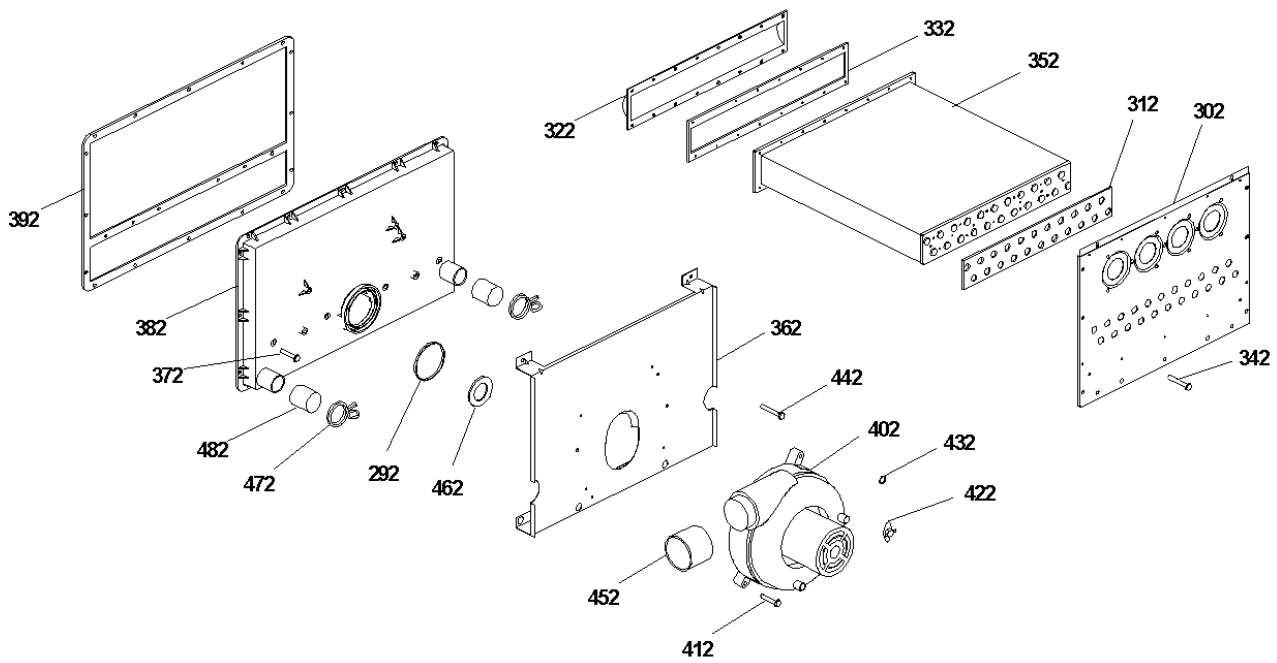
PRIMARY HEAT EXCHANGER ASSEMBLY

Image 1



SECONDARY HEAT EXCHANGER ASSEMBLY

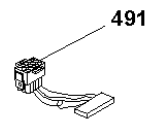
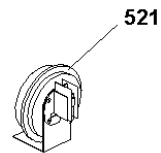
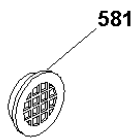
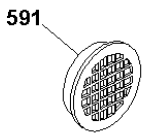
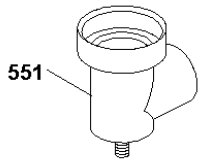
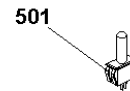
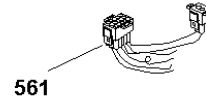
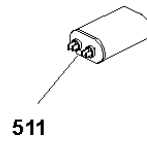
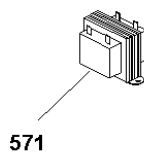
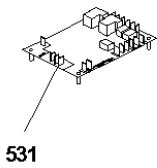
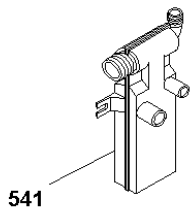
Image 2



Dual Heat Exchanger Assy

Ref. Part No:	Ref. Part No:	Description:	Description:
<i>Image 1:</i>		<i>Image 2:</i>	
151	2821500S	INNER FRONT PANEL 3 CELL [OBSOLETE] (M1)	342 B2864900 SHOULDER SCREW #8 X .692" (QTY AR)
151	2821501S	INNER FRONT PANEL 4 CELL [OBSOLETE] (M2)	352 2864604S SECONDARY HEAT EXCHANGER COIL 14" (M1)
151	2821502S	INNER FRONT PANEL 5 CELL [OBSOLETE] (M3)	352 2864605S SECONDARY HEAT EXCHANGER COIL 17.5" (M2)
151	2821503S	INNER FRONT PANEL 6 CELL [OBSOLETE] (M4)	352 2864606S SECONDARY HEAT EXCHANGER COIL 21" (M3)
161	2513001	BURNER BOX TOP 3 CELL (M1)	352 2864607S SECONDARY HEAT EXCHANGER COIL 24.5" (M4)
161	2513002	BURNER BOX TOP 4 CELL [OBSOLETE] (M2)	362 2825004 HEAT SHIELD 14" [OBSOLETE] (M1)
161	2513003	BURNER BOX TOP 5 CELL (M3)	362 2825005 HEAT SHIELD 17.5" (M2)
161	2513004	BURNER BOX TOP 6 CELL (M4)	362 2825006 HEAT SHIELD 21" (M3)
171	2514000	BURNER BOX SIDE (QTY 2)	362 2825007 HEAT SHIELD 24.5" (M4)
181	B1401018S	IGNITOR	372 B1393515 SCREW #8 X 1.5" (QTY AR)
191	0130F00010	FLAME SENSOR	382 2820004S FLUE COLLECTOR BOX 14" (M1)
201	B2526001	MANIFOLD - 3 BRNR (M1)	382 2820005S FLUE COLLECTOR BOX 17.5" (M2)
201	B2526002	MANIFOLD - 4 BRNR (M2)	382 2820006S FLUE COLLECTOR BOX 21" (M3)
201	B2526003	MANIFOLD - 5 BRNR (M3)	382 2820007S FLUE COLLECTOR BOX 24.5" (M4)
201	B2526004	MANIFOLD - 6 BRNR (M4)	392 B2832500 FLUE COLLECTOR GASKET 14" (M1)
211	2809500	ROLLOUT SWITCH BRACKET (QTY AR)	392 B2832501 FLUE COLLECTOR GASKET 17.5" (M2)
221	B1282628	GAS VALVE (36G)	392 B2832502 FLUE COLLECTOR GASKET 21" (M3)
231	B1370144	ROLLOUT SWITCH 300°F (QTY AR)	392 B2832503 FLUE COLLECTOR GASKET 24.5" (M4)
241	B2589345	#45 ORIFICE (QTY AR)	402 B2833001S VENT MOTOR
251	1370910S	PRIMARY LIMIT SWITCH 170°F (M3, M4)	412 B1393514 SCREW #8 X 1.00" ZINC (QTY 3)
251	1370913S	PRIMARY LIMIT SWITCH 200°F (M1, M2)	422 B1370156 AIR PRESSURE SWITCH -1.4" WC
261	2522703S	INSHOT BURNER ASSY [OBSOLETE] (QTY AR)	432 B2832605 O-RING F/STACK OVER TEMP
271	2513501	BURNER BRACKET 3B (M1)	442 B1393513 SCREW #8 X 2.00" (QTY 2)
271	2513502	BURNER BRACKET 4B (M2)	452 B1810401 RUBBER SLEEVE
271	2513503	BURNER BRACKET 5B (M3)	462 B2864903 FLUE RESTRICTOR PLATE 1.252 DIA (M1)
271	2513504	BURNER BRACKET 6B (M4)	462 B2864905 FLUE RESTRICTOR PLATE 1.505 DIA (M2, M3, M4)
281	2813001	BURNER BOX BOTTOM 3 CELL (M1)	472 B1810005 VINYL CAP CLAMP
281	2813002	BURNER BOX BOTTOM 4 CELL (M2)	482 B2810400 VINYL CAP
281	2813003	BURNER BOX BOTTOM 5 CELL (M3)	
281	2813004	BURNER BOX BOTTOM 6 CELL (M4)	
<i>Image 2:</i>		Expanded Model Nomenclature	
292	B2832606	O RING 2.25 X .156	M1 - GMN060-3
302	2830100	INNER FRONT PANEL, LOWER 3 CELL (M1)	M2 - GMN080-4
302	2830101	INNER FRONT PANEL, LOWER 4 CELL (M2)	M3 - GMN100-4
302	2830102	INNER FRONT PANEL, LOWER 5 CELL (M3)	M4 - GMN120-5
302	2830103	INNER FRONT PANEL, LOWER 6 CELL (M4)	
312	B2832504	COIL/LOWER INNER FRONT GASKET (M1)	
312	B2832507	COIL/LOWER INNER FRONT GASKET (M4)	
312	B2832513	COIL/LOWER INNER FRONT GASKET (M2)	
312	B2832514	COIL/LOWER INNER FRONT GASKET (M3)	
322	B2865004	ENDCAP 14" 3 CELL [OBSOLETE] (M1)	
322	B2865005	ENDCAP 17.5" 4 CELL (M2)	
322	B2865006	ENDCAP 21" 5 CELL (M3)	
322	B2865007	ENDCAP 24.5" 6 CELL (M4)	
332	B1910005	HIGH PUTTY SEALANT	

Miscellaneous



Miscellaneous

Ref. Part No:	No:	Description:	Ref. Part No:	No:	Description:
---------------	-----	--------------	---------------	-----	--------------

Image 1:

491	2868401	WIRE HARNESS, BLOWER [OBSOLETE]
501	B1370820	DOOR SWITCH
511	CAP100000370VAS	CAPACITOR 10/370V [BLOWER] (M2, M3)
511	CAP125000370RPS	CAPACITOR 12.5/370V (M1)
511	CAP150000370VAS	CAPACITOR 15/370V (M4)
521	B1370148	AIR PRESSURE SWITCH (M1)
521	B1370150	AIR PRESSURE SWITCH (M2, M3, M4)
531	B1809913S	INTEGRATED H.S.I. MODULE
541	B2820811	DRAIN TRAP
551	B2810815	DRAIN ELBOW 2"/3" [OBSOLETE]
561	2868400	WIRE HARNESS, HEAT EXCHANGER
571	B1141605	TRANSFORMER 120V TO 24V, 40 VA
581	B2810816	2" MESH INSERT
591	B2810814	3" MESH INSERT

Expanded Model Nomenclature

M1 - GMN060-3
M2 - GMN080-4
M3 - GMN100-4
M4 - GMN120-5

