

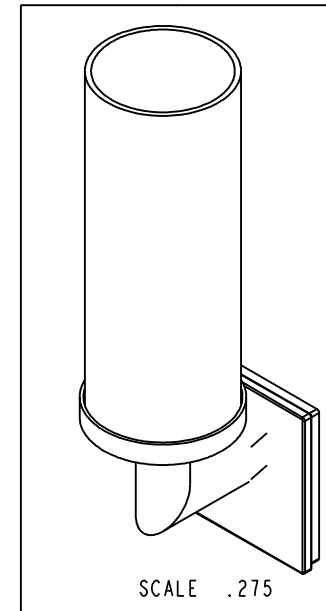
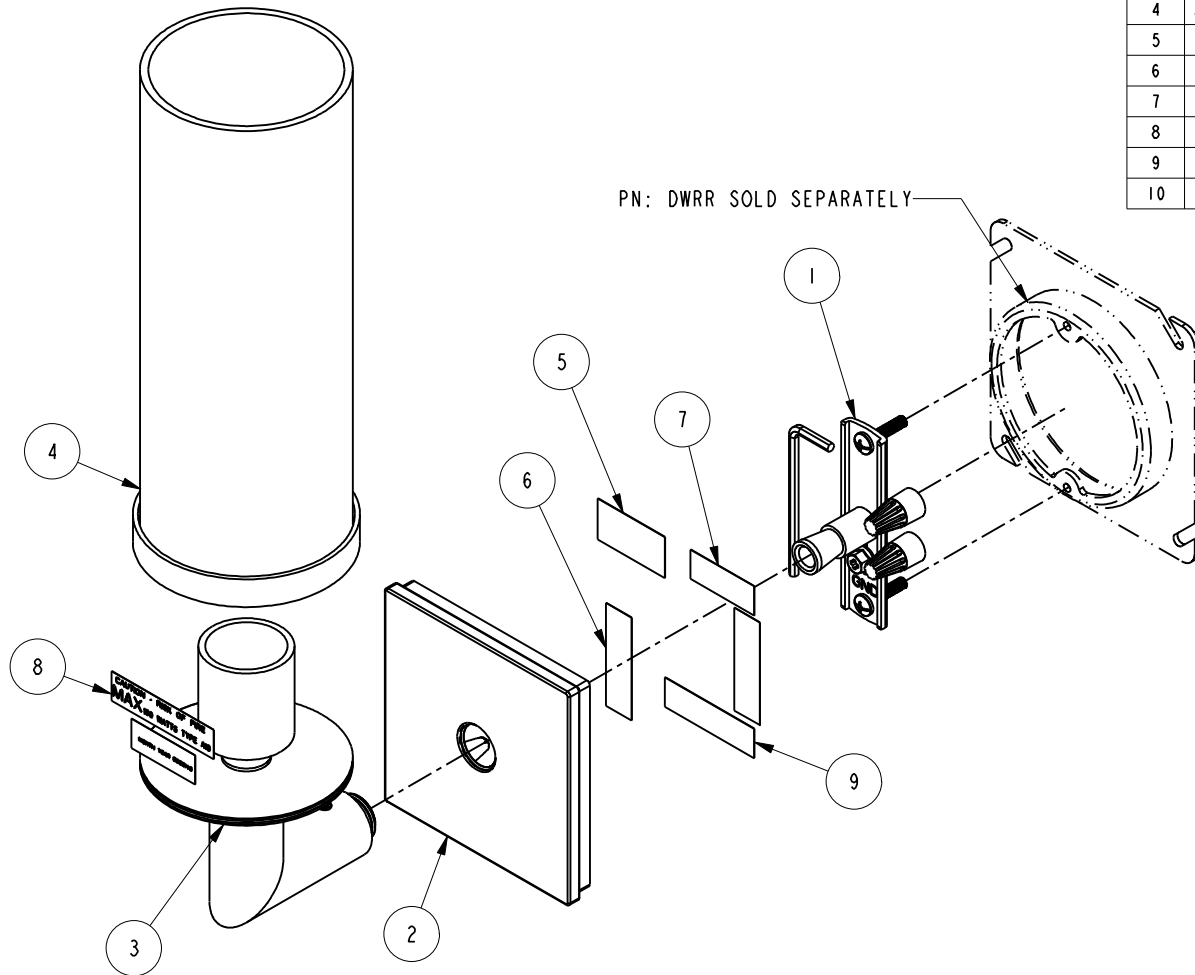
NOTES:

(N1) 1. FIT / FORM / FUNCTION SHALL FOLLOW PS-E.008.

BILL OF MATERIAL (CURRENT LEVEL)

ITEM	PT/ASSY	DESCRIPTION	TYPE	QTY.
1	3681-CB	LIGHT MOUNTING KIT	ASSEMBLY	1
2	80770	BASE	PART	1
3	3681-BAW	BODY ASSEMBLY	ASSEMBLY	1
4	3681-G-0	SHADE ASSEMBLY	ASSEMBLY	1
5	98006	LABEL, UL LISTED	PART	1
6	98012	LABEL, WALL MOUNT ONLY	PART	1
7	98079	LABEL, MONTH YEAR E222146	PART	2
8	98101	LABEL, 100 WATTS MAX	PART	1
9	98069	LABEL, PNXXX, SUITABLE FOR DAMP LOCATIONS	PART	1
10	98088	LABEL, MIN 75 C SUPPLY CONDUCTORS	PART	1

PN: DWRR SOLD SEPARATELY



TESTING	-	-	-
ASSEMBLY	-	-	-
PLATING	-	-	-
POLISHING	-	NEXT ASSY	USED ON
MACHINING	-	APPLICATION	
TOOLING FIXTURE #	REMOVE ALL BURRS AND SHARP EDGES		

UNITS ARE: INCHES [MM]  
 TOLERANCES ARE:  
 FRACTIONS DECIMALS ANGLES  
 $\pm 1/16"$   $.X \pm .1$  [2,5]  $\pm 1^\circ$   
 $.XX \pm .06$  [1,3]

(X.XXX) DENOTES CRITICAL DIMS.  
 ALL THREADS ARE CRITICAL

**BRASSTECH** 2001 CARNEGIE AVE.  
 INCORPORATED SANTA ANA, CA 92705  
 (949) 417-5207

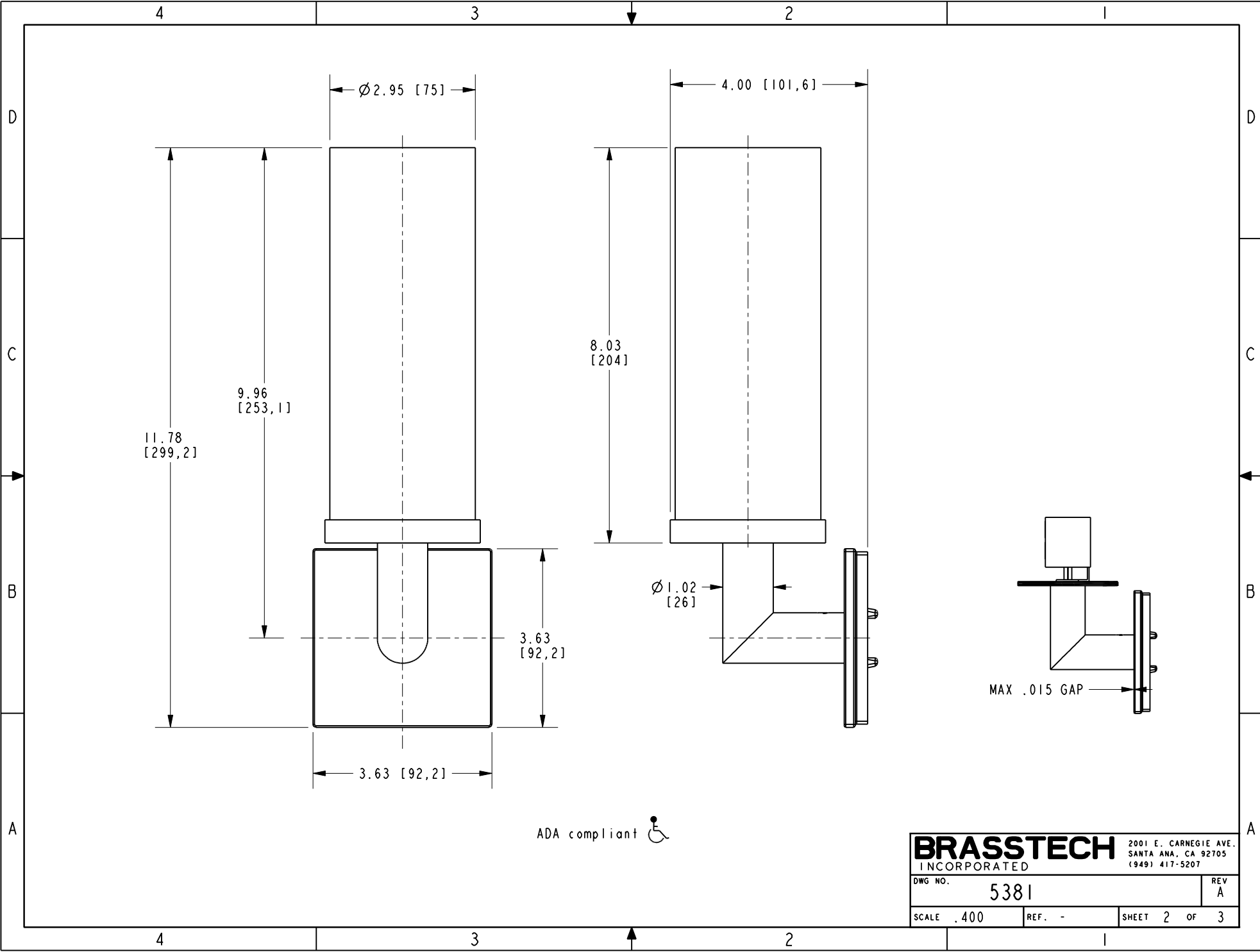
SINGLE LIGHT W/SMALL BASE


-	A	EN-3127	08/29/16	R.S.
-	-	EN-2927	08/21/15	J.M.
ZONE	REV	DESCRIPTION	DATE	APPROVED

COPYRIGHT 2005 BRASSTECH, INC.  
 THESE DRAWINGS AND THE DESIGNS  
 DEPICTED HEREIN ARE THE PROPRIETARY  
 PROPERTY OF BRASSTECH. ANY USE  
 OR REPRODUCTION IS SUBJECT TO  
 THE EXPRESS APPROVAL OF BRASSTECH.  
 UNAUTHORIZED USE IS STRICTLY  
 PROHIBITED. ALL RIGHTS RESERVED.

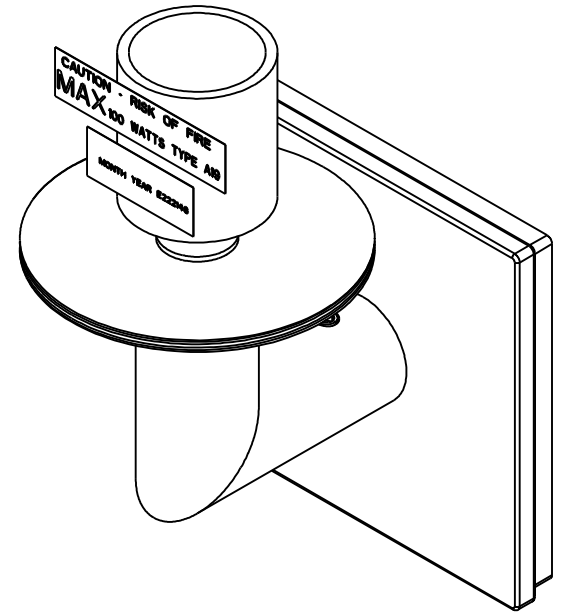
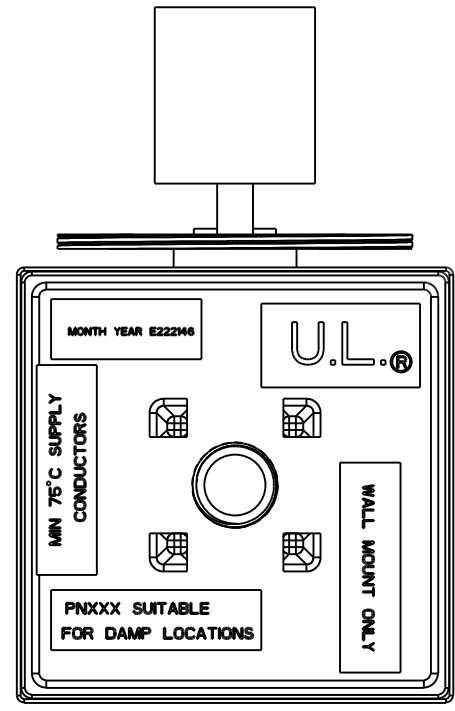
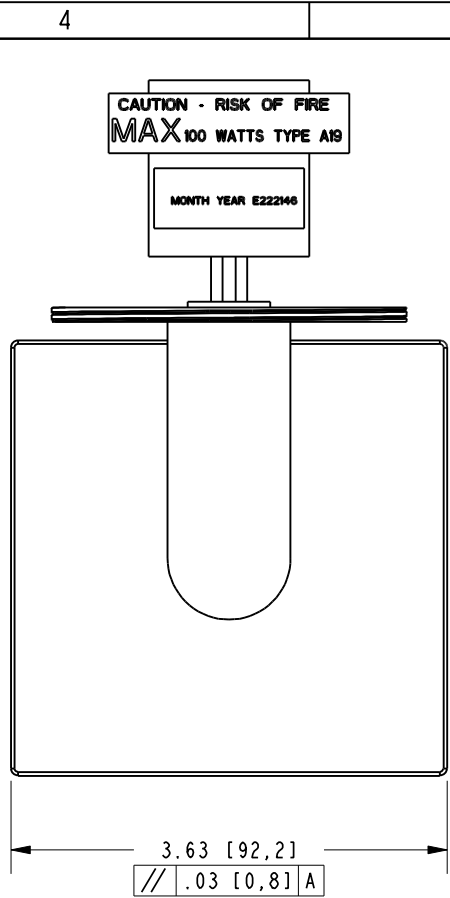
DRAWN VINAY 08/29/16  
 CHECKED RAVINDRA 08/29/16  
 APPROVED R.S. 08/29/16

DWG NO. 5381  
 SCALE .375 REF. - SHEET 1 OF 3



ADA compliant 

<b>BRASSTECH</b>		2001 E. CARNEGIE AVE.
INCORPORATED		SANTA ANA, CA 92705
		(949) 417-5207
DWG NO.	5381	REV A
SCALE .400	REF. -	SHEET 2 OF 3



**BRASSTECH** 2001 E. CARNEGIE AVE.  
 INCORPORATED SANTA ANA, CA 92705  
 (949) 417-5207

DWG NO.	5381	REV	A
SCALE	.625	REF.	-
		SHEET	3 OF 3