

4

3

2

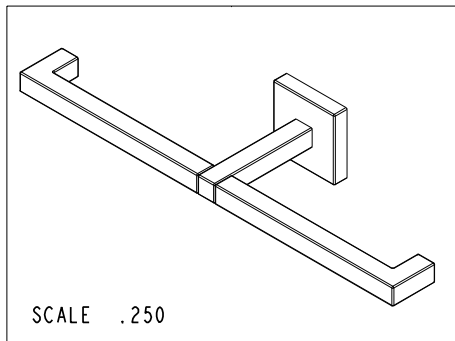
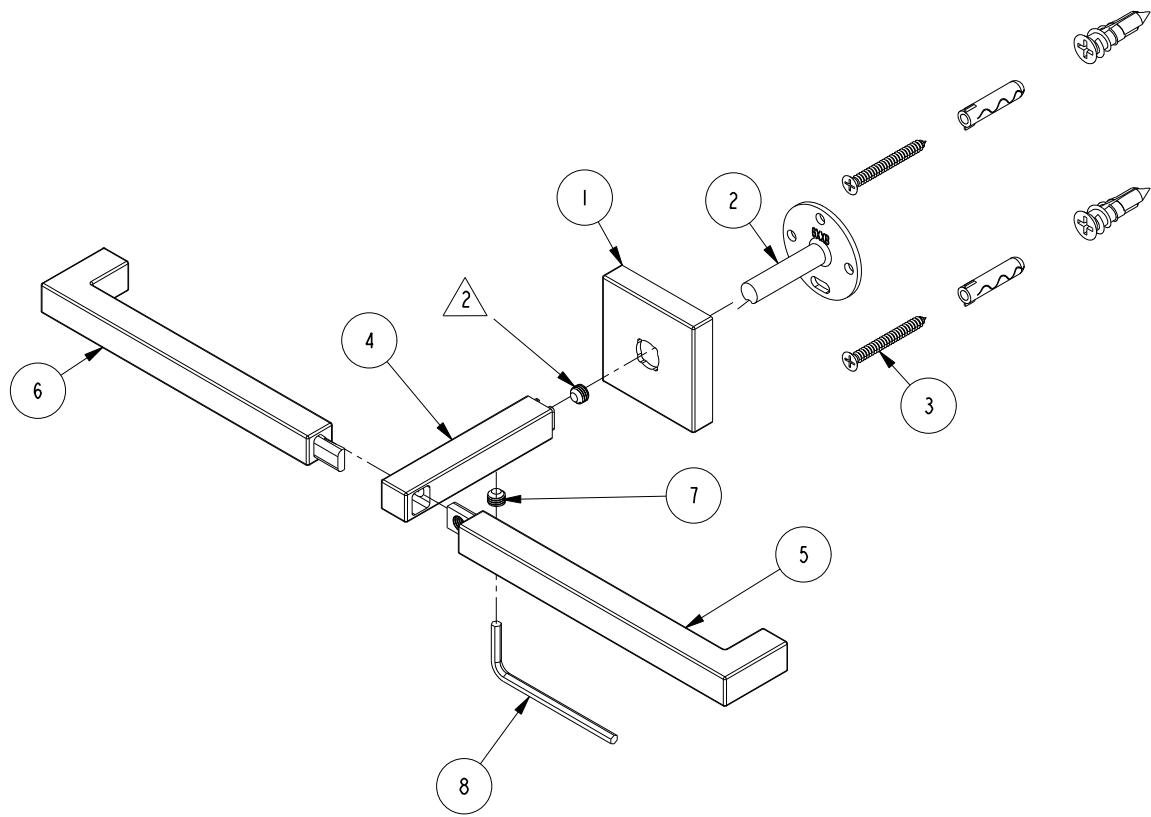
NOTES:

(N1) 1. FIT / FORM / FUNCTION SHALL FOLLOW PS-E.008.

(N2) \triangle 2 APPLY LOCTITE 680.

BILL OF MATERIAL (CURRENT LEVEL)

ITEM	PT/ASSY	DESCRIPTION	TYPE	QTY.
1	40596	ESCUTCHEON	PART	1
2	6XXB	MOUNTING BRACKET	PART	1
3	1-206	HARDWARE PACK	ASSEMBLY	1
4	40602	DOUBLE TISSUE POST	PART	1
5	40610	RIGHT DBL TISSUE POST	PART	1
6	40611	LEFT DBL TISSUE POST	PART	1
7	92563	SCRW, 1/4-28 X 3/16 SKT HD CUP PT SS	PART	2
8	92422	HEX KEY, 1/8" ALLOY STEEL	PART	1



COPYRIGHT 2005 BRASSTECH, INC. THESE DRAWINGS AND THE DESIGNS DEPICTED HEREIN ARE THE PROPRIETARY PROPERTY OF BRASSTECH. ANY USE OR REPRODUCTION IS SUBJECT TO THE EXPRESS APPROVAL OF BRASSTECH. UNAUTHORIZED USE IS STRICTLY PROHIBITED. ALL RIGHTS RESERVED.

TESTING	-	-	-
ASSEMBLY	-	-	-
PLATING	-	-	-
POLISHING	-	NEXT ASSY	USED ON
MACHINING	-	APPLICATION	
TOOLING FIXTURE #	REMOVE ALL BURRS AND SHARP EDGES		

UNITS ARE: INCHES [MM]	
TOLERANCES ARE:	
FRACTIONS	DECIMALS
$\pm 1/16"$	$\pm .005$
$.X \pm .1$ [2,5]	ANGLES $\pm 1^\circ$
$.XX \pm .06$ [1,3]	
(X.XXX) DENOTES CRITICAL DIMS. ALL THREADS ARE CRITICAL	
DRAWN	R.S. 11/06/15
CHECKED	J.M. 11/06/15
APPROVED	J.M. 11/06/15

BRASSTECH 2001 CARNEGIE AVE. SANTA ANA, CA 92705 (949) 417-5207
INCORPORATED

DOUBLE OPEN TT HOLDER

DWG NO. **5209** REV -

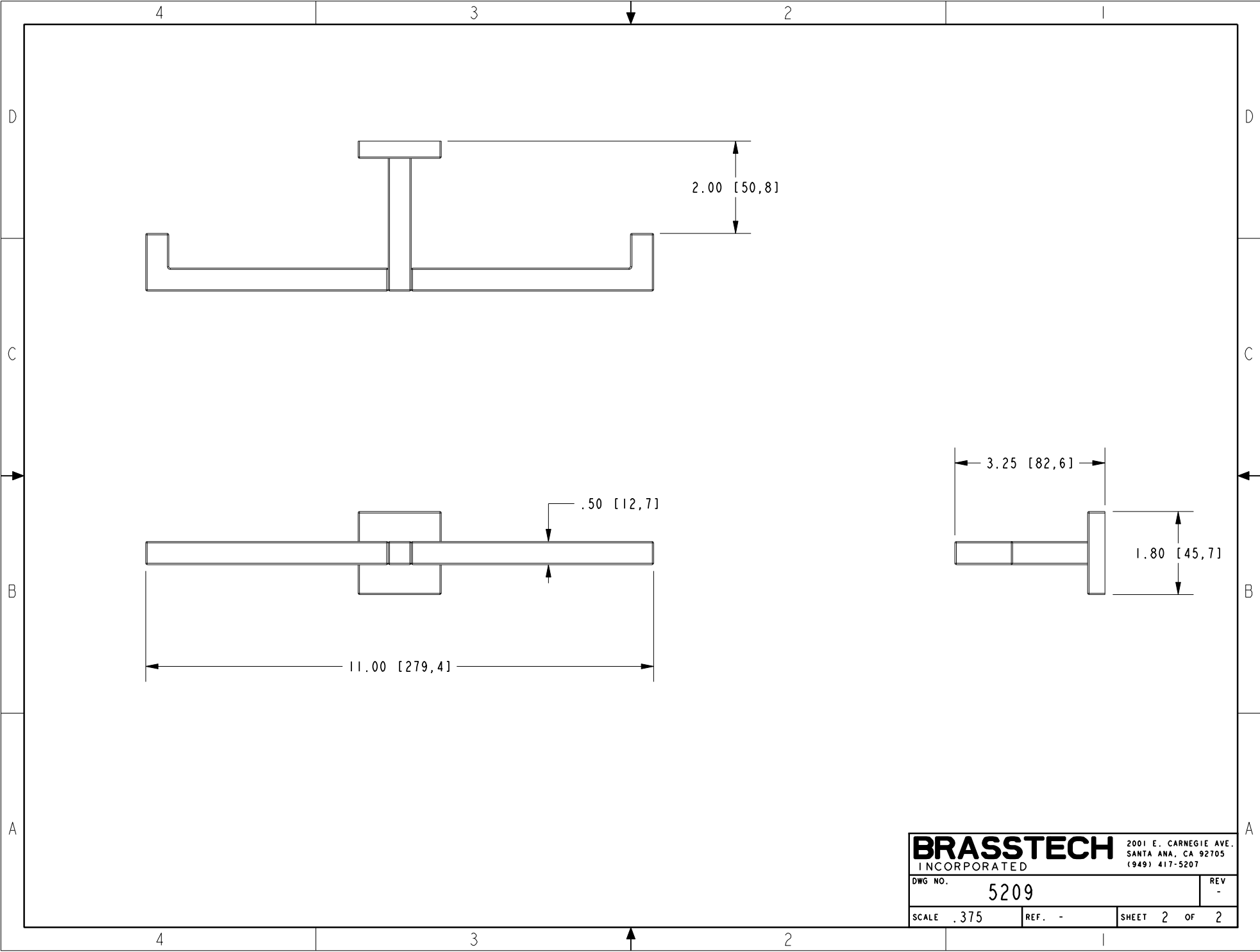
SCALE .375 REF. - SHEET 1 OF 2

-	-	EN-2846	11/06/15	J.M.
ZONE	REV	DESCRIPTION	DATE	APPROVED

4

3

2



BRASSTECH		2001 E. CARNEGIE AVE.
INCORPORATED		SANTA ANA, CA 92705
		(949) 417-5207
DWG NO.	5209	REV -
SCALE .375	REF. -	SHEET 2 OF 2