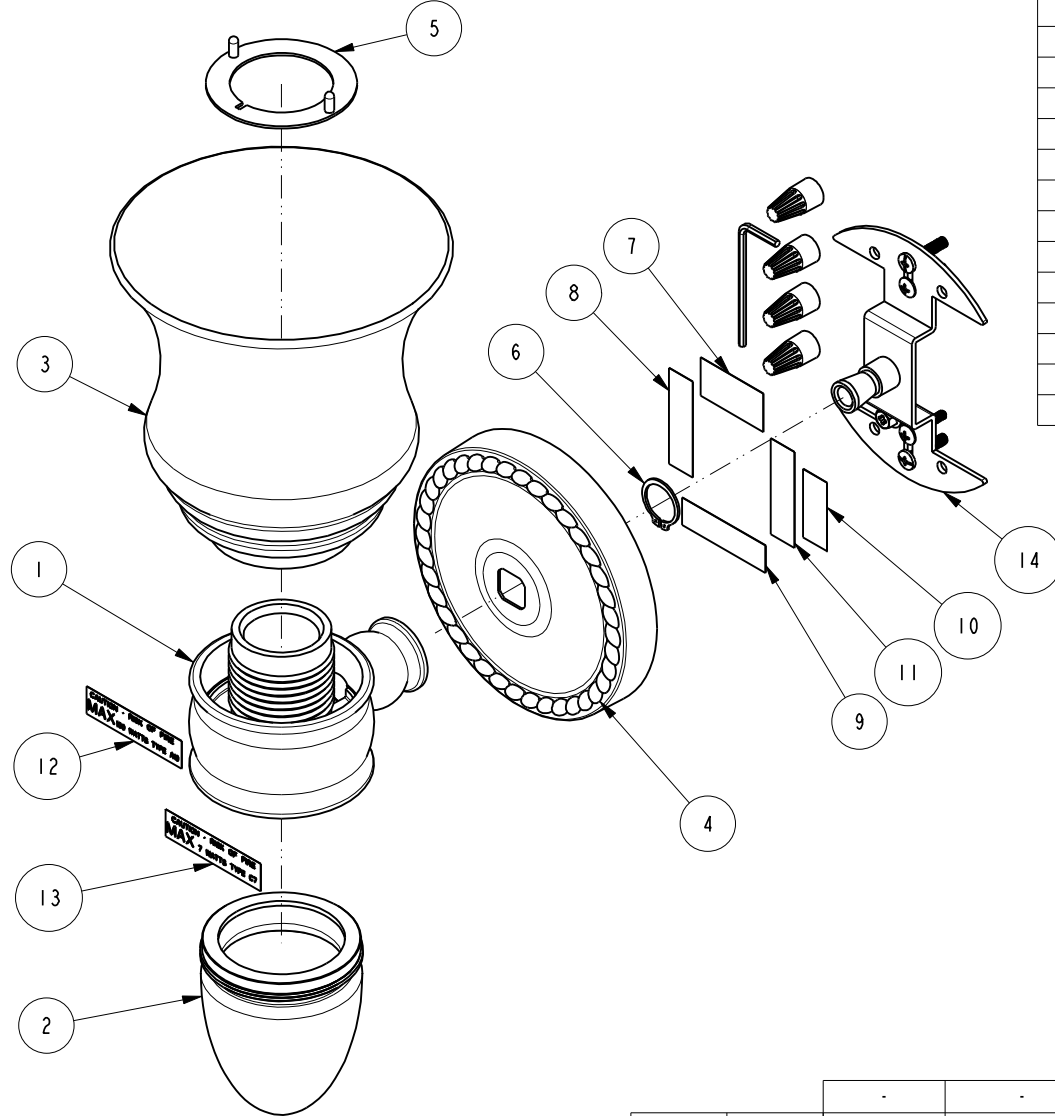


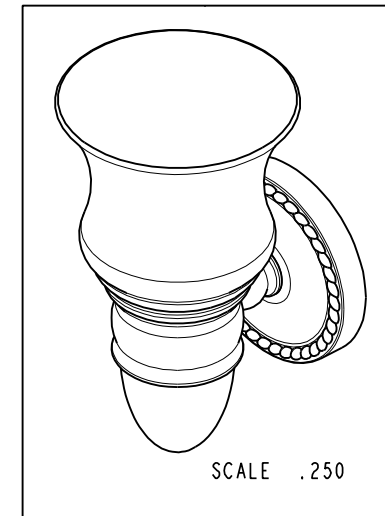
NOTES:

- (N1) 1. FIT / FORM / FUNCTION SHALL FOLLOW PS-E.008.



BILL OF MATERIAL (CURRENT LEVEL)

ITEM	PT/ASSY	DESCRIPTION	TYPE	QTY.
1	1181-BAW	BODY ASSEMBLY WIRED	ASSEMBLY	1
2	1181-BG-E	REPLACEMENT BOTTOM GLASS SHADE SATIN ETCHED	ASSEMBLY	1
3	1181-TG-E	SATIN ETCHED CLEAR GLASS SHADE	PART	1
4	1581-RB	CANTERBURY BASE	PART	1
5	9395	STEEL RING	PART	1
6	92318	SNAP RING, 17MM X 1MM STEEL EXTERNAL	PART	1
7	98006	LABEL, UL LISTED	PART	1
8	98012	LABEL, WALL MOUNT ONLY	PART	1
9	98069	LABEL, PNXXX, SUITABLE FOR DAMP LOCATIONS	PART	1
10	98079	LABEL, MONTH YEAR E222146	PART	1
11	98088	LABEL, MIN 75 C SUPPLY CONDUCTORS	PART	1
12	98101	LABEL, 100 WATTS MAX	PART	1
13	98110	LABEL, 7 WATTS MAX	PART	1
14	CB-002	LIGHT MOUNTING PACK	ASSEMBLY	1



ZONE	REV	DESCRIPTION	DATE	APPROVED
-	D	EN-3127	08/29/16	R.S
-	C	EN-2884	04/20/15	J.M.
-	B	EN-2416B	02/22/13	-
-	A	EN-1008	10/09/09	-

COPYRIGHT 2005 BRASSTECH, INC. THESE DRAWINGS AND THE DESIGNS DEPICTED HEREIN ARE THE PROPRIETARY PROPERTY OF BRASSTECH. ANY USE OR REPRODUCTION IS SUBJECT TO THE EXPRESS APPROVAL OF BRASSTECH. UNAUTHORIZED USE IS STRICTLY PROHIBITED. ALL RIGHTS RESERVED.

TESTING	HIPOT TEST		
ASSEMBLY	-	-	-
PLATING	-	-	-
POLISHING	-	NEXT ASSY	USED ON
MACHINING	-	APPLICATION	
TOOLING	FIXTURE #	REMOVE ALL BURRS AND SHARP EDGES	

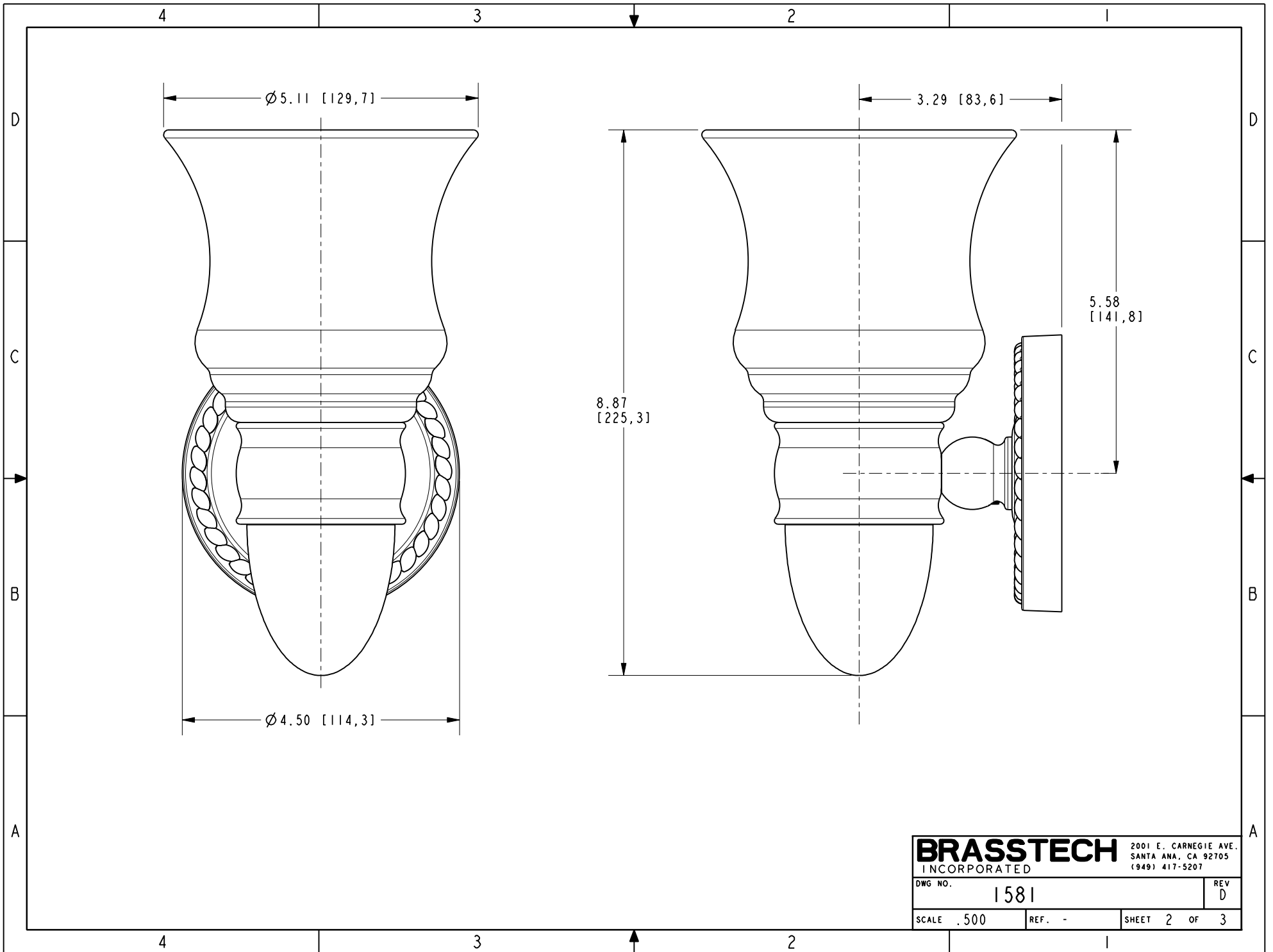
UNITS ARE: INCHES [MM]
TOLERANCES ARE:
FRACTIONS DECIMALS ANGLES
 $\pm 1/16"$.X $\pm .1$ [2.5] $\pm 1"$
.XX $\pm .06$ [1.5]
(X.XXX) DENOTES CRITICAL DIMS.
ALL THREADS ARE CRITICAL
DRAWN JINSON 08/26/16
CHECKED RAVINDRA 08/26/16
APPROVED J.M 08/26/16

BRASSTECH 2001 CARNEGIE AVE.
INCORPORATED SANTA ANA, CA 92705
(949) 417-5207

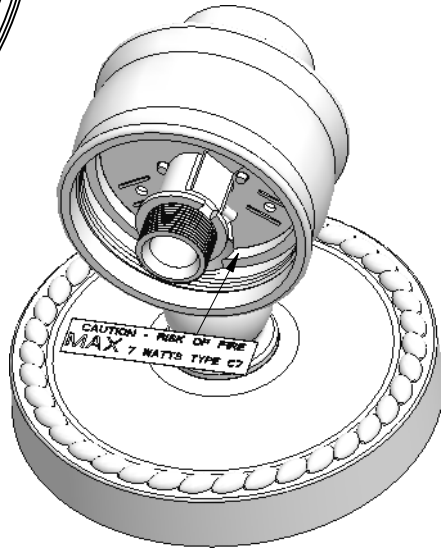
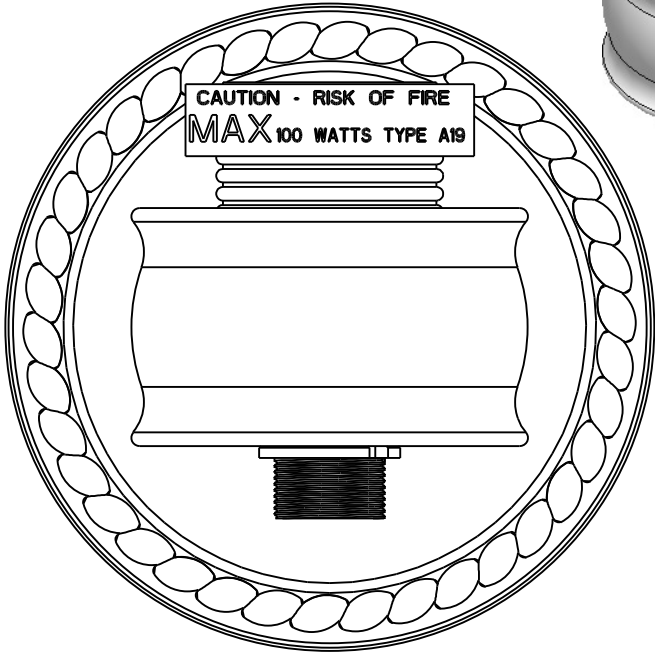
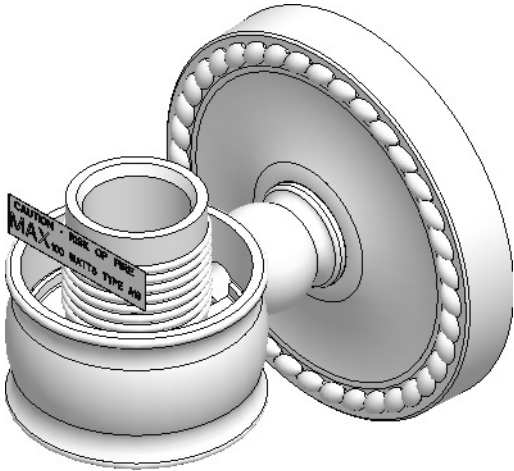
SATIN ETCHED GLASS WITH
NIGHT LIGHT OPTION

DWG NO. 1581 REV D

SCALE .350 REF. - SHEET 1 OF 3



BRASSTECH		2001 E. CARNEGIE AVE.	
INCORPORATED		SANTA ANA, CA 92705	
DWG NO. 1581		REV D	
SCALE .500	REF. -	SHEET 2 OF 3	



BRASSTECH		2001 E. CARNEGIE AVE.	
INCORPORATED		SANTA ANA, CA 92705	
DWG NO. 1581		REV D	
SCALE .500	REF. -	SHEET 3 OF 3	