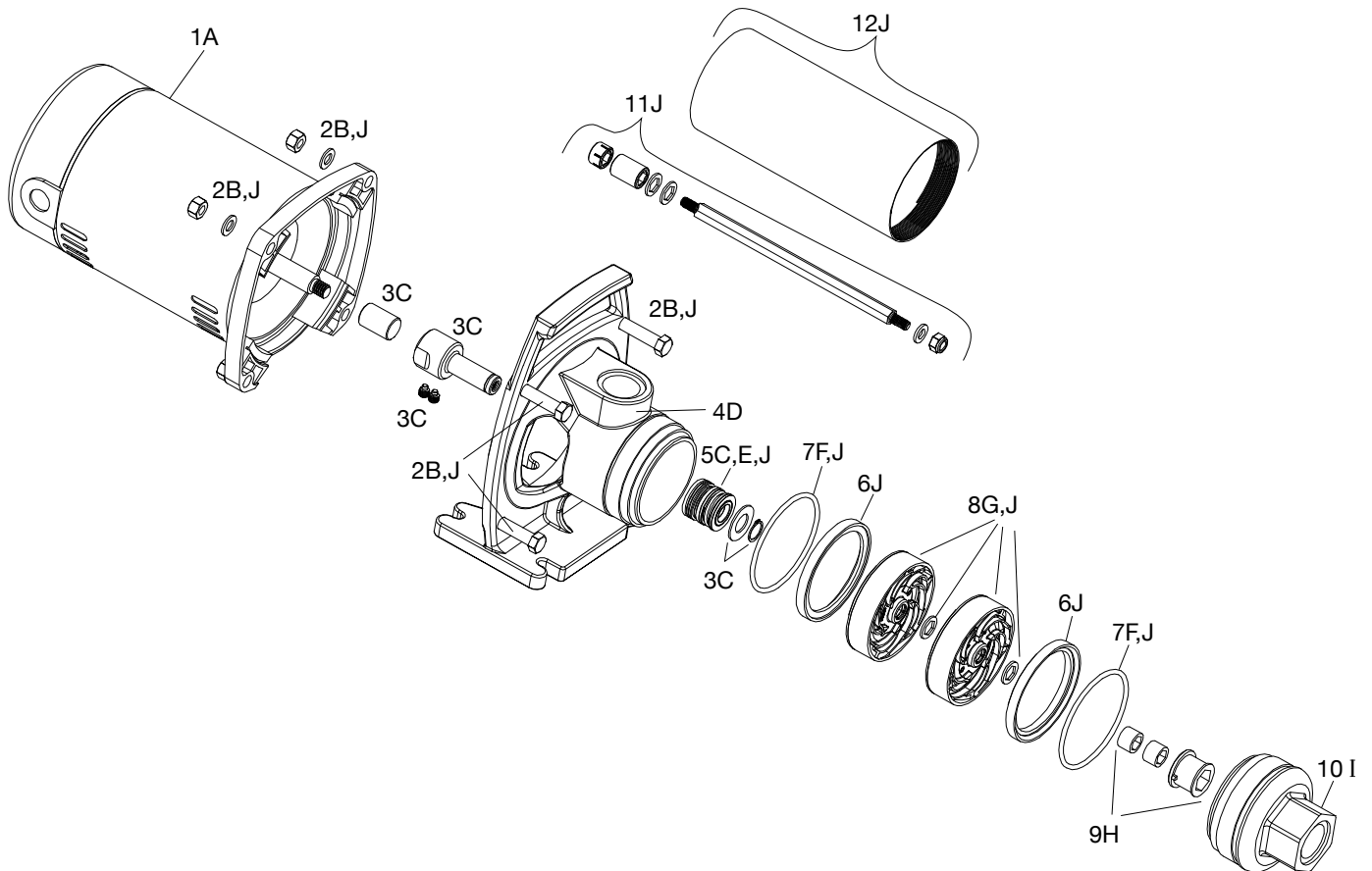


Booster Pump Parts

Booster Pump Models BT4 & WHB:



Booster Pump Parts

Booster Pump Models BT4 & WHB:

FIG. NO.	DESCRIPTION	CONST. MATERIAL	KIT (1) GROUPING IDENTIFIER	REPAIR PART ORDER CODES BY MOTOR SIZE						
				1/3 HP (1.95 SF) 1/2 HP (1.3 SF)	1/2 HP (1.90 SF) 3/4 HP (1.27 SF)	3/4 HP (1.65 SF) 1.0 HP (1.25 SF)	1.0 HP (1.65 SF) 1.5 HP (1.10 SF)	1.5 HP (1.47 SF) 2.0 HP (1.10 SF)	2.0 HP (1.25 SF)	3.0 HP (1.15 SF)
1	Single-phase Motor		A	305374908	305374903	305374906	305374907	305374909	305374911	305374912
	Three-phase Motor				305374954	305374955	305374956	305374957	305374958	305374959
2	Fastener kit		B	305421901						
3	Coupling kit (2)	Stainless Steel	C	305421902						
		Cast Iron		305421903						
4	Pump/motor bracket	Stainless Steel	D	305421904						
		Cast Iron		305421905						
5	Mechanical seal	Stainless Steel	E	305421906						
		Cast Iron		305421907						
6	Suction/discharge spacers			Not available as separate components, included in the hydraulic overhaul kit only						
7	O-ring set		F	305421908						
8	Stage assembly		G	305404911						
	5 gpm			305404912						
	7 gpm			305404913						
	10 gpm			305404914						
	15 gpm			305404915						
	20 gpm			305404916						
25 gpm										
9	Top bearing		H	305421909						
10	Discharge head		I	305421910						
11	Pump shaft (and shaft hardware)			Not available as separate components, included in the hydraulic overhaul kit only						
12	Pump shell			Not available as separate components, included in the hydraulic overhaul kit only						
13	Hydraulic overhaul kit (3)		J							
	5 gpm	Stainless Steel		305422901	305422902	305422903	305422904			
	7 gpm				305422905	305422906	305422907	305422908		
	10 gpm				305422909	305422910	305422911	305422912	305422913	
	15 gpm					305422914	305422915	305422916	305422917	
	20 gpm					305422918	305422919	305422920	305422921	305422922
25 gpm					305422923	305422924	305422925	305422926		
13	Hydraulic overhaul kit (3)		J							
	5 gpm	Cast Iron		305423901	305423902	305423903				
	7 gpm			305423904	305423905	305423906	305423907			
	10 gpm			305423908	305423909	305423910	305423911	305423912		
	15 gpm				305423913	305423914	305423915	305423916		
	20 gpm				305423917	305423918	305423919	305423920		305423921
25 gpm				305423922	305423923	305423924		305423925		

(1) Items with like identifiers are sold/packaged together

(2) Coupling kit ships with mechanical seal

(3) Hydraulic overhaul kit is the combination of figure numbers 2, 5, 6, 7, 8, 11, 12