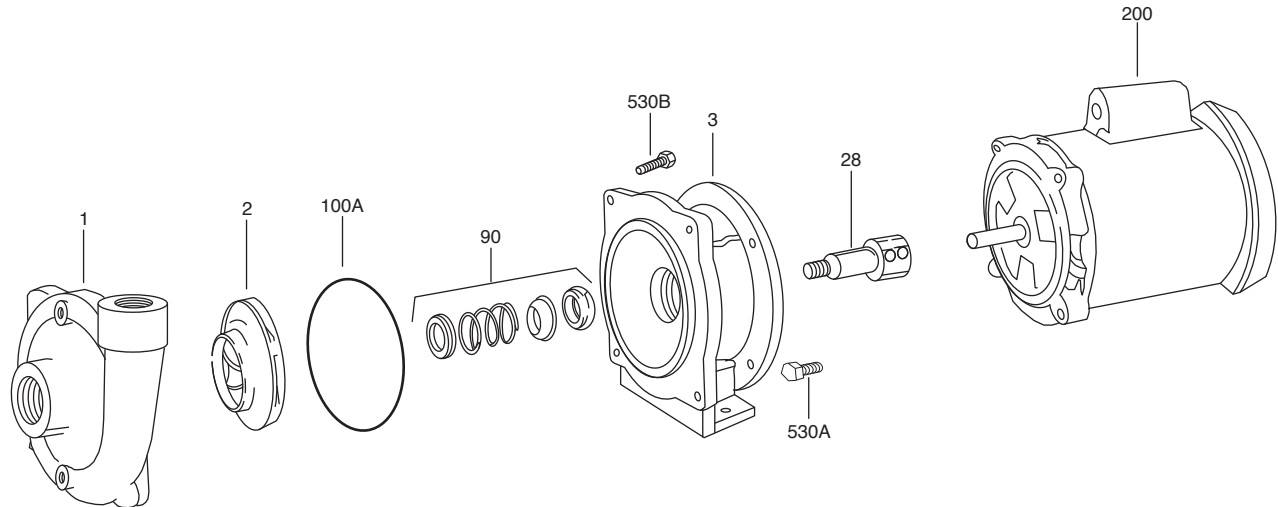


Close-Coupled D-Series DA1A

Exploded Parts Drawing:



Materials and Parts:

Fig. No.	Part Description	Repair No.	Materials of Construction
1	Volute Case (NPT) w/plugs	305717001	Cast Iron, ASTM-A48 CL30
2	1/2hp Impeller Trim 4.13" (9/16-18 Thd)	305717003	304 stainless steel
2	3/4hp Impeller Trim 4.70" (9/16-18 Thd)	305717004	304 stainless steel
2	1hp Impeller Trim 5.06" (9/16-18 Thd)	305717005	304 stainless steel
3	Motor Bracket	305717006	Cast Iron, ASTM-A48 CL30
28	Coupling (includes set screws)	305447022	416 Stainless steel
90	Mechanical Shaft Seal	305463203	Carbon/Ceramic/Buna/316SS
100A	Volute Case O-Ring (2-pack)	305463209	Nitrile
200	Motor	See Motor Section	
Not Shown	Pipe Plug (4-pack)	305463009	Cad-Plated Steel
530A	Motor Bracket Hex Cap Screw	305463030	Zinc Plated Steel
530B	Volute Case Hex Cap Screw	305463030	Zinc Plated Steel