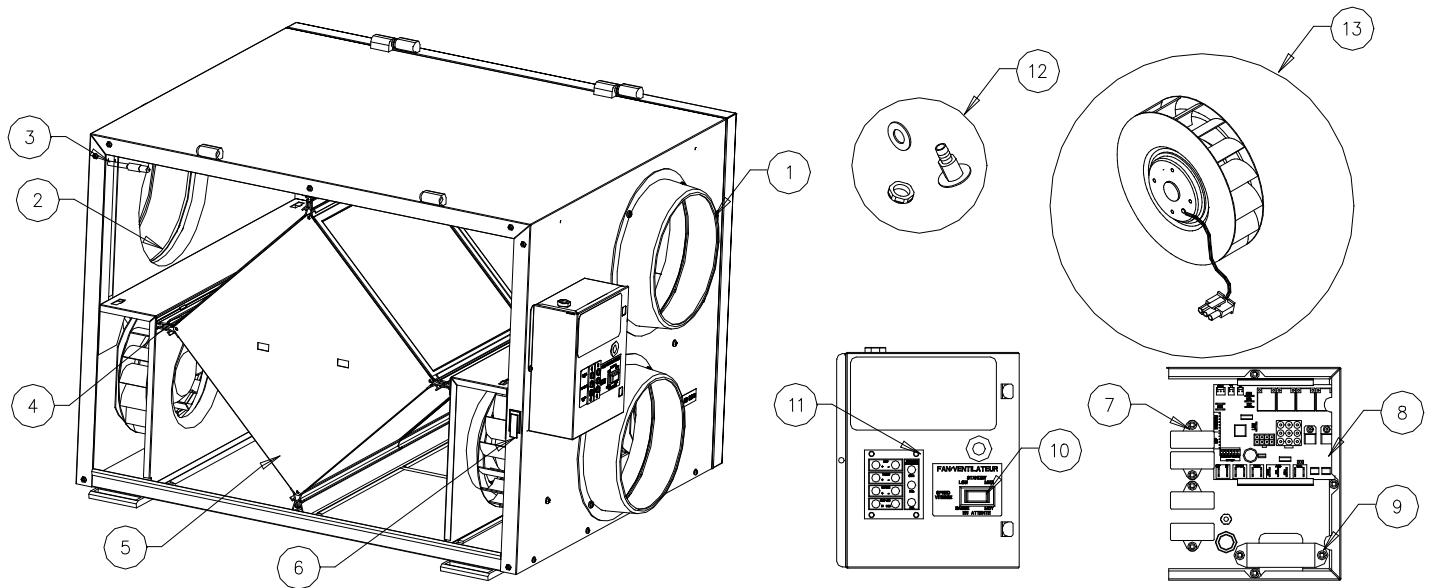


# SER3204D

## Energy Recovery Ventilator/Ventilateur récupérateur d'énergie



BOM #	Description	SER3204D (40226)
1	8" Collar	410533
2	8" Collar Insert	411467
3	Temperature Probe	40326
4	Electrostatic Filters Kit 11.5" x 11"	40328
5	Energy Recovery Cell	422712
6	Door Switch	410867
7	Capacitors, 6uF	411222
8	Electronic Board	402004
9	Auto-Transformer	411963
10	Control Switch	410213
11	PCB, Wiring Panel	411719
12	Kit Drain Plug	40315
13	Motor Assembly	405520
	Door Kit	405540
	Kit, Chain	404261
	Wiring Diagram	403335
	Installation Manual	401455