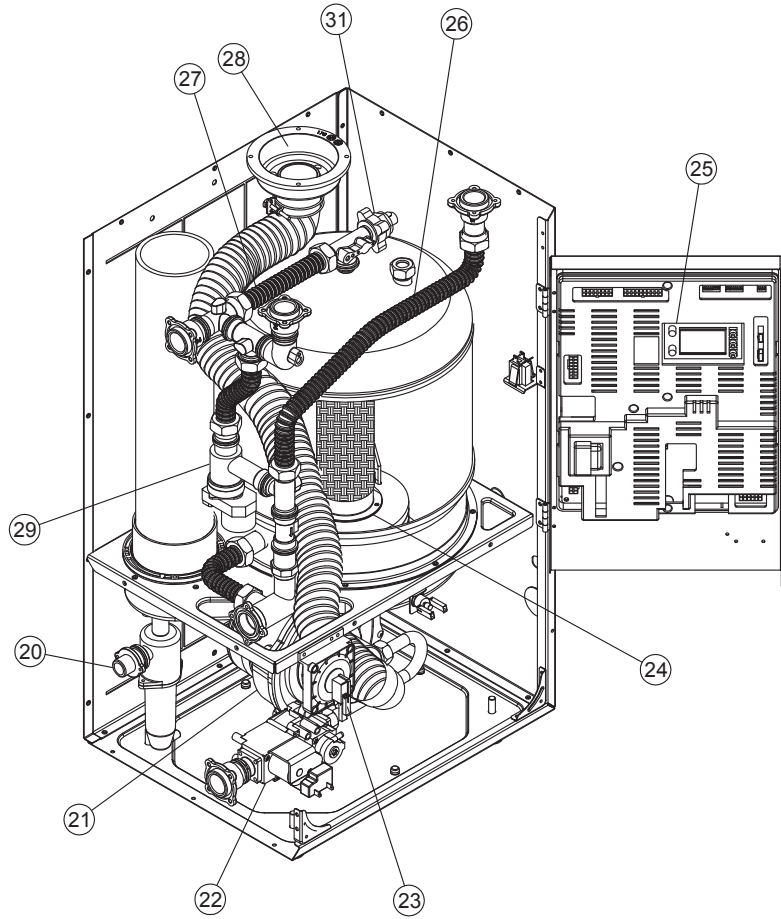
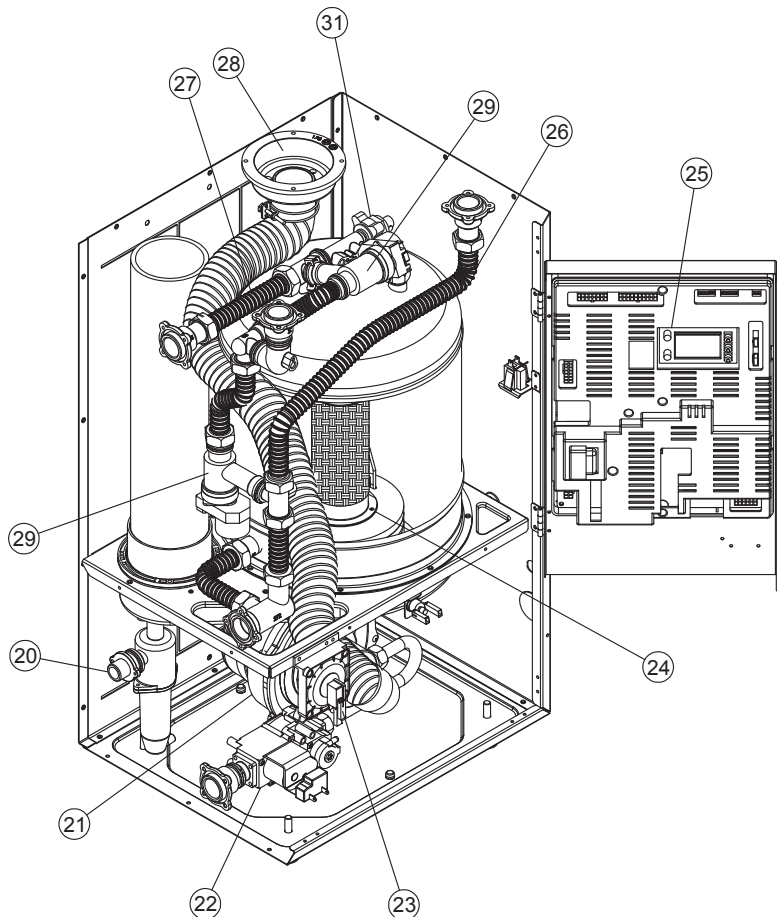


Parts Diagram for Model GU195(S) / 508(11,12,21,22)1195(S)



Parts Diagram for Model GU195(M) / 508(11,12,21,22)1195(M)



Parts List for Model GU195(S,M) / 508(11,12,21,22)1195(S,M)

KEY	DESCRIPTION
1	Panel, Front Assembly
2	Panel, Top / Rear Assembly
3	Panel, Rear
4	Panel, Left Assembly
5	Panel, Right Assembly (GU195(S,M))
6	Panel, Bottom
7	Mounting Bracket
8	Wall Bracket
9	Controller / Front
10	T&P Relief Valve (Cash Acme)
11	Vent Collar
12	Vent Collar Packing
13	Rubber Foot
14	Drain Valve Assembly
15	Main Power Cord
16	Handle
17	Condensing Nipple
18	Mesh Screen
19	Outdoor Venting Cap (Optional)
20	Trap Cleaner Assembly
21	Radial Blower Assembly
22	Gas Valve
23	Air Pressure Switch (GU195(S,M))
24	Burner Assembly
25	Main Controller (GU195(S,M))
26	Cold Water Tube Assembly (GU195(S,M))
27	Hot Water Tube Assembly (GU195(S,M))
28	Flexible Silencer Kit
29	Mixing Valve
30	EC Adapter
31	Water Pressure Switch