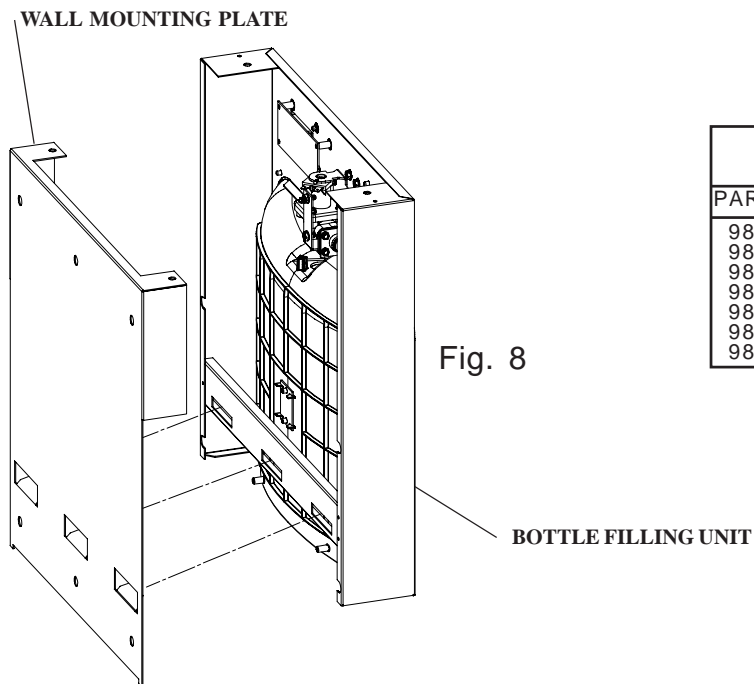


**DRAIN MAT EXPLODED VIEW**

**Fig. 7**

**DRAIN MAT ASSEMBLY AND CARE**

- 1) Place Drain Cover on mat and install the four screws as shown in Fig. 8.
- 2) It is recommended that the cover be removed and the drain cover be cleaned weekly. To dis-assemble or re-assemble the drain cover the mat can be picked up from the front to access the screws beneath.



**Fig. 8**

<b>REPLACEMENT PART KITS</b>	
<b>PART NO.</b>	<b>DESCRIPTION</b>
98543C	Kit - Electrical Package
98544C	Kit - IR Sensor
98545C	Kit - Solenoid Valve Replacement
98546C	Kit - Aerator Replacement
98666C	Kit - Top Cover Replacement
98667C	Kit - Drain Mat & Cover Replacement
98549C	Kit - Hardware & Waterway Parts

REPAIR SERVICE INFORMATION TOLL FREE NUMBER 1.800.260.6640  
 NÚMERO GRATIS DE SERVICIO 1.800.260.6640  
 INFORMATIONS POUR LE SERVICE PAR NUMERO SANS FRAIS 1.800.260.6640

FOR PARTS, CONTACT YOUR LOCAL DISTRIBUTOR OR CALL 1.800.323.0620  
 PARA PIEZAS, CONTACTE A SU DISTRIBUIDOR LOCAL O LLAME AL 1.800.323.0620  
 POUR OBTENIR DES PIÈCES, CONTACTEZ VOTRE DISTRIBUTEUR LOCAL OU COMPOSEZ LE 1.800.323.0620

**ELKAY MANUFACTURING COMPANY • 2222 CAMDEN COURT • OAK BROOK, IL 60523 • 630.574.8484**

PRINTED IN U.S.A.  
 IMPRESO EN LOS E.E.U.U.  
 IMPRIME AUX E.-U.