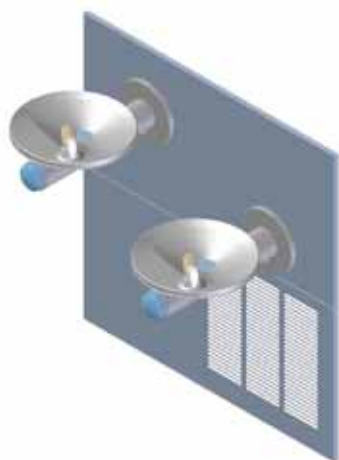
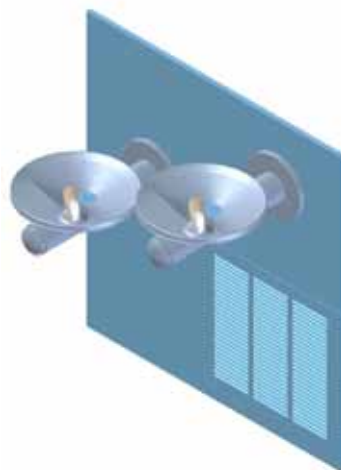




# SWIRLFLO™ Refrigerated fountains with FLEXI-GUARD™



ERP2-8C



ERP2-8RAC

## INSTALLER

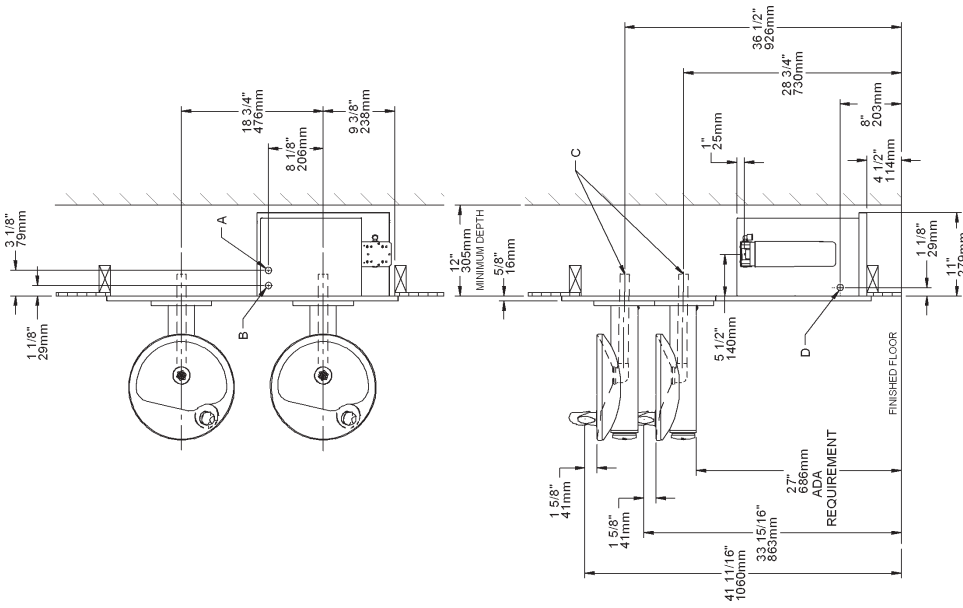
- CAUTION:** Review these instructions before beginning installation. Be sure that installation conforms to all plumbing, electrical and other applicable codes.
- WARNING:** When installation is complete, ensure these instructions are left in the plastic bag provided inside the installed unit for future reference.
- WARNING:** Service to be performed by authorized service personnel only.

NOTE: It is common practice to ground electrical hardware such as telephones, computers and other devices to available water lines. This can, however, cause electrical feedback in the plumbing circuit, which results in an “electrolysis” effect occurring in the fountain. This may result in water which has a metallic taste to it or has a noticeable increase in the metallic content of the water.

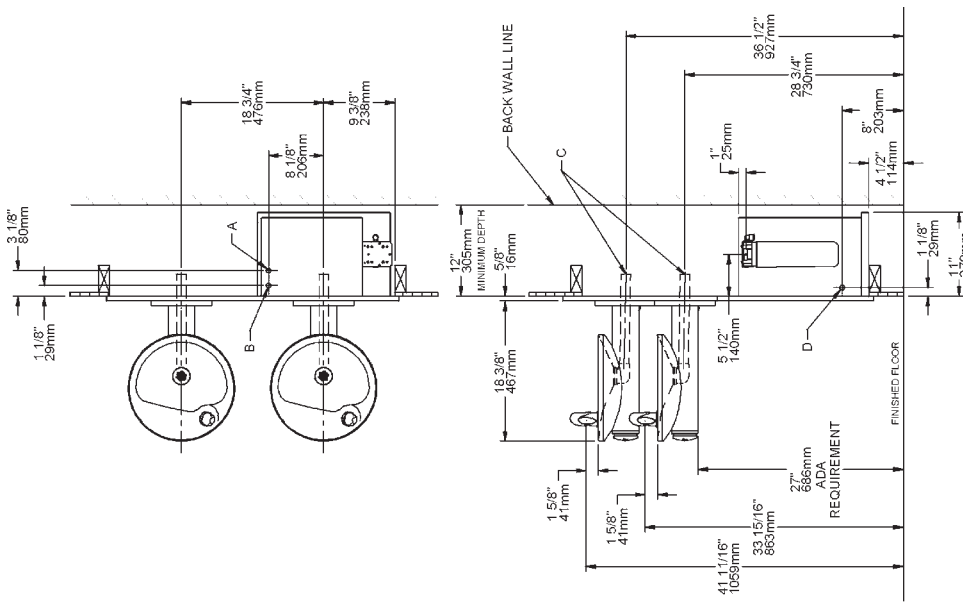
When inspecting plumbing circuit, remember the line may be grounded some distance from the installation, and may occur outside the building or area in which the unit is being installed.

This condition can be avoided (in most cases) by using recommended materials during installation. Any drain fittings provided by the installer should be made of **plastic** which will electronically isolate the fountain from the remainder of the building’s plumbing circuits.

Model LRPB2-8RAC



Model LRPB2-8C



**LEGEND**  
 A = 1/4" O.D. Tube - Water Outlet Connection  
 B = 3/8" O.D. Tube - Water Inlet Connection  
 C = 1-1/4" Waste Tube  
 D = ELECTRICAL INLET

Figure 1 - Rough-in Dimensions



Figure 2 - Chiller Installation

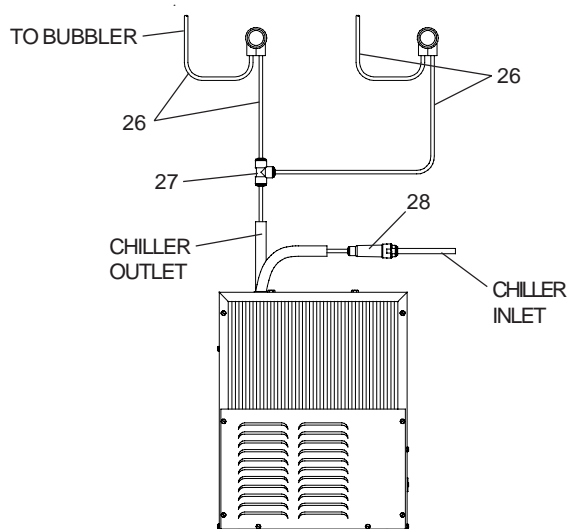


Figure 3 - ERPB Tube Routing

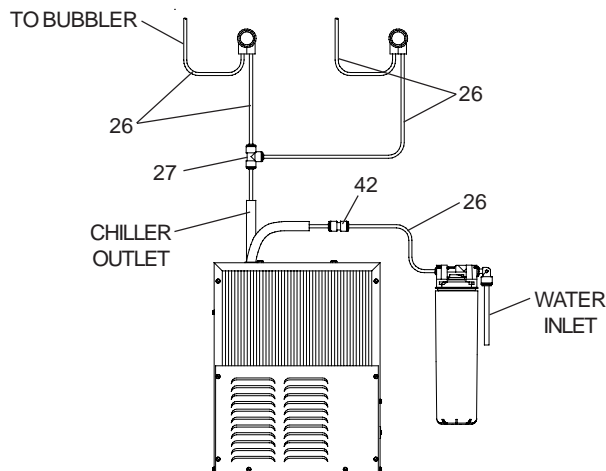


Figure 4 - LRPB Tube Routing

## REQUIRED TOOLS AND MATERIALS

These tables show special tools and/or additional materials (not provided) which are necessary to complete installation of these units:

### Special Tools

Item	Description	Quantity
	NONE	

### Additional Materials

Item	Description	Quantity
1	Unplated copper inlet pipe	
2	Service Stop	

1. **Install chiller:** Remove front panel of chiller. **Remove and discard cardboard inner pack from between compressor and side panel.** Slide chiller onto the shelf and position it to the left as per dimensions in Figure 1.

**Note:** Building construction must allow for adequate air flow on both sides, top and back of chiller. A minimum of 4" (102mm) on both sides and top is required. See chiller installation for additional instructions.

2. **Make water supply connections.** Install a shut-off valve and union connection to building water supply (valve and union not provided). Turn on water supply and flush the line thoroughly.
3. **ERP Models:** Make connection between remote chiller and building supply line. Inlet port is marked on the chiller (1/4" O.D. copper tube). Bend the copper tube (provided) at an appropriate length from chiller to opening in frame. Install the in-line strainer (provided with chiller) by pushing it until it reaches a positive stop, approximately 3/4" (19mm) on the marked chiller inlet port. Connect building supply line to strainer. (See Figure 3)

**Caution:** DO NOT SOLDER tubes inserted into the strainer as damage to o-rings may result.

4. **LRPB Models:** Mount filter head assembly to side of chiller (See Figure 4). Make connections between filter and building supply line (3/8" O.D. tube not provided). Inlet port is marked on the chiller (1/4" O. D. copper tube). Install a 1/4" x 1/4" union (provided) on the marked chiller inlet port. Insert the 1/4" poly tubing (provided) into the fitting on filter and connect the union to the chiller. (See Figure 4)

**Caution:** DO NOT SOLDER tubes inserted into the strainer as damage to o-rings may result.

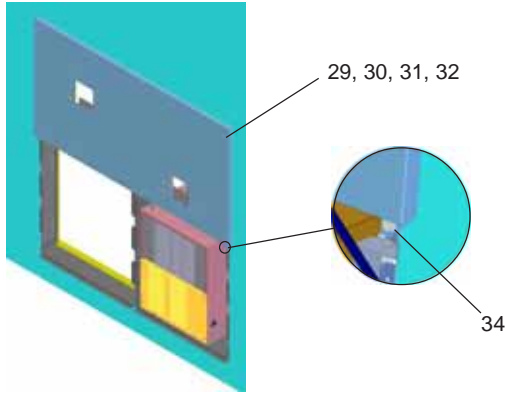
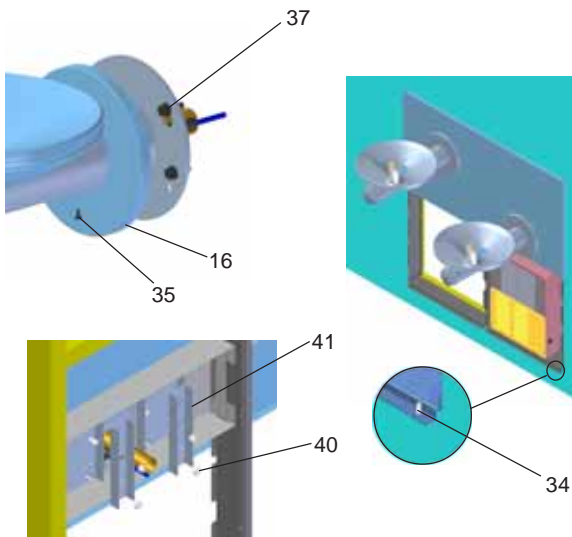


Figure 5 - Upper Panel Installation



View From Rear

Figure 6 - Fountain Installation

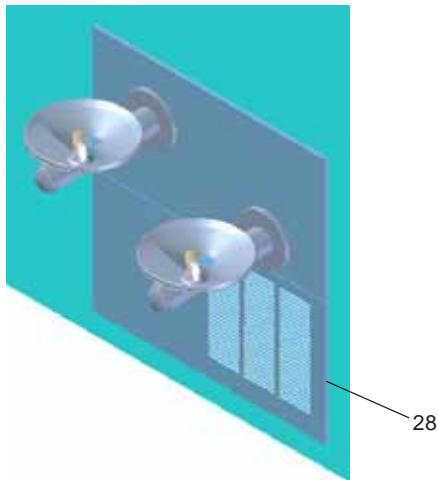


Figure 7 - Lower Panel Installation

5. **Hang** the upper panel on the mounting frame hanger. Be sure that the panel is engaged with hanger at the top of frame before releasing it. Align holes in the panel with holes in the mounting frame. Install two (2) #10-24 x 5/8" (16mm) screws (Item 29 - Figure 5) in holes and tighten securely.
6. **Install** the fountain. Remove the screw (Item 30) from cover plate and slide cover plate (Item 14) toward basin. Mount the fountain to the upper panel and frame with (4) 5/16" x 1" (25mm) bolts (Item 33), brackets (Item 36) and nuts (Item 35) provided. Tighten securely. **Brackets (Item 36) must be installed as shown to properly support fountains.** (See Figure 6)
7. **Attach waste tube** (1-1/4" O.D.) to 1-1/4" O.D. slip trap (provided by others).
8. **ERP Models:** Make connections between remote chiller outlet tube and fountain. Outlet port is marked on the chiller (1/4" O.D. copper tube). Install a 1/4" x 1/4" tee (provided) on the marked chiller outlet port. Insert the 1/4" poly tubing coming from the fountain into the union. Turn on the water supply and check for leaks.

**CAUTION:** DO NOT SOLDER tubes inserted into the strainer as damage to o-rings may result.

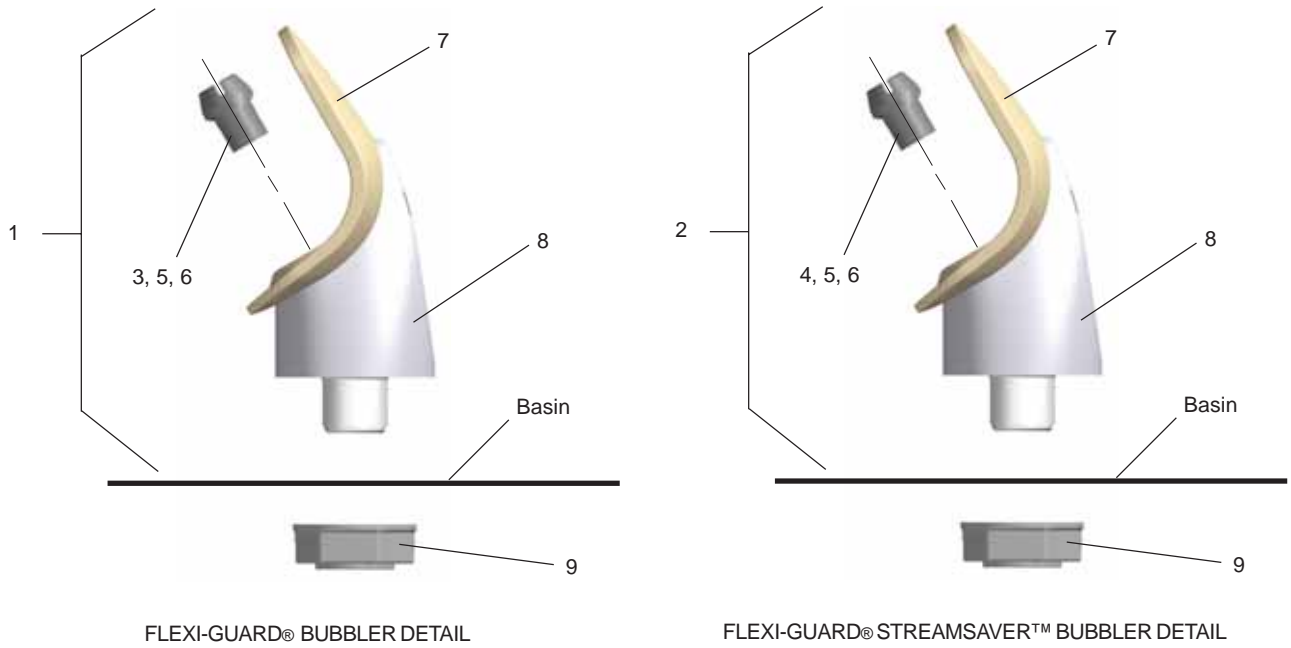
**LRP Models:** Make connections between remote chiller outlet tube and fountain. Outlet port is marked on the chiller (1/4" O.D. copper tube). Install a 1/4" x 1/4" tee (provided) on the marked chiller outlet port. Insert the 1/4" poly tubing coming from the fountain into the union.

**CAUTION:** DO NOT SOLDER tubes inserted into the strainer as damage to o-rings may result.

9. **These products are designed to operate on 20-105 PSIG supply line pressure.** If inlet pressure is above 105 PSIG, a pressure regulator must be installed in the supply line.

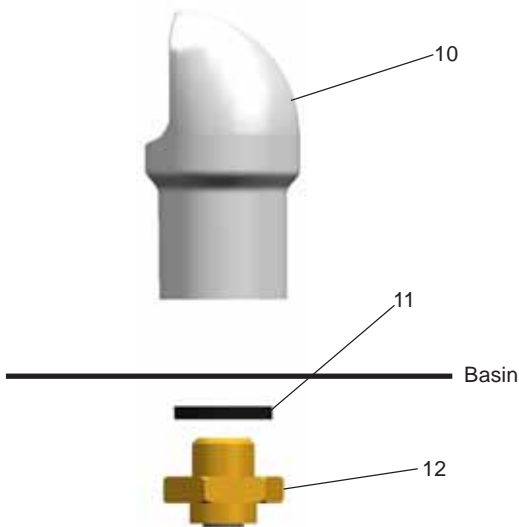
**CAUTION:** Any damage caused by connecting these products to a supply line with pressure lower than 20 PSIG or higher than 105 PSIG IS NOT covered under warranty.

10. **Make electrical connections to the chiller.** See chiller instructions.
11. **Check stream height from bubbler.** Stream height is factory set at 35 PSI. If supply pressure varies greatly from this, remove push button (Item 17 - Figure 11) and adjust the screw on the regulator (Item 19 - Figure 11). To remove push button, remove set screw from bottom of sleeve (Item 33). Insert a small punch in screw hole and push up while grasping the push button and pull forward removing the push button. Clockwise adjustment will raise stream height and counterclockwise movement will lower stream height. For best adjustment stream should hit basin approximately 6-1/2" from the bubbler. Reassemble push button by pushing in on button until the push button catches in the sleeve. Reinstall the setscrew (Item 33) in the sleeve (Item 15).
12. **Mount lower panel.** Loosen the three (3) #10-24 x 5/8" (16mm) screws (Item 29 - Figure 6) at frame bottom lip. Slide upper tongue of lower panel under lower edge of already installed upper panel. Tighten previously loosened screws securely. (See Figure 7)



**NOTE:**

When installing replacement bubbler and pedestal, tighten nut (Item 7) only to hold parts snug in position. Do Not Overtighten.



VANDAL RESISTANT BUBBLER DETAIL

Figure 8 - Bubbler Details

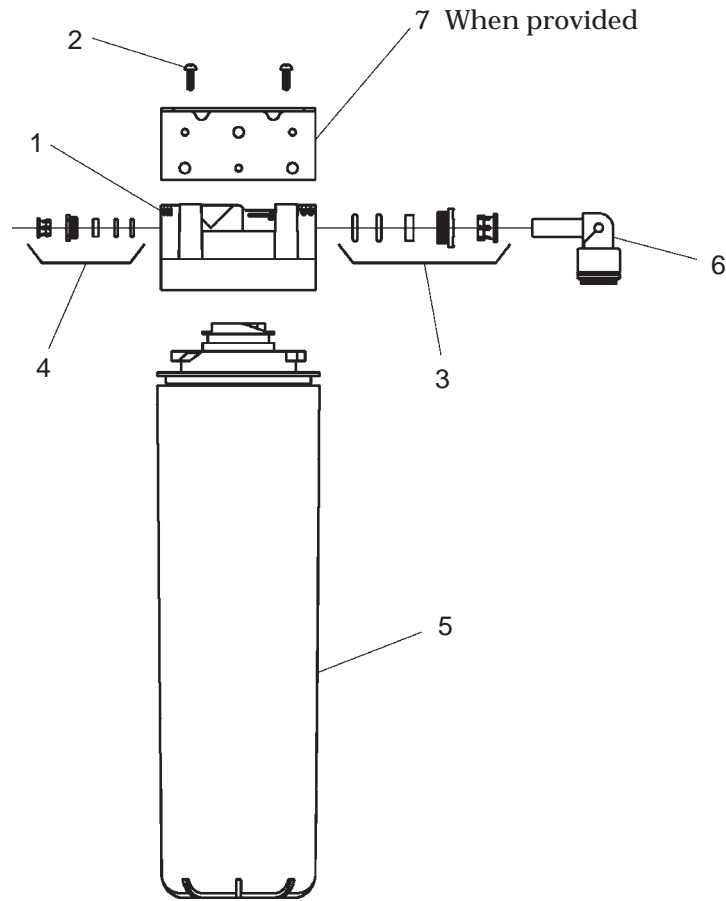


Figure 9 - Filter Assembly

### WaterSentry Filter Detail

WATERSENTRY® FILTER PARTS LIST (See Fig. 9)		
ITEM NO.	PART NO.	DESCRIPTION
1	51294C	Filter Head Assy.
2	70792C	Screw #8-18 x .75 PH
3	70823C	Fitting - Superseal 3/8" (10 mm)
4	70822C	Fitting - Superseal 1/4" (6 mm)
5	51299C	Filter Assy
6	70818C	Elbow - 3/8" (10mm)
7	22490C	Bracket

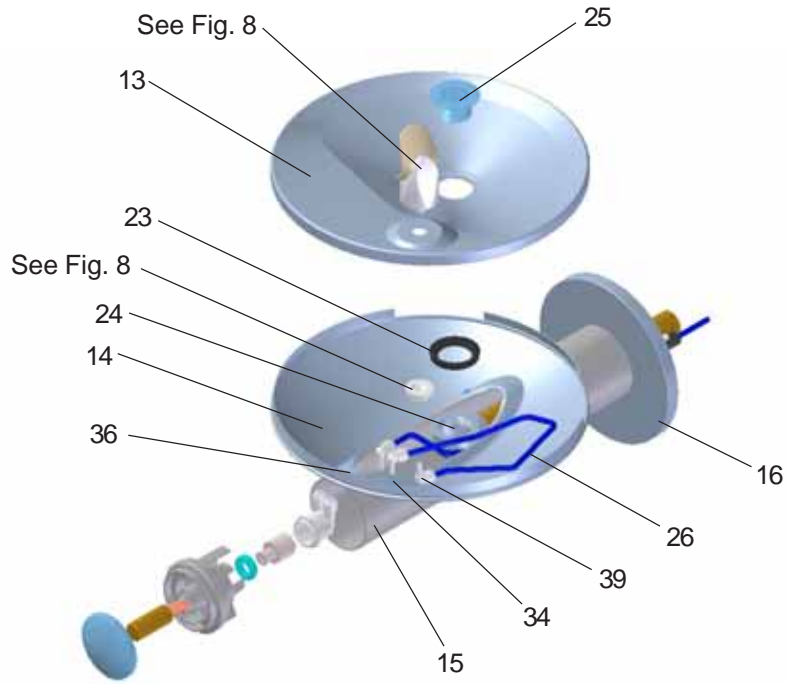


Figure 10 - Fountain Body Assembly

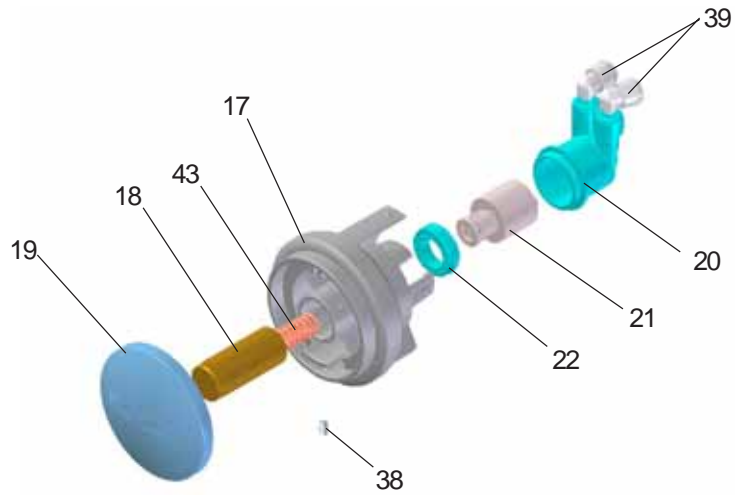


Figure 11 - Push Button Assembly

### Installation Package

The components for installation are packed in three separate boxes, regardless of the type of unit being installed. The boxes contain the following:

- Box No. 1: Wall Frame(s)
- Box No. 2: Remote Chiller, ECH8
- Box No. 3: Fountain(s), Arm(s) and Panels

Additional materials, as noted in the Parts List, are also shipped in these boxes.

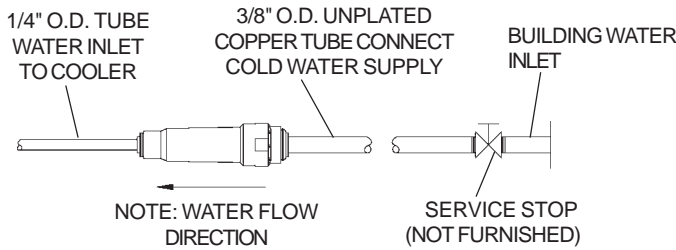


Figure 12 – Water Supply Connections

PARTS LIST		
ITEM NO.	PART NO.	DESCRIPTION
1	56073C	Bubbler Assy
2	98502C	Bubbler Assy (Stream Saver)
3	40319C	Fitting - Orifice
4	40608C	Fitting - Orifice (Stream Saver)
5	50171C	O-Ring
6	50314C	Orifice - Flow Straightener
7	56011C	Housing Assembly
8	55997C	Pedestal
9	75580C	Bubbler Locknut
10A	98118C	Bubbler Assembly VR
10B	98481C	Bubbler Assy. VR StreamSaver
11	100322740560	Gasket - Black .68 x 1.03 VR
12	15009C	Nipple - Bubbler VR
13	55001132	Basin - Swirlflow
14	55000944	Lower Shell
15	45767C	Fountain Body
16	28343C	Cover Plate
17	45781C	Sleeve
18	45847C	Pin - Push Button
19	45848C	Push Button
20	50986C	Holder - Regulator
21	61313C	Regulator
22	15005C	Retaining Nut
23	56163C	Gasket - Drain
24	45769C	Assy - Drain/Tailpipe
25	45768C	Drain - Plug 1-1/2"
26	56092C	Poly Tubing (Cut To Length)
27	70682C	Tee - 1/4
28	55996C	Strainer (Provided with Chiller)
29	28383C	Back Panel RH ADA
30	28384C	Back Panel LH ADA
31	28948C	Back Panel RH ADA (Grn Spec)
32	28949C	Back Panel LH ADA (Grn Spec)
33	27026C	Lower Panel
34	111008343890	Screw - #10-24 x .62 HHSM
35	70432C	Screw - #8-32 x .38 THSM
36	38417001	Screw - #8-18 x .37 HHSM
37	75560C	Screw - 5/16-18 x 1.00 HHMS
38	75632C	Setscrew - #10-32 x .38
39	70817C	Ftng - Elbow 1/4 x 1/4
40	70020C	Nut - Hex 5/16-18
41	28395C	Bracket - Support
42	70683C	Fitting - Union 1/4 x 1/4
43	75671C	Spring - Push Button

### TROUBLESHOOTING & MAINTENANCE

**Orifice Assembly:** Mineral deposits on orifice can cause water flow to spurt or not regulate. Mineral deposits may be removed from the orifice by poking with a small round file not over 1/8" diameter, or using a small diameter wire.

**CAUTION:** DO NOT file or cut orifice material.

**Stream Regulator:** If orifice is clean, regulate flow as in Step 11 of the installation instructions. If replacement is necessary, see parts list for correct regulator part number.

**Actuation of Quick Connect Water Fittings:** Cooler is provided with lead-free connectors which utilize an o-ring water seal. To remove tubing from the fitting, relieve water pressure, push in on the gray collar while pulling on the tubing. (See Figure 13) To insert tubing, push tube straight into fitting until it reaches a positive stop (approximately 3/4").

### OPERATION OF QUICK CONNECT FITTINGS

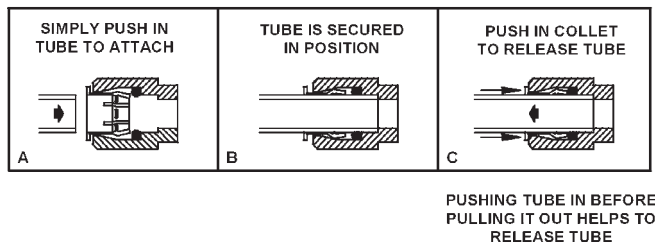


Figure 13 – Quick Connect Fittings

REPAIR SERVICE INFORMATION TOLL FREE NUMBER 1.800.260.6640  
 FOR PARTS, CONTACT YOUR LOCAL DISTRIBUTOR OR CALL 1.800.323.0620



# Installation Instructions

## ECH8GRN Refrigeration Package

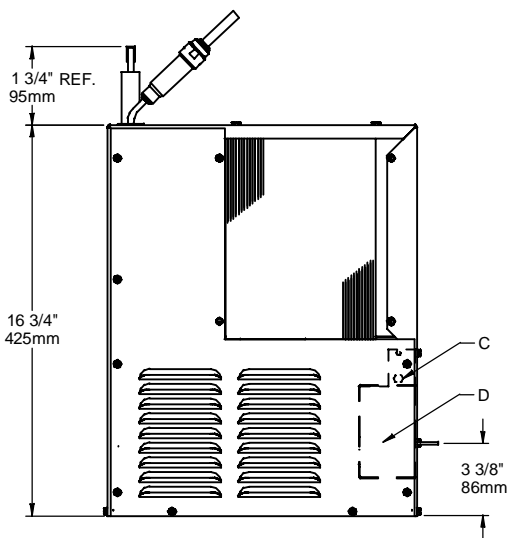
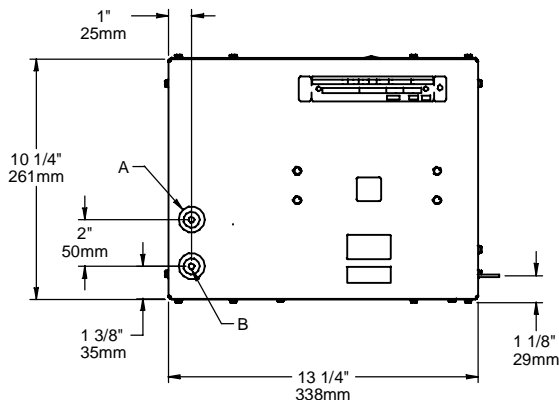
**NOTICE:** This water cooler must be connected to the water supply using a dielectric coupling.

### IMPORTANT! INSTALLER PLEASE NOTE.

The grounding of electrical equipment such as telephone, computers, etc., to water lines is a common procedure. This grounding may be in the building, or may occur away from the building. This grounding can cause electrical feedback into a water chiller, creating an electrolysis which causes a metallic taste or an increase in the metal content of the water. This condition is avoidable by using the proper materials indicated below.

### INSTALLATION

1. When mounting unit in an open area, to insure proper ventilation, maintain a 4" (102mm) clearance from cabinet louvers on each side of cooler. When mounting unit in a cavity or behind a wall maintain minimum space of 4" (102mm) on each side, 4" (102mm) on the top and a depth of 12" (305mm).
2. Water inlet is 1/4" (6 mm) O.D. tube. Contractor to supply the connections as required.
3. Connecting lines to be of unplated copper, thoroughly flushed to remove all foreign matter before being connected to cooler. If flushing does not remove all particles, a water strainer should be installed in supply line. This cooler is manufactured in such a manner that it does not in any way cause taste, odor, color or sediment problems.
4. Connect cooler to building supply line with a shut-off valve and install the in-line strainer between the valve and cooler.
5. Electrical: Make sure power supply is identical in voltage, cycle, and phase to that specified on cooler serial plate. Never wire compressor directly to the power supply.
6. This chiller has been designed for use with potable water **ONLY**.



### START-UP

1. Open supply line valve.
2. Purge air from all water lines by operating bubbler valve of fountain to which cooler is connected. Steady stream assures all air is removed.
3. Rotate fan to insure proper clearance and free fan action.
4. Connect to electrical power.

### TROUBLE SHOOTING & MAINTENANCE

**Temperature Control:** Factory set at 50°F (± 5°) under normal conditions. For colder water, adjust screw on item no. 12 in clockwise direction.

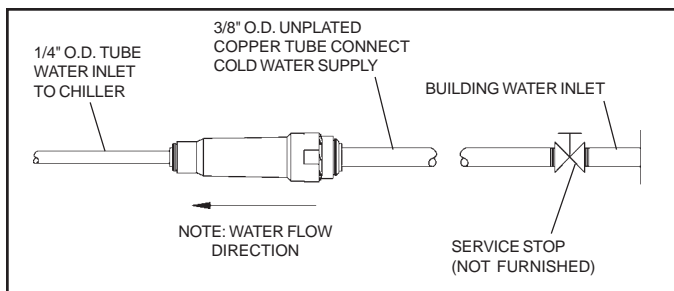
**Ventilation:** Cabinet louvers and condenser fins should be periodically cleaned with brush, air hose or vacuum cleaner. Excess dirt or poor ventilation can cause no cold water and compressor cycling on the compressor overload protector.

**Lubrication:** Motors are lifetime lubricated.

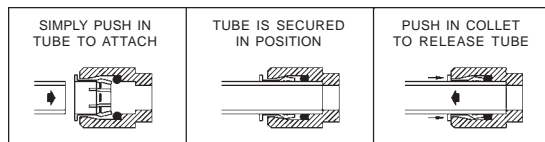
**Actuation of Quick Connect Water Fittings:** Cooler is provided with lead-free connectors which utilize an o-ring seal. To remove tubing from the fittings, relieve water pressure, push in on gray collar while pulling on the tubing. To insert tubing, push tube straight into fitting until it reaches a positive stop, approximately 3/4".

**LEGEND**

- A = 1/4" O.D. TUBE WATER OUTLET      C = TEMPERATURE ADJUSTMENT  
 B = 1/4" O.D. TUBE WATER INLET      D = ELECTRICAL



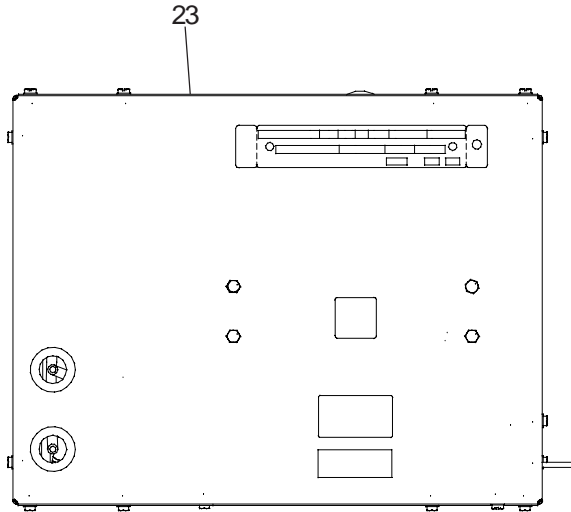
### OPERATION OF QUICK CONNECT FITTINGS



PUSHING TUBE IN BEFORE PULLING IT OUT HELPS TO RELEASE TUBE

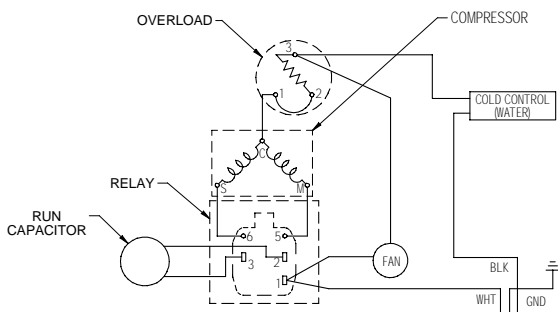
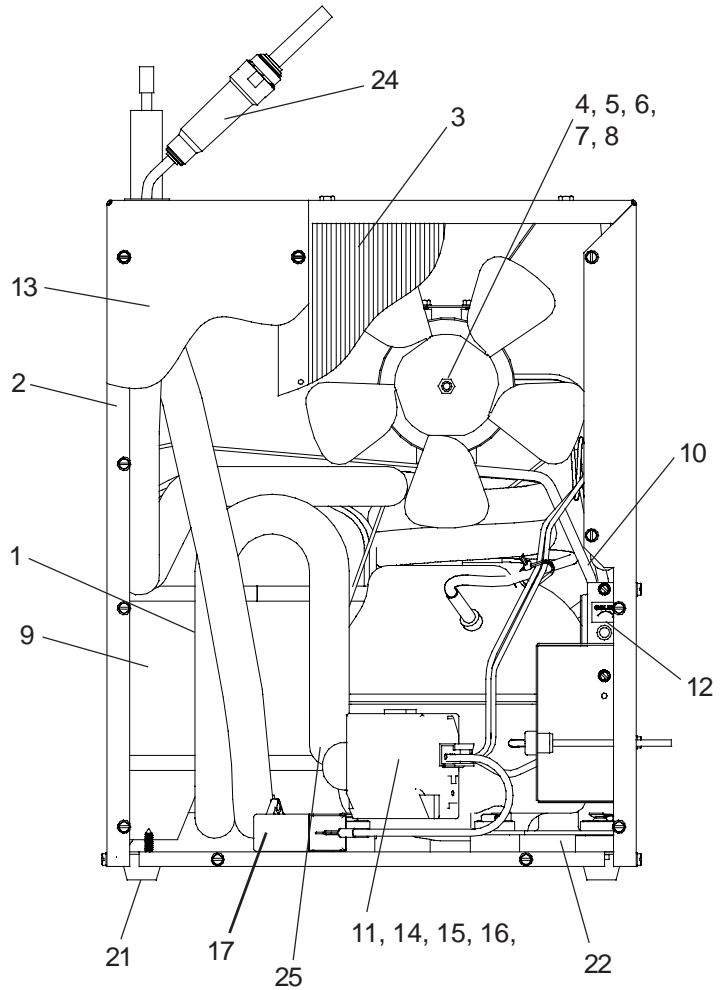
# ECH8GRN\*1B

115V ITEMIZED PARTS LIST		
ITEM NO.	PART NO.	DESCRIPTION
1	66817C	EVAPORATOR TANK ASSY
2	28478C	CABINET
3	66743C	CONDENSER
4	31490C	MOTOR - FAN 115V
5	20282C	BRACKET - FAN MOUNTING
6	30664C	BLADE - FAN
7	70018C	NUT - FAN BLADE
8	56237C	SHROUD - FAN
9	66576C	HEAT EXCHANGER
10	66703C	DRIER
*11	0000000768	COMPRESSOR SERVICE PAK
12	35839C	COLD CONTROL
13	28477C	PANEL - FRONT
14	35768C	COVER - RELAY
15	36238C	OVERLOAD
16	36271C	RELAY
17	36272C	RUN CAPACITOR
18	100806740570	GROMMET
19	101516143550	STUD - COMP. MOUNTING
20	19037000	CLIP
21	50930C	BUMPER
22	27303C	BASEPLATE
23	22300C	PANEL - REAR
24	55996C	IN-LINE STRAINER
25	75583C	ELBOW - 5/16" x 1/4"



**\*INCLUDES RELAY & OVERLOAD. IF UNDER WARRANTY, REPLACE WITH SAME COMPRESSOR USED IN ORIGINAL ASSEMBLY.**

NOTE: All correspondence pertaining to any of the above water cooler or orders for repair parts MUST include model number and serial number of cooler, name and part number of replacement part.



**WIRING DIAGRAM**