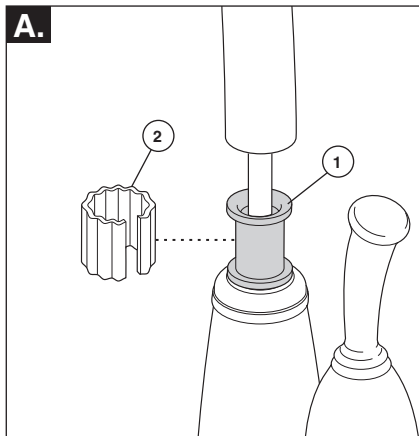
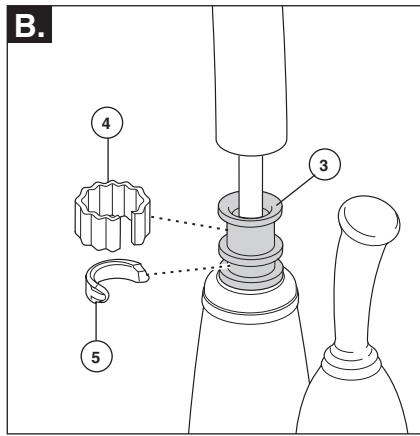


**60969****RP60923**

A. If your spout connector (1) looks like this, use the taller friction spacer (2).



B. If your spout connector (3) looks like this, use the shorter friction spacer (4) and clip (5).