



# 59\_TP\_\_\_\_\_

Write purchase model number here for future reference

206312

206312

206312

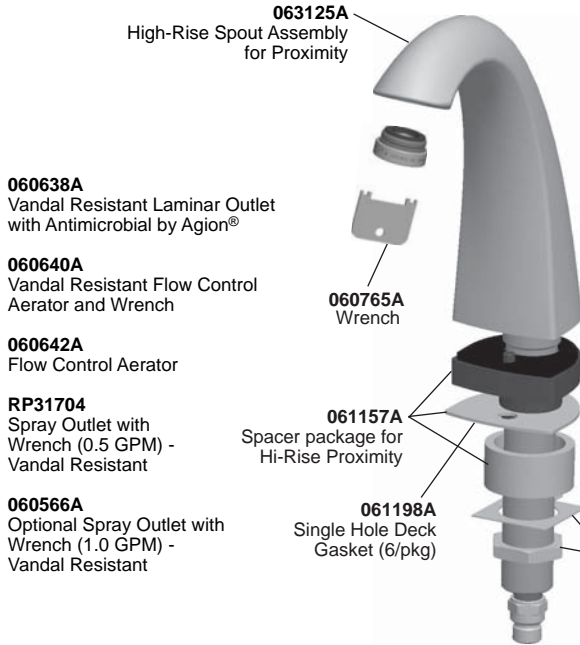
206312

206312

206312

206312

206312



**063125A**  
High-Rise Spout Assembly for Proximity

**060638A**  
Vandal Resistant Laminar Outlet with Antimicrobial by Agion®

**060640A**  
Vandal Resistant Flow Control Aerator and Wrench

**060642A**  
Flow Control Aerator

**RP31704**  
Spray Outlet with Wrench (0.5 GPM) - Vandal Resistant

**060566A**  
Optional Spray Outlet with Wrench (1.0 GPM) - Vandal Resistant

**060765A**  
Wrench

**061157A**  
Spacer package for Hi-Rise Proximity

**061198A**  
Single Hole Deck Gasket (6/pkg)

**063126A**  
4" Lavatory Spout Assembly for Proximity



**061159A**  
4" Deck Plate & Holddown Pkg

**061160A**  
8" Deck Plate & Holddown Pkg

**RP6092**  
Nut & Washer

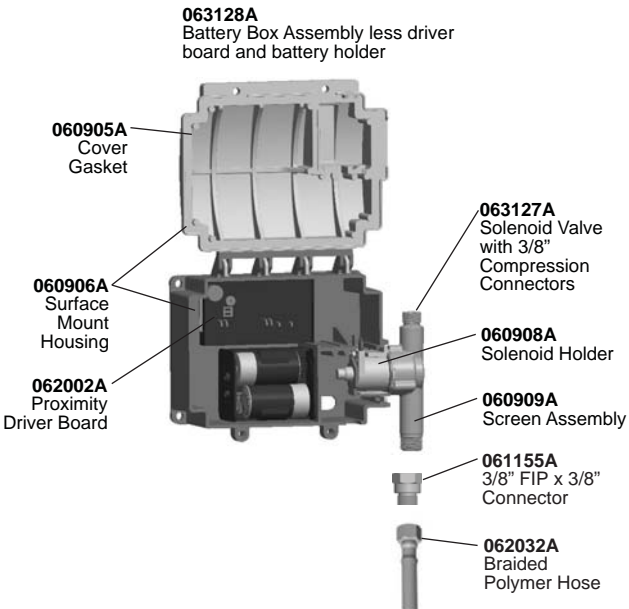
**061158A**  
Spacer package for 4" Lavatory Proximity

**061156A**  
4" Lavatory Spout Gasket (6/pkg)

**062001A**  
Proximity Thin Tab & Nut

**RP6001**  
Nut & Washer

**NOTE:** For optimum performance of this product, we recommend a system pressure between 20 and 80 PSI static. This product will operate up to a maximum of 125 PSI static per ANSI and CSA requirements. However, we do not recommend pressure above 80 PSI. Thermal expansion or leaking pressure reducing valves may require use of expansion tanks or relief valves to ensure your system never exceeds its maximum intended pressure setting.



**063128A**  
Battery Box Assembly less driver board and battery holder

**060905A**  
Cover Gasket

**060906A**  
Surface Mount Housing

**062002A**  
Proximity Driver Board

**063127A**  
Solenoid Valve with 3/8" Compression Connectors

**060908A**  
Solenoid Holder

**060909A**  
Screen Assembly

**061155A**  
3/8" FIP x 3/8" Connector

**062032A**  
Braided Polymer Hose

**060683A**  
24VAC to 6VDC Converter

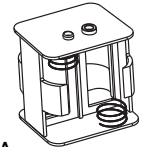
**062029A**  
Ground Wire Kit (for hardwire models)

**061047A**  
24VAC to 6VDC Converter with Battery Backup

**060416A**  
Bypass Adapter



### OPTION LIST



**060684A**  
Square Battery Holder



**060571A**  
Mounting Hardware

### TRANSFORMERS

**060704A**  
Transformer 110 to 24 VAC 20VA up to 5 Electronic Valves

**060771A**  
Transformer 110 to 24 VAC 40VA up to 10 Electronic Valves

**060772A**  
Transformer 110 to 24 VAC 100VA up to 25 Electronic Valves

### DECK PLATES

**060548A**  
4" Deck Plate Gasket (6/pkg)

**061159A**  
4" Deck Plate & Holddown Pkg.

**060549A**  
8" Deck Plate Gasket (6/pkg)

**061160A**  
8" Deck Plate & Holddown Pkg.

**PLEASE LEAVE this M&I Sheet with the owner, maintenance plumber, etc. as items relating to ongoing maintenance suggestions and procedures are included.**