



Sink Faucet Wallmount

Rough chrome plated cast brass wallmount service sink faucet
203mm(8") centers
integral stops
inline vacuum breaker
hose end spout
wall brace
color indexed metal cross handles
pail hook

Model No: 28T9

COMPLIES WITH:

- CSA certified
- IAPMO Listed
- Complies to ASME Standard A112.18.1/CSA B125.1 including integral back siphonage protection
- (Contact Delta Representative for State and/or Local Approvals)



SPECIFICATION:

- 203mm (8") centers
- Centers adjustable from 7.75" to 8.25" unless AC option selected
- Two handles
- Heavy duty cast brass wallmount service sink faucet with integral stops
- Rough chrome plated finish
- Pail hook
- Inline vacuum breaker
- Hose end spout
- Wall brace
- Compression structures
- Color indexed metal cross handles

OPERATION:

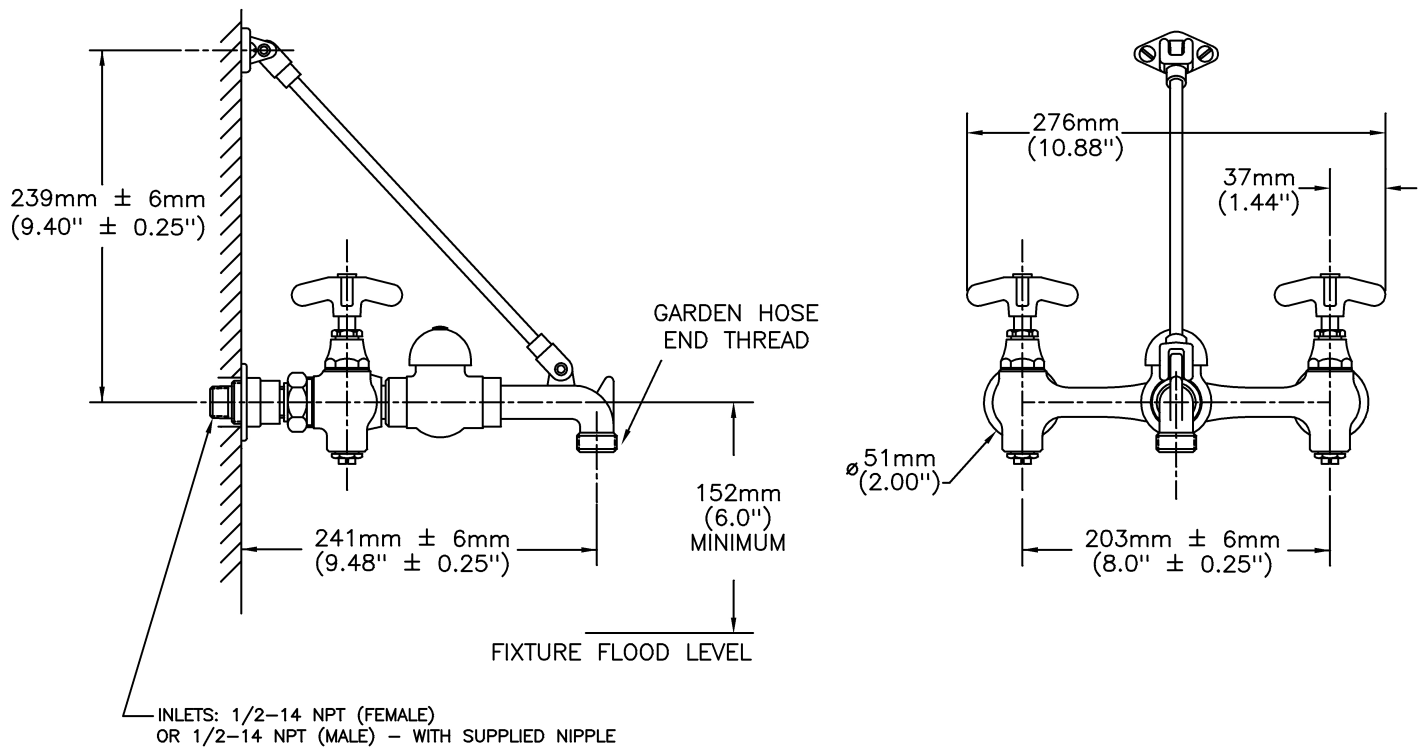
- Not Available

(Dimensional drawing on following page)

Delta reserves the right (1) to make changes to specifications and materials, and (2) to change or discontinue models, both without notice or obligation. Dimensions are for reference. Measurement may vary plus or minus 6mm(0.25"). Mounting locations are suggested only. Check with local codes for requirements in your area. This spec was produced November 17, 2011.

Delta Faucet Company - 55 East 111th St. - Indianapolis, Indiana, USA 46280 - (317) 848-1812
Delta Faucet Canada - 395 Matheson Blvd E - Mississauga, Ontario, Canada L4Z 2H2 - (905) 712-3030

Model No: 28T9



Delta reserves the right (1) to make changes to specifications and materials, and (2) to change or discontinue models, both without notice or obligation. Dimensions are for reference. Measurement may vary plus or minus 6mm(0.25"). Mounting locations are suggested only. Check with local codes for requirements in your area. This spec was produced November 17, 2011.

Delta Faucet Company - 55 East 111th St. - Indianapolis, Indiana, USA 46280 - (317) 848-1812
 Delta Faucet Canada - 395 Matheson Blvd E - Mississauga, Ontario, Canada L4Z 2H2 - (905) 712-3030