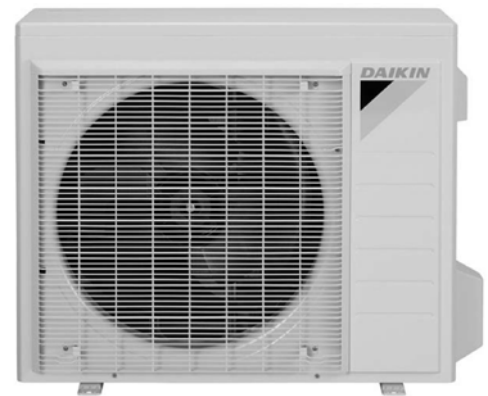
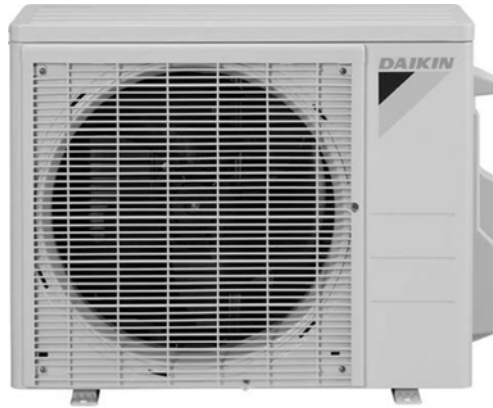

RXRMVJU Outdoor Ductless Mini-Split Heat Pump**

RX09RMVJU
RX12RMVJU
RX15RMVJU
RX18RMVJU
RX24RMVJU



This manual is to be used by qualified technicians only.

Important Information

Index

Functional Parts List	3
Illustration and Parts	4 - 9

Views shown are for parts illustrations only, not servicing procedures.

Text Codes:

AR - As Required

NA - Not Available

NS - Not Shown

00000000 - See Note

QTY - Quantity Example (QTY 3) (If Quantity not shown, Quantity = 1)

M - Model Example (M1) (If M Code not shown, then part is used on all Models)

Expanded Model Nomenclature:

Example
M1 - Model#1
M2 - Model#2
M3 - Model#3

Daikin North America, LLC is not responsible for personal injury or property damage resulting from improper service. Review all service information before beginning repairs.

Warranty service must be performed by an authorized technician, using authorized factory parts. If service is required after the warranty expires, Daikin North America, LLC also recommends contacting an authorized technician and using authorized factory parts.

Daikin North America, LLC reserves the right to discontinue, or change at any time, specifications or designs without notice or without incurring obligations.

For assistance within the U.S.A. contact:

Homeowner Support
Daikin North America, LLC
19001 Kermier Road
Waller, Texas 77484
855-770-5678-Telephone
713-863-2382-Facsimile

For assistance outside the U.S.A. contact:

International Division
Daikin North America, LLC
19001 Kermier Road
Waller, Texas 77484
713-861-2500-Telephone
713-863-2382-Facsimile

Functional Parts

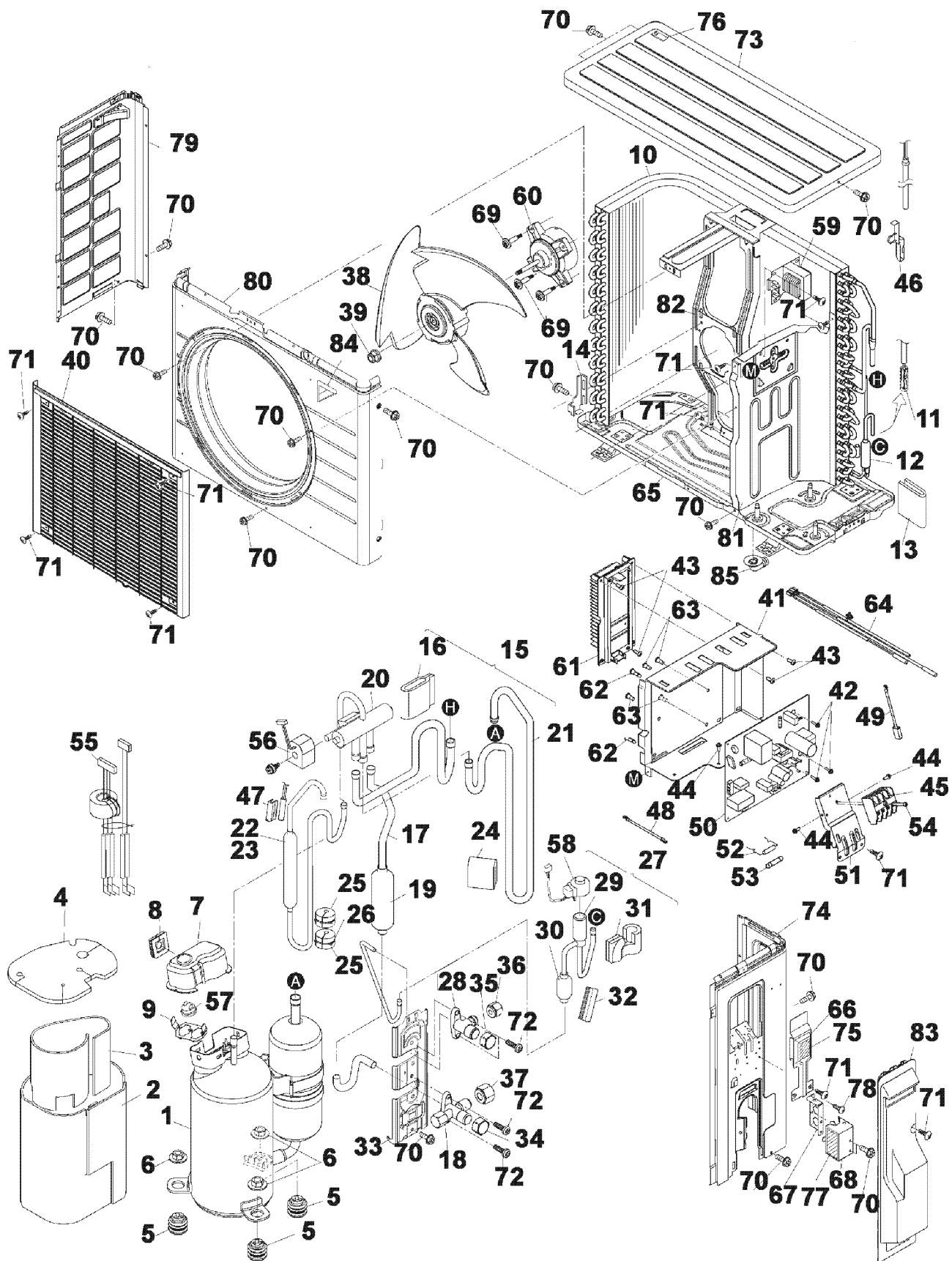
Part

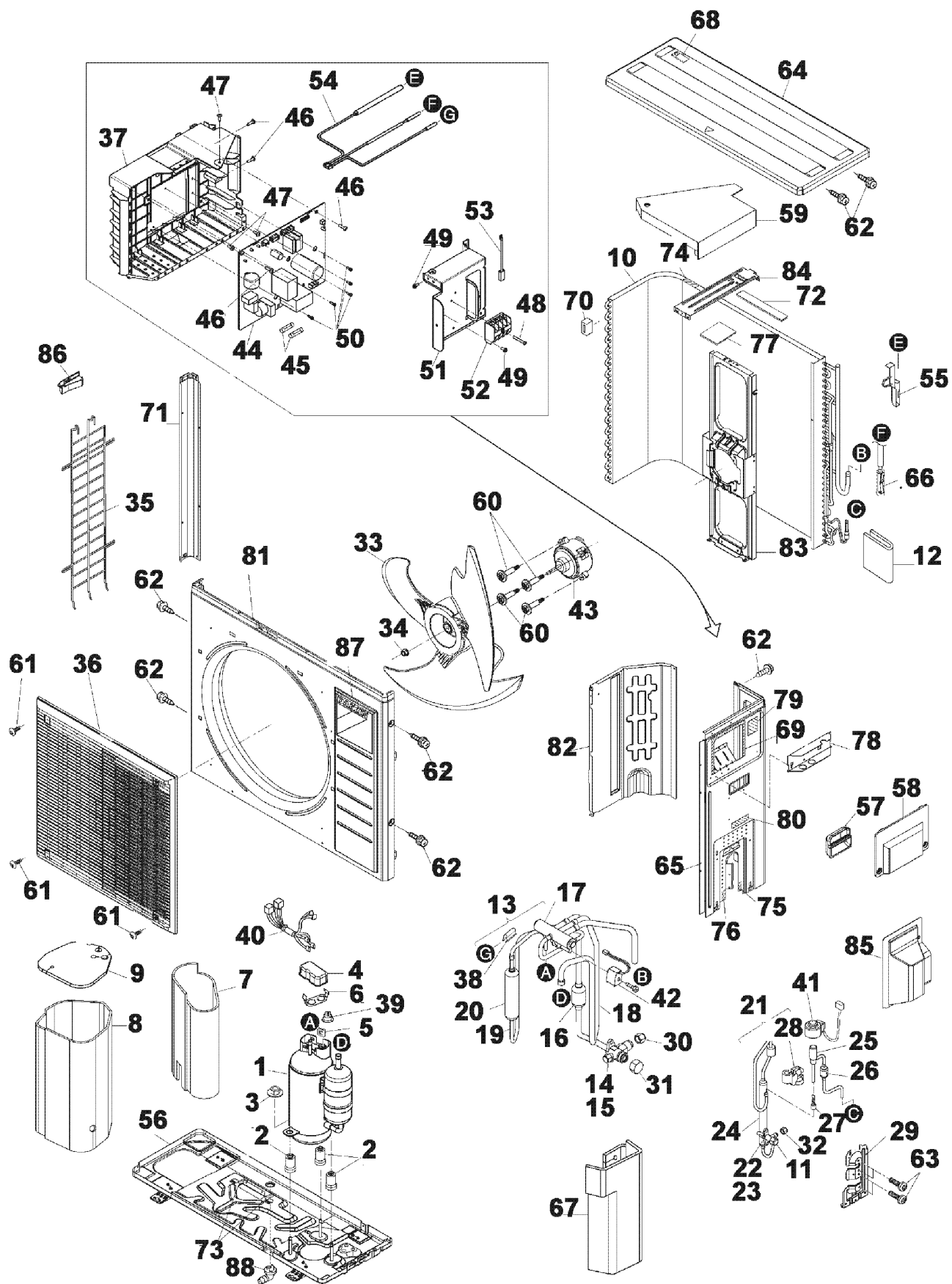
No: Description:

6024936	COMPRESSOR ASSY. (M3, M4, M5)
6024928	COMPRESSOR ASSY. (M1, M2)
6024932	DC FAN MOTOR (M1, M2)
6024942	FAN MOTOR (M3, M4, M5)
131316J	FUSE (M1, M2)
153875J	FUSE
6025121	HEAT EXCHANGER ASSY. (M5)
6025089	HEAT EXCHANGER ASSY. (M3, M4)
622418J	OVERLOAD PROTECTOR
2395975	PRINTED CIRCUIT ASSY. (M1)
2396024	PRINTED CIRCUIT ASSY. (M5)
2396017	PRINTED CIRCUIT ASSY. (M4)
2396000	PRINTED CIRCUIT ASSY. (M3)
2395982	PRINTED CIRCUIT ASSY. (M2)
156720J	TERMINAL BLOCK
6025111	THERMISTOR ASSY. (M3, M4, M5)
6023970	THERMISTOR ASSY. (M1, M2)

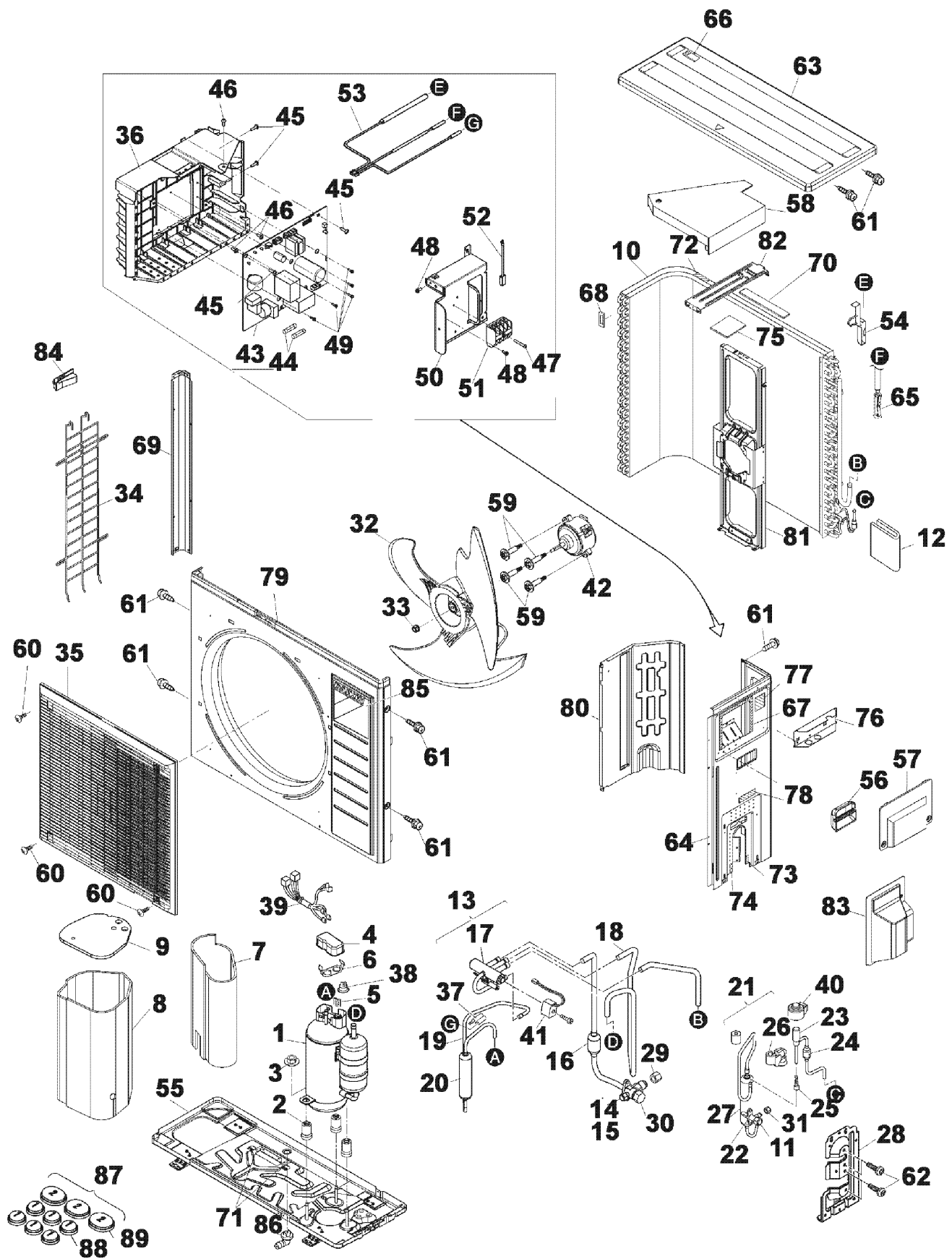
Expanded Model Nomenclature

M11 - RX09RMVJU
M12 - RX12RMVJU
M13 - RX15RMVJU
M14 - RX18RMVJU
M15 - RX24RMVJU





Ref. Part No: No:	Description:	Ref. Part No: No:	Description:
Image 1:		Image 1:	
1	6024936 COMPRESSOR ASSY. (M3, M4)	59	6022865 DRIP PROOF COVER (M3, M4)
2	128989J VIBRATION ABSORBER (M3, M4)	60	140380J WASHER FACED HEAD TAPPING SCREW (M3, M4)
3	135859J FLANGE NUT (M3, M4)	61	NA TRUSS HEAD TAPPING SCREW (M3, M4)
4	6026803 TERMINAL COVER (M3, M4)	62	NA HEX. HEAD TAPPING SCREW (M3, M4)
5	040139J RUBBER BUSH/ LEAD WIRE (M3, M4)	63	NA PAN HEAD TAPPING SCREW (M3, M4)
6	380620J RETAINER/ OVERLOAD PROTECTOR (M3, M4)	64	6022834 TOP PLATE (M3, M4)
7	6025086 SOUND INSULATION (INNER SLEEVE) (M3, M4)	65	6025292 SIDE PLATE (RIGHT) (M3, M4)
8	6023853 SOUND INSULATION (OUTER BODY) (M3, M4)	66	380120J FITTING SPRING/ THERMISTOR (M3, M4)
9	6023854 SOUND INSULATION (TOP) (M3, M4)	67	6025112 SOUND INSULATION (RV) (M3, M4)
10	6025089 HEAT EXCHANGER ASSY. (M3, M4)	68	NA LABEL (M3, M4)
11	1753314 VALVE CAP (M3, M4)	69	7900079 SEALING MATERIAL (M3, M4)
12	6025247 PUTTY (M3, M4)	70	7900083 SEALING MATERIAL (M3, M4)
13	NA FOUR WAY VALVE ASSY. (M3, M4)	71	6022758 SIDE PLATE (LEFT) (M3, M4)
14	NA GAS STOP VALVE ASSY. (M3, M4)	72	7900084 CUSHION MATERIAL (FAN MOTOR STAND) (M3, M4)
15	6024939 GAS STOP VALVE ASSY. (SUB) (M3, M4)	73	7900085 CUSHION RUBBER (BOTTOM FRAME) (M3, M4)
16	170889J MUFFLER (M3, M4)	74	6025249 SEALING MATERIAL (HEAT EXCH. TOP) (M3, M4)
17	2149590 BODY/ FOUR WAY VALVE (M3, M4)	75	7900086 SEALING MATERIAL (M3, M4)
18	NA SUCTION PIPE (M3, M4)	76	7900087 SEALING MATERIAL (M3, M4)
19	NA DISCHARGE PIPE ASSY. (M3, M4)	77	2256032 CUSHION MATERIAL (CR FORM RUBBER) (M3, M4)
20	152295J MUFFLER (M3, M4)	78	6025102 CONDUIT MOUNTING PLATE (M3, M4)
21	NA ELECTRONIC EXP. VALVE ASSY. (M3, M4)	79	NA CAUTION LABEL (ELECTRIC SHOCK) (M3, M4)
22	NA LIQUID RECEIVER ASSY. (M3, M4)	80	NA CAUTION LABEL (BURN) (M3, M4)
23	6025108 LIQUID STOP VALVE ASSY. (M3, M4)	81	6022706 FRONT PLATE (M3, M4)
24	2395999 LIQUID RECEIVER (M3, M4)	82	6022760 PARTITION PLATE (M3, M4)
25	131004J BODY/ ELECTRONIC EXP. VALVE (M3, M4)	83	6022871 FAN MOTOR STAND ASSY. (M3, M4)
26	138233J MUFFLER (M3, M4)	84	6025100 FAN MOTOR STAND (MOUNTING PLATE) (M3, M4)
27	111167J STRAINER (M3, M4)	85	6022709 STOP VALVE COVER (M3, M4)
28	137963J PUTTY (M3, M4)	86	6022835 HANDLE (M3, M4)
29	7900070 MOUNTING PLATE/ STOP VALVE (M3, M4)	87	6025256 BRAND NAME LABEL (M3, M4)
30	119849J FLARE NUT (M3, M4)	88	135886J DRAIN JOINT (M3, M4)
31	6015411 VALVE CAP (M3, M4)		
32	1723546 FLARE NUT (M3, M4)		
33	6022761 FAN BLADE (M3, M4)		
34	847003J LOCK NUT/ FAN (M3, M4)		
35	6025762 PROTECTION NET (LEFT SIDE) (M3, M4)		
36	6024941 DISCHARGE GRILLE ASSY. (M3, M4)		
37	6023857 EL. COMPO. MOUNTING PLATE (M3, M4)		
38	1728781 FIXTURE/ THERMISTOR (M3, M4)		
39	622418J OVERLOAD PROTECTOR (M3, M4)		
40	7900074 WIRE HARNESS (COMP) (M3, M4)		
41	6022924 COIL/ ELECTRONIC EXP. VALVE (M3, M4)		
42	6025680 COIL/ FOUR WAY VALVE ASSY. (M3, M4)		
43	6024942 FAN MOTOR (M3, M4)		
44	2396000 PRINTED CIRCUIT ASSY. (M3)		
44	2396017 PRINTED CIRCUIT ASSY. (M4)		
45	153875J FUSE (M3, M4)		
46	NA TRUSS HEAD TAPPING SCREW (M3, M4)		
47	NA TRUSS HEAD TAPPING SCREW (M3, M4)		
48	NA PAN HEAD TAPPING SCREW (M3, M4)		
49	NA TAPPING SCREW (M3, M4)		
50	131073J PAN HEAD MACHINE SCREW (M3, M4)		
51	6023858 MOUNTING PLATE (TERMINAL STRIP) (M3, M4)		
52	156720J TERMINAL BLOCK (M3, M4)		
53	2051477 EARTH WIRE (M3, M4)		
54	6025111 THERMISTOR ASSY. (M3, M4)		
55	128511J FIXTURE/ THERMISTOR (M3, M4)		
56	6024943 BOTTOM FRAME ASSY. (M3, M4)		
57	1885709 HANDLE (M3, M4)		
58	6025101 TERMINAL STRIP COVER (M3, M4)		
			Expanded Model Nomenclature
			M11 - RX09RMVJU
			M12 - RX12RMVJU
			M13 - RX15RMVJU
			M14 - RX18RMVJU
			M15 - RX24RMVJU



Ref. Part No:	Part No:	Description:	Ref. Part No:	Part No:	Description:					
Image 1:			Image 1:							
1	6024936	COMPRESSOR ASSY. (M5)	60	NA	TRUSS HEAD TAPPING SCREW (M5)					
2	128989J	VIBRATION ABSORBER (M5)	61	NA	HEX. HEAD TAPPING SCREW (M5)					
3	135859J	FLANGE NUT (M5)	62	NA	PAN HEAD TAPPING SCREW (M5)					
4	6026803	TERMINAL COVER (M5)	63	6022834	TOP PLATE (M5)					
5	040139J	RUBBER BUSH/ LEAD WIRE (M5)	64	6025292	SIDE PLATE (RIGHT) (M5)					
6	380620J	RETAINER/ OVERLOAD PROTECTOR (M5)	65	380120J	FITTING SPRING/ THERMISTOR (M5)					
7	6025086	SOUND INSULATION (INNER SLEEVE) (M5)	66	NA	LABEL (M5)					
8	6023853	SOUND INSULATION (OUTER BODY) (M5)	67	7900079	SEALING MATERIAL (M5)					
9	6023854	SOUND INSULATION (TOP) (M5)	68	7900083	SEALING MATERIAL (M5)					
10	6025121	HEAT EXCHANGER ASSY. (M5)	69	6022758	SIDE PLATE (LEFT) (M5)					
11	1753314	VALVE CAP (M5)	70	7900084	CUSHION MATERIAL (FAN MOTOR STAND) (M5)					
12	6025247	PUTTY (M5)	71	7900085	CUSHION RUBBER (BOTTOM FRAME) (M5)					
13	NA	FOUR WAY VALVE ASSY. (M5)	72	6026829	SEALING MATERIAL (HEAT EXCH. TOP) (M5)					
14	NA	GAS STOP VALVE ASSY. (M5)	73	7900086	SEALING MATERIAL (M5)					
15	6024940	GAS STOP VALVE ASSY. (SUB) (M5)	74	7900087	SEALING MATERIAL (M5)					
16	170889J	MUFFLER (M5)	75	2256032	CUSHION MATERIAL (CR FORM RUBBER) (M5)					
17	2149590	BODY/ FOUR WAY VALVE (M5)	76	6025102	CONDUIT MOUNTING PLATE (M5)					
18	NA	SUCTION PIPE (M5)	77	NA	CAUTION LABEL (ELECTRIC SHOCK) (M5)					
19	NA	DISCHARGE PIPE ASSY. (M5)	78	NA	CAUTION LABEL (BURN) (M5)					
20	152295J	MUFFLER (M5)	79	6022706	FRONT PLATE (M5)					
21	NA	ELECTRONIC EXP. VALVE ASSY. (M5)	80	6022760	PARTITION PLATE (M5)					
22	6025108	LIQUID STOP VALVE ASSY. (M5)	81	6022871	FAN MOTOR STAND ASSY. (M5)					
23	131004J	BODY/ ELECTRONIC EXP. VALVE (M5)	82	6022759	FAN MOTOR STAND (MOUNTING PLATE) (M5)					
24	138233J	MUFFLER (M5)	83	6022709	STOP VALVE COVER (M5)					
25	111167J	STRAINER (M5)	84	6022835	HANDLE (M5)					
26	137963J	PUTTY (M5)	85	6025256	BRAND NAME LABEL (M5)					
27	6025773	LIQUID RECEIVER (M5)	86	135886J	DRAIN JOINT (M5)					
28	6016077	MOUNTING PLATE/ STOP VALVE (M5)	87	NA	ACCESSORY SET (M5)					
29	119850J	FLARE NUT (M5)	88	NA	CAP 1 (DRAIN) (M5)					
30	139571J	VALVE CAP (M5)	89	NA	CAP 2 (DRAIN) (M5)					
31	1723546	FLARE NUT (M5)	Expanded Model Nomenclature							
32	6022761	FAN BLADE (M5)	<table border="1"> <tr><td>M11 - RX09RMVJU</td></tr> <tr><td>M12 - RX12RMVJU</td></tr> <tr><td>M13 - RX15RMVJU</td></tr> <tr><td>M14 - RX18RMVJU</td></tr> <tr><td>M15 - RX24RMVJU</td></tr> </table>			M11 - RX09RMVJU	M12 - RX12RMVJU	M13 - RX15RMVJU	M14 - RX18RMVJU	M15 - RX24RMVJU
M11 - RX09RMVJU										
M12 - RX12RMVJU										
M13 - RX15RMVJU										
M14 - RX18RMVJU										
M15 - RX24RMVJU										
33	847003J	LOCK NUT/ FAN (M5)								
34	6025762	PROTECTION NET (LEFT SIDE) (M5)								
35	6024941	DISCHARGE GRILLE ASSY. (M5)								
36	6023857	EL. COMPO. MOUNTING PLATE (M5)								
37	1728781	FIXTURE/ THERMISTOR (M5)								
38	622418J	OVERLOAD PROTECTOR (M5)								
39	7900074	WIRE HARNESS (COMP) (M5)								
40	6022924	COIL/ ELECTRONIC EXP. VALVE (M5)								
41	6025680	COIL/ FOUR WAY VALVE ASSY. (M5)								
42	6024942	FAN MOTOR (M5)								
43	2396024	PRINTED CIRCUIT ASSY. (M5)								
44	153875J	FUSE (M5)								
45	NA	TRUSS HEAD TAPPING SCREW (M5)								
46	NA	TRUSS HEAD TAPPING SCREW (M5)								
47	NA	PAN HEAD TAPPING SCREW (M5)								
48	NA	TAPPING SCREW (M5)								
49	131073J	PAN HEAD MACHINE SCREW (M5)								
50	6023858	MOUNTING PLATE (TERMINAL STRIP) (M5)								
51	156720J	TERMINAL BLOCK (M5)								
52	2051477	EARTH WIRE (M5)								
53	6025111	THERMISTOR ASSY. (M5)								
54	128511J	FIXTURE/ THERMISTOR (M5)								
55	6024943	BOTTOM FRAME ASSY. (M5)								
56	1885709	HANDLE (M5)								
57	6025101	TERMINAL STRIP COVER (M5)								
58	6022865	DRIP PROOF COVER (M5)								
59	140380J	WASHER FACED HEAD TAPPING SCREW (M5)								