

## Outdoor Ductless AC/HP Units

RK09NMVJU  
RK12NMVJU  
RK18NMVJU  
RK24NMVJU  
RKN09NMVJU  
RKN12NMVJU  
RKN18NMVJU  
RKN24NMVJU  
RX09NMVJU  
RX12NMVJU  
RX18NMVJU  
RX24NMVJU  
RXN09NMVJU  
RXN12NMVJU  
RXN18NMVJU  
RXN24NMVJU



This manual is to be used by qualified technicians only.

This manual replaces RP-6024.

© 2015 - 2016 **DAIKIN MANUFACTURING COMPANY, L.P.** ♦ 5151 San Felipe St., Suite 500 ♦ Houston, TX 77056

# Important Information

---

## Index

Functional Parts List .....	3
Illustration and Parts .....	4 - 33

*Views shown are for parts illustrations only, not servicing procedures*

### Text Codes:

AR - As Required

NA - Not Available

NS - Not Shown

00000000 - See Note

QTY - Quantity Example (QTY 3) (If Quantity not shown, Quantity = 1)

M - Model Example (M1) (If M Code not shown, then part is used on all Models)

### Expanded Model Nomenclature:

Example M1 - Model#1 M2 - Model#2 M3 - Model#3
---

Daikin Manufacturing Company, L.P. is not responsible for personal injury or property damage resulting from improper service. Review all service information before beginning repairs.

Warranty service must be performed by an authorized technician, using authorized factory parts. If service is required after the warranty expires, Daikin Manufacturing Company, L.P. also recommends contacting an authorized technician and using authorized factory parts.

Daikin Manufacturing Company, L.P. reserves the right to discontinue, or change at any time, specifications or designs without notice or without incurring obligations.

For assistance within the U.S.A. contact:

Homeowner Support  
Daikin North America, LLC  
19001 Kermier Road  
Waller, Texas 77484  
855-770-5678-Telephone  
713-863-2382-Facsimile

For assistance outside the U.S.A. contact:

International Division  
Daikin North America, LLC  
19001 Kermier Road  
Waller, Texas 77484  
713-861-2500-Telephone  
713-863-2382-Facsimile

# Functional Parts

## Part

## No: Description:

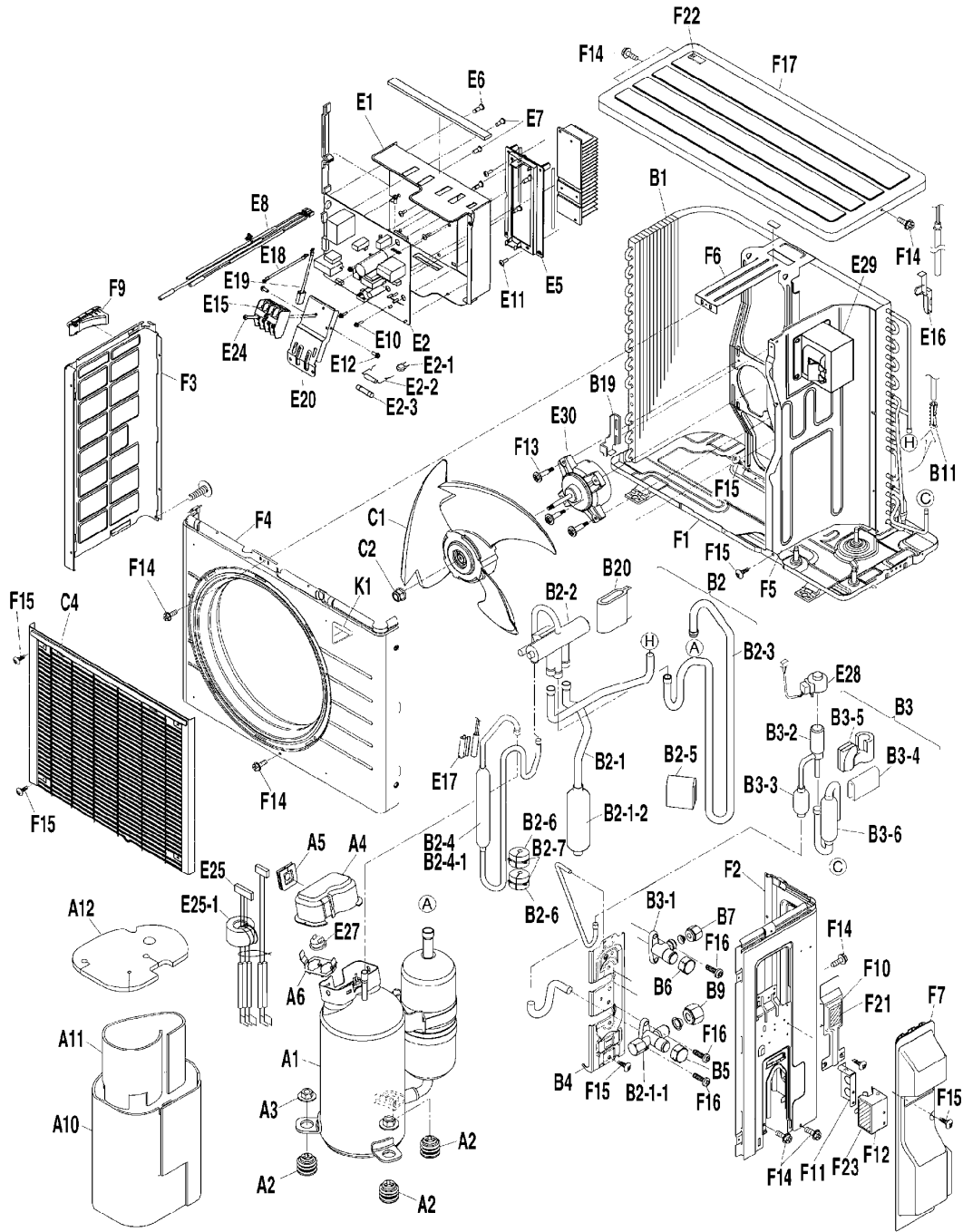
---

6025116	COVER/ STOP VALVE (M1)
6024932	DC FAN MOTOR (M1, M2, M5, M6, M9, M10, M13, M14, M15, M16)
6024942	DC FAN MOTOR (M3, M4, M7, M8, M11, M12)
6022761	FAN BLADE (M4, M7, M8, M11, M12, M15, M16)
153875J	FUSE (M1, M2, M3, M4, M5, M6, M9, M10, M13, M14, M16)
131316J	FUSE (M1, M2, M3, M5, M6, M9, M10, M13, M14)
6025121	HEAT EXCHANGER ASSY. (M16)
6025089	HEAT EXCHANGER ASSY. (M4)
622418J	OVERLOAD PROTECTOR (M1, M2, M3, M5, M6, M7, M8, M10, M11, M12, M13, M14, M15, M16)
6025127	PRINTED CIRCUIT ASSY. (CONTROL) (M11)
6025125	PRINTED CIRCUIT ASSY. (CONTROL) (M8)
6025115	PRINTED CIRCUIT ASSY. (CONTROL) (M1)
6025128	PRINTED CIRCUIT ASSY. (CONTROL) (M12)
6025096	PRINTED CIRCUIT ASSY. (CONTROL) (M3)
6025137	PRINTED CIRCUIT ASSY. (CONTROL) (M10)
6025110	PRINTED CIRCUIT ASSY. (CONTROL) (M4)
6025132	PRINTED CIRCUIT ASSY. (CONTROL) (M2)
6025136	PRINTED CIRCUIT ASSY. (CONTROL) (M5)
6025138	PRINTED CIRCUIT ASSY. (CONTROL) (M15)
6025139	PRINTED CIRCUIT ASSY. (CONTROL) (M14)
6025140	PRINTED CIRCUIT ASSY. (CONTROL) (M13)
6025141	PRINTED CIRCUIT ASSY. (CONTROL) (M6)
6025142	PRINTED CIRCUIT ASSY. (CONTROL) (M7)
6025219	PRINTED CIRCUIT ASSY. (CONTROL) (M16)
6025133	PRINTED CIRCUIT ASSY. (CONTROL) (M9)
156720J	TERMINAL BLOCK (M1, M2, M3, M6, M7, M8, M9, M11, M12, M13, M15, M16)

### Expanded Model Nomenclature

M1 - RKN09NMVJU
M2 - RKN12NMVJU
M3 - RKN18NMVJU
M4 - RKN24NMVJU
M5 - RK09NMVJU
M6 - RK12NMVJU
M7 - RK18NMVJU
M8 - RK24NMVJU
M9 - RXN09NMVJU
M10 - RXN12NMVJU
M11 - RXN18NMVJU
M12 - RXN24NMVJU
M13 - RX09NMVJU
M14 - RX12NMVJU
M15 - RX18NMVJU
M16 - RX24NMVJU

RKN09NMVJU

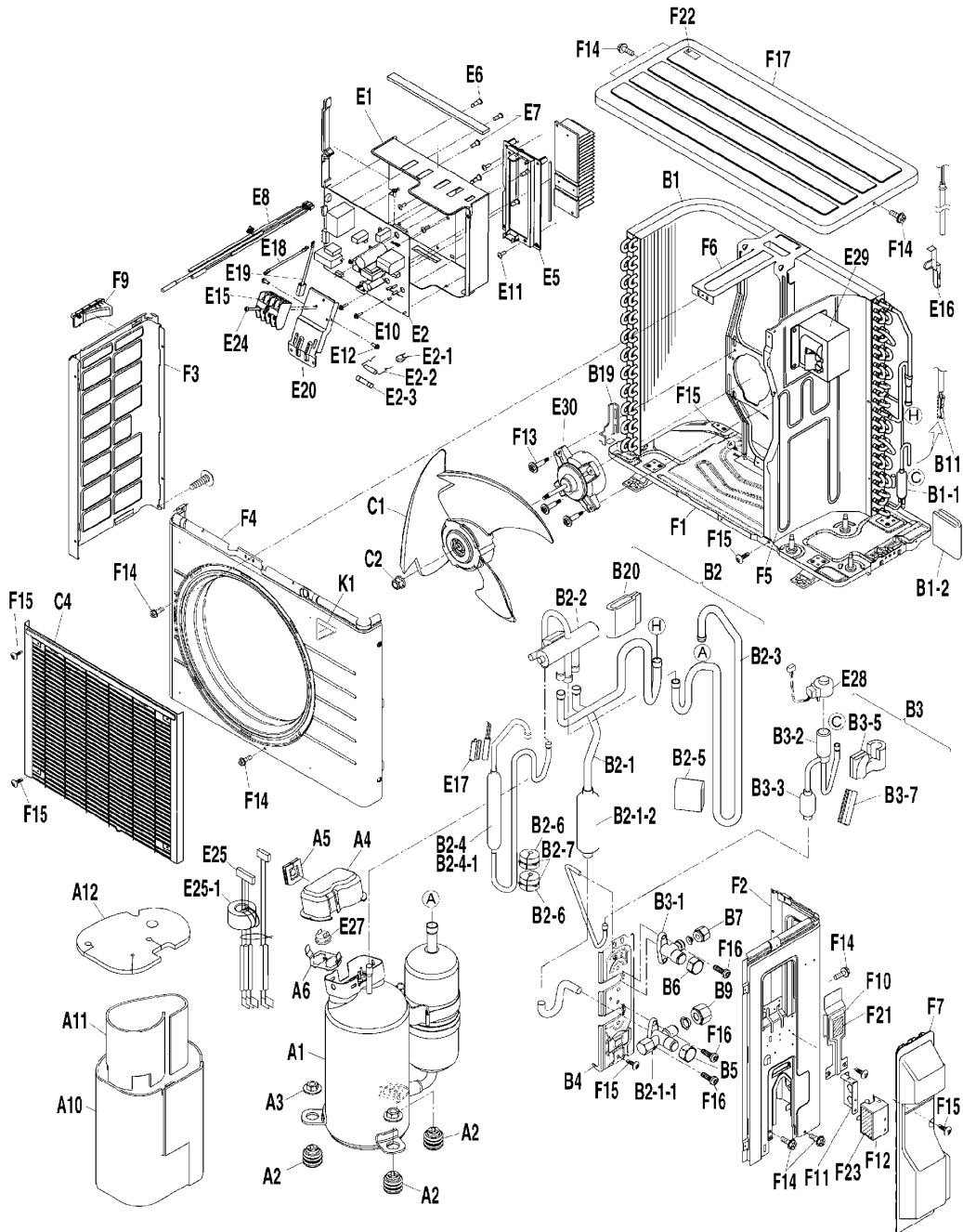


Picture Key

Ref #	Picture #
1	A1
2	A10
3	A11
4	A12
5	A2
6	A3
7	A4
8	A5
9	A6
10	B1
11	B11
12	B19
13	B2
14	B20
15	B2-1
16	B2-1-1
16	B2-1-2
17	B2-2
18	B2-3
19	B2-4
20	B2-4-1
21	B2-5
22	B2-6
23	B2-7
24	B3
25	B3-1
26	B3-2
27	B3-3
28	B3-4
29	B3-5
30	B3-6
31	B4
32	B5
33	B6
34	B7
35	B9
36	C1
37	C2
38	C4
39	E1
40	E10
41	E11
42	E12
43	E15
44	E16
45	E17
46	E18
47	E19
48	E2
49	E20
50	E2-1
51	E2-2
52	E2-3
53	E24
54	E25
55	E25-1
56	E27
57	E28
58	E29
59	E30
60	E5
61	E6
62	E7
63	E8
64	F1
65	F10
66	F11
67	F12
68	F13
69	F14
70	F15
71	F16
72	F17
73	F2
74	F21
75	F22
76	F23
77	F3
78	F4
79	F5
80	F6
81	F7
82	F9
83	K1

Ref. Part No: No:	Description:	Ref. Part No: No:	Description:
<b>Image 1:</b>		<b>Image 1:</b>	
1	6024928 COMPRESSOR ASSY. (M1)	61	6024341 LOCKING CARD SPACER (M1)
2	2222635 SOUND INSULATION (OUTER TRUNK) (M1)	62	6024342 CARD SPACER (M1)
3	6024336 SOUND INSULATION (INNER TRUNK) (M1)	63	6023970 THERMISTOR ASSY. (M1)
4	6024337 SOUND INSULATION (TOP) (M1)	64	6024933 BOTTOM FRAME ASSY. (M1)
5	091532J RUBBER GROMMET (M1)	65	6025117 PLATE/ RADIATION SHIELD (M1)
6	135859J FLANGE NUT (M1)	66	6025118 PLATE/ CONDUIT MOUNTING (M1)
7	1727788 TERMINAL COVER (M1)	67	6025119 COVER (CONDUIT MOUNTING PLATE) (M1)
8	040139J RUBBER BUSH/ LEAD WIRE (M1)	68	140380J WASHER FACED HEAD TAPPING SCREW (M1)
9	380620J RETAINER/ OVER-LOAD PROTECTOR (M1)	69	109224J HEX. HEAD TAPPING SCREW (M1)
10	6024929 PLATE FINNED COIL HEAT EXCH. ASSY. (M1)	70	008203J TRUSS HEAD TAPPING SCREW (M1)
11	380120J FITTING SPRING/ THERMISTOR (M1)	71	048017J PAN HEAD TAPPING SCREW (M1)
12	7900036 REAR PLATE/ CONDENSER (M1)	72	6025120 TOP PLATE ASSY. (M1)
13	6025113 FOUR WAY VALVE ASSY. (M1)	73	6023980 SIDE PLATE (RIGHT) (M1)
14	1754285 PUTTY (M1)	74	NA CAUTION LABEL (ELECTRIC SHOCK) (M1)
15	6024930 GAS STOP VALVE ASSY. (M1)	75	4011522 LABEL (M1)
16	7900031 GAS STOP VALVE ASSY. (SUB) (M1)	76	NA CAUTION LABEL (BURN) (M1)
16	1406207 MUFFLER (M1)	77	6023981 SIDE PLATE (LEFT) (M1)
17	1964138 BODY/ FOUR WAY VALVE (M1)	78	6024934 FRONT PLATE ASSY. (M1)
18	NA SUCTION PIPE (M1)	79	7900045 PARTITION PLATE (M1)
19	7900033 DISCHARGE PIPE ASSY. (M1)	80	7900046 FAN MOTOR STAND ASSY. (M1)
20	117029J MUFFLER (M1)	81	6025116 COVER/ STOP VALVE (M1)
21	6024338 PUTTY (M1)	82	6016076 HANDLE (LEFT) (M1)
22	980754J VIBRATION ABSORBER/ REF. PIPING (M1)	83	NA BRAND NAME LABEL (M1)
23	980761J WEIGHT CLIP (M1)	<b>Expanded Model Nomenclature</b>	
24	6025114 ELECTRONIC EXP. VALVE ASSY. (M1)	M1 - RKN09NMVJU	
25	7900035 LIQUID STOP VALVE ASSY. (M1)	M2 - RKN12NMVJU	
26	1980882 BODY/ ELECTRONIC EXP. VALVE (M1)	M3 - RKN18NMVJU	
27	138233J MUFFLER (M1)	M4 - RKN24NMVJU	
28	1851908 PUTTY (M1)	M5 - RK09NMVJU	
29	138349J PUTTY (M1)	M6 - RK12NMVJU	
30	237007J REFRIGERANT FILTER (M1)	M7 - RK18NMVJU	
31	6023978 SET PLATE/ STOP VALVE (M1)	M8 - RK24NMVJU	
32	2158703 CAP/ STOP VALVE (M1)	M9 - RXN09NMVJU	
33	1753314 VALVE CAP (M1)	M10 - RXN12NMVJU	
34	1723546 FLARE NUT (M1)	M11 - RXN18NMVJU	
35	119848J FLARE NUT (M1)	M12 - RXN24NMVJU	
36	6023976 FAN ROTOR (M1)	M13 - RX09NMVJU	
37	847002J FAN RETAINING NUT (M1)	M14 - RX12NMVJU	
38	6024931 DISCHARGE GRILLE ASSY. (M1)	M15 - RX18NMVJU	
39	6024339 SWITCH BOX (M1)	M16 - RX24NMVJU	
40	080611J MACHINE SCREW WITH WASHER (M1)		
41	109688J TRUSS HEAD TAPPING SCREW (M1)		
42	113783J TAPPING SCREW (M1)		
43	156720J TERMINAL BLOCK (M1)		
44	128511J FIXTURE/ THERMISTOR (M1)		
45	1728781 FIXTURE/ THERMISTOR (M1)		
46	6024945 EARTH WIRE (M1)		
47	2051477 EARTH WIRE (M1)		
48	6025115 PRINTED CIRCUIT ASSY. (CONTROL) (M1)		
49	6024343 MOUNTING PLATE (TERMINAL PLATE) (M1)		
50	4013760 VARISTOR (M1)		
51	131316J FUSE (M1)		
52	153875J FUSE (M1)		
53	1839504 PAN HEAD TAPPING SCREW (M1)		
54	6023973 WIRE HARNESS (COMPRESSOR) (M1)		
55	7900041 FERRITE CORE (M1)		
56	622418J OVERLOAD PROTECTOR (M1)		
57	2149367 COIL/ ELECTRONIC EXP. VALVE (M1)		
58	6023975 REACTOR (M1)		
59	6024932 DC FAN MOTOR (M1)		
60	6024340 MOUNTING PLATE (HEAT SINK) (M1)		

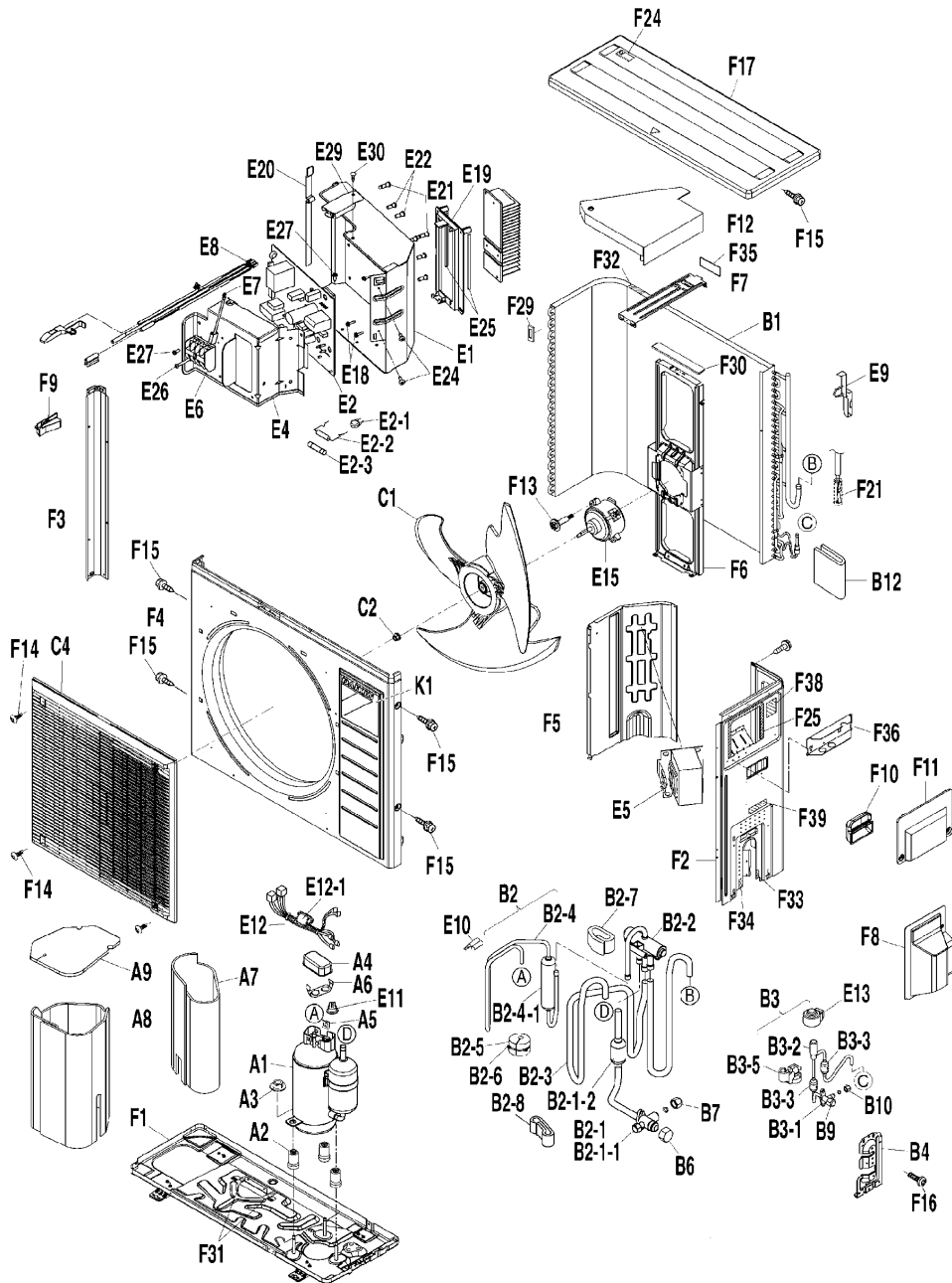
— TOP —



Picture Key	
Ref #	Picture #
1	A1
2	A10
3	A11
4	A12
5	A2
6	A3
7	A4
8	A5
9	A6
10	B1
11	B11
12	B1-1
13	B1-2
14	B19
15	B2
16	B20
16	B2-1
17	B2-1-1
18	B2-1-2
19	B2-2
20	B2-3
21	B2-4
22	B2-4-1
23	B2-5
24	B2-6
25	B2-7
26	B3
27	B3-1
28	B3-2
29	B3-3
30	B3-5
31	B3-7
32	B4
33	B5
34	B6
35	B7
36	B9
37	C1
38	C2
39	C4
40	E1
41	E10
42	E11
43	E12
44	E15
45	E16
46	E17
47	E18
48	E19
49	E2
50	E20
51	E2-1
52	E2-2
53	E2-3
54	E24
55	E25
56	E25-1
57	E27
58	E28
59	E29
60	E30
61	E5
62	E6
63	E7
64	E8
65	F1
66	F10
67	F11
68	F12
69	F13
70	F14
71	F15
72	F16
73	F17
74	F2
75	F21
76	F22
77	F23
78	F3
79	F4
80	F5
81	F6
82	F7
83	F9
84	K1

Ref. Part No: No:	Description:	Ref. Part No: No:	Description:																
<b>Image 1:</b>		<b>Image 1:</b>																	
1	6024928 COMPRESSOR ASSY. (M2)	61	6024340 MOUNTING PLATE (HEAT SINK) (M2)																
2	6024344 SOUND INSULATION (OUTER TRUNK) (M2)	62	6024341 LOCKING CARD SPACER (M2)																
3	6024336 SOUND INSULATION (INNER TRUNK) (M2)	63	6024342 CARD SPACER (M2)																
4	6024337 SOUND INSULATION (TOP) (M2)	64	6023970 THERMISTOR ASSY. (M2)																
5	091532J RUBBER GROMMET (M2)	65	6024933 BOTTOM FRAME ASSY. (M2)																
6	135859J FLANGE NUT (M2)	66	6025117 PLATE/ RADIATION SHIELD (M2)																
7	1727788 TERMINAL COVER (M2)	67	6025118 PLATE/ CONDUIT MOUNTING (M2)																
8	040139J RUBBER BUSH/ LEAD WIRE (M2)	68	6025119 COVER (CONDUIT MOUNTING PLATE) (M2)																
9	380620J RETAINER/ OVER-LOAD PROTECTOR (M2)	69	140380J WASHER FACED HEAD TAPPING SCREW (M2)																
10	6024935 PLATE FINNED COIL HEAT EXCH. ASSY. (M2)	70	109224J HEX. HEAD TAPPING SCREW (M2)																
11	380120J FITTING SPRING/ THERMISTOR (M2)	71	008203J TRUSS HEAD TAPPING SCREW (M2)																
12	154401J MUFFLER (M2)	72	048017J PAN HEAD TAPPING SCREW (M2)																
13	7900057 PUTTY (M2)	73	6025120 TOP PLATE ASSY. (M2)																
14	7900036 REAR PLATE/ CONDENSER (M2)	74	6023980 SIDE PLATE (RIGHT) (M2)																
15	6025130 FOUR WAY VALVE ASSY. (M2)	75	NA CAUTION LABEL (ELECTRIC SHOCK) (M2)																
16	6024930 GAS STOP VALVE ASSY. (M2)	76	4011522 LABEL (M2)																
16	1754285 PUTTY (M2)	77	NA CAUTION LABEL (BURN) (M2)																
17	7900031 GAS STOP VALVE ASSY. (SUB) (M2)	78	6023981 SIDE PLATE (LEFT) (M2)																
18	1406207 MUFFLER (M2)	79	6024934 FRONT PLATE ASSY. (M2)																
19	1964138 BODY/ FOUR WAY VALVE (M2)	80	7900045 PARTITION PLATE (M2)																
20	NA SUCTION PIPE (M2)	81	6023988 SUPPORT PLATE/ FAN MOTOR (M2)																
21	7900033 DISCHARGE PIPE ASSY. (M2)	82	6025116 COVER/ STOP VALVE (M2)																
22	117029J MUFFLER (M2)	83	6016076 HANDLE (LEFT) (M2)																
23	6024338 PUTTY (M2)	84	NA BRAND NAME LABEL (M2)																
24	980754J VIBRATION ABSORBER/ REF. PIPING (M2)	<b>Expanded Model Nomenclature</b>																	
25	980761J WEIGHT CLIP (M2)	<table border="1"> <tr><td>M1 - RKN09NMVJU</td></tr> <tr><td>M2 - RKN12NMVJU</td></tr> <tr><td>M3 - RKN18NMVJU</td></tr> <tr><td>M4 - RKN24NMVJU</td></tr> <tr><td>M5 - RK09NMVJU</td></tr> <tr><td>M6 - RK12NMVJU</td></tr> <tr><td>M7 - RK18NMVJU</td></tr> <tr><td>M8 - RK24NMVJU</td></tr> <tr><td>M9 - RXN09NMVJU</td></tr> <tr><td>M10 - RXN12NMVJU</td></tr> <tr><td>M11 - RXN18NMVJU</td></tr> <tr><td>M12 - RXN24NMVJU</td></tr> <tr><td>M13 - RX09NMVJU</td></tr> <tr><td>M14 - RX12NMVJU</td></tr> <tr><td>M15 - RX18NMVJU</td></tr> <tr><td>M16 - RX24NMVJU</td></tr> </table>		M1 - RKN09NMVJU	M2 - RKN12NMVJU	M3 - RKN18NMVJU	M4 - RKN24NMVJU	M5 - RK09NMVJU	M6 - RK12NMVJU	M7 - RK18NMVJU	M8 - RK24NMVJU	M9 - RXN09NMVJU	M10 - RXN12NMVJU	M11 - RXN18NMVJU	M12 - RXN24NMVJU	M13 - RX09NMVJU	M14 - RX12NMVJU	M15 - RX18NMVJU	M16 - RX24NMVJU
M1 - RKN09NMVJU																			
M2 - RKN12NMVJU																			
M3 - RKN18NMVJU																			
M4 - RKN24NMVJU																			
M5 - RK09NMVJU																			
M6 - RK12NMVJU																			
M7 - RK18NMVJU																			
M8 - RK24NMVJU																			
M9 - RXN09NMVJU																			
M10 - RXN12NMVJU																			
M11 - RXN18NMVJU																			
M12 - RXN24NMVJU																			
M13 - RX09NMVJU																			
M14 - RX12NMVJU																			
M15 - RX18NMVJU																			
M16 - RX24NMVJU																			
26	6025131 ELECTRONIC EXP. VALVE ASSY. (M2)																		
27	7900035 LIQUID STOP VALVE ASSY. (M2)																		
28	1980882 BODY/ ELECTRONIC EXP. VALVE (M2)																		
29	138233J MUFFLER (M2)																		
30	138349J PUTTY (M2)																		
31	159396J PUTTY (M2)																		
32	6023978 SET PLATE/ STOP VALVE (M2)																		
33	2158703 CAP/ STOP VALVE (M2)																		
34	1753314 VALVE CAP (M2)																		
35	1723546 FLARE NUT (M2)																		
36	119848J FLARE NUT (M2)																		
37	6023976 FAN ROTOR (M2)																		
38	847002J FAN RETAINING NUT (M2)																		
39	6024931 DISCHARGE GRILLE ASSY. (M2)																		
40	6024339 SWITCH BOX (M2)																		
41	080611J MACHINE SCREW WITH WASHER (M2)																		
42	109688J TRUSS HEAD TAPPING SCREW (M2)																		
43	113783J TAPPING SCREW (M2)																		
44	156720J TERMINAL BLOCK (M2)																		
45	128511J FIXTURE/ THERMISTOR (M2)																		
46	1728781 FIXTURE/ THERMISTOR (M2)																		
47	6024945 EARTH WIRE (M2)																		
48	2051477 EARTH WIRE (M2)																		
49	6025132 PRINTED CIRCUIT ASSY. (CONTROL) (M2)																		
50	6024343 MOUNTING PLATE (TERMINAL PLATE) (M2)																		
51	4013760 VARISTOR (M2)																		
52	131316J FUSE (M2)																		
53	153875J FUSE (M2)																		
54	1839504 PAN HEAD TAPPING SCREW (M2)																		
55	6023973 WIRE HARNESS (COMPRESSOR) (M2)																		
56	7900041 FERRITE CORE (M2)																		
57	622418J OVERLOAD PROTECTOR (M2)																		
58	2149367 COIL/ ELECTRONIC EXP. VALVE (M2)																		
59	6023975 REACTOR (M2)																		
60	6024932 DC FAN MOTOR (M2)																		

— TOP —



Picture Key

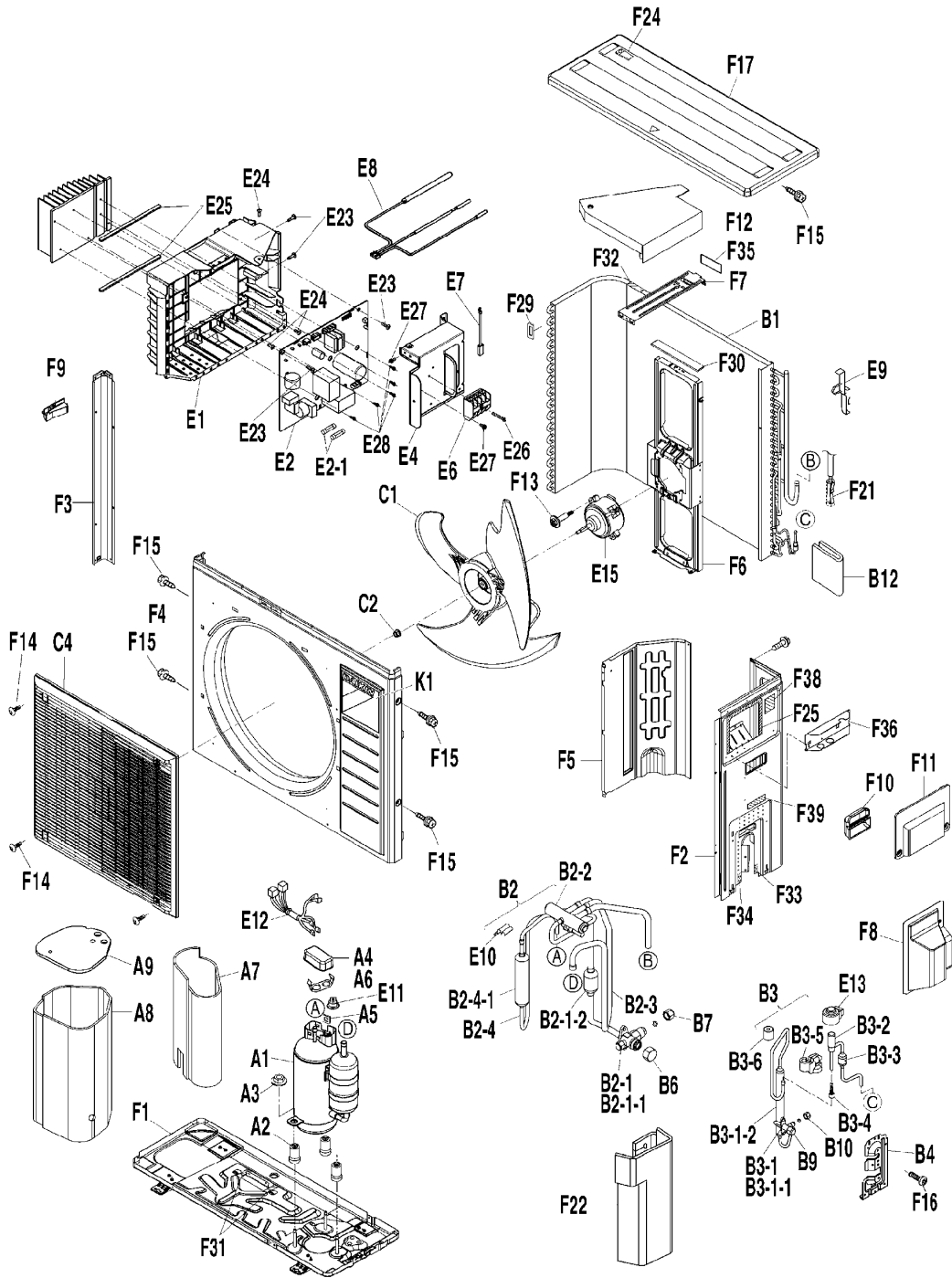
Ref #	Picture #
1	A1
2	A2
3	A3
4	A4
5	A5
6	A6
7	A7
8	A8
9	A9
10	B1
11	B10
12	B12
13	B2
14	B2-1
15	B2-1-1
16	B2-1-2
16	B2-2
17	B2-3
18	B2-4
19	B2-4-1
20	B2-5
21	B2-6
22	B2-7
23	B2-8
24	B3
25	B3-1
26	B3-2
27	B3-3
28	B3-5
29	B4
30	B6
31	B7
32	B9
33	C1
34	C2
35	C4
36	E1
37	E10
38	E11
39	E12
40	E12-1
41	E13
42	E15
43	E18
44	E19
45	E2
46	E20
47	E21
48	E2-1
49	E22
50	E2-2
51	E2-3
52	E24
53	E25
54	E26
55	E27
56	E29
57	E30
58	E4
59	E5
60	E6
61	E7
62	E8
63	E9
64	F1
65	F10
66	F11
67	F12
68	F13
69	F14
70	F15
71	F16
72	F17
73	F2
74	F21
75	F24
76	F25
77	F29
78	F3
79	F30
80	F31
81	F32
82	F33
83	F34
84	F35
85	F36
86	F38
87	F39
88	F4
89	F5
90	F6
91	F7
92	F8
93	F9
94	K1



Ref. Part No: No:	Description:	Ref. Part No: No:	Description:
<b>Image 1:</b>		<b>Image 1:</b>	
1	6024947 COMPRESSOR ASSY. (M3)	61	2051477 EARTH WIRE (M3)
2	128989J RUBBER GROMMET (M3)	62	6025097 THERMISTOR ASSY. (M3)
3	135859J FLANGE NUT (M3)	63	128511J FIXTURE/ THERMISTOR (M3)
4	1727788 TERMINAL COVER (M3)	64	6024943 BOTTOM FRAME ASSY. (M3)
5	040139J RUBBER BUSH/ LEAD WIRE (M3)	65	1885709 HANDLE (M3)
6	380620J RETAINER/ OVER-LOAD PROTECTOR (M3)	66	6025101 TERMINAL STRIP COVER (M3)
7	6025086 SOUND INSULATION (INNER SLEEVE) (M3)	67	6022865 DRIP PROOF COVER (M3)
8	6025087 SOUND INSULATION (OUTER SLEEVE) (M3)	68	140380J WASHER FACED HEAD TAPPING SCREW (M3)
9	6025088 SOUND INSULATION (TOP) (M3)	69	008203J TRUSS HEAD TAPPING SCREW (M3)
10	6025089 HEAT EXCHANGER ASSY. (M3)	70	109224J HEX. HEAD TAPPING SCREW (M3)
11	1723546 FLARE NUT (M3)	71	048017J PAN HEAD TAPPING SCREW (M3)
12	NA PUTTY (M3)	72	6022834 TOP PLATE (M3)
13	6025090 FOUR WAY VALVE ASSY. (M3)	73	6022707 SIDE PLATE (RIGHT) (M3)
14	6025091 GAS STOP VALVE ASSY. (M3)	74	380120J FITTING SPRING/ THERMISTOR (M3)
15	7900065 GAS STOP VALVE ASSY. (SUB) (M3)	75	4011522 LABEL (M3)
16	4009504 BODY/ FOUR WAY VALVE (M3)	76	7900079 SEALING MATERIAL (M3)
16	170889J MUFFLER (M3)	77	7900083 SEALING MATERIAL (M3)
17	6025092 SUCTION PIPE (M3)	78	6022758 SIDE PLATE (LEFT) (M3)
18	6025093 DISCHARGE PIPE ASSY. (M3)	79	7900084 CUSHION MATERIAL (FAN MOTOR STAND) (M3)
19	152295J MUFFLER (M3)	80	7900085 CUSHION RUBBER (BOTTOM FRAME) (M3)
20	980754J VIBRATION ABSORBER/ REF. PIPING (M3)	81	NA SEALING MATERIAL (M3)
21	980761J WEIGHT CLIP (M3)	82	7900086 SEALING MATERIAL (M3)
22	NA PUTTY (M3)	83	7900087 SEALING MATERIAL (M3)
23	NA PUTTY (M3)	84	2256032 CUSHION MATERIAL (CR FORM RUBBER) (M3)
24	6025094 ELECTRONIC EXP. VALVE ASSY. (M3)	85	6025102 CONDUIT MOUNTING PLATE (M3)
25	7900069 LIQUID STOP VALVE ASSY. (M3)	86	NA CAUTION LABEL (ELECTRIC SHOCK) (M3)
26	131004J BODY/ ELECTRONIC EXP. VALVE (M3)	87	6019130 CAUTION LABEL (BURN) (M3)
27	138233J MUFFLER (M3)	88	6022706 FRONT PLATE (M3)
28	137963J PUTTY (M3)	89	6025099 PARTITION PLATE (M3)
29	7900070 SET PLATE/ STOP VALVE (M3)	90	6022871 MOTOR BASE (M3)
30	119849J FLARE NUT (M3)	91	6025100 FAN MOTOR STAND (M3)
31	6015411 VALVE CAP (M3)	92	6022709 INDICATOR COVER (M3)
32	1753314 VALVE CAP (M3)	93	6022835 HANDLE (M3)
33	6022761 FAN BLADE (M3)	94	NA BRAND NAME LABEL (M3)
34	847003J LOCK NUT/ FAN (M3)	<b>Expanded Model Nomenclature</b>	
35	6024941 DISCHARGE GRILLE ASSY. (M3)	M1 - RKN09NMVJU	
36	6025095 SWITCH BOX (M3)	M2 - RKN12NMVJU	
37	1728781 FIXTURE/ THERMISTOR (M3)	M3 - RKN18NMVJU	
38	622418J OVERLOAD PROTECTOR (M3)	M4 - RKN24NMVJU	
39	6025098 WIRE HARNESS (COMP) (M3)	M5 - RK09NMVJU	
40	7900041 FERRITE CORE (M3)	M6 - RK12NMVJU	
41	2149367 COIL/ ELECTRONIC EXP. VALVE (M3)	M7 - RK18NMVJU	
42	6024942 DC FAN MOTOR (M3)	M8 - RK24NMVJU	
43	080611J MACHINE SCREW WITH WASHER (M3)	M9 - RXN09NMVJU	
44	6024340 MOUNTING PLATE (HEAT SINK) (M3)	M10 - RXN12NMVJU	
45	6025096 PRINTED CIRCUIT ASSY. (CONTROL) (M3)	M11 - RXN18NMVJU	
46	NA SEALING MATERIAL (M3)	M12 - RXN24NMVJU	
47	6024341 LOCKING CARD SPACER (M3)	M13 - RX09NMVJU	
48	4013760 VARISTOR (M3)	M14 - RX12NMVJU	
49	6024342 CARD SPACER (M3)	M15 - RX18NMVJU	
50	131316J FUSE (M3)	M16 - RX24NMVJU	
51	153875J FUSE (M3)		
52	109688J TRUSS HEAD TAPPING SCREW (M3)		
53	NA SEALING MATERIAL (M3)		
54	1839504 PAN HEAD TAPPING SCREW (M3)		
55	113783J TAPPING SCREW (M3)		
56	NA FIXTURE (EL. COMPO. ASSY.) (M3)		
57	NA FIXTURE (EL. COMPO. ASSY.) (M3)		
58	6023858 MOUNTING PLATE (TERMINAL STRIP) (M3)		
59	6023975 REACTOR (M3)		
60	156720J TERMINAL BLOCK (M3)		

RKN24NMVJU

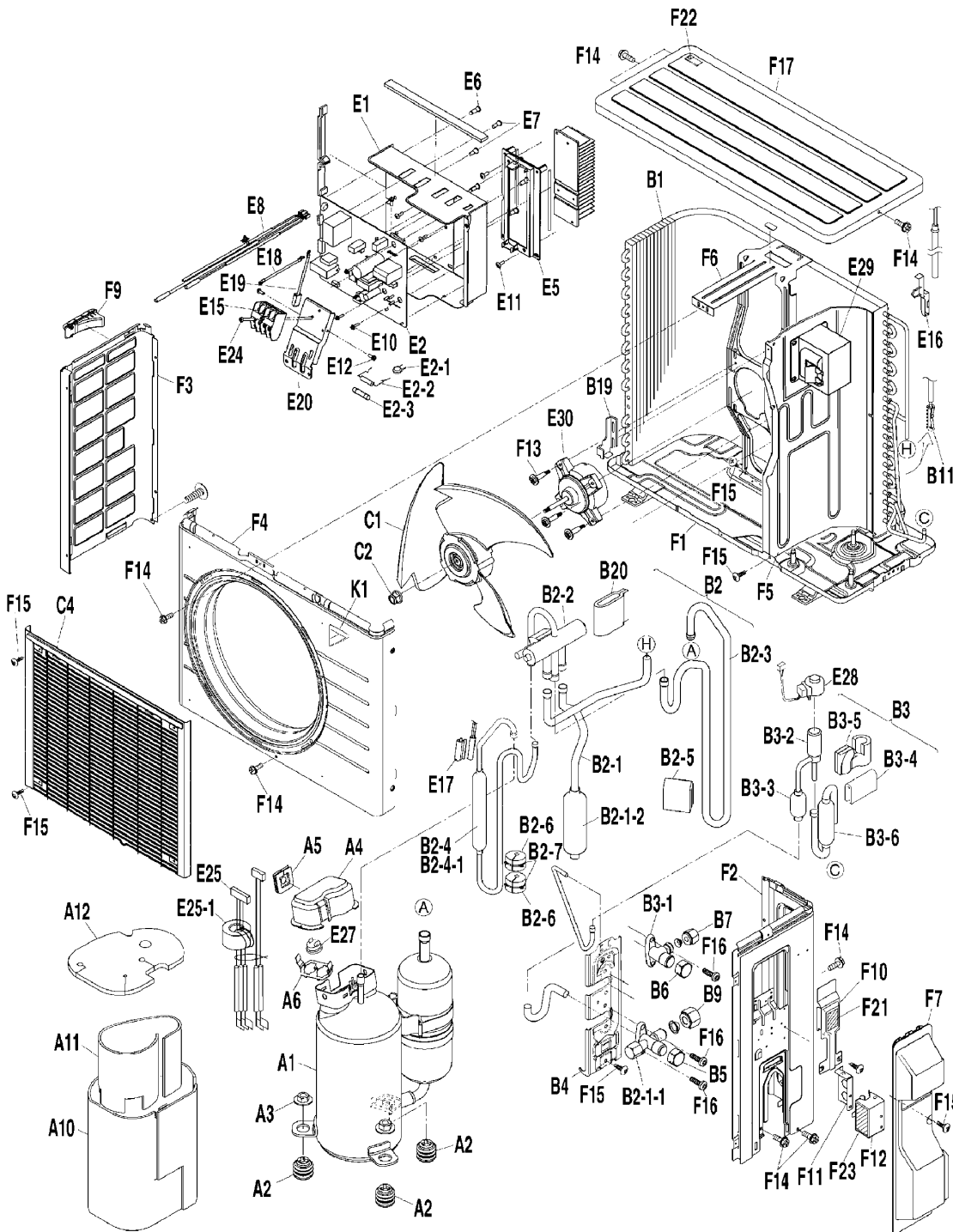
— TOP —



Picture Key	
Ref #	Picture #
1	A1
2	A2
3	A3
4	A4
5	A5
6	A6
7	A7
8	A8
9	A9
10	B1
11	B10
12	B12
13	B2
14	B2-1
15	B2-1-1
16	B2-1-2
16	B2-2
17	B2-3
18	B2-4
19	B2-4-1
20	B3
21	B3-1
22	B3-1-1
23	B3-1-2
24	B3-2
25	B3-3
26	B3-4
27	B3-5
28	B3-6
29	B4
30	B6
31	B7
32	B9
33	C1
34	C2
35	C4
36	E1
37	E10
38	E11
39	E12
40	E13
41	E15
42	E2
43	E2-1
44	E23
45	E24
46	E25
47	E26
48	E27
49	E28
50	E4
51	E6
52	E7
53	E8
54	E9
55	F1
56	F10
57	F11
58	F12
59	F13
60	F14
61	F15
62	F16
63	F17
64	F2
65	F21
66	F22
67	F24
68	F25
69	F29
70	F3
71	F30
72	F31
73	F32
74	F33
75	F34
76	F35
77	F36
78	F38
79	F39
80	F4
81	F5
82	F6
83	F7
84	F8
85	F9
86	K1

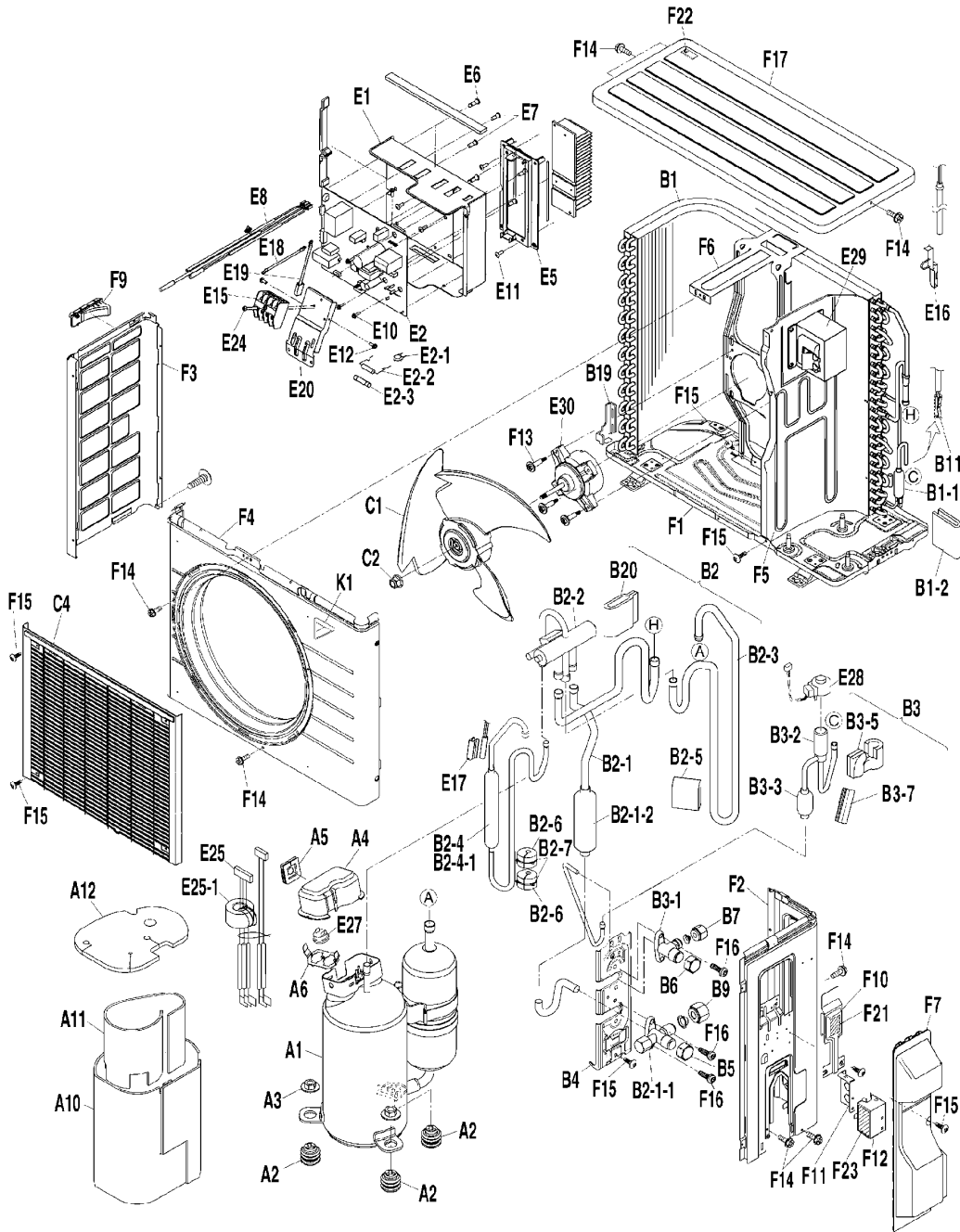
Ref. Part No: No:	Description:	Ref. Part No: No:	Description:																
<b>Image 1:</b>		<b>Image 1:</b>																	
1	6024936 COMPRESSOR ASSY. (M4)	61	109224J HEX. HEAD TAPPING SCREW (M4)																
2	128989J RUBBER GROMMET (M4)	62	048017J PAN HEAD TAPPING SCREW (M4)																
3	135859J FLANGE NUT (M4)	63	6022834 TOP PLATE (M4)																
4	1727788 TERMINAL COVER (M4)	64	6022707 SIDE PLATE (RIGHT) (M4)																
5	040139J RUBBER BUSH/ LEAD WIRE (M4)	65	380120J FITTING SPRING/ THERMISTOR (M4)																
6	380620J RETAINER/ OVER-LOAD PROTECTOR (M4)	66	6025112 SOUND INSULATION (RV) (M4)																
7	6025086 SOUND INSULATION (INNER SLEEVE) (M4)	67	4011522 LABEL (M4)																
8	6023853 SOUND INSULATION (OUTER BODY) (M4)	68	7900079 SEALING MATERIAL (M4)																
9	6023854 SOUND INSULATION (TOP) (M4)	69	7900083 SEALING MATERIAL (M4)																
10	6025089 HEAT EXCHANGER ASSY. (M4)	70	6022758 SIDE PLATE (LEFT) (M4)																
11	1723546 FLARE NUT (M4)	71	7900084 CUSHION MATERIAL (FAN MOTOR STAND) (M4)																
12	NA PUTTY (M4)	72	7900085 CUSHION RUBBER (BOTTOM FRAME) (M4)																
13	6025103 FOUR WAY VALVE ASSY. (M4)	73	NA SEALING MATERIAL (M4)																
14	6024938 GAS STOP VALVE ASSY. (M4)	74	7900086 SEALING MATERIAL (M4)																
15	6024940 GAS STOP VALVE ASSY. (SUB) (M4)	75	7900087 SEALING MATERIAL (M4)																
16	4009504 BODY/ FOUR WAY VALVE (M4)	76	2256032 CUSHION MATERIAL (CR FORM RUBBER) (M4)																
16	170889J MUFFLER (M4)	77	6025102 CONDUIT MOUNTING PLATE (M4)																
17	6025104 SUCTION PIPE (M4)	78	NA CAUTION LABEL (ELECTRIC SHOCK) (M4)																
18	6025105 DISCHARGE PIPE ASSY. (M4)	79	6019130 CAUTION LABEL (BURN) (M4)																
19	152295J MUFFLER (M4)	80	6022706 FRONT PLATE (M4)																
20	6025106 ELECTRONIC EXP. VALVE ASSY. (M4)	81	6022760 PARTITION PLATE (M4)																
21	6025107 LIQUID RECEIVER ASSY. (M4)	82	6022871 MOTOR BASE (M4)																
22	6025108 LIQUID STOP VALVE ASSY. (M4)	83	6025100 FAN MOTOR STAND (M4)																
23	99S8402 LIQUID RECEIVER (M4)	84	6022709 INDICATOR COVER (M4)																
24	131004J BODY/ ELECTRONIC EXP. VALVE (M4)	85	6022835 HANDLE (M4)																
25	138233J MUFFLER (M4)	86	NA BRAND NAME LABEL (M4)																
26	111167J STRAINER (M4)	<b>Expanded Model Nomenclature</b>																	
27	137963J PUTTY (M4)	<table border="1"> <tr><td>M1 - RKN09NMVJU</td></tr> <tr><td>M2 - RKN12NMVJU</td></tr> <tr><td>M3 - RKN18NMVJU</td></tr> <tr><td>M4 - RKN24NMVJU</td></tr> <tr><td>M5 - RK09NMVJU</td></tr> <tr><td>M6 - RK12NMVJU</td></tr> <tr><td>M7 - RK18NMVJU</td></tr> <tr><td>M8 - RK24NMVJU</td></tr> <tr><td>M9 - RXN09NMVJU</td></tr> <tr><td>M10 - RXN12NMVJU</td></tr> <tr><td>M11 - RXN18NMVJU</td></tr> <tr><td>M12 - RXN24NMVJU</td></tr> <tr><td>M13 - RX09NMVJU</td></tr> <tr><td>M14 - RX12NMVJU</td></tr> <tr><td>M15 - RX18NMVJU</td></tr> <tr><td>M16 - RX24NMVJU</td></tr> </table>		M1 - RKN09NMVJU	M2 - RKN12NMVJU	M3 - RKN18NMVJU	M4 - RKN24NMVJU	M5 - RK09NMVJU	M6 - RK12NMVJU	M7 - RK18NMVJU	M8 - RK24NMVJU	M9 - RXN09NMVJU	M10 - RXN12NMVJU	M11 - RXN18NMVJU	M12 - RXN24NMVJU	M13 - RX09NMVJU	M14 - RX12NMVJU	M15 - RX18NMVJU	M16 - RX24NMVJU
M1 - RKN09NMVJU																			
M2 - RKN12NMVJU																			
M3 - RKN18NMVJU																			
M4 - RKN24NMVJU																			
M5 - RK09NMVJU																			
M6 - RK12NMVJU																			
M7 - RK18NMVJU																			
M8 - RK24NMVJU																			
M9 - RXN09NMVJU																			
M10 - RXN12NMVJU																			
M11 - RXN18NMVJU																			
M12 - RXN24NMVJU																			
M13 - RX09NMVJU																			
M14 - RX12NMVJU																			
M15 - RX18NMVJU																			
M16 - RX24NMVJU																			
28	6025109 THERMAL INSULATION TUBE (M4)																		
29	6016077 MOUNTING PLATE/ STOP VALVE (M4)																		
30	119850J FLARE NUT (M4)																		
31	139571J VALVE CAP (M4)																		
32	1753314 VALVE CAP (M4)																		
33	6022761 FAN BLADE (M4)																		
34	847003J LOCK NUT/ FAN (M4)																		
35	6024941 DISCHARGE GRILLE ASSY. (M4)																		
36	6023857 EL. COMPO. MOUNTING PLATE (M4)																		
37	1728781 FIXTURE/ THERMISTOR (M4)																		
38	622418J OVERLOAD PROTECTOR (M4)																		
39	7900074 WIRE HARNESS (COMP) (M4)																		
40	6022924 COIL/ ELECTRONIC EXP. VALVE (M4)																		
41	6024942 DC FAN MOTOR (M4)																		
42	6025110 PRINTED CIRCUIT ASSY. (CONTROL) (M4)																		
43	153875J FUSE (M4)																		
44	121650J TRUSS HEAD TAPPING SCREW (M4)																		
45	109688J TRUSS HEAD TAPPING SCREW (M4)																		
46	NA SEALING MATERIAL (M4)																		
47	1839504 PAN HEAD TAPPING SCREW (M4)																		
48	113783J TAPPING SCREW (M4)																		
49	131073J PAN HEAD MACHINE SCREW (M4)																		
50	6023858 MOUNTING PLATE (TERMINAL STRIP) (M4)																		
51	156720J TERMINAL BLOCK (M4)																		
52	2051477 EARTH WIRE (M4)																		
53	6025111 THERMISTOR ASSY. (M4)																		
54	128511J FIXTURE/ THERMISTOR (M4)																		
55	6024943 BOTTOM FRAME ASSY. (M4)																		
56	1885709 HANDLE (M4)																		
57	6025101 TERMINAL STRIP COVER (M4)																		
58	6022865 DRIP PROOF COVER (M4)																		
59	140380J WASHER FACED HEAD TAPPING SCREW (M4)																		
60	008203J TRUSS HEAD TAPPING SCREW (M4)																		

— TOP —



Picture Key	
Ref #	Picture #
1	A1
2	A10
3	A11
4	A12
5	A2
6	A3
7	A4
8	A5
9	A6
10	B1
11	B11
12	B19
13	B2
14	B20
15	B2-1
16	B2-1-1
16	B2-1-2
17	B2-2
18	B2-3
19	B2-4
20	B2-4-1
21	B2-5
22	B2-6
23	B2-7
24	B3
25	B3-1
26	B3-2
27	B3-3
28	B3-4
29	B3-5
30	B3-6
31	B4
32	B5
33	B6
34	B7
35	B9
36	C1
37	C2
38	C4
39	E1
40	E10
41	E11
42	E12
43	E15
44	E16
45	E17
46	E18
47	E19
48	E2
49	E20
50	E2-1
51	E2-2
52	E2-3
53	E24
54	E25
55	E25-1
56	E27
57	E28
58	E29
59	E30
60	E5
61	E6
62	E7
63	E8
64	F1
65	F10
66	F11
67	F12
68	F13
69	F14
70	F15
71	F16
72	F17
73	F2
74	F21
75	F22
76	F23
77	F3
78	F4
79	F5
80	F6
81	F7
82	F9
83	K1

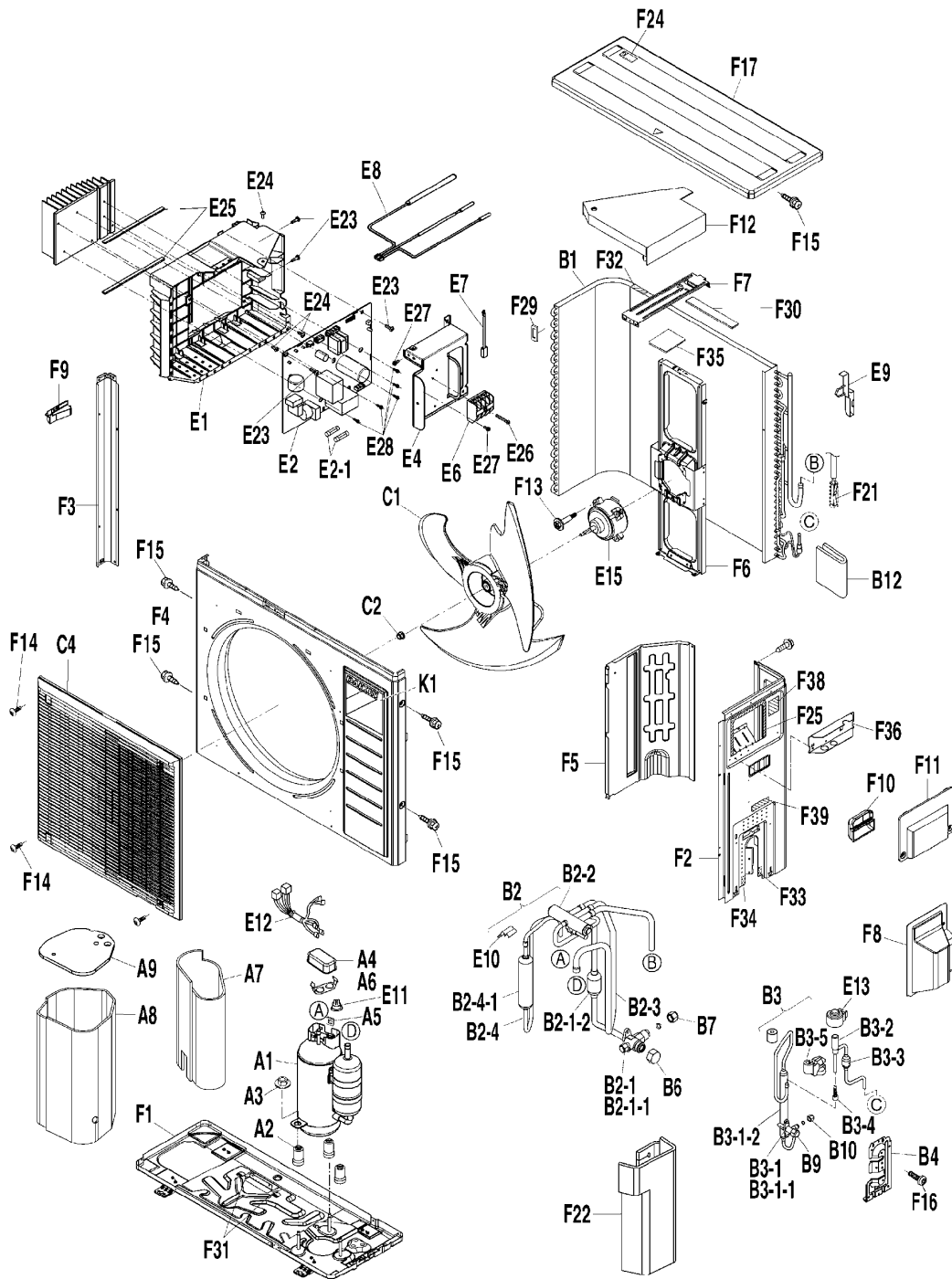
Ref. Part No: No:	Description:	Ref. Part No: No:	Description:
<b>Image 1:</b>		<b>Image 1:</b>	
1	6024928 COMPRESSOR ASSY. (M5)	61	6024341 LOCKING CARD SPACER (M5)
2	2222635 SOUND INSULATION (OUTER TRUNK) (M5)	62	6024342 CARD SPACER (M5)
3	6024336 SOUND INSULATION (INNER TRUNK) (M5)	63	6023970 THERMISTOR ASSY. (M5)
4	6024337 SOUND INSULATION (TOP) (M5)	64	6024933 BOTTOM FRAME ASSY. (M5)
5	091532J RUBBER GROMMET (M5)	65	6025117 PLATE/ RADIATION SHIELD (M5)
6	135859J FLANGE NUT (M5)	66	6025118 PLATE/ CONDUIT MOUNTING (M5)
7	1727788 TERMINAL COVER (M5)	67	6025119 COVER (CONDUIT MOUNTING PLATE) (M5)
8	040139J RUBBER BUSH/ LEAD WIRE (M5)	68	140380J WASHER FACED HEAD TAPPING SCREW (M5)
9	380620J RETAINER/ OVER-LOAD PROTECTOR (M5)	69	109224J HEX. HEAD TAPPING SCREW (M5)
10	7900028 CROSS-FIN CONDENSER ASSY. (M5)	70	008203J TRUSS HEAD TAPPING SCREW (M5)
11	380120J FITTING SPRING/ THERMISTOR (M5)	71	048017J PAN HEAD TAPPING SCREW (M5)
12	7900036 REAR PLATE/ CONDENSER (M5)	72	6025120 TOP PLATE ASSY. (M5)
13	6025135 FOUR WAY VALVE ASSY. (M5)	73	6023980 SIDE PLATE (RIGHT) (M5)
14	1754285 PUTTY (M5)	74	NA CAUTION LABEL (ELECTRIC SHOCK) (M5)
15	6024930 GAS STOP VALVE ASSY. (M5)	75	4011522 LABEL (M5)
16	7900031 GAS STOP VALVE ASSY. (SUB) (M5)	76	NA CAUTION LABEL (BURN) (M5)
16	1406207 MUFFLER (M5)	77	6023981 SIDE PLATE (LEFT) (M5)
17	1964138 BODY/ FOUR WAY VALVE (M5)	78	6024934 FRONT PLATE ASSY. (M5)
18	NA SUCTION PIPE (M5)	79	7900045 PARTITION PLATE (M5)
19	7900033 DISCHARGE PIPE ASSY. (M5)	80	7900046 FAN MOTOR STAND ASSY. (M5)
20	117029J MUFFLER (M5)	81	6025116 COVER/ STOP VALVE (M5)
21	6024338 PUTTY (M5)	82	6016076 HANDLE (LEFT) (M5)
22	980754J VIBRATION ABSORBER/ REF. PIPING (M5)	83	NA BRAND NAME LABEL (M5)
23	980761J WEIGHT CLIP (M5)	<b>Expanded Model Nomenclature</b>	
24	6025114 ELECTRONIC EXP. VALVE ASSY. (M5)	M1 - RKN09NMVJU	
25	7900035 LIQUID STOP VALVE ASSY. (M5)	M2 - RKN12NMVJU	
26	1980882 BODY/ ELECTRONIC EXP. VALVE (M5)	M3 - RKN18NMVJU	
27	138233J MUFFLER (M5)	M4 - RKN24NMVJU	
28	1851908 PUTTY (M5)	M5 - RK09NMVJU	
29	138349J PUTTY (M5)	M6 - RK12NMVJU	
30	237007J REFRIGERANT FILTER (M5)	M7 - RK18NMVJU	
31	6023978 SET PLATE/ STOP VALVE (M5)	M8 - RK24NMVJU	
32	2158703 CAP/ STOP VALVE (M5)	M9 - RXN09NMVJU	
33	1753314 VALVE CAP (M5)	M10 - RXN12NMVJU	
34	1723546 FLARE NUT (M5)	M11 - RXN18NMVJU	
35	119848J FLARE NUT (M5)	M12 - RXN24NMVJU	
36	6023976 FAN ROTOR (M5)	M13 - RX09NMVJU	
37	847002J FAN RETAINING NUT (M5)	M14 - RX12NMVJU	
38	6024931 DISCHARGE GRILLE ASSY. (M5)	M15 - RX18NMVJU	
39	6024339 SWITCH BOX (M5)	M16 - RX24NMVJU	
40	080611J MACHINE SCREW WITH WASHER (M5)		
41	109688J TRUSS HEAD TAPPING SCREW (M5)		
42	113783J TAPPING SCREW (M5)		
43	156720J TERMINAL BLOCK (M5)		
44	128511J FIXTURE/ THERMISTOR (M5)		
45	1728781 FIXTURE/ THERMISTOR (M5)		
46	6024945 EARTH WIRE (M5)		
47	2051477 EARTH WIRE (M5)		
48	6025136 PRINTED CIRCUIT ASSY. (CONTROL) (M5)		
49	6024343 MOUNTING PLATE (TERMINAL PLATE) (M5)		
50	4013760 VARISTOR (M5)		
51	131316J FUSE (M5)		
52	153875J FUSE (M5)		
53	1839504 PAN HEAD TAPPING SCREW (M5)		
54	6023973 WIRE HARNESS (COMPRESSOR) (M5)		
55	7900041 FERRITE CORE (M5)		
56	622418J OVERLOAD PROTECTOR (M5)		
57	2149367 COIL/ ELECTRONIC EXP. VALVE (M5)		
58	6023975 REACTOR (M5)		
59	6024932 DC FAN MOTOR (M5)		
60	6024340 MOUNTING PLATE (HEAT SINK) (M5)		



Picture Key	
Ref #	Picture #
1	A1
2	A10
3	A11
4	A12
5	A2
6	A3
7	A4
8	A5
9	A6
10	B1
11	B11
12	B1-1
13	B1-2
14	B19
15	B2
16	B20
16	B2-1
17	B2-1-1
18	B2-1-2
19	B2-2
20	B2-3
21	B2-4
22	B2-4-1
23	B2-5
24	B2-6
25	B2-7
26	B3
27	B3-1
28	B3-2
29	B3-3
30	B3-5
31	B3-7
32	B4
33	B5
34	B6
35	B7
36	B9
37	C1
38	C2
39	C4
40	E1
41	E10
42	E11
43	E12
44	E15
45	E16
46	E17
47	E18
48	E19
49	E2
50	E20
51	E2-1
52	E2-2
53	E2-3
54	E24
55	E25
56	E25-1
57	E27
58	E28
59	E29
60	E30
61	E5
62	E6
63	E7
64	E8
65	F1
66	F10
67	F11
68	F12
69	F13
70	F14
71	F15
72	F16
73	F17
74	F2
75	F21
76	F22
77	F23
78	F3
79	F4
80	F5
81	F6
82	F7
83	F9
84	K1

Ref. Part No: No:	Description:	Ref. Part No: No:	Description:																
<b>Image 1:</b>		<b>Image 1:</b>																	
1	6024928 COMPRESSOR ASSY. (M6)	61	6024340 MOUNTING PLATE (HEAT SINK) (M6)																
2	6024344 SOUND INSULATION (OUTER TRUNK) (M6)	62	6024341 LOCKING CARD SPACER (M6)																
3	6024336 SOUND INSULATION (INNER TRUNK) (M6)	63	6024342 CARD SPACER (M6)																
4	6024337 SOUND INSULATION (TOP) (M6)	64	6023970 THERMISTOR ASSY. (M6)																
5	091532J RUBBER GROMMET (M6)	65	6024933 BOTTOM FRAME ASSY. (M6)																
6	135859J FLANGE NUT (M6)	66	6025117 PLATE/ RADIATION SHIELD (M6)																
7	1727788 TERMINAL COVER (M6)	67	6025118 PLATE/ CONDUIT MOUNTING (M6)																
8	040139J RUBBER BUSH/ LEAD WIRE (M6)	68	6025119 COVER (CONDUIT MOUNTING PLATE) (M6)																
9	380620J RETAINER/ OVER-LOAD PROTECTOR (M6)	69	140380J WASHER FACED HEAD TAPPING SCREW (M6)																
10	6024935 PLATE FINNED COIL HEAT EXCH. ASSY. (M6)	70	109224J HEX. HEAD TAPPING SCREW (M6)																
11	380120J FITTING SPRING/ THERMISTOR (M6)	71	008203J TRUSS HEAD TAPPING SCREW (M6)																
12	154401J MUFFLER (M6)	72	048017J PAN HEAD TAPPING SCREW (M6)																
13	7900057 PUTTY (M6)	73	6025120 TOP PLATE ASSY. (M6)																
14	7900036 REAR PLATE/ CONDENSER (M6)	74	6023980 SIDE PLATE (RIGHT) (M6)																
15	6025130 FOUR WAY VALVE ASSY. (M6)	75	NA CAUTION LABEL (ELECTRIC SHOCK) (M6)																
16	6024930 GAS STOP VALVE ASSY. (M6)	76	4011522 LABEL (M6)																
16	1754285 PUTTY (M6)	77	NA CAUTION LABEL (BURN) (M6)																
17	7900031 GAS STOP VALVE ASSY. (SUB) (M6)	78	6023981 SIDE PLATE (LEFT) (M6)																
18	1406207 MUFFLER (M6)	79	6024934 FRONT PLATE ASSY. (M6)																
19	1964138 BODY/ FOUR WAY VALVE (M6)	80	7900045 PARTITION PLATE (M6)																
20	NA SUCTION PIPE (M6)	81	6023988 SUPPORT PLATE/ FAN MOTOR (M6)																
21	7900033 DISCHARGE PIPE ASSY. (M6)	82	6025116 COVER/ STOP VALVE (M6)																
22	117029J MUFFLER (M6)	83	6016076 HANDLE (LEFT) (M6)																
23	6024338 PUTTY (M6)	84	NA BRAND NAME LABEL (M6)																
24	980754J VIBRATION ABSORBER/ REF. PIPING (M6)	<b>Expanded Model Nomenclature</b>																	
25	980761J WEIGHT CLIP (M6)	<table border="1"> <tr><td>M1 - RKN09NMVJU</td></tr> <tr><td>M2 - RKN12NMVJU</td></tr> <tr><td>M3 - RKN18NMVJU</td></tr> <tr><td>M4 - RKN24NMVJU</td></tr> <tr><td>M5 - RK09NMVJU</td></tr> <tr><td>M6 - RK12NMVJU</td></tr> <tr><td>M7 - RK18NMVJU</td></tr> <tr><td>M8 - RK24NMVJU</td></tr> <tr><td>M9 - RXN09NMVJU</td></tr> <tr><td>M10 - RXN12NMVJU</td></tr> <tr><td>M11 - RXN18NMVJU</td></tr> <tr><td>M12 - RXN24NMVJU</td></tr> <tr><td>M13 - RX09NMVJU</td></tr> <tr><td>M14 - RX12NMVJU</td></tr> <tr><td>M15 - RX18NMVJU</td></tr> <tr><td>M16 - RX24NMVJU</td></tr> </table>		M1 - RKN09NMVJU	M2 - RKN12NMVJU	M3 - RKN18NMVJU	M4 - RKN24NMVJU	M5 - RK09NMVJU	M6 - RK12NMVJU	M7 - RK18NMVJU	M8 - RK24NMVJU	M9 - RXN09NMVJU	M10 - RXN12NMVJU	M11 - RXN18NMVJU	M12 - RXN24NMVJU	M13 - RX09NMVJU	M14 - RX12NMVJU	M15 - RX18NMVJU	M16 - RX24NMVJU
M1 - RKN09NMVJU																			
M2 - RKN12NMVJU																			
M3 - RKN18NMVJU																			
M4 - RKN24NMVJU																			
M5 - RK09NMVJU																			
M6 - RK12NMVJU																			
M7 - RK18NMVJU																			
M8 - RK24NMVJU																			
M9 - RXN09NMVJU																			
M10 - RXN12NMVJU																			
M11 - RXN18NMVJU																			
M12 - RXN24NMVJU																			
M13 - RX09NMVJU																			
M14 - RX12NMVJU																			
M15 - RX18NMVJU																			
M16 - RX24NMVJU																			
26	6025131 ELECTRONIC EXP. VALVE ASSY. (M6)																		
27	7900035 LIQUID STOP VALVE ASSY. (M6)																		
28	1980882 BODY/ ELECTRONIC EXP. VALVE (M6)																		
29	138233J MUFFLER (M6)																		
30	138349J PUTTY (M6)																		
31	159396J PUTTY (M6)																		
32	6023978 SET PLATE/ STOP VALVE (M6)																		
33	2158703 CAP/ STOP VALVE (M6)																		
34	1753314 VALVE CAP (M6)																		
35	1723546 FLARE NUT (M6)																		
36	119848J FLARE NUT (M6)																		
37	6023976 FAN ROTOR (M6)																		
38	847002J FAN RETAINING NUT (M6)																		
39	6024931 DISCHARGE GRILLE ASSY. (M6)																		
40	6024339 SWITCH BOX (M6)																		
41	080611J MACHINE SCREW WITH WASHER (M6)																		
42	109688J TRUSS HEAD TAPPING SCREW (M6)																		
43	113783J TAPPING SCREW (M6)																		
44	156720J TERMINAL BLOCK (M6)																		
45	128511J FIXTURE/ THERMISTOR (M6)																		
46	1728781 FIXTURE/ THERMISTOR (M6)																		
47	6024945 EARTH WIRE (M6)																		
48	2051477 EARTH WIRE (M6)																		
49	6025141 PRINTED CIRCUIT ASSY. (CONTROL) (M6)																		
50	6024343 MOUNTING PLATE (TERMINAL PLATE) (M6)																		
51	4013760 VARISTOR (M6)																		
52	131316J FUSE (M6)																		
53	153875J FUSE (M6)																		
54	1839504 PAN HEAD TAPPING SCREW (M6)																		
55	6023973 WIRE HARNESS (COMPRESSOR) (M6)																		
56	7900041 FERRITE CORE (M6)																		
57	622418J OVERLOAD PROTECTOR (M6)																		
58	2149367 COIL/ ELECTRONIC EXP. VALVE (M6)																		
59	6023975 REACTOR (M6)																		
60	6024932 DC FAN MOTOR (M6)																		

— TOP —

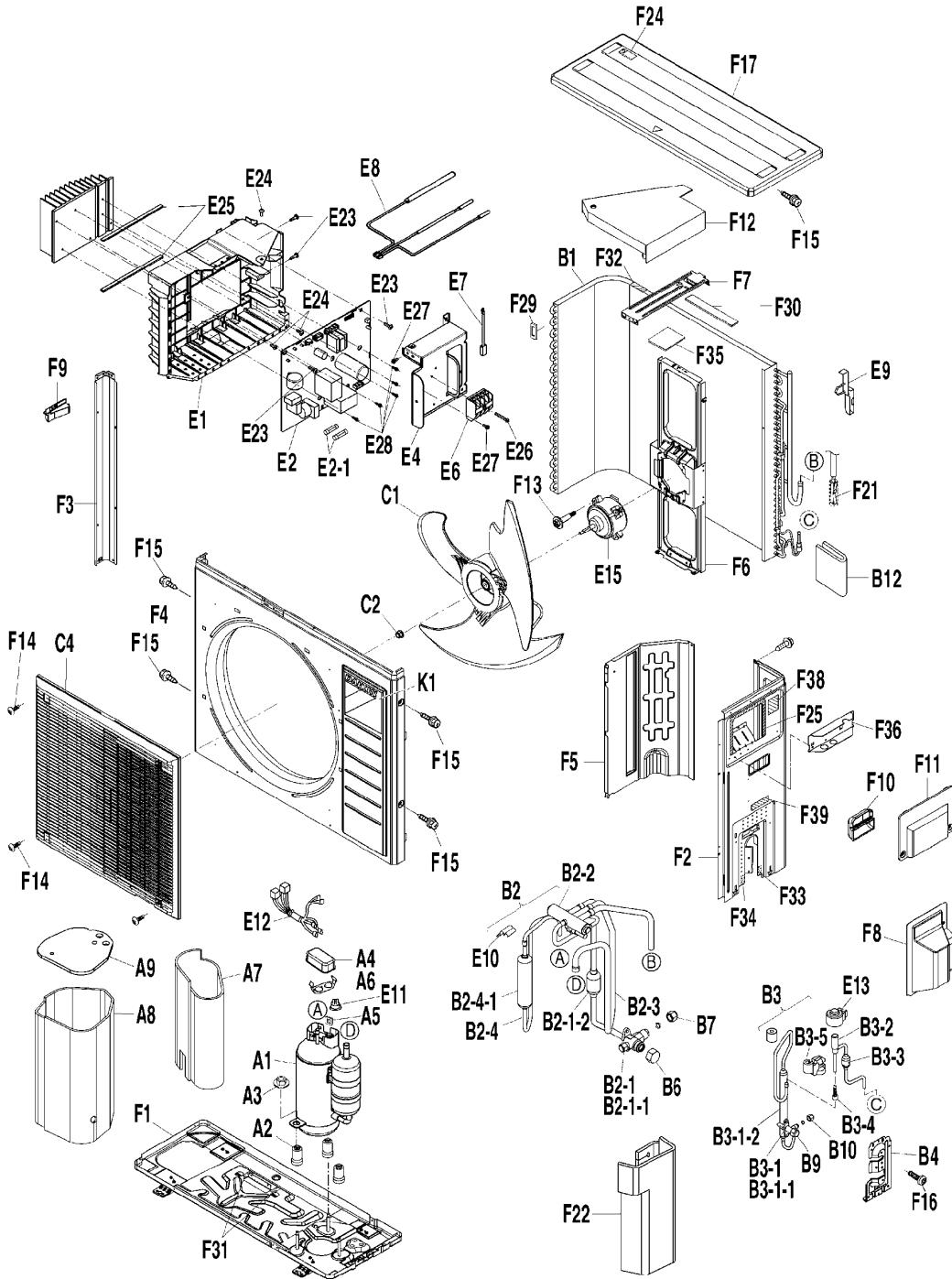


Picture Key	
Ref #	Picture #
1	A1
2	A2
3	A3
4	A4
5	A5
6	A6
7	A7
8	A8
9	A9
10	B1
11	B10
12	B12
13	B2
14	B2-1
15	B2-1-1
16	B2-1-2
16	B2-2
17	B2-3
18	B2-4
19	B2-4-1
20	B3
21	B3-1
22	B3-1-1
23	B3-1-2
24	B3-2
25	B3-3
26	B3-4
27	B3-5
28	B4
29	B6
30	B7
31	B9
32	C1
33	C2
34	C4
35	E1
36	E10
37	E11
38	E12
39	E13
40	E15
41	E2
42	E2-1
43	E23
44	E24
45	E25
46	E26
47	E27
48	E28
49	E4
50	E6
51	E7
52	E8
53	E9
54	F1
55	F10
56	F11
57	F12
58	F13
59	F14
60	F15
61	F16
62	F17
63	F2
64	F21
65	F22
66	F24
67	F25
68	F29
69	F3
70	F30
71	F31
72	F32
73	F33
74	F34
75	F35
76	F36
77	F38
78	F39
79	F4
80	F5
81	F6
82	F7
83	F8
84	F9
85	K1



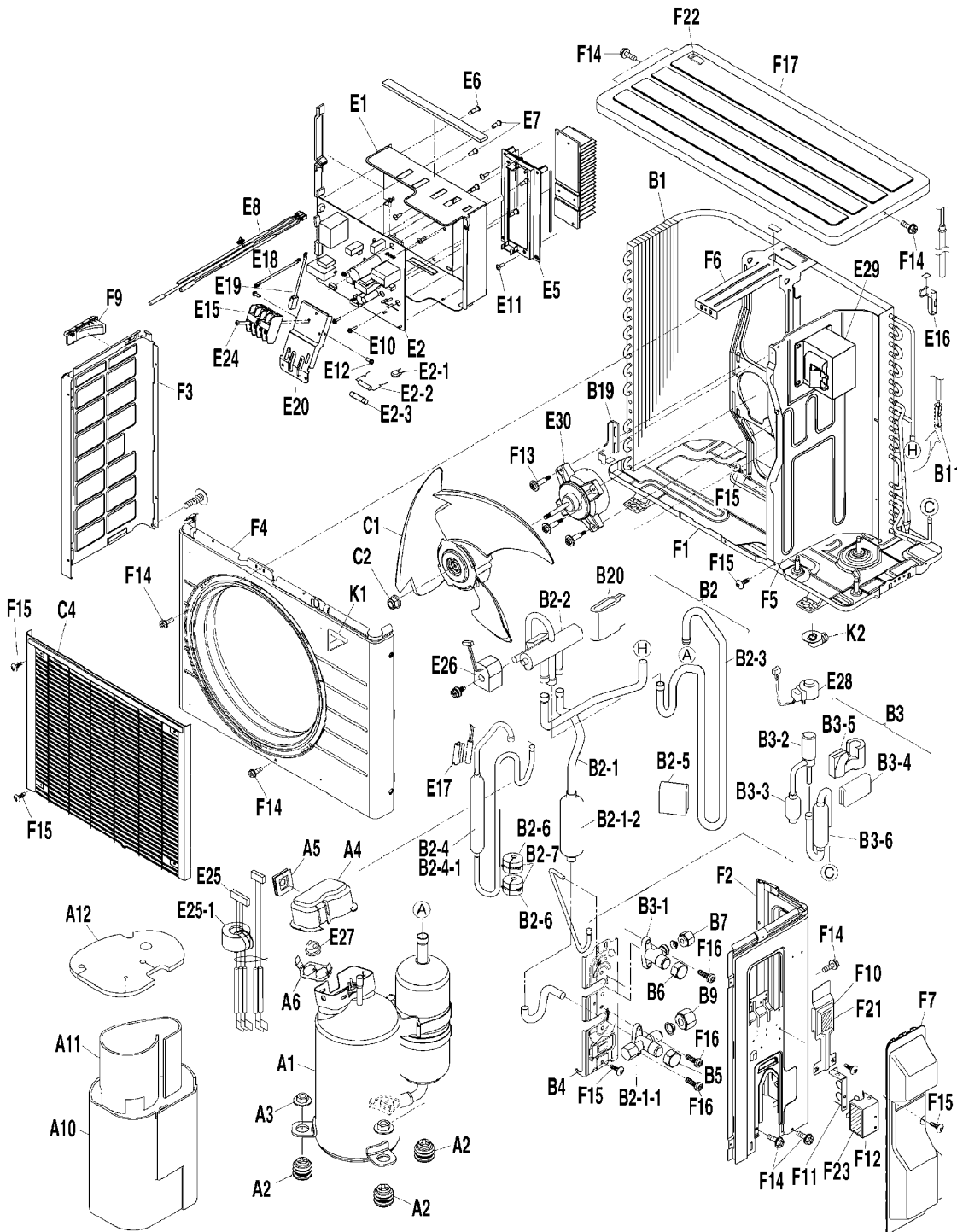
Ref. Part No: No:	Description:	Ref. Part No: No:	Description:																
<b>Image 1:</b>		<b>Image 1:</b>																	
1	6024936 COMPRESSOR ASSY. (M7)	61	048017J PAN HEAD TAPPING SCREW (M7)																
2	128989J RUBBER GROMMET (M7)	62	6022834 TOP PLATE (M7)																
3	135859J FLANGE NUT (M7)	63	6022707 SIDE PLATE (RIGHT) (M7)																
4	1727788 TERMINAL COVER (M7)	64	380120J FITTING SPRING/ THERMISTOR (M7)																
5	040139J RUBBER BUSH/ LEAD WIRE (M7)	65	6025112 SOUND INSULATION (RV) (M7)																
6	380620J RETAINER/ OVER-LOAD PROTECTOR (M7)	66	4011522 LABEL (M7)																
7	6025086 SOUND INSULATION (INNER SLEEVE) (M7)	67	7900079 SEALING MATERIAL (M7)																
8	6023853 SOUND INSULATION (OUTER BODY) (M7)	68	7900083 SEALING MATERIAL (M7)																
9	6023854 SOUND INSULATION (TOP) (M7)	69	6022758 SIDE PLATE (LEFT) (M7)																
10	6025089 HEAT EXCHANGER ASSY. (M7)	70	7900084 CUSHION MATERIAL (FAN MOTOR STAND) (M7)																
11	1723546 FLARE NUT (M7)	71	7900085 CUSHION RUBBER (BOTTOM FRAME) (M7)																
12	NA PUTTY (M7)	72	NA SEALING MATERIAL (M7)																
13	6025126 FOUR WAY VALVE ASSY. (M7)	73	7900086 SEALING MATERIAL (M7)																
14	6024937 GAS STOP VALVE ASSY. (M7)	74	7900087 SEALING MATERIAL (M7)																
15	6024939 GAS STOP VALVE ASSY. (SUB) (M7)	75	2256032 CUSHION MATERIAL (CR FORM RUBBER) (M7)																
16	4009504 BODY/ FOUR WAY VALVE (M7)	76	6025102 CONDUIT MOUNTING PLATE (M7)																
16	170889J MUFFLER (M7)	77	NA CAUTION LABEL (ELECTRIC SHOCK) (M7)																
17	6025104 SUCTION PIPE (M7)	78	6019130 CAUTION LABEL (BURN) (M7)																
18	6025105 DISCHARGE PIPE ASSY. (M7)	79	6022706 FRONT PLATE (M7)																
19	152295J MUFFLER (M7)	80	6022760 PARTITION PLATE (M7)																
20	6025106 ELECTRONIC EXP. VALVE ASSY. (M7)	81	6022871 MOTOR BASE (M7)																
21	6025107 LIQUID RECEIVER ASSY. (M7)	82	6025100 FAN MOTOR STAND (M7)																
22	6025108 LIQUID STOP VALVE ASSY. (M7)	83	6022709 STOP VALVE COVER (M7)																
23	99S8402 LIQUID RECEIVER (M7)	84	6022835 HANDLE (M7)																
24	131004J BODY/ ELECTRONIC EXP. VALVE (M7)	85	NA BRAND NAME LABEL (M7)																
25	138233J MUFFLER (M7)	<b>Expanded Model Nomenclature</b>																	
26	111167J STRAINER (M7)	<table border="1"> <tr><td>M1 - RKN09NMVJU</td></tr> <tr><td>M2 - RKN12NMVJU</td></tr> <tr><td>M3 - RKN18NMVJU</td></tr> <tr><td>M4 - RKN24NMVJU</td></tr> <tr><td>M5 - RK09NMVJU</td></tr> <tr><td>M6 - RK12NMVJU</td></tr> <tr><td>M7 - RK18NMVJU</td></tr> <tr><td>M8 - RK24NMVJU</td></tr> <tr><td>M9 - RXN09NMVJU</td></tr> <tr><td>M10 - RXN12NMVJU</td></tr> <tr><td>M11 - RXN18NMVJU</td></tr> <tr><td>M12 - RXN24NMVJU</td></tr> <tr><td>M13 - RX09NMVJU</td></tr> <tr><td>M14 - RX12NMVJU</td></tr> <tr><td>M15 - RX18NMVJU</td></tr> <tr><td>M16 - RX24NMVJU</td></tr> </table>		M1 - RKN09NMVJU	M2 - RKN12NMVJU	M3 - RKN18NMVJU	M4 - RKN24NMVJU	M5 - RK09NMVJU	M6 - RK12NMVJU	M7 - RK18NMVJU	M8 - RK24NMVJU	M9 - RXN09NMVJU	M10 - RXN12NMVJU	M11 - RXN18NMVJU	M12 - RXN24NMVJU	M13 - RX09NMVJU	M14 - RX12NMVJU	M15 - RX18NMVJU	M16 - RX24NMVJU
M1 - RKN09NMVJU																			
M2 - RKN12NMVJU																			
M3 - RKN18NMVJU																			
M4 - RKN24NMVJU																			
M5 - RK09NMVJU																			
M6 - RK12NMVJU																			
M7 - RK18NMVJU																			
M8 - RK24NMVJU																			
M9 - RXN09NMVJU																			
M10 - RXN12NMVJU																			
M11 - RXN18NMVJU																			
M12 - RXN24NMVJU																			
M13 - RX09NMVJU																			
M14 - RX12NMVJU																			
M15 - RX18NMVJU																			
M16 - RX24NMVJU																			
27	137963J PUTTY (M7)																		
28	7900070 SET PLATE/ STOP VALVE (M7)																		
29	119849J FLARE NUT (M7)																		
30	6015411 VALVE CAP (M7)																		
31	1753314 VALVE CAP (M7)																		
32	6022761 FAN BLADE (M7)																		
33	847003J LOCK NUT/ FAN (M7)																		
34	6024941 DISCHARGE GRILLE ASSY. (M7)																		
35	6023857 EL. COMPO. MOUNTING PLATE (M7)																		
36	1728781 FIXTURE/ THERMISTOR (M7)																		
37	622418J OVERLOAD PROTECTOR (M7)																		
38	7900074 WIRE HARNESS (COMP) (M7)																		
39	6022924 COIL/ ELECTRONIC EXP. VALVE (M7)																		
40	6024942 DC FAN MOTOR (M7)																		
41	6025142 PRINTED CIRCUIT ASSY. (CONTROL) (M7)																		
42	153875J FUSE (M7)																		
43	121650J TRUSS HEAD TAPPING SCREW (M7)																		
44	109688J TRUSS HEAD TAPPING SCREW (M7)																		
45	NA SEALING MATERIAL (M7)																		
46	1839504 PAN HEAD TAPPING SCREW (M7)																		
47	113783J TAPPING SCREW (M7)																		
48	131073J PAN HEAD MACHINE SCREW (M7)																		
49	6023858 MOUNTING PLATE (TERMINAL STRIP) (M7)																		
50	156720J TERMINAL BLOCK (M7)																		
51	2051477 EARTH WIRE (M7)																		
52	6025111 THERMISTOR ASSY. (M7)																		
53	128511J FIXTURE/ THERMISTOR (M7)																		
54	6024943 BOTTOM FRAME ASSY. (M7)																		
55	1885709 HANDLE (M7)																		
56	6025101 TERMINAL STRIP COVER (M7)																		
57	6022865 DRIP PROOF COVER (M7)																		
58	140380J WASHER FACED HEAD TAPPING SCREW (M7)																		
59	008203J TRUSS HEAD TAPPING SCREW (M7)																		
60	109224J HEX. HEAD TAPPING SCREW (M7)																		

— TOP —



Picture Key	
Ref #	Picture #
1	A1
2	A2
3	A3
4	A4
5	A5
6	A6
7	A7
8	A8
9	A9
10	B1
11	B10
12	B12
13	B2
14	B2-1
15	B2-1-1
16	B2-1-2
16	B2-2
17	B2-3
18	B2-4
19	B2-4-1
20	B3
21	B3-1
22	B3-1-1
23	B3-1-2
24	B3-2
25	B3-3
26	B3-4
27	B3-5
28	B4
29	B6
30	B7
31	B9
32	C1
33	C2
34	C4
35	E1
36	E10
37	E11
38	E12
39	E13
40	E15
41	E2
42	E2-1
43	E23
44	E24
45	E25
46	E26
47	E27
48	E28
49	E4
50	E6
51	E7
52	E8
53	E9
54	F1
55	F10
56	F11
57	F12
58	F13
59	F14
60	F15
61	F16
62	F17
63	F2
64	F21
65	F22
66	F24
67	F25
68	F29
69	F3
70	F30
71	F31
72	F32
73	F33
74	F34
75	F35
76	F36
77	F38
78	F39
79	F4
80	F5
81	F6
82	F7
83	F8
84	F9
85	K1

Ref. Part No: No:	Description:	Ref. Part No: No:	Description:																
<b>Image 1:</b>		<b>Image 1:</b>																	
1	6024936 COMPRESSOR ASSY. (M8)	61	048017J PAN HEAD TAPPING SCREW (M8)																
2	128989J RUBBER GROMMET (M8)	62	6022834 TOP PLATE (M8)																
3	135859J FLANGE NUT (M8)	63	6022707 SIDE PLATE (RIGHT) (M8)																
4	1727788 TERMINAL COVER (M8)	64	380120J FITTING SPRING/ THERMISTOR (M8)																
5	040139J RUBBER BUSH/ LEAD WIRE (M8)	65	6025112 SOUND INSULATION (RV) (M8)																
6	380620J RETAINER/ OVER-LOAD PROTECTOR (M8)	66	4011522 LABEL (M8)																
7	6025086 SOUND INSULATION (INNER SLEEVE) (M8)	67	7900079 SEALING MATERIAL (M8)																
8	6023853 SOUND INSULATION (OUTER BODY) (M8)	68	7900083 SEALING MATERIAL (M8)																
9	6023854 SOUND INSULATION (TOP) (M8)	69	6022758 SIDE PLATE (LEFT) (M8)																
10	6025121 HEAT EXCHANGER ASSY. (M8)	70	7900084 CUSHION MATERIAL (FAN MOTOR STAND) (M8)																
11	1723546 FLARE NUT (M8)	71	7900085 CUSHION RUBBER (BOTTOM FRAME) (M8)																
12	NA PUTTY (M8)	72	6002549 SEALING MATERIAL (M8)																
13	6025103 FOUR WAY VALVE ASSY. (M8)	73	7900086 SEALING MATERIAL (M8)																
14	6024938 GAS STOP VALVE ASSY. (M8)	74	7900087 SEALING MATERIAL (M8)																
15	6024940 GAS STOP VALVE ASSY. (SUB) (M8)	75	2256032 CUSHION MATERIAL (CR FORM RUBBER) (M8)																
16	4009504 BODY/ FOUR WAY VALVE (M8)	76	6025102 CONDUIT MOUNTING PLATE (M8)																
16	170889J MUFFLER (M8)	77	NA CAUTION LABEL (ELECTRIC SHOCK) (M8)																
17	6025104 SUCTION PIPE (M8)	78	6019130 CAUTION LABEL (BURN) (M8)																
18	6025105 DISCHARGE PIPE ASSY. (M8)	79	6022706 FRONT PLATE (M8)																
19	152295J MUFFLER (M8)	80	6022760 PARTITION PLATE (M8)																
20	6025122 ELECTRONIC EXP. VALVE ASSY. (M8)	81	6022871 MOTOR BASE (M8)																
21	6025123 LIQUID RECEIVER ASSY. (M8)	82	6022759 MOTOR BASE (M8)																
22	6025108 LIQUID STOP VALVE ASSY. (M8)	83	6022709 STOP VALVE COVER (M8)																
23	6025124 LIQUID RECEIVER (M8)	84	6022835 HANDLE (M8)																
24	131004J BODY/ ELECTRONIC EXP. VALVE (M8)	85	NA BRAND NAME LABEL (M8)																
25	138233J MUFFLER (M8)	<b>Expanded Model Nomenclature</b>																	
26	111167J STRAINER (M8)	<table border="1"> <tr><td>M1 - RKN09NMVJU</td></tr> <tr><td>M2 - RKN12NMVJU</td></tr> <tr><td>M3 - RKN18NMVJU</td></tr> <tr><td>M4 - RKN24NMVJU</td></tr> <tr><td>M5 - RK09NMVJU</td></tr> <tr><td>M6 - RK12NMVJU</td></tr> <tr><td>M7 - RK18NMVJU</td></tr> <tr><td>M8 - RK24NMVJU</td></tr> <tr><td>M9 - RXN09NMVJU</td></tr> <tr><td>M10 - RXN12NMVJU</td></tr> <tr><td>M11 - RXN18NMVJU</td></tr> <tr><td>M12 - RXN24NMVJU</td></tr> <tr><td>M13 - RX09NMVJU</td></tr> <tr><td>M14 - RX12NMVJU</td></tr> <tr><td>M15 - RX18NMVJU</td></tr> <tr><td>M16 - RX24NMVJU</td></tr> </table>		M1 - RKN09NMVJU	M2 - RKN12NMVJU	M3 - RKN18NMVJU	M4 - RKN24NMVJU	M5 - RK09NMVJU	M6 - RK12NMVJU	M7 - RK18NMVJU	M8 - RK24NMVJU	M9 - RXN09NMVJU	M10 - RXN12NMVJU	M11 - RXN18NMVJU	M12 - RXN24NMVJU	M13 - RX09NMVJU	M14 - RX12NMVJU	M15 - RX18NMVJU	M16 - RX24NMVJU
M1 - RKN09NMVJU																			
M2 - RKN12NMVJU																			
M3 - RKN18NMVJU																			
M4 - RKN24NMVJU																			
M5 - RK09NMVJU																			
M6 - RK12NMVJU																			
M7 - RK18NMVJU																			
M8 - RK24NMVJU																			
M9 - RXN09NMVJU																			
M10 - RXN12NMVJU																			
M11 - RXN18NMVJU																			
M12 - RXN24NMVJU																			
M13 - RX09NMVJU																			
M14 - RX12NMVJU																			
M15 - RX18NMVJU																			
M16 - RX24NMVJU																			
27	137963J PUTTY (M8)																		
28	6016077 MOUNTING PLATE/ STOP VALVE (M8)																		
29	119850J FLARE NUT (M8)																		
30	139571J VALVE CAP (M8)																		
31	1753314 VALVE CAP (M8)																		
32	6022761 FAN BLADE (M8)																		
33	847003J LOCK NUT/ FAN (M8)																		
34	6024941 DISCHARGE GRILLE ASSY. (M8)																		
35	6023857 EL. COMPO. MOUNTING PLATE (M8)																		
36	1728781 FIXTURE/ THERMISTOR (M8)																		
37	622418J OVERLOAD PROTECTOR (M8)																		
38	7900074 WIRE HARNESS (COMP) (M8)																		
39	6022924 COIL/ ELECTRONIC EXP. VALVE (M8)																		
40	6024942 DC FAN MOTOR (M8)																		
41	6025125 PRINTED CIRCUIT ASSY. (CONTROL) (M8)																		
42	153875J FUSE (M8)																		
43	121650J TRUSS HEAD TAPPING SCREW (M8)																		
44	109688J TRUSS HEAD TAPPING SCREW (M8)																		
45	NA SEALING MATERIAL (M8)																		
46	1839504 PAN HEAD TAPPING SCREW (M8)																		
47	113783J TAPPING SCREW (M8)																		
48	131073J PAN HEAD MACHINE SCREW (M8)																		
49	6023858 MOUNTING PLATE (TERMINAL STRIP) (M8)																		
50	156720J TERMINAL BLOCK (M8)																		
51	2051477 EARTH WIRE (M8)																		
52	6025111 THERMISTOR ASSY. (M8)																		
53	128511J FIXTURE/ THERMISTOR (M8)																		
54	6024943 BOTTOM FRAME ASSY. (M8)																		
55	1885709 HANDLE (M8)																		
56	6025101 TERMINAL STRIP COVER (M8)																		
57	6022865 DRIP PROOF COVER (M8)																		
58	140380J WASHER FACED HEAD TAPPING SCREW (M8)																		
59	008203J TRUSS HEAD TAPPING SCREW (M8)																		
60	109224J HEX. HEAD TAPPING SCREW (M8)																		



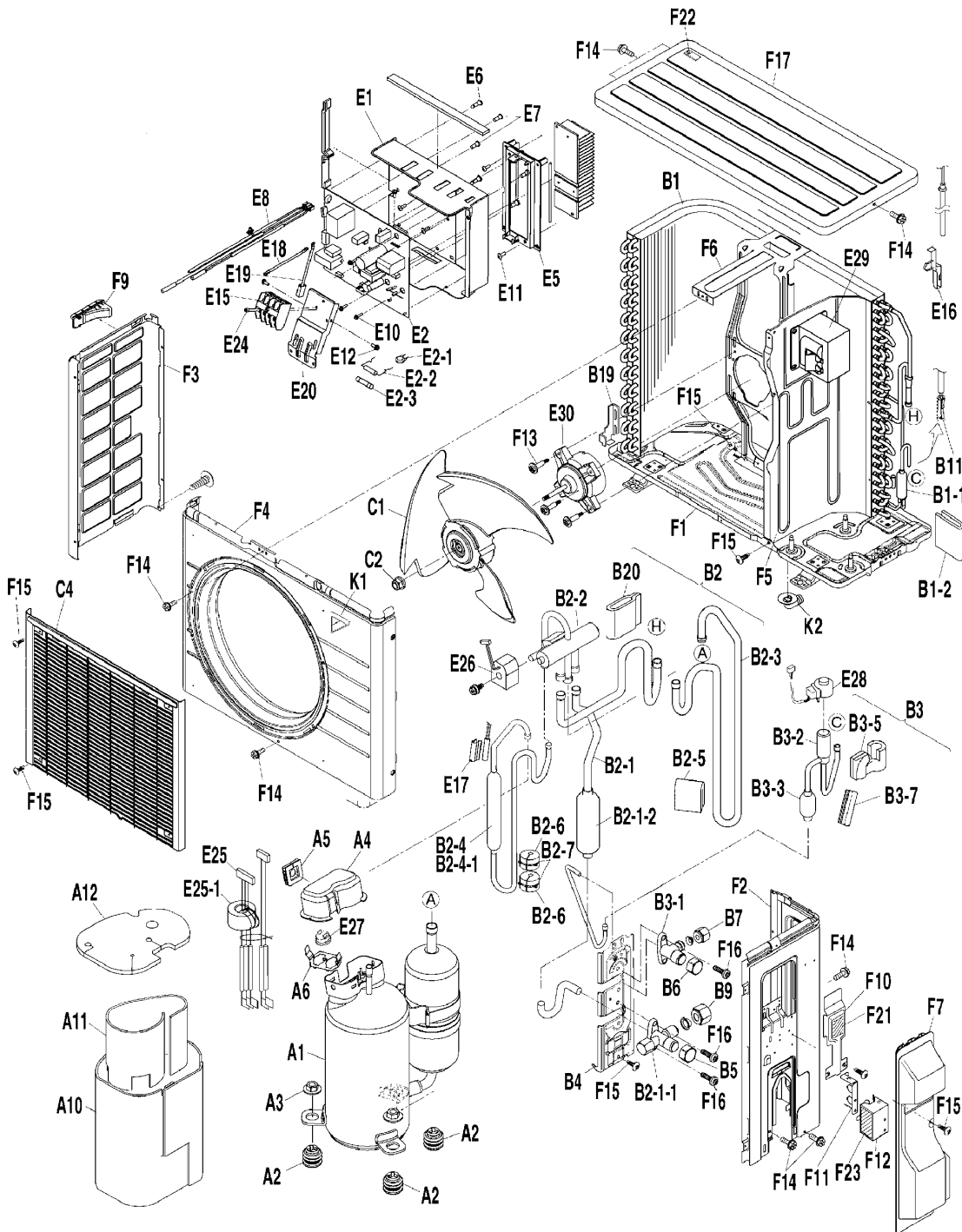
Picture Key

Ref #	Picture #
1	A1
2	A10
3	A11
4	A12
5	A2
6	A3
7	A4
8	A5
9	A6
10	B1
11	B11
12	B19
13	B2
14	B20
15	B2-1
16	B2-1-1
16	B2-1-2
17	B2-2
18	B2-3
19	B2-4
20	B2-4-1
21	B2-5
22	B2-6
23	B2-7
24	B3
25	B3-1
26	B3-2
27	B3-3
28	B3-4
29	B3-5
30	B3-6
31	B4
32	B5
33	B6
34	B7
35	B9
36	C1
37	C2
38	C4
39	E1
40	E10
41	E11
42	E12
43	E15
44	E16
45	E17
46	E18
47	E19
48	E2
49	E20
50	E2-1
51	E2-2
52	E2-3
53	E24
54	E25
55	E25-1
56	E26
57	E27
58	E28
59	E29
60	E30
61	E5
62	E6
63	E7
64	E8
65	F1
66	F10
67	F11
68	F12
69	F13
70	F14
71	F15
72	F16
73	F17
74	F2
75	F21
76	F22
77	F23
78	F3
79	F4
80	F5
81	F6
82	F7
83	F9
84	K1
85	K2

Ref. Part No: No:	Description:	Ref. Part No: No:	Description:																
<b>Image 1:</b>		<b>Image 1:</b>																	
1	6024928 COMPRESSOR ASSY. (M9)	61	6024340 MOUNTING PLATE (HEAT SINK) (M9)																
2	2222635 SOUND INSULATION (OUTER TRUNK) (M9)	62	6024341 LOCKING CARD SPACER (M9)																
3	6024336 SOUND INSULATION (INNER TRUNK) (M9)	63	6024342 CARD SPACER (M9)																
4	6024337 SOUND INSULATION (TOP) (M9)	64	6023970 THERMISTOR ASSY. (M9)																
5	091532J RUBBER GROMMET (M9)	65	6024933 BOTTOM FRAME ASSY. (M9)																
6	135859J FLANGE NUT (M9)	66	6025117 PLATE/ RADIATION SHIELD (M9)																
7	1727788 TERMINAL COVER (M9)	67	6025118 PLATE/ CONDUIT MOUNTING (M9)																
8	040139J RUBBER BUSH/ LEAD WIRE (M9)	68	6025119 COVER (CONDUIT MOUNTING PLATE) (M9)																
9	380620J RETAINER/ OVER-LOAD PROTECTOR (M9)	69	140380J WASHER FACED HEAD TAPPING SCREW (M9)																
10	6024929 PLATE FINNED COIL HEAT EXCH. ASSY. (M9)	70	109224J HEX. HEAD TAPPING SCREW (M9)																
11	380120J FITTING SPRING/ THERMISTOR (M9)	71	008203J TRUSS HEAD TAPPING SCREW (M9)																
12	7900036 REAR PLATE/ CONDENSER (M9)	72	048017J PAN HEAD TAPPING SCREW (M9)																
13	6025113 FOUR WAY VALVE ASSY. (M9)	73	6025120 TOP PLATE ASSY. (M9)																
14	1754285 PUTTY (M9)	74	6023980 SIDE PLATE (RIGHT) (M9)																
15	6024930 GAS STOP VALVE ASSY. (M9)	75	NA CAUTION LABEL (ELECTRIC SHOCK) (M9)																
16	7900031 GAS STOP VALVE ASSY. (SUB) (M9)	76	4011522 LABEL (M9)																
16	1406207 MUFFLER (M9)	77	NA CAUTION LABEL (BURN) (M9)																
17	1964138 BODY/ FOUR WAY VALVE (M9)	78	6023981 SIDE PLATE (LEFT) (M9)																
18	NA SUCTION PIPE (M9)	79	6024934 FRONT PLATE ASSY. (M9)																
19	7900033 DISCHARGE PIPE ASSY. (M9)	80	7900045 PARTITION PLATE (M9)																
20	117029J MUFFLER (M9)	81	7900046 FAN MOTOR STAND ASSY. (M9)																
21	6024338 PUTTY (M9)	82	6025116 COVER/ STOP VALVE (M9)																
22	980754J VIBRATION ABSORBER/ REF. PIPING (M9)	83	6016076 HANDLE (LEFT) (M9)																
23	980761J WEIGHT CLIP (M9)	84	NA BRAND NAME LABEL (M9)																
24	6025114 ELECTRONIC EXP. VALVE ASSY. (M9)	85	135886J DRAIN JOINT (M9)																
25	7900035 LIQUID STOP VALVE ASSY. (M9)	<b>Expanded Model Nomenclature</b>																	
26	1980882 BODY/ ELECTRONIC EXP. VALVE (M9)	<table border="1"> <tr><td>M1 - RKN09NMVJU</td></tr> <tr><td>M2 - RKN12NMVJU</td></tr> <tr><td>M3 - RKN18NMVJU</td></tr> <tr><td>M4 - RKN24NMVJU</td></tr> <tr><td>M5 - RK09NMVJU</td></tr> <tr><td>M6 - RK12NMVJU</td></tr> <tr><td>M7 - RK18NMVJU</td></tr> <tr><td>M8 - RK24NMVJU</td></tr> <tr><td>M9 - RXN09NMVJU</td></tr> <tr><td>M10 - RXN12NMVJU</td></tr> <tr><td>M11 - RXN18NMVJU</td></tr> <tr><td>M12 - RXN24NMVJU</td></tr> <tr><td>M13 - RX09NMVJU</td></tr> <tr><td>M14 - RX12NMVJU</td></tr> <tr><td>M15 - RX18NMVJU</td></tr> <tr><td>M16 - RX24NMVJU</td></tr> </table>		M1 - RKN09NMVJU	M2 - RKN12NMVJU	M3 - RKN18NMVJU	M4 - RKN24NMVJU	M5 - RK09NMVJU	M6 - RK12NMVJU	M7 - RK18NMVJU	M8 - RK24NMVJU	M9 - RXN09NMVJU	M10 - RXN12NMVJU	M11 - RXN18NMVJU	M12 - RXN24NMVJU	M13 - RX09NMVJU	M14 - RX12NMVJU	M15 - RX18NMVJU	M16 - RX24NMVJU
M1 - RKN09NMVJU																			
M2 - RKN12NMVJU																			
M3 - RKN18NMVJU																			
M4 - RKN24NMVJU																			
M5 - RK09NMVJU																			
M6 - RK12NMVJU																			
M7 - RK18NMVJU																			
M8 - RK24NMVJU																			
M9 - RXN09NMVJU																			
M10 - RXN12NMVJU																			
M11 - RXN18NMVJU																			
M12 - RXN24NMVJU																			
M13 - RX09NMVJU																			
M14 - RX12NMVJU																			
M15 - RX18NMVJU																			
M16 - RX24NMVJU																			
27	138233J MUFFLER (M9)																		
28	1851908 PUTTY (M9)																		
29	138349J PUTTY (M9)																		
30	237007J REFRIGERANT FILTER (M9)																		
31	6023978 SET PLATE/ STOP VALVE (M9)																		
32	2158703 CAP/ STOP VALVE (M9)																		
33	1753314 VALVE CAP (M9)																		
34	1723546 FLARE NUT (M9)																		
35	119848J FLARE NUT (M9)																		
36	6023976 FAN ROTOR (M9)																		
37	847002J FAN RETAINING NUT (M9)																		
38	6024931 DISCHARGE GRILLE ASSY. (M9)																		
39	6024339 SWITCH BOX (M9)																		
40	080611J MACHINE SCREW WITH WASHER (M9)																		
41	109688J TRUSS HEAD TAPPING SCREW (M9)																		
42	113783J TAPPING SCREW (M9)																		
43	156720J TERMINAL BLOCK (M9)																		
44	128511J FIXTURE/ THERMISTOR (M9)																		
45	1728781 FIXTURE/ THERMISTOR (M9)																		
46	6024945 EARTH WIRE (M9)																		
47	2051477 EARTH WIRE (M9)																		
48	6025133 PRINTED CIRCUIT ASSY. (CONTROL) (M9)																		
49	6024343 MOUNTING PLATE (TERMINAL PLATE) (M9)																		
50	4013760 VARISTOR (M9)																		
51	131316J FUSE (M9)																		
52	153875J FUSE (M9)																		
53	1839504 PAN HEAD TAPPING SCREW (M9)																		
54	6023973 WIRE HARNESS (COMPRESSOR) (M9)																		
55	7900041 FERRITE CORE (M9)																		
56	6025134 FOUR WAY VALVE COIL ASSY. (M9)																		
57	622418J OVERLOAD PROTECTOR (M9)																		
58	2149367 COIL/ ELECTRONIC EXP. VALVE (M9)																		
59	6023975 REACTOR (M9)																		
60	6024932 DC FAN MOTOR (M9)																		

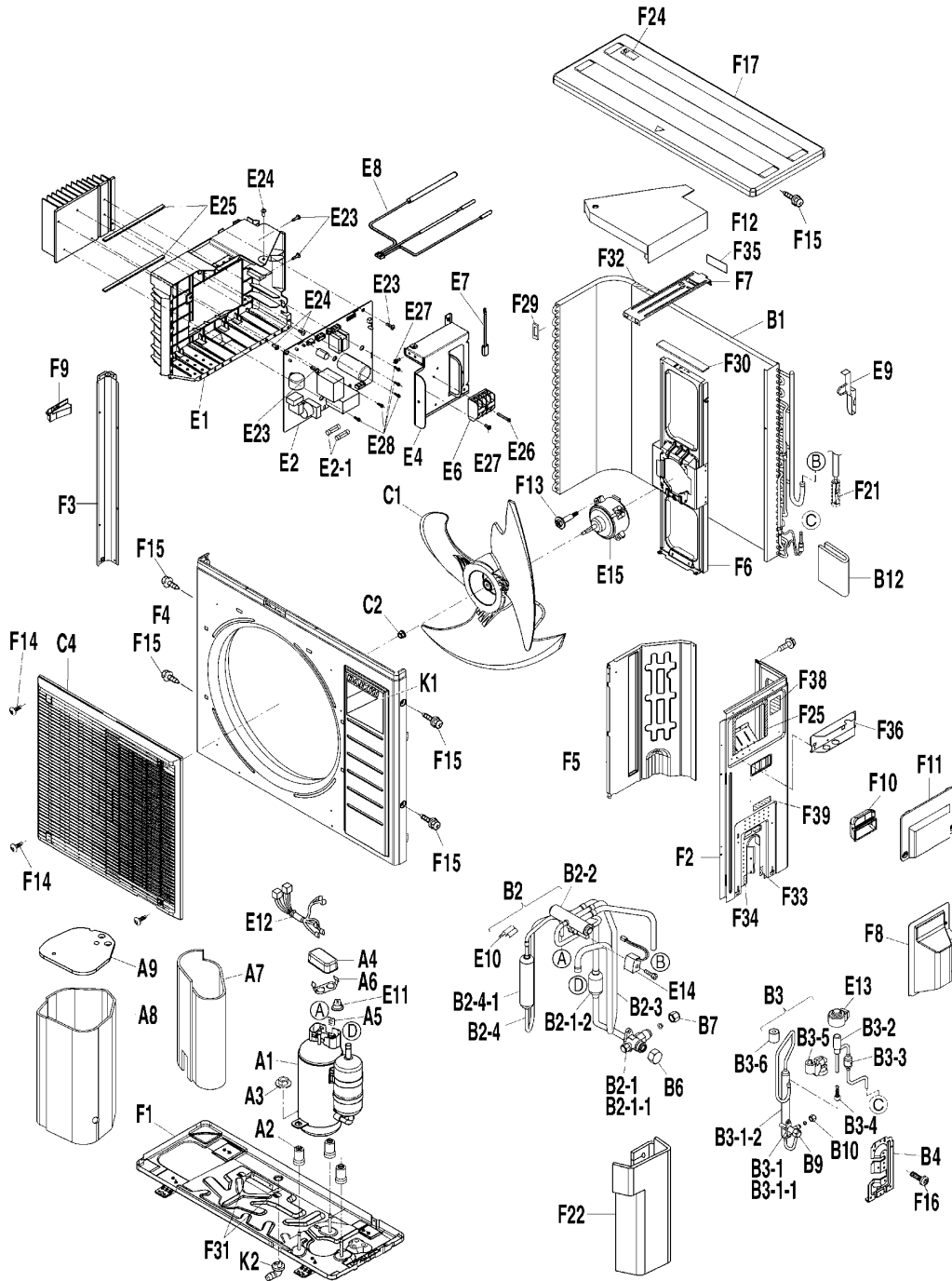
RXN12NMVJU

— TOP —



Picture Key	
Ref #	Picture #
1	A1
2	A10
3	A11
4	A12
5	A2
6	A3
7	A4
8	A5
9	A6
10	B1
11	B11
12	B1-1
13	B1-2
14	B19
15	B2
16	B20
16	B2-1
17	B2-1-1
18	B2-1-2
19	B2-2
20	B2-3
21	B2-4
22	B2-4-1
23	B2-5
24	B2-6
25	B2-7
26	B3
27	B3-1
28	B3-2
29	B3-3
30	B3-5
31	B3-7
32	B4
33	B5
34	B6
35	B7
36	B9
37	C1
38	C2
39	C4
40	E1
41	E10
42	E11
43	E12
44	E15
45	E16
46	E17
47	E18
48	E19
49	E2
50	E20
51	E2-1
52	E2-2
53	E2-3
54	E24
55	E25
56	E25-1
57	E26
58	E27
59	E28
60	E29
61	E30
62	E5
63	E6
64	E7
65	E8
66	F1
67	F10
68	F11
69	F12
70	F13
71	F14
72	F15
73	F16
74	F17
75	F2
76	F21
77	F22
78	F23
79	F3
80	F4
81	F5
82	F6
83	F7
84	F9
85	K1
86	K2

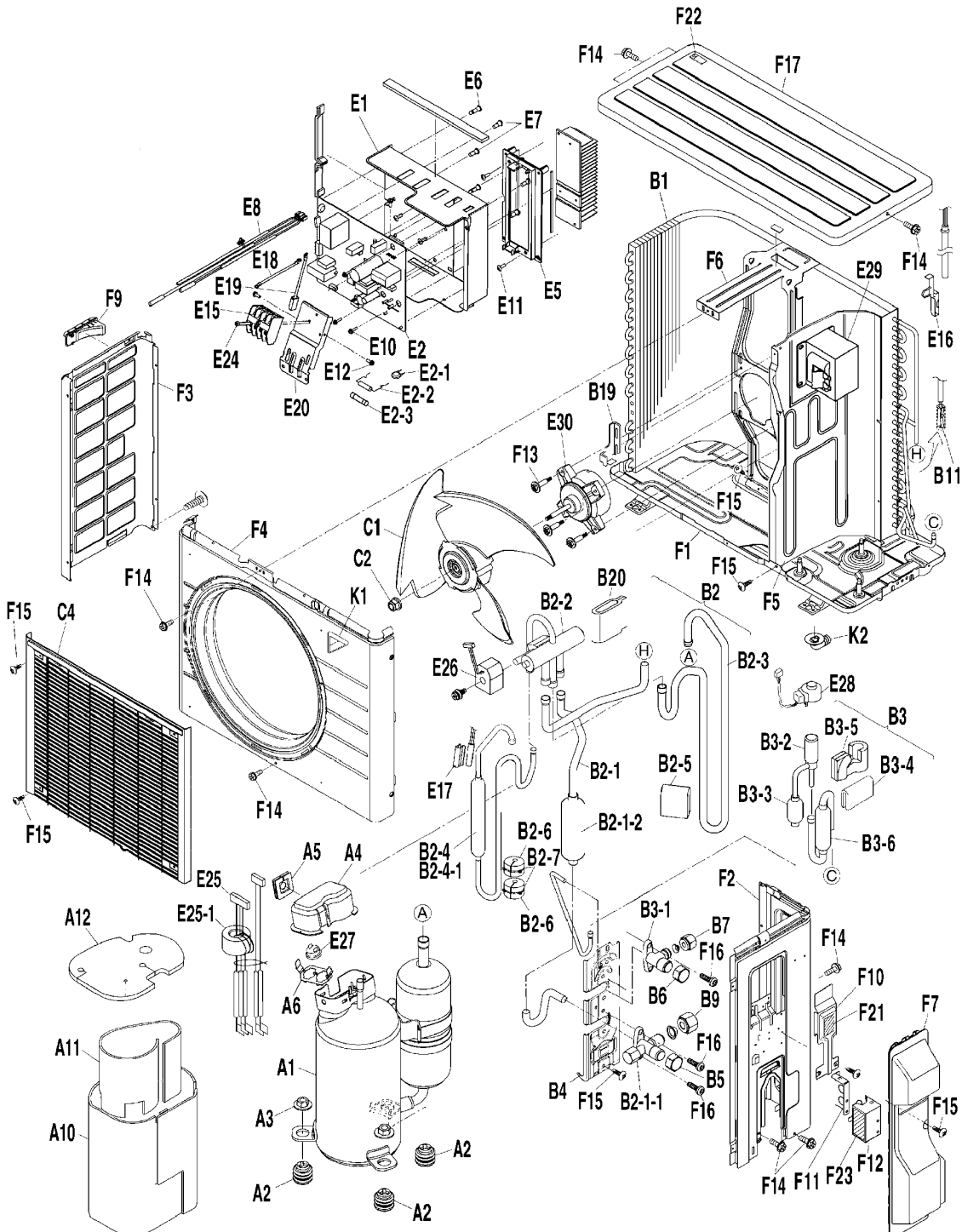
Ref. Part No: No:	Description:	Ref. Part No: No:	Description:																
<b>Image 1:</b>		<b>Image 1:</b>																	
1	6024928 COMPRESSOR ASSY. (M10)	61	6024932 DC FAN MOTOR (M10)																
2	6024344 SOUND INSULATION (OUTER TRUNK) (M10)	62	6024340 MOUNTING PLATE (HEAT SINK) (M10)																
3	6024336 SOUND INSULATION (INNER TRUNK) (M10)	63	6024341 LOCKING CARD SPACER (M10)																
4	6024337 SOUND INSULATION (TOP) (M10)	64	6024342 CARD SPACER (M10)																
5	091532J RUBBER GROMMET (M10)	65	6023970 THERMISTOR ASSY. (M10)																
6	135859J FLANGE NUT (M10)	66	6024933 BOTTOM FRAME ASSY. (M10)																
7	1727788 TERMINAL COVER (M10)	67	6025117 PLATE/ RADIATION SHIELD (M10)																
8	040139J RUBBER BUSH/ LEAD WIRE (M10)	68	6025118 PLATE/ CONDUIT MOUNTING (M10)																
9	380620J RETAINER/ OVER-LOAD PROTECTOR (M10)	69	6025119 COVER (CONDUIT MOUNTING PLATE) (M10)																
10	6024935 PLATE FINNED COIL HEAT EXCH. ASSY. (M10)	70	140380J WASHER FACED HEAD TAPPING SCREW (M10)																
11	380120J FITTING SPRING/ THERMISTOR (M10)	71	109224J HEX. HEAD TAPPING SCREW (M10)																
12	154401J MUFFLER (M10)	72	008203J TRUSS HEAD TAPPING SCREW (M10)																
13	7900057 PUTTY (M10)	73	048017J PAN HEAD TAPPING SCREW (M10)																
14	7900036 REAR PLATE/ CONDENSER (M10)	74	6025120 TOP PLATE ASSY. (M10)																
15	6025130 FOUR WAY VALVE ASSY. (M10)	75	6023980 SIDE PLATE (RIGHT) (M10)																
16	6024930 GAS STOP VALVE ASSY. (M10)	76	NA CAUTION LABEL (ELECTRIC SHOCK) (M10)																
16	1754285 PUTTY (M10)	77	4011522 LABEL (M10)																
17	7900031 GAS STOP VALVE ASSY. (SUB) (M10)	78	NA CAUTION LABEL (BURN) (M10)																
18	1406207 MUFFLER (M10)	79	6023981 SIDE PLATE (LEFT) (M10)																
19	1964138 BODY/ FOUR WAY VALVE (M10)	80	6024934 FRONT PLATE ASSY. (M10)																
20	NA SUCTION PIPE (M10)	81	7900045 PARTITION PLATE (M10)																
21	7900033 DISCHARGE PIPE ASSY. (M10)	82	6023988 SUPPORT PLATE/ FAN MOTOR (M10)																
22	117029J MUFFLER (M10)	83	6025116 COVER/ STOP VALVE (M10)																
23	6024338 PUTTY (M10)	84	6016076 HANDLE (LEFT) (M10)																
24	980754J VIBRATION ABSORBER/ REF. PIPING (M10)	85	NA BRAND NAME LABEL (M10)																
25	980761J WEIGHT CLIP (M10)	86	135886J DRAIN JOINT (M10)																
26	6025131 ELECTRONIC EXP. VALVE ASSY. (M10)	<b>Expanded Model Nomenclature</b>																	
27	7900035 LIQUID STOP VALVE ASSY. (M10)	<table border="1"> <tr><td>M1 - RKN09NMVJU</td></tr> <tr><td>M2 - RKN12NMVJU</td></tr> <tr><td>M3 - RKN18NMVJU</td></tr> <tr><td>M4 - RKN24NMVJU</td></tr> <tr><td>M5 - RK09NMVJU</td></tr> <tr><td>M6 - RK12NMVJU</td></tr> <tr><td>M7 - RK18NMVJU</td></tr> <tr><td>M8 - RK24NMVJU</td></tr> <tr><td>M9 - RXN09NMVJU</td></tr> <tr><td>M10 - RXN12NMVJU</td></tr> <tr><td>M11 - RXN18NMVJU</td></tr> <tr><td>M12 - RXN24NMVJU</td></tr> <tr><td>M13 - RX09NMVJU</td></tr> <tr><td>M14 - RX12NMVJU</td></tr> <tr><td>M15 - RX18NMVJU</td></tr> <tr><td>M16 - RX24NMVJU</td></tr> </table>		M1 - RKN09NMVJU	M2 - RKN12NMVJU	M3 - RKN18NMVJU	M4 - RKN24NMVJU	M5 - RK09NMVJU	M6 - RK12NMVJU	M7 - RK18NMVJU	M8 - RK24NMVJU	M9 - RXN09NMVJU	M10 - RXN12NMVJU	M11 - RXN18NMVJU	M12 - RXN24NMVJU	M13 - RX09NMVJU	M14 - RX12NMVJU	M15 - RX18NMVJU	M16 - RX24NMVJU
M1 - RKN09NMVJU																			
M2 - RKN12NMVJU																			
M3 - RKN18NMVJU																			
M4 - RKN24NMVJU																			
M5 - RK09NMVJU																			
M6 - RK12NMVJU																			
M7 - RK18NMVJU																			
M8 - RK24NMVJU																			
M9 - RXN09NMVJU																			
M10 - RXN12NMVJU																			
M11 - RXN18NMVJU																			
M12 - RXN24NMVJU																			
M13 - RX09NMVJU																			
M14 - RX12NMVJU																			
M15 - RX18NMVJU																			
M16 - RX24NMVJU																			
28	1980882 BODY/ ELECTRONIC EXP. VALVE (M10)																		
29	138233J MUFFLER (M10)																		
30	138349J PUTTY (M10)																		
31	159396J PUTTY (M10)																		
32	6023978 SET PLATE/ STOP VALVE (M10)																		
33	2158703 CAP/ STOP VALVE (M10)																		
34	1753314 VALVE CAP (M10)																		
35	1723546 FLARE NUT (M10)																		
36	119848J FLARE NUT (M10)																		
37	6023976 FAN ROTOR (M10)																		
38	847002J FAN RETAINING NUT (M10)																		
39	6024931 DISCHARGE GRILLE ASSY. (M10)																		
40	6024339 SWITCH BOX (M10)																		
41	080611J MACHINE SCREW WITH WASHER (M10)																		
42	109688J TRUSS HEAD TAPPING SCREW (M10)																		
43	113783J TAPPING SCREW (M10)																		
44	156720J TERMINAL BLOCK (M10)																		
45	128511J FIXTURE/ THERMISTOR (M10)																		
46	1728781 FIXTURE/ THERMISTOR (M10)																		
47	6024945 EARTH WIRE (M10)																		
48	2051477 EARTH WIRE (M10)																		
49	6025137 PRINTED CIRCUIT ASSY. (CONTROL) (M10)																		
50	6024343 MOUNTING PLATE (TERMINAL PLATE) (M10)																		
51	4013760 VARISTOR (M10)																		
52	131316J FUSE (M10)																		
53	153875J FUSE (M10)																		
54	1839504 PAN HEAD TAPPING SCREW (M10)																		
55	6023973 WIRE HARNESS (COMPRESSOR) (M10)																		
56	7900041 FERRITE CORE (M10)																		
57	6025134 FOUR WAY VALVE COIL ASSY. (M10)																		
58	622418J OVERLOAD PROTECTOR (M10)																		
59	2149367 COIL/ ELECTRONIC EXP. VALVE (M10)																		
60	6023975 REACTOR (M10)																		



Picture Key	
Ref #	Picture #
1	A1
2	A2
3	A3
4	A4
5	A5
6	A6
7	A7
8	A8
9	A9
10	B1
11	B10
12	B12
13	B2
13	B2
14	B2-1
15	B2-1-1
15	B2-1-1
16	B2-1-2
17	B2-2
18	B2-3
19	B2-4
20	B2-4-1
21	B3
22	B3-1
23	B3-1-1
24	B3-1-2
25	B3-2
26	B3-3
27	B3-4
28	B3-5
29	B3-6
30	B4
30	B4
31	B6
32	B7
32	B7
33	B9
34	C1
35	C2
36	C4
37	E1
38	E10
39	E11
40	E12
41	E13
42	E14
43	E15
44	E2
44	E2
45	E2-1
46	E23
47	E24
48	E25
49	E26
50	E27
51	E28
52	E4
53	E6
54	E7
55	E8
56	E9
57	F1
58	F10
59	F11
60	F12
61	F13
62	F14
63	F15
64	F16
65	F17
66	F2
67	F21
68	F22
69	F24
70	F25
71	F29
72	F3
73	F30
74	F31
75	F32
76	F33
77	F34
78	F35
79	F36
80	F38
81	F39
82	F4
83	F5
84	F6
85	F7
86	F8
87	F9
88	K1
89	K2



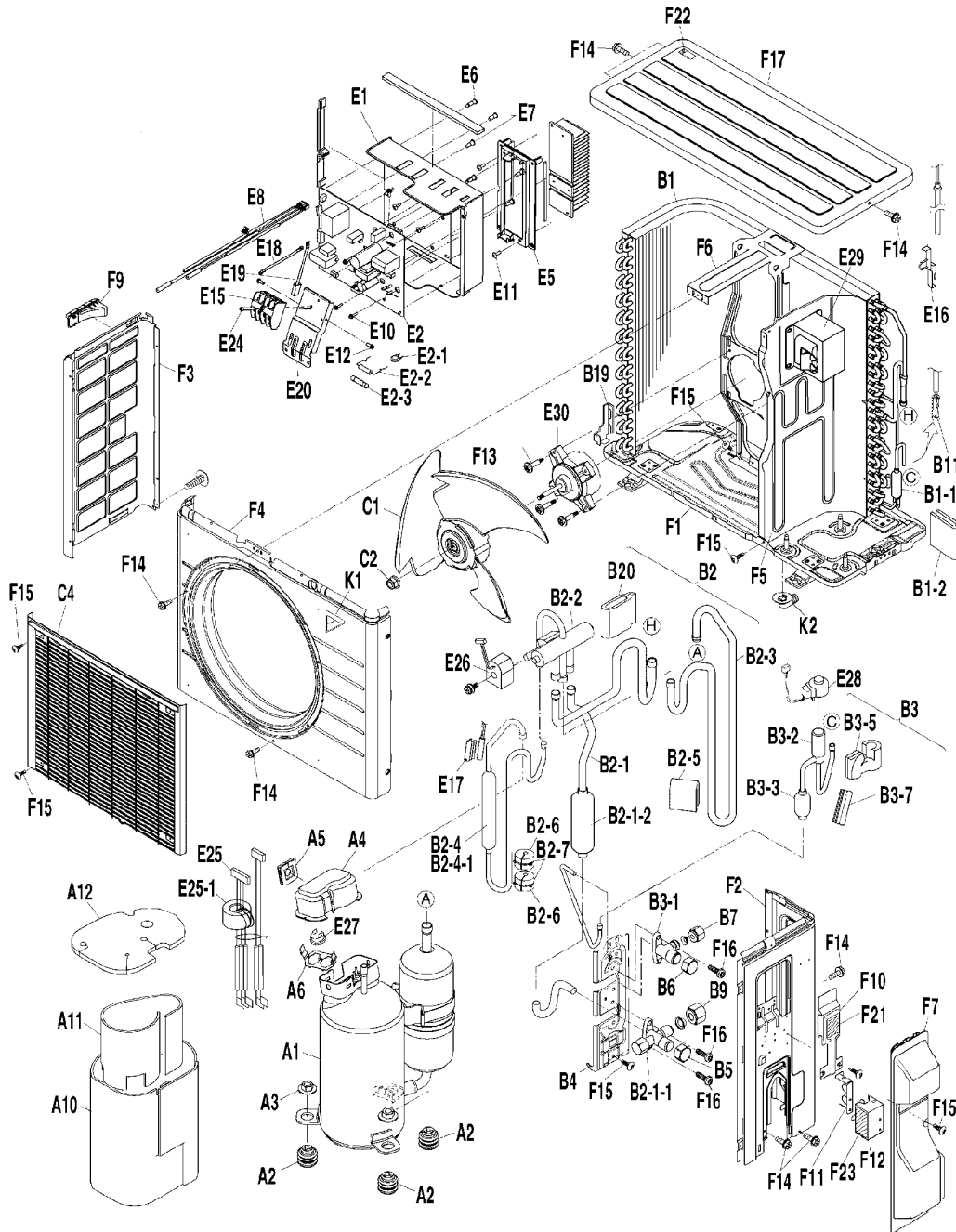
Ref. Part No: No:	Description:	Ref. Part No: No:	Description:																
<b>Image 1:</b>		<b>Image 1:</b>																	
1	6024936 COMPRESSOR ASSY. (M11, M12)	57	6024943 BOTTOM FRAME ASSY. (M11, M12)																
2	128989J RUBBER GROMMET (M11, M12)	58	1885709 HANDLE (M11, M12)																
3	135859J FLANGE NUT (M11, M12)	59	6025101 TERMINAL STRIP COVER (M11, M12)																
4	1727788 TERMINAL COVER (M11, M12)	60	6022865 DRIP PROOF COVER (M11, M12)																
5	040139J RUBBER BUSH/ LEAD WIRE (M11, M12)	61	140380J WASHER FACED HEAD TAPPING SCREW (M11, M12)																
6	380620J RETAINER/ OVER-LOAD PROTECTOR (M11, M12)	62	008203J TRUSS HEAD TAPPING SCREW (M11, M12)																
7	6025086 SOUND INSULATION (INNER SLEEVE) (M11, M12)	63	109224J HEX. HEAD TAPPING SCREW (M11, M12)																
8	6023853 SOUND INSULATION (OUTER BODY) (M11, M12)	64	048017J PAN HEAD TAPPING SCREW (M11, M12)																
9	6023854 SOUND INSULATION (TOP) (M11, M12)	65	6022834 TOP PLATE (M11, M12)																
10	6025089 HEAT EXCHANGER ASSY. (M11, M12)	66	6022707 SIDE PLATE (RIGHT) (M11, M12)																
11	1723546 FLARE NUT (M11, M12)	67	380120J FITTING SPRING/ THERMISTOR (M11, M12)																
12	NA PUTTY (M11, M12)	68	6025112 SOUND INSULATION (RV) (M11, M12)																
13	6025103 FOUR WAY VALVE ASSY. (M12)	69	4011522 LABEL (M11, M12)																
13	6025126 FOUR WAY VALVE ASSY. (M11, M12)	70	7900079 SEALING MATERIAL (M11)																
14	6024937 GAS STOP VALVE ASSY. (M11, M12)	71	7900083 SEALING MATERIAL (M11, M12)																
15	6024939 GAS STOP VALVE ASSY. (SUB) (M11)	72	6022758 SIDE PLATE (LEFT) (M11, M12)																
15	6024940 GAS STOP VALVE ASSY. (SUB) (M12)	73	7900084 CUSHION MATERIAL (FAN MOTOR STAND) (M11, M12)																
16	170889J MUFFLER (M11, M12)	74	7900085 CUSHION RUBBER (BOTTOM FRAME) (M11, M12)																
17	4009504 BODY/ FOUR WAY VALVE (M11, M12)	75	NA SEALING MATERIAL (M11, M12)																
18	6025104 SUCTION PIPE (M11, M12)	76	7900086 SEALING MATERIAL (M11, M12)																
19	6025105 DISCHARGE PIPE ASSY. (M11, M12)	77	7900087 SEALING MATERIAL (M11, M12)																
20	152295J MUFFLER (M11, M12)	78	2256032 CUSHION MATERIAL (CR FORM RUBBER) (M11, M12)																
21	6025106 ELECTRONIC EXP. VALVE ASSY. (M11, M12)	79	6025102 CONDUIT MOUNTING PLATE (M11)																
22	6025107 LIQUID RECEIVER ASSY. (M11, M12)	80	NA CAUTION LABEL (ELECTRIC SHOCK) (M11, M12)																
23	6025108 LIQUID STOP VALVE ASSY. (M11, M12)	81	6019130 CAUTION LABEL (BURN) (M11, M12)																
24	99S8402 LIQUID RECEIVER (M11, M12)	82	6022706 FRONT PLATE (M11, M12)																
25	131004J BODY/ ELECTRONIC EXP. VALVE (M11, M12)	83	6022760 PARTITION PLATE (M11, M12)																
26	138233J MUFFLER (M11, M12)	84	6022871 MOTOR BASE (M11, M12)																
27	111167J STRAINER (M11, M12)	85	6025100 FAN MOTOR STAND (M11, M12)																
28	137963J PUTTY (M11, M12)	86	6022709 STOP VALVE COVER (M11, M12)																
29	6025109 THERMAL INSULATION TUBE (M11, M12)	87	6022835 HANDLE (M11, M12)																
30	6016077 MOUNTING PLATE/ STOP VALVE (M12)	88	NA BRAND NAME LABEL (M11, M12)																
30	7900070 SET PLATE/ STOP VALVE (M11)	89	135886J DRAIN JOINT (M11, M12)																
31	119849J FLARE NUT (M11)	<b>Expanded Model Nomenclature</b>																	
32	139571J VALVE CAP (M12)	<table border="1"> <tr><td>M1 - RKN09NMVJU</td></tr> <tr><td>M2 - RKN12NMVJU</td></tr> <tr><td>M3 - RKN18NMVJU</td></tr> <tr><td>M4 - RKN24NMVJU</td></tr> <tr><td>M5 - RK09NMVJU</td></tr> <tr><td>M6 - RK12NMVJU</td></tr> <tr><td>M7 - RK18NMVJU</td></tr> <tr><td>M8 - RK24NMVJU</td></tr> <tr><td>M9 - RXN09NMVJU</td></tr> <tr><td>M10 - RXN12NMVJU</td></tr> <tr><td>M11 - RXN18NMVJU</td></tr> <tr><td>M12 - RXN24NMVJU</td></tr> <tr><td>M13 - RX09NMVJU</td></tr> <tr><td>M14 - RX12NMVJU</td></tr> <tr><td>M15 - RX18NMVJU</td></tr> <tr><td>M16 - RX24NMVJU</td></tr> </table>		M1 - RKN09NMVJU	M2 - RKN12NMVJU	M3 - RKN18NMVJU	M4 - RKN24NMVJU	M5 - RK09NMVJU	M6 - RK12NMVJU	M7 - RK18NMVJU	M8 - RK24NMVJU	M9 - RXN09NMVJU	M10 - RXN12NMVJU	M11 - RXN18NMVJU	M12 - RXN24NMVJU	M13 - RX09NMVJU	M14 - RX12NMVJU	M15 - RX18NMVJU	M16 - RX24NMVJU
M1 - RKN09NMVJU																			
M2 - RKN12NMVJU																			
M3 - RKN18NMVJU																			
M4 - RKN24NMVJU																			
M5 - RK09NMVJU																			
M6 - RK12NMVJU																			
M7 - RK18NMVJU																			
M8 - RK24NMVJU																			
M9 - RXN09NMVJU																			
M10 - RXN12NMVJU																			
M11 - RXN18NMVJU																			
M12 - RXN24NMVJU																			
M13 - RX09NMVJU																			
M14 - RX12NMVJU																			
M15 - RX18NMVJU																			
M16 - RX24NMVJU																			
32	6015411 VALVE CAP (M11)																		
33	1753314 VALVE CAP (M11, M12)																		
34	6022761 FAN BLADE (M11, M12)																		
35	847003J LOCK NUT/ FAN (M11, M12)																		
36	6024941 DISCHARGE GRILLE ASSY. (M11, M12)																		
37	6023857 EL. COMPO. MOUNTING PLATE (M11, M12)																		
38	1728781 FIXTURE/ THERMISTOR (M11, M12)																		
39	622418J OVERLOAD PROTECTOR (M11, M12)																		
40	7900074 WIRE HARNESS (COMP) (M11, M12)																		
41	6022924 COIL/ ELECTRONIC EXP. VALVE (M11, M12)																		
42	6025129 FOUR WAY VALVE COIL ASSY. (M11, M12)																		
43	6024942 DC FAN MOTOR (M11, M12)																		
44	6025127 PRINTED CIRCUIT ASSY. (CONTROL) (M11)																		
44	6025128 PRINTED CIRCUIT ASSY. (CONTROL) (M12)																		
45	153875J FUSE (M11, M12)																		
46	121650J TRUSS HEAD TAPPING SCREW (M11, M12)																		
47	109688J TRUSS HEAD TAPPING SCREW (M11, M12)																		
48	NA SEALING MATERIAL (M11, M12)																		
49	1839504 PAN HEAD TAPPING SCREW (M11, M12)																		
50	113783J TAPPING SCREW (M11, M12)																		
51	131073J PAN HEAD MACHINE SCREW (M11, M12)																		
52	6023858 MOUNTING PLATE (TERMINAL STRIP) (M11, M12)																		
53	156720J TERMINAL BLOCK (M11, M12)																		
54	2051477 EARTH WIRE (M11, M12)																		
55	6025111 THERMISTOR ASSY. (M11, M12)																		
56	128511J FIXTURE/ THERMISTOR (M11, M12)																		



Picture Key	
Ref #	Picture #
1	A1
2	A10
3	A11
4	A12
5	A2
6	A3
7	A4
8	A5
9	A6
10	B1
11	B11
12	B19
13	B2
14	B20
15	B2-1
16	B2-1-1
16	B2-1-2
17	B2-2
18	B2-3
19	B2-4
20	B2-4-1
21	B2-5
22	B2-6
23	B2-7
24	B3
25	B3-1
26	B3-2
27	B3-3
28	B3-4
29	B3-5
30	B3-6
31	B4
32	B5
33	B6
34	B7
35	B9
36	C1
37	C2
38	C4
39	E1
40	E10
41	E11
42	E12
43	E15
44	E16
45	E17
46	E18
47	E19
48	E2
49	E20
50	E2-1
51	E2-2
52	E2-3
53	E24
54	E25
55	E25-1
56	E26
57	E27
58	E28
59	E29
60	E30
61	E5
62	E6
63	E7
64	E8
65	F1
66	F10
67	F11
68	F12
69	F13
70	F14
71	F15
72	F16
73	F17
74	F2
75	F21
76	F22
77	F23
78	F3
79	F4
80	F5
81	F6
82	F7
83	F9
84	K1
85	K2

Ref. Part No: No:	Description:	Ref. Part No: No:	Description:																
<b>Image 1:</b>		<b>Image 1:</b>																	
1	6024928 COMPRESSOR ASSY. (M13)	61	6024340 MOUNTING PLATE (HEAT SINK) (M13)																
2	2222635 SOUND INSULATION (OUTER TRUNK) (M13)	62	6024341 LOCKING CARD SPACER (M13)																
3	6024336 SOUND INSULATION (INNER TRUNK) (M13)	63	6024342 CARD SPACER (M13)																
4	6024337 SOUND INSULATION (TOP) (M13)	64	6023970 THERMISTOR ASSY. (M13)																
5	091532J RUBBER GROMMET (M13)	65	6024933 BOTTOM FRAME ASSY. (M13)																
6	135859J FLANGE NUT (M13)	66	6025117 PLATE/ RADIATION SHIELD (M13)																
7	1727788 TERMINAL COVER (M13)	67	6025118 PLATE/ CONDUIT MOUNTING (M13)																
8	040139J RUBBER BUSH/ LEAD WIRE (M13)	68	6025119 COVER (CONDUIT MOUNTING PLATE) (M13)																
9	380620J RETAINER/ OVER-LOAD PROTECTOR (M13)	69	140380J WASHER FACED HEAD TAPPING SCREW (M13)																
10	7900028 CROSS-FIN CONDENSER ASSY. (M13)	70	109224J HEX. HEAD TAPPING SCREW (M13)																
11	380120J FITTING SPRING/ THERMISTOR (M13)	71	008203J TRUSS HEAD TAPPING SCREW (M13)																
12	7900036 REAR PLATE/ CONDENSER (M13)	72	048017J PAN HEAD TAPPING SCREW (M13)																
13	6025135 FOUR WAY VALVE ASSY. (M13)	73	6025120 TOP PLATE ASSY. (M13)																
14	1754285 PUTTY (M13)	74	6023980 SIDE PLATE (RIGHT) (M13)																
15	6024930 GAS STOP VALVE ASSY. (M13)	75	NA CAUTION LABEL (ELECTRIC SHOCK) (M13)																
16	7900031 GAS STOP VALVE ASSY. (SUB) (M13)	76	4011522 LABEL (M13)																
16	1406207 MUFFLER (M13)	77	NA CAUTION LABEL (BURN) (M13)																
17	1964138 BODY/ FOUR WAY VALVE (M13)	78	6023981 SIDE PLATE (LEFT) (M13)																
18	NA SUCTION PIPE (M13)	79	6024934 FRONT PLATE ASSY. (M13)																
19	7900033 DISCHARGE PIPE ASSY. (M13)	80	7900045 PARTITION PLATE (M13)																
20	117029J MUFFLER (M13)	81	7900046 FAN MOTOR STAND ASSY. (M13)																
21	6024338 PUTTY (M13)	82	6025116 COVER/ STOP VALVE (M13)																
22	980754J VIBRATION ABSORBER/ REF. PIPING (M13)	83	6016076 HANDLE (LEFT) (M13)																
23	980761J WEIGHT CLIP (M13)	84	NA BRAND NAME LABEL (M13)																
24	6025114 ELECTRONIC EXP. VALVE ASSY. (M13)	85	135886J DRAIN JOINT (M13)																
25	7900035 LIQUID STOP VALVE ASSY. (M13)	<b>Expanded Model Nomenclature</b>																	
26	1980882 BODY/ ELECTRONIC EXP. VALVE (M13)	<table border="1"> <tr><td>M1 - RKN09NMVJU</td></tr> <tr><td>M2 - RKN12NMVJU</td></tr> <tr><td>M3 - RKN18NMVJU</td></tr> <tr><td>M4 - RKN24NMVJU</td></tr> <tr><td>M5 - RK09NMVJU</td></tr> <tr><td>M6 - RK12NMVJU</td></tr> <tr><td>M7 - RK18NMVJU</td></tr> <tr><td>M8 - RK24NMVJU</td></tr> <tr><td>M9 - RXN09NMVJU</td></tr> <tr><td>M10 - RXN12NMVJU</td></tr> <tr><td>M11 - RXN18NMVJU</td></tr> <tr><td>M12 - RXN24NMVJU</td></tr> <tr><td>M13 - RX09NMVJU</td></tr> <tr><td>M14 - RX12NMVJU</td></tr> <tr><td>M15 - RX18NMVJU</td></tr> <tr><td>M16 - RX24NMVJU</td></tr> </table>		M1 - RKN09NMVJU	M2 - RKN12NMVJU	M3 - RKN18NMVJU	M4 - RKN24NMVJU	M5 - RK09NMVJU	M6 - RK12NMVJU	M7 - RK18NMVJU	M8 - RK24NMVJU	M9 - RXN09NMVJU	M10 - RXN12NMVJU	M11 - RXN18NMVJU	M12 - RXN24NMVJU	M13 - RX09NMVJU	M14 - RX12NMVJU	M15 - RX18NMVJU	M16 - RX24NMVJU
M1 - RKN09NMVJU																			
M2 - RKN12NMVJU																			
M3 - RKN18NMVJU																			
M4 - RKN24NMVJU																			
M5 - RK09NMVJU																			
M6 - RK12NMVJU																			
M7 - RK18NMVJU																			
M8 - RK24NMVJU																			
M9 - RXN09NMVJU																			
M10 - RXN12NMVJU																			
M11 - RXN18NMVJU																			
M12 - RXN24NMVJU																			
M13 - RX09NMVJU																			
M14 - RX12NMVJU																			
M15 - RX18NMVJU																			
M16 - RX24NMVJU																			
27	138233J MUFFLER (M13)																		
28	1851908 PUTTY (M13)																		
29	138349J PUTTY (M13)																		
30	237007J REFRIGERANT FILTER (M13)																		
31	6023978 SET PLATE/ STOP VALVE (M13)																		
32	2158703 CAP/ STOP VALVE (M13)																		
33	1753314 VALVE CAP (M13)																		
34	1723546 FLARE NUT (M13)																		
35	119848J FLARE NUT (M13)																		
36	6023976 FAN ROTOR (M13)																		
37	847002J FAN RETAINING NUT (M13)																		
38	6024931 DISCHARGE GRILLE ASSY. (M13)																		
39	6024339 SWITCH BOX (M13)																		
40	080611J MACHINE SCREW WITH WASHER (M13)																		
41	109688J TRUSS HEAD TAPPING SCREW (M13)																		
42	113783J TAPPING SCREW (M13)																		
43	156720J TERMINAL BLOCK (M13)																		
44	128511J FIXTURE/ THERMISTOR (M13)																		
45	1728781 FIXTURE/ THERMISTOR (M13)																		
46	6024945 EARTH WIRE (M13)																		
47	2051477 EARTH WIRE (M13)																		
48	6025140 PRINTED CIRCUIT ASSY. (CONTROL) (M13)																		
49	6024343 MOUNTING PLATE (TERMINAL PLATE) (M13)																		
50	4013760 VARISTOR (M13)																		
51	131316J FUSE (M13)																		
52	153875J FUSE (M13)																		
53	1839504 PAN HEAD TAPPING SCREW (M13)																		
54	6023973 WIRE HARNESS (COMPRESSOR) (M13)																		
55	7900041 FERRITE CORE (M13)																		
56	6025134 FOUR WAY VALVE COIL ASSY. (M13)																		
57	622418J OVERLOAD PROTECTOR (M13)																		
58	2149367 COIL/ ELECTRONIC EXP. VALVE (M13)																		
59	6023975 REACTOR (M13)																		
60	6024932 DC FAN MOTOR (M13)																		

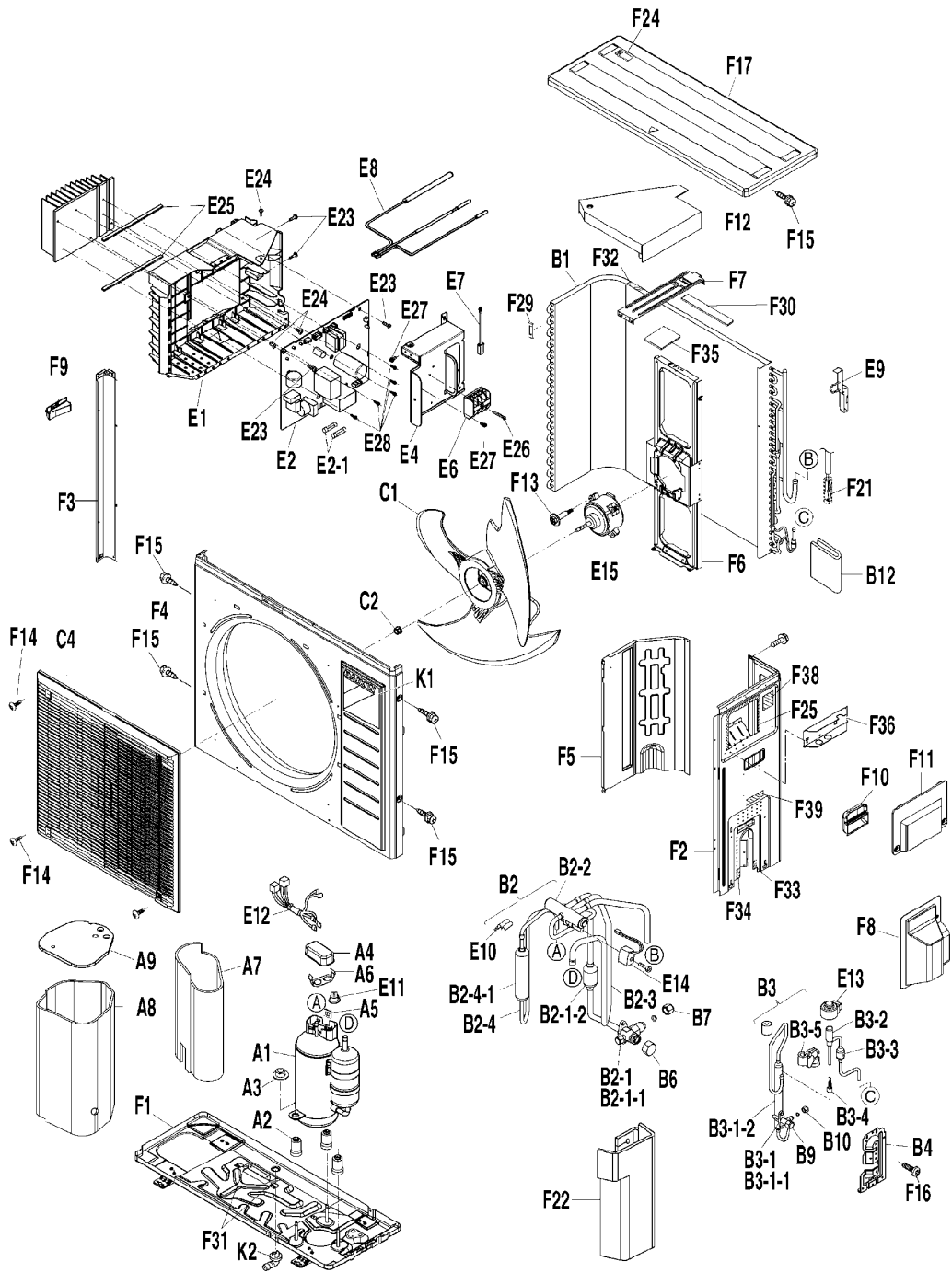
— TOP —



Picture Key	
Ref #	Picture #
1	A1
2	A10
3	A11
4	A12
5	A2
6	A3
7	A4
8	A5
9	A6
10	B1
11	B11
12	B1-1
13	B1-2
14	B19
15	B2
16	B20
16	B2-1
17	B2-1-1
18	B2-1-2
19	B2-2
20	B2-3
21	B2-4
22	B2-4-1
23	B2-5
24	B2-6
25	B2-7
26	B3
27	B3-1
28	B3-2
29	B3-3
30	B3-5
31	B3-7
32	B4
33	B5
34	B6
35	B7
36	B9
37	C1
38	C2
39	C4
40	E1
41	E10
42	E11
43	E12
44	E15
45	E16
46	E17
47	E18
48	E19
49	E2
50	E20
51	E2-1
52	E2-2
53	E2-3
54	E24
55	E25
56	E25-1
57	E26
58	E27
59	E28
60	E29
61	E30
62	F1
63	F2
64	F3
65	F4
66	F5
67	F6
68	F7
69	F10
70	F11
71	F12
72	F13
73	F14
74	F15
75	F16
76	F17
77	F21
78	F22
79	F23
80	F3
81	F4
82	F5
83	F6
84	F7
85	F9
86	K1
86	K2

Ref. Part No: No:	Description:	Ref. Part No: No:	Description:																
<b>Image 1:</b>		<b>Image 1:</b>																	
1	6024928 COMPRESSOR ASSY. (M14)	61	6024932 DC FAN MOTOR (M14)																
2	6024344 SOUND INSULATION (OUTER TRUNK) (M14)	62	6024340 MOUNTING PLATE (HEAT SINK) (M14)																
3	6024336 SOUND INSULATION (INNER TRUNK) (M14)	63	6024341 LOCKING CARD SPACER (M14)																
4	6024337 SOUND INSULATION (TOP) (M14)	64	6024342 CARD SPACER (M14)																
5	091532J RUBBER GROMMET (M14)	65	6023970 THERMISTOR ASSY. (M14)																
6	135859J FLANGE NUT (M14)	66	6024933 BOTTOM FRAME ASSY. (M14)																
7	1727788 TERMINAL COVER (M14)	67	6025117 PLATE/ RADIATION SHIELD (M14)																
8	040139J RUBBER BUSH/ LEAD WIRE (M14)	68	6025118 PLATE/ CONDUIT MOUNTING (M14)																
9	380620J RETAINER/ OVER-LOAD PROTECTOR (M14)	69	6025119 COVER (CONDUIT MOUNTING PLATE) (M14)																
10	6024935 PLATE FINNED COIL HEAT EXCH. ASSY. (M14)	70	140380J WASHER FACED HEAD TAPPING SCREW (M14)																
11	380120J FITTING SPRING/ THERMISTOR (M14)	71	109224J HEX. HEAD TAPPING SCREW (M14)																
12	154401J MUFFLER (M14)	72	008203J TRUSS HEAD TAPPING SCREW (M14)																
13	7900057 PUTTY (M14)	73	048017J PAN HEAD TAPPING SCREW (M14)																
14	7900036 REAR PLATE/ CONDENSER (M14)	74	6025120 TOP PLATE ASSY. (M14)																
15	6025130 FOUR WAY VALVE ASSY. (M14)	75	6023980 SIDE PLATE (RIGHT) (M14)																
16	6024930 GAS STOP VALVE ASSY. (M14)	76	NA CAUTION LABEL (ELECTRIC SHOCK) (M14)																
16	1754285 PUTTY (M14)	77	4011522 LABEL (M14)																
17	7900031 GAS STOP VALVE ASSY. (SUB) (M14)	78	NA CAUTION LABEL (BURN) (M14)																
18	1406207 MUFFLER (M14)	79	6023981 SIDE PLATE (LEFT) (M14)																
19	1964138 BODY/ FOUR WAY VALVE (M14)	80	6024934 FRONT PLATE ASSY. (M14)																
20	NA SUCTION PIPE (M14)	81	7900045 PARTITION PLATE (M14)																
21	7900033 DISCHARGE PIPE ASSY. (M14)	82	6023988 SUPPORT PLATE/ FAN MOTOR (M14)																
22	117029J MUFFLER (M14)	83	6025116 COVER/ STOP VALVE (M14)																
23	6024338 PUTTY (M14)	84	6016076 HANDLE (LEFT) (M14)																
24	980754J VIBRATION ABSORBER/ REF. PIPING (M14)	85	NA BRAND NAME LABEL (M14)																
25	980761J WEIGHT CLIP (M14)	86	135886J DRAIN JOINT (M14)																
26	6025131 ELECTRONIC EXP. VALVE ASSY. (M14)	<b>Expanded Model Nomenclature</b>																	
27	7900035 LIQUID STOP VALVE ASSY. (M14)	<table border="1"> <tr><td>M1 - RKN09NMVJU</td></tr> <tr><td>M2 - RKN12NMVJU</td></tr> <tr><td>M3 - RKN18NMVJU</td></tr> <tr><td>M4 - RKN24NMVJU</td></tr> <tr><td>M5 - RK09NMVJU</td></tr> <tr><td>M6 - RK12NMVJU</td></tr> <tr><td>M7 - RK18NMVJU</td></tr> <tr><td>M8 - RK24NMVJU</td></tr> <tr><td>M9 - RXN09NMVJU</td></tr> <tr><td>M10 - RXN12NMVJU</td></tr> <tr><td>M11 - RXN18NMVJU</td></tr> <tr><td>M12 - RXN24NMVJU</td></tr> <tr><td>M13 - RX09NMVJU</td></tr> <tr><td>M14 - RX12NMVJU</td></tr> <tr><td>M15 - RX18NMVJU</td></tr> <tr><td>M16 - RX24NMVJU</td></tr> </table>		M1 - RKN09NMVJU	M2 - RKN12NMVJU	M3 - RKN18NMVJU	M4 - RKN24NMVJU	M5 - RK09NMVJU	M6 - RK12NMVJU	M7 - RK18NMVJU	M8 - RK24NMVJU	M9 - RXN09NMVJU	M10 - RXN12NMVJU	M11 - RXN18NMVJU	M12 - RXN24NMVJU	M13 - RX09NMVJU	M14 - RX12NMVJU	M15 - RX18NMVJU	M16 - RX24NMVJU
M1 - RKN09NMVJU																			
M2 - RKN12NMVJU																			
M3 - RKN18NMVJU																			
M4 - RKN24NMVJU																			
M5 - RK09NMVJU																			
M6 - RK12NMVJU																			
M7 - RK18NMVJU																			
M8 - RK24NMVJU																			
M9 - RXN09NMVJU																			
M10 - RXN12NMVJU																			
M11 - RXN18NMVJU																			
M12 - RXN24NMVJU																			
M13 - RX09NMVJU																			
M14 - RX12NMVJU																			
M15 - RX18NMVJU																			
M16 - RX24NMVJU																			
28	1980882 BODY/ ELECTRONIC EXP. VALVE (M14)																		
29	138233J MUFFLER (M14)																		
30	138349J PUTTY (M14)																		
31	159396J PUTTY (M14)																		
32	6023978 SET PLATE/ STOP VALVE (M14)																		
33	2158703 CAP/ STOP VALVE (M14)																		
34	1753314 VALVE CAP (M14)																		
35	1723546 FLARE NUT (M14)																		
36	119848J FLARE NUT (M14)																		
37	6023976 FAN ROTOR (M14)																		
38	847002J FAN RETAINING NUT (M14)																		
39	6024931 DISCHARGE GRILLE ASSY. (M14)																		
40	6024339 SWITCH BOX (M14)																		
41	080611J MACHINE SCREW WITH WASHER (M14)																		
42	109688J TRUSS HEAD TAPPING SCREW (M14)																		
43	113783J TAPPING SCREW (M14)																		
44	156720J TERMINAL BLOCK (M14)																		
45	128511J FIXTURE/ THERMISTOR (M14)																		
46	1728781 FIXTURE/ THERMISTOR (M14)																		
47	6024945 EARTH WIRE (M14)																		
48	2051477 EARTH WIRE (M14)																		
49	6025139 PRINTED CIRCUIT ASSY. (CONTROL) (M14)																		
50	6024343 MOUNTING PLATE (TERMINAL PLATE) (M14)																		
51	4013760 VARISTOR (M14)																		
52	131316J FUSE (M14)																		
53	153875J FUSE (M14)																		
54	1839504 PAN HEAD TAPPING SCREW (M14)																		
55	6023973 WIRE HARNESS (COMPRESSOR) (M14)																		
56	7900041 FERRITE CORE (M14)																		
57	6025134 FOUR WAY VALVE COIL ASSY. (M14)																		
58	622418J OVERLOAD PROTECTOR (M14)																		
59	2149367 COIL/ ELECTRONIC EXP. VALVE (M14)																		
60	6023975 REACTOR (M14)																		

— TOP —

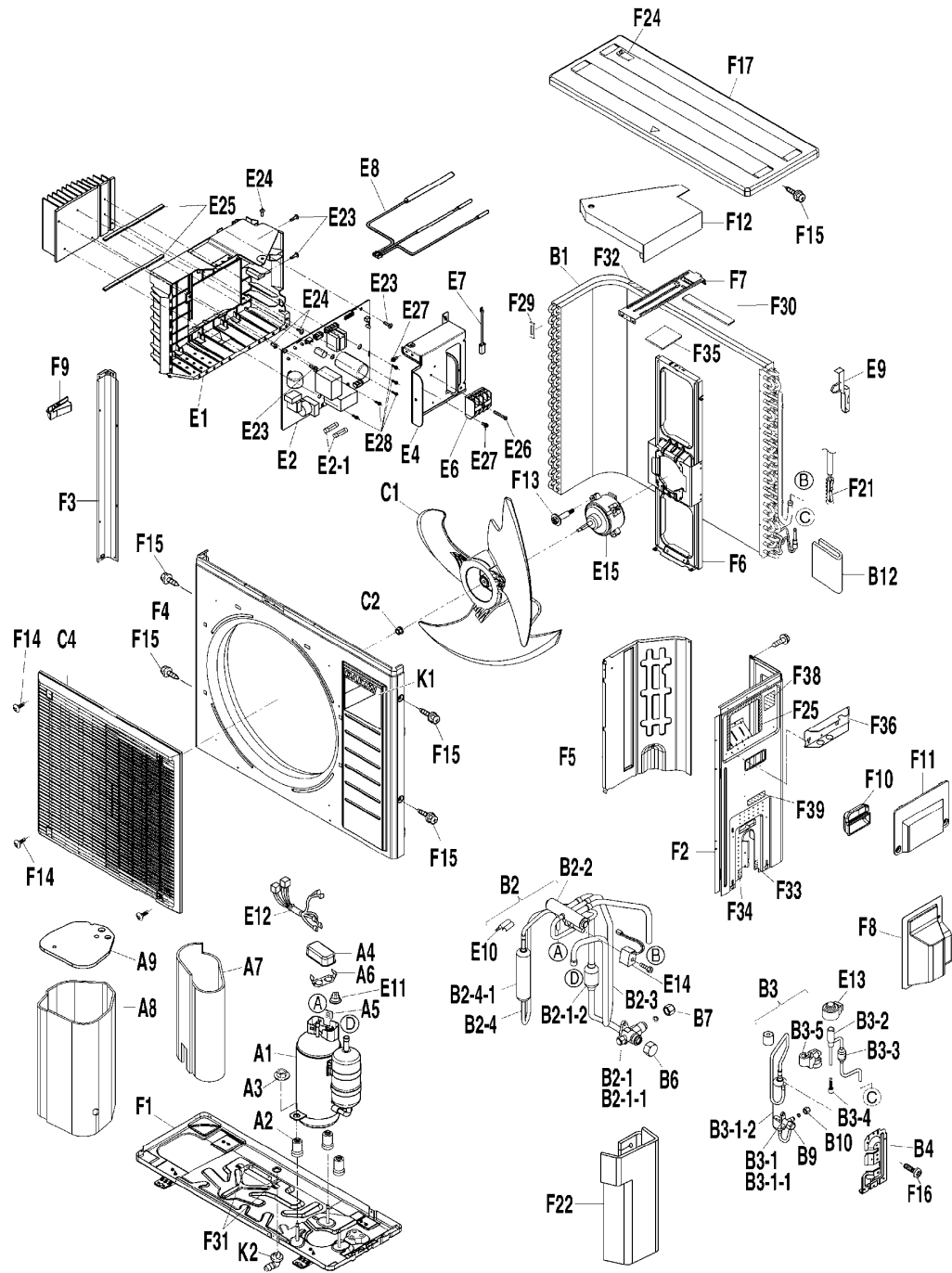


Picture Key

Ref #	Picture #
1	A1
2	A2
3	A3
4	A4
5	A5
6	A6
7	A7
8	A8
9	A9
10	B1
11	B10
12	B12
13	B2
14	B2-1
15	B2-1-1
16	B2-1-2
16	B2-2
17	B2-3
18	B2-4
19	B2-4-1
20	B3
21	B3-1
22	B3-1-1
23	B3-1-2
24	B3-2
25	B3-3
26	B3-4
27	B3-5
28	B4
29	B6
30	B7
31	B9
32	C1
33	C2
34	C4
35	E1
36	E10
37	E11
38	E12
39	E13
40	E14
41	E15
42	E2
43	E2-1
44	E23
45	E24
46	E25
47	E26
48	E27
49	E28
50	E4
51	E6
52	E7
53	E8
54	E9
55	F1
56	F10
57	F11
58	F12
59	F13
60	F14
61	F15
62	F16
63	F17
64	F2
65	F21
66	F22
67	F24
68	F25
69	F29
70	F3
71	F30
72	F31
73	F32
74	F33
75	F34
76	F35
77	F36
78	F38
79	F39
80	F4
81	F5
82	F6
83	F7
84	F8
85	F9
86	K1
87	K2

Ref. Part No: No:	Description:	Ref. Part No: No:	Description:																
<b>Image 1:</b>		<b>Image 1:</b>																	
1	6024936 COMPRESSOR ASSY. (M15)	61	109224J HEX. HEAD TAPPING SCREW (M15)																
2	128989J RUBBER GROMMET (M15)	62	048017J PAN HEAD TAPPING SCREW (M15)																
3	135859J FLANGE NUT (M15)	63	6022834 TOP PLATE (M15)																
4	1727788 TERMINAL COVER (M15)	64	6022707 SIDE PLATE (RIGHT) (M15)																
5	040139J RUBBER BUSH/ LEAD WIRE (M15)	65	380120J FITTING SPRING/ THERMISTOR (M15)																
6	380620J RETAINER/ OVER-LOAD PROTECTOR (M15)	66	6025112 SOUND INSULATION (RV) (M15)																
7	6025086 SOUND INSULATION (INNER SLEEVE) (M15)	67	4011522 LABEL (M15)																
8	6023853 SOUND INSULATION (OUTER BODY) (M15)	68	7900079 SEALING MATERIAL (M15)																
9	6023854 SOUND INSULATION (TOP) (M15)	69	7900083 SEALING MATERIAL (M15)																
10	6025089 HEAT EXCHANGER ASSY. (M15)	70	6022758 SIDE PLATE (LEFT) (M15)																
11	1723546 FLARE NUT (M15)	71	7900084 CUSHION MATERIAL (FAN MOTOR STAND) (M15)																
12	NA PUTTY (M15)	72	7900085 CUSHION RUBBER (BOTTOM FRAME) (M15)																
13	6025126 FOUR WAY VALVE ASSY. (M15)	73	NA SEALING MATERIAL (M15)																
14	6024937 GAS STOP VALVE ASSY. (M15)	74	7900086 SEALING MATERIAL (M15)																
15	6024939 GAS STOP VALVE ASSY. (SUB) (M15)	75	7900087 SEALING MATERIAL (M15)																
16	4009504 BODY/ FOUR WAY VALVE (M15)	76	2256032 CUSHION MATERIAL (CR FORM RUBBER) (M15)																
16	170889J MUFFLER (M15)	77	6025102 CONDUIT MOUNTING PLATE (M15)																
17	6025104 SUCTION PIPE (M15)	78	NA CAUTION LABEL (ELECTRIC SHOCK) (M15)																
18	6025105 DISCHARGE PIPE ASSY. (M15)	79	6019130 CAUTION LABEL (BURN) (M15)																
19	152295J MUFFLER (M15)	80	6022706 FRONT PLATE (M15)																
20	6025106 ELECTRONIC EXP. VALVE ASSY. (M15)	81	6022760 PARTITION PLATE (M15)																
21	6025107 LIQUID RECEIVER ASSY. (M15)	82	6022871 MOTOR BASE (M15)																
22	6025108 LIQUID STOP VALVE ASSY. (M15)	83	6025100 FAN MOTOR STAND (M15)																
23	99S8402 LIQUID RECEIVER (M15)	84	6022709 STOP VALVE COVER (M15)																
24	131004J BODY/ ELECTRONIC EXP. VALVE (M15)	85	6022835 HANDLE (M15)																
25	138233J MUFFLER (M15)	86	NA BRAND NAME LABEL (M15)																
26	111167J STRAINER (M15)	87	135886J DRAIN JOINT (M15)																
27	137963J PUTTY (M15)	<b>Expanded Model Nomenclature</b>																	
28	7900070 SET PLATE/ STOP VALVE (M15)	<table border="1"> <tr><td>M1 - RKN09NMVJU</td></tr> <tr><td>M2 - RKN12NMVJU</td></tr> <tr><td>M3 - RKN18NMVJU</td></tr> <tr><td>M4 - RKN24NMVJU</td></tr> <tr><td>M5 - RK09NMVJU</td></tr> <tr><td>M6 - RK12NMVJU</td></tr> <tr><td>M7 - RK18NMVJU</td></tr> <tr><td>M8 - RK24NMVJU</td></tr> <tr><td>M9 - RXN09NMVJU</td></tr> <tr><td>M10 - RXN12NMVJU</td></tr> <tr><td>M11 - RXN18NMVJU</td></tr> <tr><td>M12 - RXN24NMVJU</td></tr> <tr><td>M13 - RX09NMVJU</td></tr> <tr><td>M14 - RX12NMVJU</td></tr> <tr><td>M15 - RX18NMVJU</td></tr> <tr><td>M16 - RX24NMVJU</td></tr> </table>		M1 - RKN09NMVJU	M2 - RKN12NMVJU	M3 - RKN18NMVJU	M4 - RKN24NMVJU	M5 - RK09NMVJU	M6 - RK12NMVJU	M7 - RK18NMVJU	M8 - RK24NMVJU	M9 - RXN09NMVJU	M10 - RXN12NMVJU	M11 - RXN18NMVJU	M12 - RXN24NMVJU	M13 - RX09NMVJU	M14 - RX12NMVJU	M15 - RX18NMVJU	M16 - RX24NMVJU
M1 - RKN09NMVJU																			
M2 - RKN12NMVJU																			
M3 - RKN18NMVJU																			
M4 - RKN24NMVJU																			
M5 - RK09NMVJU																			
M6 - RK12NMVJU																			
M7 - RK18NMVJU																			
M8 - RK24NMVJU																			
M9 - RXN09NMVJU																			
M10 - RXN12NMVJU																			
M11 - RXN18NMVJU																			
M12 - RXN24NMVJU																			
M13 - RX09NMVJU																			
M14 - RX12NMVJU																			
M15 - RX18NMVJU																			
M16 - RX24NMVJU																			
29	119849J FLARE NUT (M15)																		
30	6015411 VALVE CAP (M15)																		
31	1753314 VALVE CAP (M15)																		
32	6022761 FAN BLADE (M15)																		
33	847003J LOCK NUT/ FAN (M15)																		
34	6024941 DISCHARGE GRILLE ASSY. (M15)																		
35	6023857 EL. COMPO. MOUNTING PLATE (M15)																		
36	1728781 FIXTURE/ THERMISTOR (M15)																		
37	622418J OVERLOAD PROTECTOR (M15)																		
38	7900074 WIRE HARNESS (COMP) (M15)																		
39	6022924 COIL/ MOTORIZED VALVE (M15)																		
40	6025129 FOUR WAY VALVE COIL ASSY. (M15)																		
41	6024942 DC FAN MOTOR (M15)																		
42	6025138 PRINTED CIRCUIT ASSY. (CONTROL) (M15)																		
43	153875J FUSE (M15)																		
44	121650J TRUSS HEAD TAPPING SCREW (M15)																		
45	109688J TRUSS HEAD TAPPING SCREW (M15)																		
46	NA SEALING MATERIAL (M15)																		
47	1839504 PAN HEAD TAPPING SCREW (M15)																		
48	113783J TAPPING SCREW (M15)																		
49	131073J PAN HEAD MACHINE SCREW (M15)																		
50	6023858 MOUNTING PLATE (TERMINAL STRIP) (M15)																		
51	156720J TERMINAL BLOCK (M15)																		
52	2051477 EARTH WIRE (M15)																		
53	6025111 THERMISTOR ASSY. (M15)																		
54	128511J FIXTURE/ THERMISTOR (M15)																		
55	6024943 BOTTOM FRAME ASSY. (M15)																		
56	1885709 HANDLE (M15)																		
57	6025101 TERMINAL STRIP COVER (M15)																		
58	6022865 DRIP PROOF COVER (M15)																		
59	140380J WASHER FACED HEAD TAPPING SCREW (M15)																		
60	008203J TRUSS HEAD TAPPING SCREW (M15)																		

— TOP —



Picture Key	
Ref #	Picture #
1	A1
2	A2
3	A3
4	A4
5	A5
6	A6
7	A7
8	A8
9	A9
10	B1
11	B10
12	B12
13	B2
14	B2-1
15	B2-1-1
16	B2-1-2
16	B2-2
17	B2-3
18	B2-4
19	B2-4-1
20	B3
21	B3-1
22	B3-1-1
23	B3-1-2
24	B3-2
25	B3-3
26	B3-4
27	B3-5
28	B4
29	B6
30	B7
31	B9
32	C1
33	C2
34	C4
35	E1
36	E10
37	E11
38	E12
39	E13
40	E14
41	E15
42	E2
43	E2-1
44	E23
45	E24
46	E25
47	E26
48	E27
49	E28
50	E4
51	E6
52	E7
53	E8
54	E9
55	F1
56	F10
57	F11
58	F12
59	F13
60	F14
61	F15
62	F16
63	F17
64	F2
65	F21
66	F22
67	F24
68	F25
69	F29
70	F3
71	F30
72	F31
73	F32
74	F33
75	F34
76	F35
77	F36
78	F38
79	F39
80	F4
81	F5
82	F6
83	F7
84	F8
85	F9
86	K1
87	K2



Ref. Part No: No:	Description:	Ref. Part No: No:	Description:																
<b>Image 1:</b>		<b>Image 1:</b>																	
1	6024936 COMPRESSOR ASSY. (M16)	61	109224J HEX. HEAD TAPPING SCREW (M16)																
2	128989J RUBBER GROMMET (M16)	62	048017J PAN HEAD TAPPING SCREW (M16)																
3	135859J FLANGE NUT (M16)	63	6022834 TOP PLATE (M16)																
4	1727788 TERMINAL COVER (M16)	64	6022707 SIDE PLATE (RIGHT) (M16)																
5	040139J RUBBER BUSH/ LEAD WIRE (M16)	65	380120J FITTING SPRING/ THERMISTOR (M16)																
6	380620J RETAINER/ OVER-LOAD PROTECTOR (M16)	66	6025112 SOUND INSULATION (RV) (M16)																
7	6025086 SOUND INSULATION (INNER SLEEVE) (M16)	67	4011522 LABEL (M16)																
8	6023853 SOUND INSULATION (OUTER BODY) (M16)	68	7900079 SEALING MATERIAL (M16)																
9	6023854 SOUND INSULATION (TOP) (M16)	69	7900083 SEALING MATERIAL (M16)																
10	6025121 HEAT EXCHANGER ASSY. (M16)	70	6022758 SIDE PLATE (LEFT) (M16)																
11	1723546 FLARE NUT (M16)	71	7900084 CUSHION MATERIAL (FAN MOTOR STAND) (M16)																
12	NA PUTTY (M16)	72	7900085 CUSHION RUBBER (BOTTOM FRAME) (M16)																
13	6025103 FOUR WAY VALVE ASSY. (M16)	73	6002549 SEALING MATERIAL (M16)																
14	6024938 GAS STOP VALVE ASSY. (M16)	74	7900086 SEALING MATERIAL (M16)																
15	6024940 GAS STOP VALVE ASSY. (SUB) (M16)	75	7900087 SEALING MATERIAL (M16)																
16	4009504 BODY/ FOUR WAY VALVE (M16)	76	2256032 CUSHION MATERIAL (CR FORM RUBBER) (M16)																
16	170889J MUFFLER (M16)	77	6025102 CONDUIT MOUNTING PLATE (M16)																
17	6025104 SUCTION PIPE (M16)	78	NA CAUTION LABEL (ELECTRIC SHOCK) (M16)																
18	6025105 DISCHARGE PIPE ASSY. (M16)	79	6019130 CAUTION LABEL (BURN) (M16)																
19	152295J MUFFLER (M16)	80	6022706 FRONT PLATE (M16)																
20	6025122 ELECTRONIC EXP. VALVE ASSY. (M16)	81	6022760 PARTITION PLATE (M16)																
21	6025123 LIQUID RECEIVER ASSY. (M16)	82	6022871 MOTOR BASE (M16)																
22	6025108 LIQUID STOP VALVE ASSY. (M16)	83	6022759 MOTOR BASE (M16)																
23	6025124 LIQUID RECEIVER (M16)	84	6022709 STOP VALVE COVER (M16)																
24	131004J BODY/ ELECTRONIC EXP. VALVE (M16)	85	6022835 HANDLE (M16)																
25	138233J MUFFLER (M16)	86	NA BRAND NAME LABEL (M16)																
26	111167J STRAINER (M16)	87	135886J DRAIN JOINT (M16)																
27	137963J PUTTY (M16)	<b>Expanded Model Nomenclature</b>																	
28	6016077 MOUNTING PLATE/ STOP VALVE (M16)	<table border="1"> <tr><td>M1 - RKN09NMVJU</td></tr> <tr><td>M2 - RKN12NMVJU</td></tr> <tr><td>M3 - RKN18NMVJU</td></tr> <tr><td>M4 - RKN24NMVJU</td></tr> <tr><td>M5 - RK09NMVJU</td></tr> <tr><td>M6 - RK12NMVJU</td></tr> <tr><td>M7 - RK18NMVJU</td></tr> <tr><td>M8 - RK24NMVJU</td></tr> <tr><td>M9 - RXN09NMVJU</td></tr> <tr><td>M10 - RXN12NMVJU</td></tr> <tr><td>M11 - RXN18NMVJU</td></tr> <tr><td>M12 - RXN24NMVJU</td></tr> <tr><td>M13 - RX09NMVJU</td></tr> <tr><td>M14 - RX12NMVJU</td></tr> <tr><td>M15 - RX18NMVJU</td></tr> <tr><td>M16 - RX24NMVJU</td></tr> </table>		M1 - RKN09NMVJU	M2 - RKN12NMVJU	M3 - RKN18NMVJU	M4 - RKN24NMVJU	M5 - RK09NMVJU	M6 - RK12NMVJU	M7 - RK18NMVJU	M8 - RK24NMVJU	M9 - RXN09NMVJU	M10 - RXN12NMVJU	M11 - RXN18NMVJU	M12 - RXN24NMVJU	M13 - RX09NMVJU	M14 - RX12NMVJU	M15 - RX18NMVJU	M16 - RX24NMVJU
M1 - RKN09NMVJU																			
M2 - RKN12NMVJU																			
M3 - RKN18NMVJU																			
M4 - RKN24NMVJU																			
M5 - RK09NMVJU																			
M6 - RK12NMVJU																			
M7 - RK18NMVJU																			
M8 - RK24NMVJU																			
M9 - RXN09NMVJU																			
M10 - RXN12NMVJU																			
M11 - RXN18NMVJU																			
M12 - RXN24NMVJU																			
M13 - RX09NMVJU																			
M14 - RX12NMVJU																			
M15 - RX18NMVJU																			
M16 - RX24NMVJU																			
29	119850J FLARE NUT (M16)																		
30	139571J VALVE CAP (M16)																		
31	1753314 VALVE CAP (M16)																		
32	6022761 FAN BLADE (M16)																		
33	847003J LOCK NUT/ FAN (M16)																		
34	6024941 DISCHARGE GRILLE ASSY. (M16)																		
35	6023857 EL. COMPO. MOUNTING PLATE (M16)																		
36	1728781 FIXTURE/ THERMISTOR (M16)																		
37	622418J OVERLOAD PROTECTOR (M16)																		
38	7900074 WIRE HARNESS (COMP) (M16)																		
39	6022924 COIL/ ELECTRONIC EXP. VALVE (M16)																		
40	6025129 FOUR WAY VALVE COIL ASSY. (M16)																		
41	6024942 DC FAN MOTOR (M16)																		
42	6025219 PRINTED CIRCUIT ASSY. (CONTROL) (M16)																		
43	153875J FUSE (M16)																		
44	121650J TRUSS HEAD TAPPING SCREW (M16)																		
45	109688J TRUSS HEAD TAPPING SCREW (M16)																		
46	NA SEALING MATERIAL (M16)																		
47	1839504 PAN HEAD TAPPING SCREW (M16)																		
48	113783J TAPPING SCREW (M16)																		
49	131073J PAN HEAD MACHINE SCREW (M16)																		
50	6023858 MOUNTING PLATE (TERMINAL STRIP) (M16)																		
51	156720J TERMINAL BLOCK (M16)																		
52	2051477 EARTH WIRE (M16)																		
53	6025111 THERMISTOR ASSY. (M16)																		
54	128511J FIXTURE/ THERMISTOR (M16)																		
55	6024943 BOTTOM FRAME ASSY. (M16)																		
56	1885709 HANDLE (M16)																		
57	6025101 TERMINAL STRIP COVER (M16)																		
58	6022865 DRIP PROOF COVER (M16)																		
59	140380J WASHER FACED HEAD TAPPING SCREW (M16)																		
60	008203J TRUSS HEAD TAPPING SCREW (M16)																		