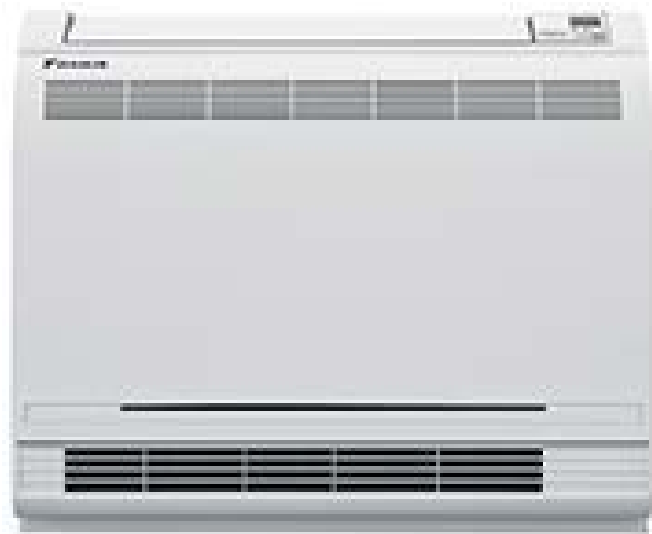
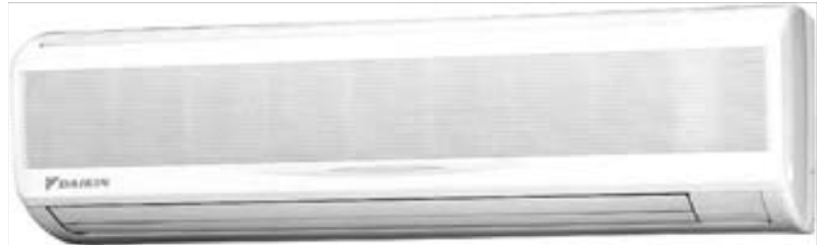


Indoor Ductless Wall Mounted AC/HP

FTK09NMVJU
FTK12NMVJU
FTK18NMVJU
FTK24NMVJU
FTKN09NMVJU
FTKN12NMVJU
FTKN18NMVJU
FTKN24NMVJU
FTX09NMVJU
FTX12NMVJU
FTX15NMVJU
FTX18NMVJU
FTX24NMVJU
FTXN09NMVJU
FTXN12NMVJU
FTXN18NMVJU
FTXN24NMVJU



This manual is to be used by qualified technicians only.

This manual replaces RP-D6023.

© 2015-2016 **DAIKIN MANUFACTURING COMPANY, L.P.** ♦ 5151 San Felipe St., Suite 500 ♦ Houston, TX 77056

Important Information

Index

Functional Parts List	3
Illustration and Parts	4 - 21

Views shown are for parts illustrations only, not servicing procedures

Text Codes:

AR - As Required

NA - Not Available

NS - Not Shown

00000000 - See Note

QTY - Quantity Example (QTY 3) (If Quantity not shown, Quantity = 1)

M - Model Example (M1) (If M Code not shown, then part is used on all Models)

Expanded Model Nomenclature:

Example M1 - Model#1 M2 - Model#2 M3 - Model#3

Daikin Manufacturing Company, L.P. is not responsible for personal injury or property damage resulting from improper service. Review all service information before beginning repairs.

Warranty service must be performed by an authorized technician, using authorized factory parts. If service is required after the warranty expires, Daikin Manufacturing Company, L.P. also recommends contacting an authorized technician and using authorized factory parts.

Daikin Manufacturing Company, L.P. reserves the right to discontinue, or change at any time, specifications or designs without notice or without incurring obligations.

For assistance within the U.S.A. contact:

Consumer Affairs Department
Daikin North America, LLC
7401 Security Way
Houston, Texas 77040
855-770-5678-Telephone
713-863-2382-Facsimile

For assistance outside the U.S.A. contact:

International Division
Daikin North America, LLC
7401 Security Way
Houston, Texas 77040
713-861-2500-Telephone
713-863-2382-Facsimile

Functional Parts

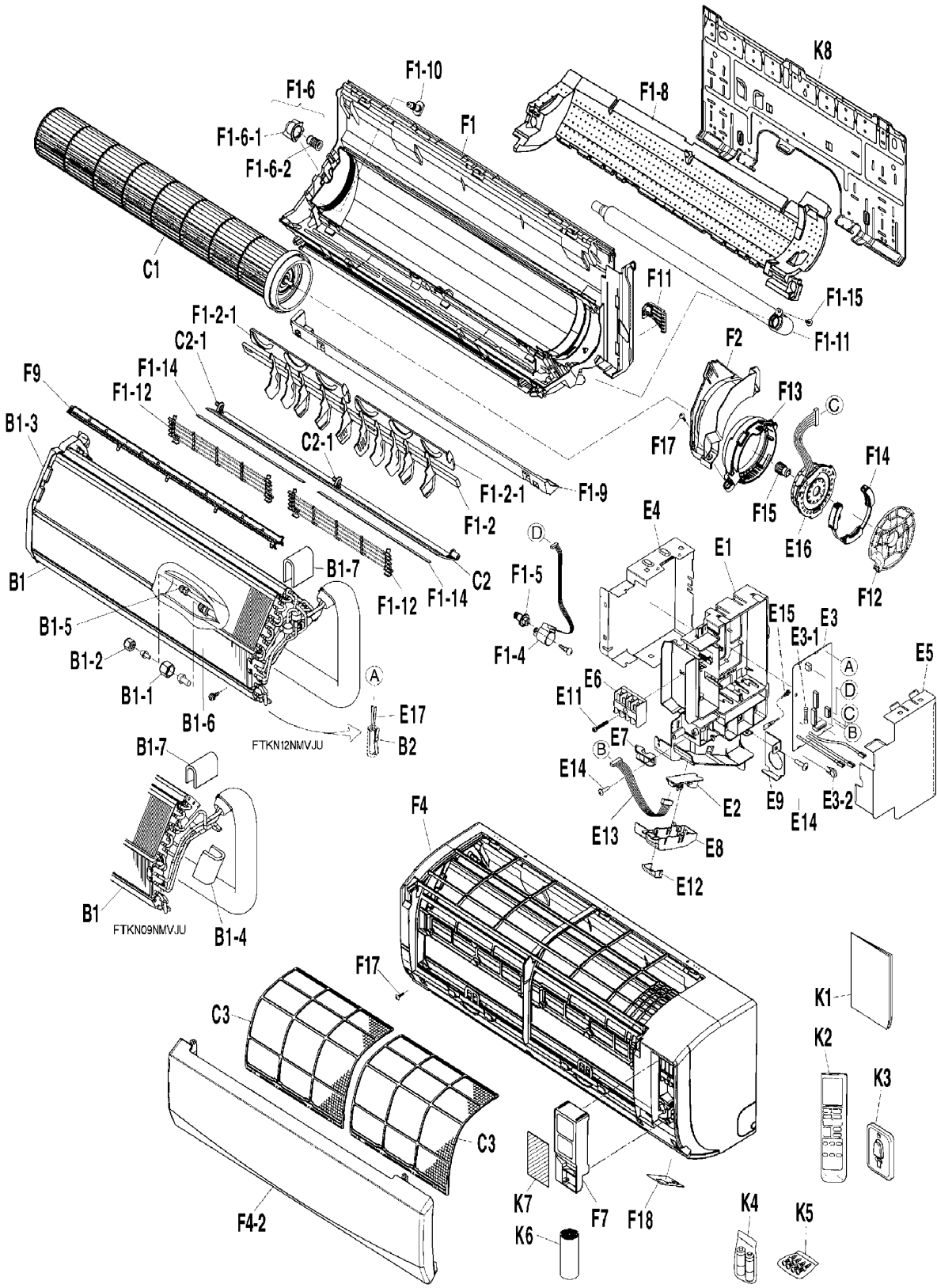
Part

No: Description:

153875J	FUSE (M1, M2, M5, M6, M7, M8, M9, M10, M12, M13, M14, M15, M16, M17)
6024906	HEAT EXCHANGER ASSY. (M1, M5)
6024907	HEAT EXCHANGER ASSY. (M2, M6, M9, M14, M15)
6024910	HEAT EXCHANGER ASSY. (M3, M7, M12, M16)
6024911	HEAT EXCHANGER ASSY. (M4, M8, M13, M17)
6025018	HEAT EXCHANGER ASSY. (M10)
6024971	PRINTED CIRCUIT ASSY. (M4, M8)
6024957	PRINTED CIRCUIT ASSY. (M2, M6)
6024956	PRINTED CIRCUIT ASSY. (M1, M5)
6024972	PRINTED CIRCUIT ASSY. (M3)
6024993	PRINTED CIRCUIT ASSY. (M7)
6025003	PRINTED CIRCUIT ASSY. (M12, M16)
6025004	PRINTED CIRCUIT ASSY. (M13, M17)
6025019	PRINTED CIRCUIT ASSY. (M10, M15)
6025020	PRINTED CIRCUIT ASSY. (M9, M14)
7900094	PRINTED CIRCUIT ASSY. (M1, M2, M5, M6, M9, M11, M14, M15)
6025775	PRINTED CIRCUIT ASSY. (M11)
6024915	PRINTED CIRCUIT ASSY. (DISPLAY) (M3, M4, M7, M8, M12, M13, M16, M17)
6024916	PRINTED CIRCUIT ASSY. (FILTER) (M7, M8, M12, M13, M16, M17)
6023959	STEP MOTOR (M1, M2, M5, M6, M9, M10, M14, M15)
179743J	STEPPING MOTOR (M3, M4, M7, M8, M12, M13, M16, M17)
6025264	STEPPING MOTOR (M11)
1907786	TERMINAL BLOCK (M5, M6, M7, M8, M9, M10, M12, M13, M14, M15, M16, M17)
6023935	THERMISTOR (M1, M2, M5, M6, M9, M10)
6023935	THERMISTOR (M14, M15)
6024919	THERMISTOR (M3, M4, M7, M8)

Expanded Model Nomenclature

M1 - FTKN09NMVJU
M2 - FTKN12NMVJU
M3 - FTKN18NMVJU
M4 - FTKN24NMVJU
M5 - FTXN09NMVJU
M6 - FTXN12NMVJU
M7 - FTXN18NMVJU
M8 - FTXN24NMVJU
M9 - FTX09NMVJU
M10 - FTX12NMVJU
M11 - FTX15NMVJU
M12 - FTX18NMVJU
M13 - FTX24NMVJU
M14 - FTK09NMVJU
M15 - FTK12NMVJU
M16 - FTK18NMVJU
M17 - FTK24NMVJU

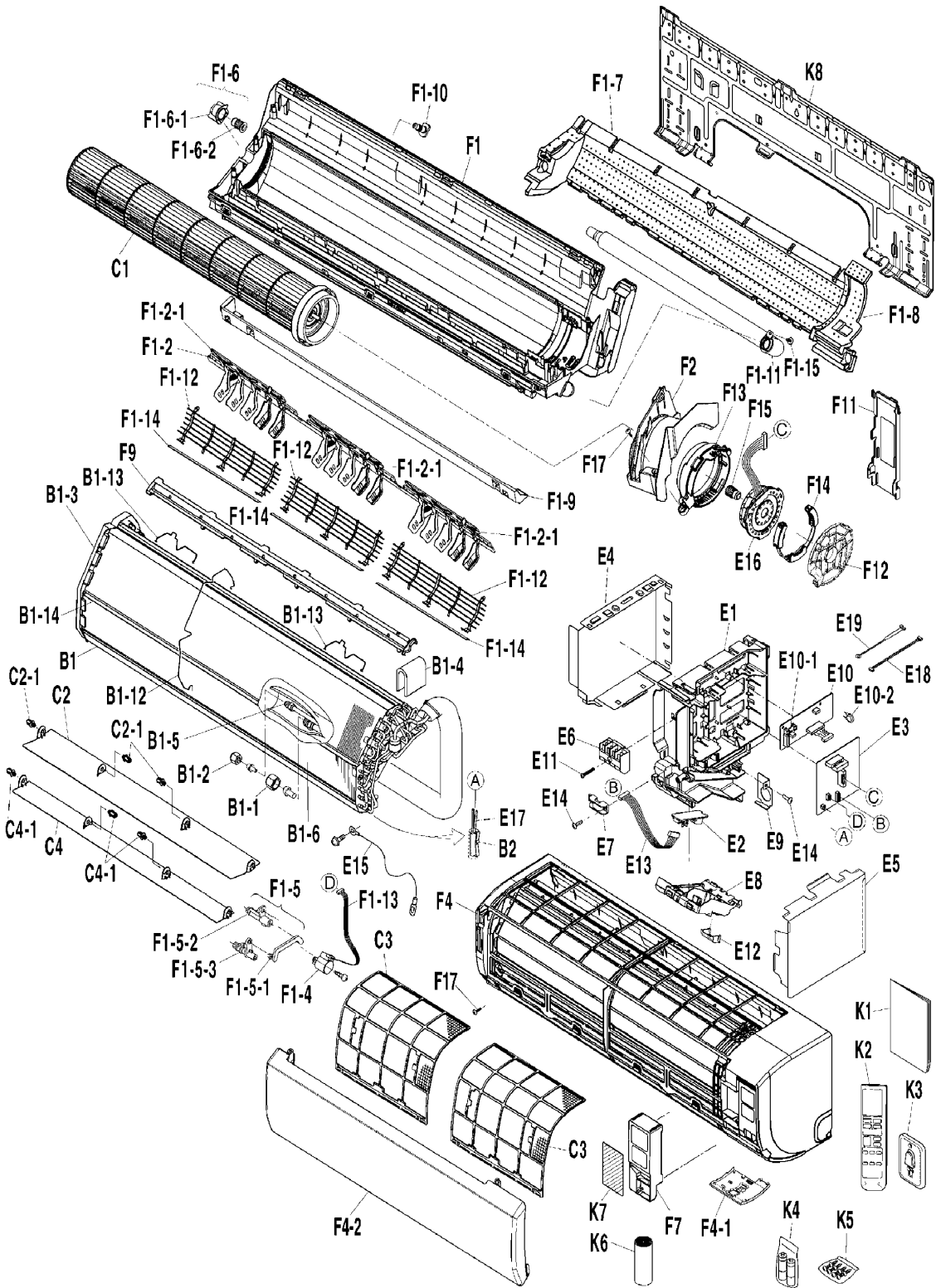


Picture Key	
Ref #	Picture #
1	B1
2	B1-1
3	B1-2
4	B1-3
5	B1-4
6	B1-5
7	B1-6
8	B1-7
9	B2
10	C1
11	C2
12	C2-1
13	C3
14	E1
15	E2
16	E3
16	E3
17	E3-1
18	E3-2
19	E4
20	E5
21	E6
22	E7
23	E8
24	E9
25	E11
26	E12
27	E13
28	E14
29	E15
30	E16
31	E17
32	F1
33	F1-2
34	F1-2-1
35	F1-4
36	F1-5
37	F1-6
38	F1-6-1
39	F1-6-2
40	F1-8
41	F1-9
42	F1-10
43	F1-11
44	F1-12
45	F1-14
46	F1-15
47	F2
48	F4
49	F4-2
50	F7
51	F9
52	F11
53	F12
54	F13
55	F14
56	F15
57	F17
58	F18
59	K1
60	K2
61	K3
62	K4
63	K5
64	K6
65	K7
66	K8

Ref. Part No: No:	Description:	Ref. Part No: No:	Description:																	
Image 1:		Image 1:																		
1	6024906 HEAT EXCHANGER ASSY. (M1)	56	146817J VIBRATION ISOLATOR (M1, M2)																	
1	6024907 HEAT EXCHANGER ASSY. (M2)	57	121650J GROUNDING TERMINAL (M1, M2)																	
2	119848J FLARE NUT (M1, M2)	58	7900109 INDICATION LABEL (M1, M2)																	
3	1723546 FLARE NUT (M1, M2)	59	NA OPERATION MANUAL (M1, M2)																	
4	6023913 SIDE PLATE (LEFT) (M1, M2)	60	6024964 REMOTE CONTROLLER ASSY. (M1, M2)																	
5	2222527 PUTTY (M1)	61	7900110 REMOTE CONTROLLER HOLDER (M1, M2)																	
6	7900089 SINGLE UNION JOINT (M1, M2)	62	NA BATTERY PACK ASSY. (M1, M2)																	
7	6024954 SINGLE UNION JOINT (M1)	63	NA SCREW PACK (M1, M2)																	
7	7900090 SINGLE UNION JOINT (M2)	64	1782381 ANTISWEAT MATERIAL (HEAT INSULATION) (M1, M2)																	
8	2222565 PUTTY (M1)																			
8	6024955 PUTTY (M2)	65	NA CAUTION LABEL (ELECTRIC SHOCK) (M1, M2)																	
9	380120J FITTING SPRING/ THERMISTOR (M1, M2)	66	7900111 INSTALLATION PLATE (M1, M2)																	
10	2217758 CROSS FLOW FAN ASSY. (M1, M2)	Expanded Model Nomenclature																		
11	7900092 DISCH. GRILLE HOR. BLADE ASSY. (M1, M2)	<table border="1"> <tr><td>M1 - FTKN09NMVJU</td></tr> <tr><td>M2 - FTKN12NMVJU</td></tr> <tr><td>M3 - FTKN18NMVJU</td></tr> <tr><td>M4 - FTKN24NMVJU</td></tr> <tr><td>M5 - FTXN09NMVJU</td></tr> <tr><td>M6 - FTXN12NMVJU</td></tr> <tr><td>M7 - FTXN18NMVJU</td></tr> <tr><td>M8 - FTXN24NMVJU</td></tr> <tr><td>M9 - FTX09NMVJU</td></tr> <tr><td>M10 - FTX12NMVJU</td></tr> <tr><td>M11 - FTX15NMVJU</td></tr> <tr><td>M12 - FTX18NMVJU</td></tr> <tr><td>M13 - FTX24NMVJU</td></tr> <tr><td>M14 - FTK09NMVJU</td></tr> <tr><td>M15 - FTK12NMVJU</td></tr> <tr><td>M16 - FTK18NMVJU</td></tr> <tr><td>M17 - FTK24NMVJU</td></tr> </table>		M1 - FTKN09NMVJU	M2 - FTKN12NMVJU	M3 - FTKN18NMVJU	M4 - FTKN24NMVJU	M5 - FTXN09NMVJU	M6 - FTXN12NMVJU	M7 - FTXN18NMVJU	M8 - FTXN24NMVJU	M9 - FTX09NMVJU	M10 - FTX12NMVJU	M11 - FTX15NMVJU	M12 - FTX18NMVJU	M13 - FTX24NMVJU	M14 - FTK09NMVJU	M15 - FTK12NMVJU	M16 - FTK18NMVJU	M17 - FTK24NMVJU
M1 - FTKN09NMVJU																				
M2 - FTKN12NMVJU																				
M3 - FTKN18NMVJU																				
M4 - FTKN24NMVJU																				
M5 - FTXN09NMVJU																				
M6 - FTXN12NMVJU																				
M7 - FTXN18NMVJU																				
M8 - FTXN24NMVJU																				
M9 - FTX09NMVJU																				
M10 - FTX12NMVJU																				
M11 - FTX15NMVJU																				
M12 - FTX18NMVJU																				
M13 - FTX24NMVJU																				
M14 - FTK09NMVJU																				
M15 - FTK12NMVJU																				
M16 - FTK18NMVJU																				
M17 - FTK24NMVJU																				
12	6004993 SHAFT (M1, M2)																			
13	7900093 AIR FILTER (M1, M2)																			
14	6024480 SWITCH BOX (M1, M2)																			
15	7900094 PRINTED CIRCUIT ASSY. (M1, M2)																			
16	6024956 PRINTED CIRCUIT ASSY. (M1)																			
16	6024957 PRINTED CIRCUIT ASSY. (M2)																			
17	153875J FUSE (M1, M2)																			
18	113954J VARISTOR (M1, M2)																			
19	6024481 SHIELD PLATE (1) (M1, M2)																			
20	6024484 SHIELD PLATE (2) (M1, M2)																			
21	1907786 TERMINAL BLOCK (M1, M2)																			
22	0812847 WIRE CLAMP (M1, M2)																			
23	6024482 COVER/ INDICATION LAMP (M1, M2)																			
24	6024958 CONDUIT MOUNTING PLATE (M1, M2)																			
25	174888J PAN HEAD TAPPING SCREW (M1, M2)																			
26	6024483 COVER/ OPERATION SIGN (INFRARED) (M1, M2)																			
27	2218720 WIRE HARNESS (INDICATION LAMP) (M1, M2)																			
28	121650J GROUNDING TERMINAL (M1, M2)																			
29	6024959 EARTH WIRE (M1, M2)																			
30	6024960 FAN MOTOR STATOR (M1, M2)																			
31	6023935 THERMISTOR (M1, M2)																			
32	6024961 BOTTOM FRAME ASSY. (M1, M2)																			
33	7900099 AIR OUTLET (STABILIZER) ASSY. (M1, M2)																			
34	6024962 DISCH. GRILLE VERT. BLADE (M1, M2)																			
35	6023959 STEP MOTOR (M1, M2)																			
36	6023945 ROD (M1, M2)																			
37	7900101 FAN BEARING VIBRATION ABSORBER (M1, M2)																			
38	6023926 BEARING MOUNTING PLATE (M1, M2)																			
39	156867J VIBRATION ABSORBER/ FAN BEARING (M1, M2)																			
40	7900102 THERMAL INSULATION (REAR) (M1, M2)																			
41	7900103 THERMAL INSULATION (FRONT) ASSY. (M1, M2)																			
42	066228J DRAIN PLUG (M1, M2)																			
43	6015490 DRAIN HOSE (M1, M2)																			
44	7900104 FAN GUARD ASSY. (M1, M2)																			
45	6024963 SEALING MATERIAL (BOTTOM FRAME) (M1, M2)																			
46	170429J TAPPING SCREW (M1, M2)																			
47	7900022 SIDE PLATE (RIGHT) (M1, M2)																			
48	6024908 FRONT GRILLE ASSY. (M1, M2)																			
49	7900024 PANEL ASSY. (M1, M2)																			
50	7900105 SERVICE COVER ASSY. (M1, M2)																			
51	7900107 SEALING PLATE (M1, M2)																			
52	6024489 PIPING FIXTURE (M1, M2)																			
53	6023927 MOTOR COVER (CAP) (M1, M2)																			
54	7900108 MOTOR COVER ASSY. (M1, M2)																			
55	6023946 RUBBER GROMMET (M1, M2)																			

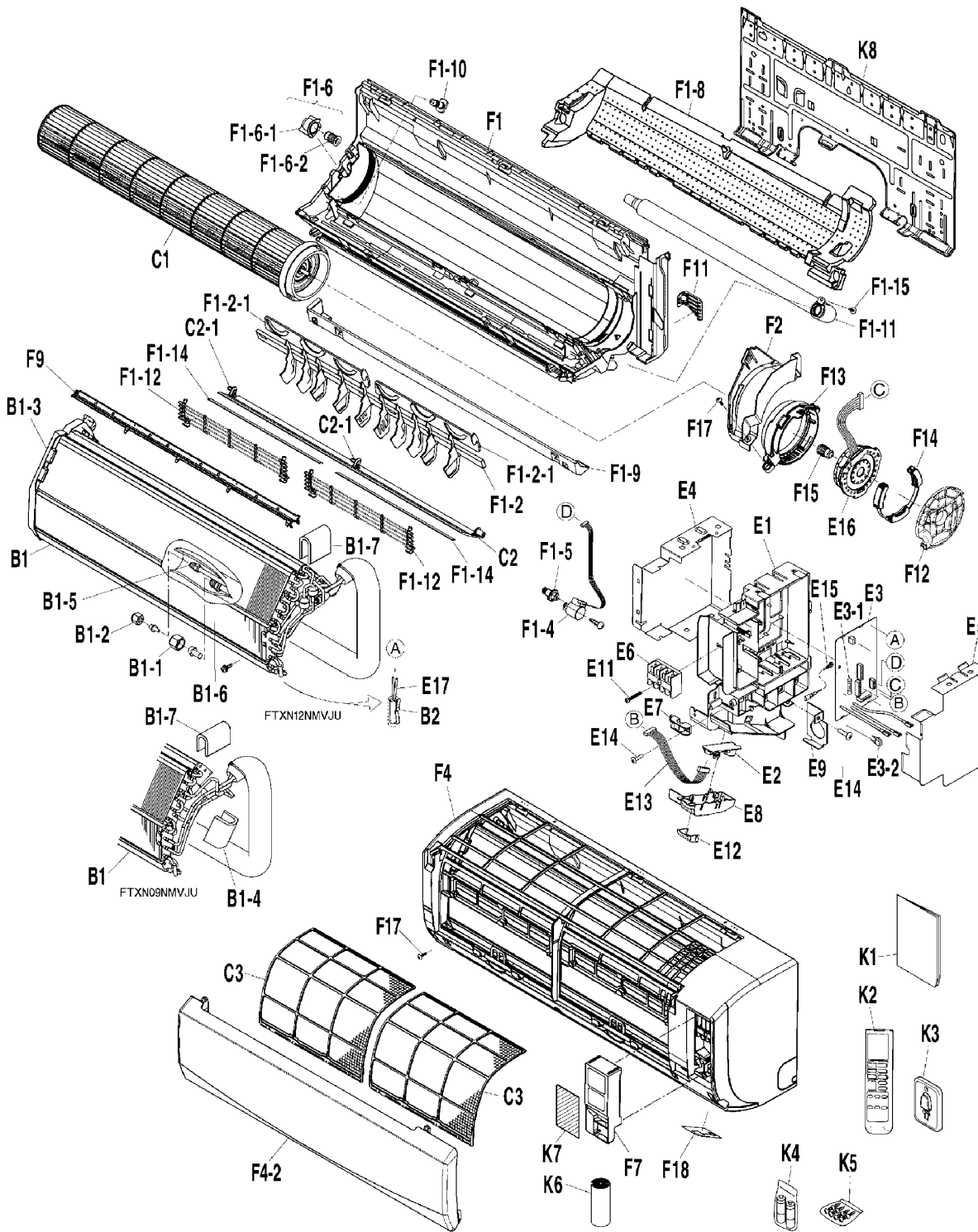
Picture Key

Ref #	Picture #
1	B1
2	B1-1
3	B1-2
4	B1-3
5	B1-4
6	B1-5
7	B1-6
8	B1-12
9	B1-13
10	B1-14
11	B2
12	C1
13	C2
14	C2-1
15	C3
16	C4
17	C4-1
18	E1
19	E2
20	E3
20	E3
21	E4
22	E5
23	E6
24	E7
25	E8
26	E9
27	E10
28	E10-1
29	E10-2
30	E11
31	E12
32	E13
33	E14
34	E15
35	E16
36	E17
37	E18
38	E19
39	F1
40	F1-2
41	F1-2-1
42	F1-4
43	F1-5
44	F1-5-1
45	F1-5-2
46	F1-5-3
47	F1-6
48	F1-6-1
49	F1-6-2
50	F1-7
51	F1-8
52	F1-9
53	F1-10
54	F1-11
55	F1-12
56	F1-13
57	F1-14
58	F1-15
59	F2
60	F4
61	F4-1
62	F4-2
63	F7
64	F9
65	F11
66	F12
67	F13
68	F14
69	F15
70	F17
71	K1
72	K2
73	K3
74	K4
75	K5
76	K6
77	K7
78	K8



Ref. Part No: No:	Description:	Ref. Part No: No:	Description:																	
Image 1:		Image 1:																		
1	6024910 HEAT EXCHANGER ASSY. (M3)	55	6024984 FAN GUARD ASSY. (M3, M4)																	
1	6024911 HEAT EXCHANGER ASSY. (M4)	56	6024923 WIRE HARNESS ASSY. (FOR STM) (M3, M4)																	
2	119849J FLARE NUT (M3)	57	6024985 SEALING MATERIAL (M3, M4)																	
2	119850J FLARE NUT (M4)	58	170429J TAPPING SCREW (M3, M4)																	
3	1723546 FLARE NUT (M3, M4)	59	6024924 SIDE PANEL (RIGHT) (M3, M4)																	
4	6024912 SIDE PANEL (LEFT) (M3, M4)	60	6024925 FRONT GRILLE ASSY. (M3, M4)																	
5	6024965 PUTTY (M3, M4)	61	6024926 CONTROL PANEL ASSY. (M3, M4)																	
6	7900089 SINGLE UNION JOINT (M3, M4)	62	6024986 PANEL ASSY. (M3, M4)																	
7	6024966 SINGLE UNION JOINT (M3, M4)	63	6024987 SERVICE COVER ASSY. (M3, M4)																	
7	6024967 SINGLE UNION JOINT (M4)	64	6024988 SEALING PLATE (TOP) (M3, M4)																	
8	6024968 WIRE SPRING (M3, M4)	65	6024989 PIPING FIXTURE (M3, M4)																	
9	7900113 WIRE SPRING (M3, M4)	66	6024990 MOTOR COVER (CAP) (M3, M4)																	
10	4009439 SEALING PLATE (H/E BENDING) (M3, M4)	67	6024991 MOTOR COVER ASSY. (M3, M4)																	
11	380120J FITTING SPRING/ THERMISTOR (M3, M4)	68	6023946 RUBBER GROMMET (M3, M4)																	
12	6024927 CROSS FLOW FAN ASSY. (M3, M4)	69	146817J VIBRATION ISOLATOR (M3, M4)																	
13	6024913 DISCH. GRILLE HOR. BLADE (1) (M3, M4)	70	121650J GROUNDING TERMINAL (M3, M4)																	
14	6004993 SHAFT (M3, M4)	71	NA OPERATION MANUAL (M3, M4)																	
15	6024914 AIR FILTER (M3, M4)	72	6024964 REMOTE CONTROLLER ASSY. (M3, M4)																	
16	6024969 DISCH. GRILLE HOR. BLADE (2) (M3, M4)	73	7900110 REMOTE CONTROLLER HOLDER (M3, M4)																	
17	6004993 SHAFT (M3, M4)	74	NA BATTERY PACK ASSY. (M3, M4)																	
18	6024970 SWITCH BOX (M3, M4)	75	NA SCREW PACK (M3, M4)																	
19	6024915 PRINTED CIRCUIT ASSY. (DISPLAY) (M3, M4)	76	1782381 ANTISWEAT MATERIAL (HEAT INSULATION) (M3, M4)																	
20	6024971 PRINTED CIRCUIT ASSY. (M4)	77	NA CAUTION LABEL (ELECTRIC SHOCK) (M3, M4)																	
20	6024972 PRINTED CIRCUIT ASSY. (M3)	78	6024992 INSTALLATION PLATE (M3, M4)																	
21	6024973 SHIELD PLATE (1) (M3, M4)	Expanded Model Nomenclature																		
22	6024974 SHIELD PLATE (2) (M3, M4)	<table border="1"> <tr><td>M1 - FTKN09NMVJU</td></tr> <tr><td>M2 - FTKN12NMVJU</td></tr> <tr><td>M3 - FTKN18NMVJU</td></tr> <tr><td>M4 - FTKN24NMVJU</td></tr> <tr><td>M5 - FTXN09NMVJU</td></tr> <tr><td>M6 - FTXN12NMVJU</td></tr> <tr><td>M7 - FTXN18NMVJU</td></tr> <tr><td>M8 - FTXN24NMVJU</td></tr> <tr><td>M9 - FTX09NMVJU</td></tr> <tr><td>M10 - FTX12NMVJU</td></tr> <tr><td>M11 - FTX15NMVJU</td></tr> <tr><td>M12 - FTX18NMVJU</td></tr> <tr><td>M13 - FTX24NMVJU</td></tr> <tr><td>M14 - FTK09NMVJU</td></tr> <tr><td>M15 - FTK12NMVJU</td></tr> <tr><td>M16 - FTK18NMVJU</td></tr> <tr><td>M17 - FTK24NMVJU</td></tr> </table>		M1 - FTKN09NMVJU	M2 - FTKN12NMVJU	M3 - FTKN18NMVJU	M4 - FTKN24NMVJU	M5 - FTXN09NMVJU	M6 - FTXN12NMVJU	M7 - FTXN18NMVJU	M8 - FTXN24NMVJU	M9 - FTX09NMVJU	M10 - FTX12NMVJU	M11 - FTX15NMVJU	M12 - FTX18NMVJU	M13 - FTX24NMVJU	M14 - FTK09NMVJU	M15 - FTK12NMVJU	M16 - FTK18NMVJU	M17 - FTK24NMVJU
M1 - FTKN09NMVJU																				
M2 - FTKN12NMVJU																				
M3 - FTKN18NMVJU																				
M4 - FTKN24NMVJU																				
M5 - FTXN09NMVJU																				
M6 - FTXN12NMVJU																				
M7 - FTXN18NMVJU																				
M8 - FTXN24NMVJU																				
M9 - FTX09NMVJU																				
M10 - FTX12NMVJU																				
M11 - FTX15NMVJU																				
M12 - FTX18NMVJU																				
M13 - FTX24NMVJU																				
M14 - FTK09NMVJU																				
M15 - FTK12NMVJU																				
M16 - FTK18NMVJU																				
M17 - FTK24NMVJU																				
23	1907786 TERMINAL BLOCK (M3, M4)																			
24	0812847 WIRE CLAMP (M3, M4)																			
25	6024975 INDICATION LAMP COVER (M3, M4)																			
26	6024958 CONDUIT MOUNTING PLATE (M3, M4)																			
27	6024916 PRINTED CIRCUIT ASSY. (FILTER) (M3, M4)																			
28	153875J FUSE (M3, M4)																			
29	113954J VARISTOR (M3, M4)																			
30	174888J PAN HEAD TAPPING SCREW (M3, M4)																			
31	6024976 OPERATION SIGN COVER (INFRARED) (M3, M4)																			
32	6024917 WIRE HARNESS (INDICATION LAMP) (M3, M4)																			
33	121650J GROUNDING TERMINAL (M3, M4)																			
34	6024959 EARTH WIRE (M3, M4)																			
35	6024918 FAN MOTOR STATOR (M3, M4)																			
36	6024919 THERMISTOR (M3, M4)																			
37	6024920 WIRE HARNESS ASSY. (POWER SOURCE) (M3, M4)																			
38	6024921 WIRE HARNESS ASSY. (FG) (M3, M4)																			
39	6024922 BOTTOM FRAME ASSY. (M3, M4)																			
40	6024977 AIR OUTLET (STABILIZER) ASSY. (M3, M4)																			
41	6024978 DISCH. GRILLE VERT. BLADE (M3, M4)																			
42	179743J STEPPING MOTOR (M3, M4)																			
43	6024979 SHAFT (LINK) ASSY. (M3, M4)																			
44	6024980 DISCH. GRILLE HOR. BLADE SUPPORT (M3, M4)																			
45	1327722 LINK/ HORIZONTAL VANE (2) (M3, M4)																			
46	1327739 LINK/ HORIZONTAL VANE (3) (M3, M4)																			
47	7900101 FAN BEARING VIBRATION ABSORBER (M3, M4)																			
48	6023926 BEARING MOUNTING PLATE (M3, M4)																			
49	156867J VIBRATION ABSORBER/ FAN BEARING (M3, M4)																			
50	6024981 THERMAL INSULATION (REAR) 1 (M3, M4)																			
51	6024982 THERMAL INSULATION (REAR) 2 (M3, M4)																			
52	6024983 THERMAL INSULATION (FRONT) (M3, M4)																			
53	066228J DRAIN PLUG (M3, M4)																			
54	6015490 DRAIN HOSE (M3, M4)																			

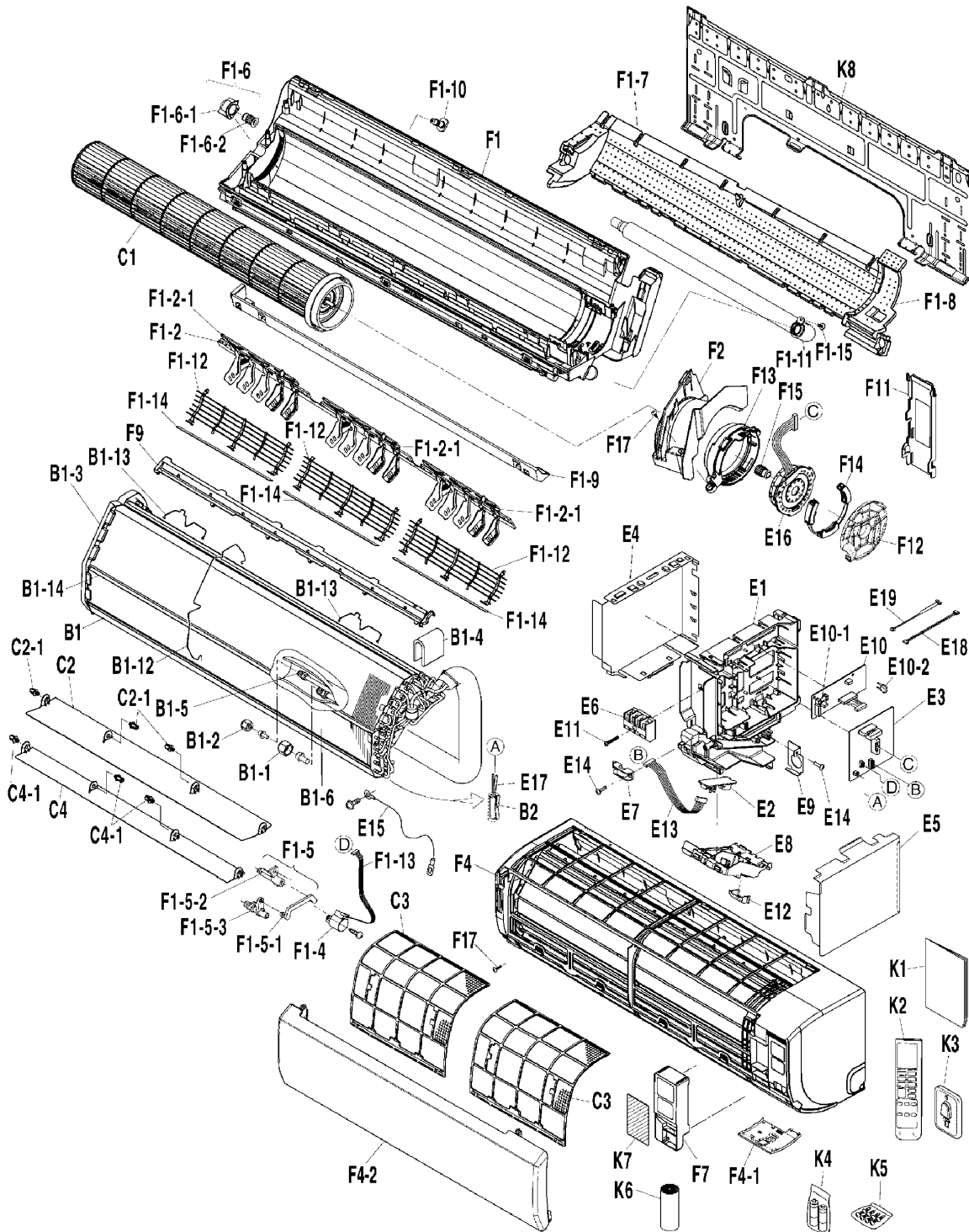
FTXN09NMVJU / FTXN12NMVJU



Picture Key	
Ref #	Picture #
1	B1
2	B1-1
3	B1-2
4	B1-3
5	B1-4
6	B1-5
7	B1-6
8	B1-7
9	B2
10	C1
11	C2
12	C2-1
13	C3
14	E1
15	E2
16	E3
17	E3-1
18	E3-2
19	E4
20	E5
21	E6
22	E7
23	E8
24	E9
25	E11
26	E12
27	E13
28	E14
29	E15
30	E16
31	E17
32	F1
33	F1-2
34	F1-2-1
35	F1-4
36	F1-5
37	F1-6
38	F1-6-1
39	F1-6-2
40	F1-8
41	F1-9
42	F1-10
43	F1-11
44	F1-12
45	F1-14
46	F1-15
47	F2
48	F4
49	F4-2
50	F7
51	F9
52	F11
53	F12
54	F13
55	F14
56	F15
57	F17
58	F18
59	K1
60	K2
61	K3
62	K4
63	K5
64	K6
65	K7
66	K8

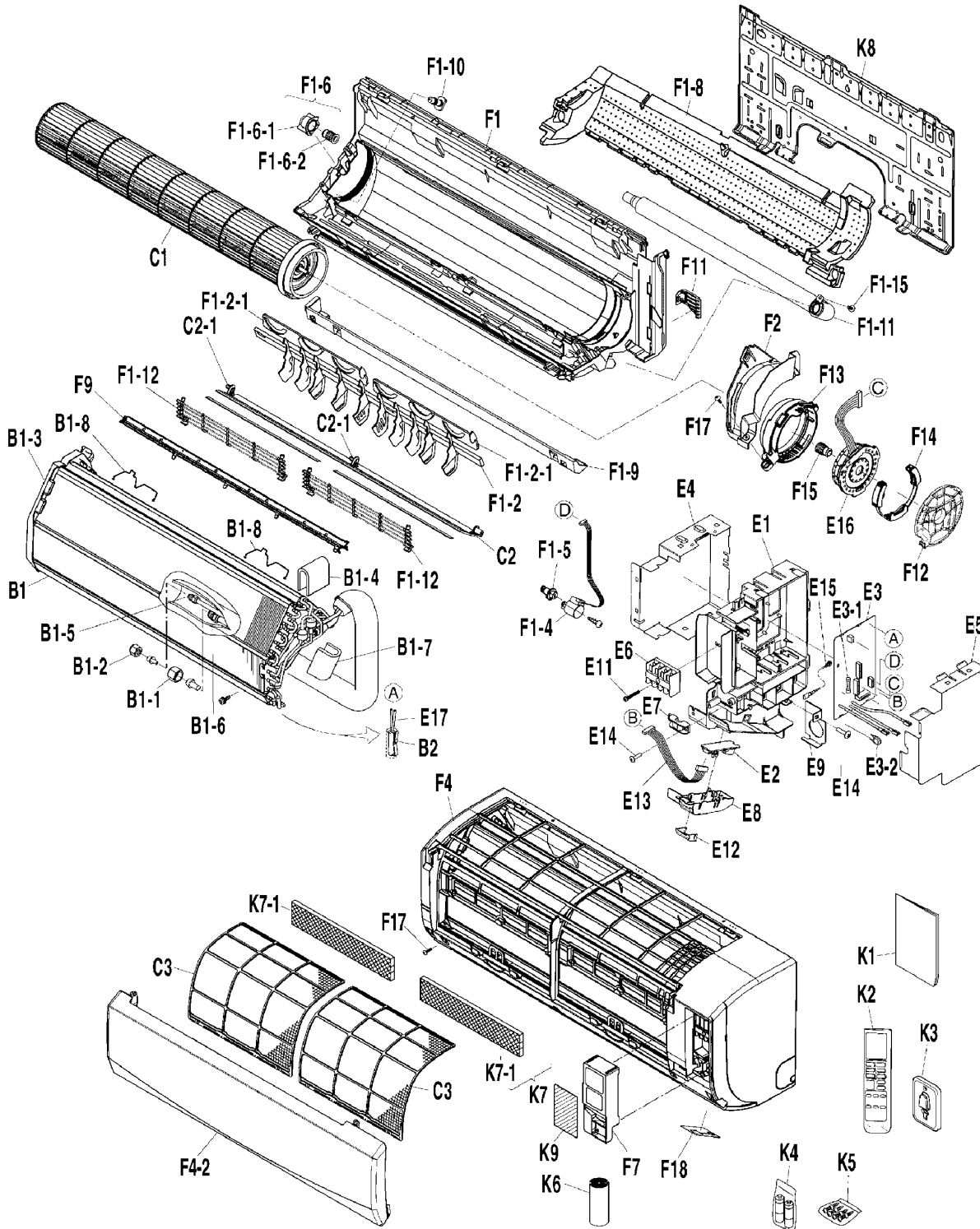
Ref. Part No: No:	Description:	Ref. Part No: No:	Description:																	
Image 1:		Image 1:																		
1	6024906 HEAT EXCHANGER ASSY. (M5)	56	146817J VIBRATION ISOLATOR (M5, M6)																	
1	6024907 HEAT EXCHANGER ASSY. (M6)	57	121650J GROUNDING TERMINAL (M5, M6)																	
2	119848J FLARE NUT (M5, M6)	58	7900109 INDICATION LABEL (M5, M6)																	
3	1723546 FLARE NUT (M5, M6)	59	NA OPERATION MANUAL (M5, M6)																	
4	6023913 SIDE PLATE (LEFT) (M5, M6)	60	6024909 REMOTE CONTROLLER ASSY. (M5, M6)																	
5	2222527 PUTTY (M5)	61	7900110 REMOTE CONTROLLER HOLDER (M5, M6)																	
6	7900089 SINGLE UNION JOINT (M5, M6)	62	NA BATTERY PACK ASSY. (M5, M6)																	
7	6024954 SINGLE UNION JOINT (M5)	63	NA SCREW PACK (M5, M6)																	
7	7900090 SINGLE UNION JOINT (M6)	64	1782381 ANTISWEAT MATERIAL (HEAT INSULATION) (M5, M6)																	
8	2222565 PUTTY (M5)																			
8	6024955 PUTTY (M6)	65	NA CAUTION LABEL (ELECTRIC SHOCK) (M5, M6)																	
9	380120J FITTING SPRING/ THERMISTOR (M5, M6)	66	7900111 INSTALLATION PLATE (M5, M6)																	
10	2217758 CROSS FLOW FAN ASSY. (M5, M6)	Expanded Model Nomenclature																		
11	7900092 DISCH. GRILLE HOR. BLADE ASSY. (M5, M6)	<table border="1"> <tr><td>M1 - FTKN09NMVJU</td></tr> <tr><td>M2 - FTKN12NMVJU</td></tr> <tr><td>M3 - FTKN18NMVJU</td></tr> <tr><td>M4 - FTKN24NMVJU</td></tr> <tr><td>M5 - FTXN09NMVJU</td></tr> <tr><td>M6 - FTXN12NMVJU</td></tr> <tr><td>M7 - FTXN18NMVJU</td></tr> <tr><td>M8 - FTXN24NMVJU</td></tr> <tr><td>M9 - FTX09NMVJU</td></tr> <tr><td>M10 - FTX12NMVJU</td></tr> <tr><td>M11 - FTX15NMVJU</td></tr> <tr><td>M12 - FTX18NMVJU</td></tr> <tr><td>M13 - FTX24NMVJU</td></tr> <tr><td>M14 - FTK09NMVJU</td></tr> <tr><td>M15 - FTK12NMVJU</td></tr> <tr><td>M16 - FTK18NMVJU</td></tr> <tr><td>M17 - FTK24NMVJU</td></tr> </table>		M1 - FTKN09NMVJU	M2 - FTKN12NMVJU	M3 - FTKN18NMVJU	M4 - FTKN24NMVJU	M5 - FTXN09NMVJU	M6 - FTXN12NMVJU	M7 - FTXN18NMVJU	M8 - FTXN24NMVJU	M9 - FTX09NMVJU	M10 - FTX12NMVJU	M11 - FTX15NMVJU	M12 - FTX18NMVJU	M13 - FTX24NMVJU	M14 - FTK09NMVJU	M15 - FTK12NMVJU	M16 - FTK18NMVJU	M17 - FTK24NMVJU
M1 - FTKN09NMVJU																				
M2 - FTKN12NMVJU																				
M3 - FTKN18NMVJU																				
M4 - FTKN24NMVJU																				
M5 - FTXN09NMVJU																				
M6 - FTXN12NMVJU																				
M7 - FTXN18NMVJU																				
M8 - FTXN24NMVJU																				
M9 - FTX09NMVJU																				
M10 - FTX12NMVJU																				
M11 - FTX15NMVJU																				
M12 - FTX18NMVJU																				
M13 - FTX24NMVJU																				
M14 - FTK09NMVJU																				
M15 - FTK12NMVJU																				
M16 - FTK18NMVJU																				
M17 - FTK24NMVJU																				
12	6004993 SHAFT (M5, M6)																			
13	7900093 AIR FILTER (M5, M6)																			
14	6024480 SWITCH BOX (M5, M6)																			
15	7900094 PRINTED CIRCUIT ASSY. (M5, M6)																			
16	6024956 PRINTED CIRCUIT ASSY. (M5)																			
16	6024957 PRINTED CIRCUIT ASSY. (M6)																			
17	153875J FUSE (M5, M6)																			
18	113954J VARISTOR (M5, M6)																			
19	6024481 SHIELD PLATE (1) (M5, M6)																			
20	6024484 SHIELD PLATE (2) (M5, M6)																			
21	1907786 TERMINAL BLOCK (M5, M6)																			
22	0812847 WIRE CLAMP (M5, M6)																			
23	6024482 COVER/ INDICATION LAMP (M5, M6)																			
24	6024958 CONDUIT MOUNTING PLATE (M5, M6)																			
25	174888J PAN HEAD TAPPING SCREW (M5, M6)																			
26	6024483 COVER/ OPERATION SIGN (INFRARED) (M5, M6)																			
27	2218720 WIRE HARNESS (INDICATION LAMP) (M5, M6)																			
28	121650J GROUNDING TERMINAL (M5, M6)																			
29	6024959 EARTH WIRE (M5, M6)																			
30	6024960 FAN MOTOR STATOR (M5, M6)																			
31	6023935 THERMISTOR (M5, M6)																			
32	6024961 BOTTOM FRAME ASSY. (M5, M6)																			
33	7900099 AIR OUTLET (STABILIZER) ASSY. (M5, M6)																			
34	6024962 DISCH. GRILLE VERT. BLADE (M5, M6)																			
35	6023959 STEP MOTOR (M5, M6)																			
36	6023945 ROD (M5, M6)																			
37	7900101 FAN BEARING VIBRATION ABSORBER (M5, M6)																			
38	6023926 BEARING MOUNTING PLATE (M5, M6)																			
39	156867J VIBRATION ABSORBER/ FAN BEARING (M5, M6)																			
40	7900102 THERMAL INSULATION (REAR) (M5, M6)																			
41	7900103 THERMAL INSULATION (FRONT) ASSY. (M5, M6)																			
42	066228J DRAIN PLUG (M5, M6)																			
43	6015490 DRAIN HOSE (M5, M6)																			
44	7900104 FAN GUARD ASSY. (M5, M6)																			
45	6024963 SEALING MATERIAL (BOTTOM FRAME) (M5, M6)																			
46	170429J TAPPING SCREW (M5, M6)																			
47	7900022 SIDE PLATE (RIGHT) (M5, M6)																			
48	6024908 FRONT GRILLE ASSY. (M5, M6)																			
49	7900024 PANEL ASSY. (M5, M6)																			
50	7900105 SERVICE COVER ASSY. (M5, M6)																			
51	7900107 SEALING PLATE (M5, M6)																			
52	6024489 PIPING FIXTURE (M5, M6)																			
53	6023927 MOTOR COVER (CAP) (M5, M6)																			
54	7900108 MOTOR COVER ASSY. (M5, M6)																			
55	6023946 RUBBER GROMMET (M5, M6)																			

FTXN18NMVJU / FTXN24NMVJU



Picture Key	
Ref #	Picture #
1	B1
2	B1-1
3	B1-2
4	B1-3
5	B1-4
6	B1-5
7	B1-6
8	B1-12
9	B1-13
10	B1-14
11	B2
12	C1
13	C2
14	C2-1
15	C3
16	C4
17	C4-1
18	E1
19	E2
20	E3
21	E3
22	E4
23	E5
24	E6
25	E7
26	E8
27	E9
28	E10
29	E10-1
30	E10-2
31	E11
32	E12
33	E13
34	E14
35	E15
36	E16
37	E17
38	E18
39	E19
40	F1
41	F1-2
42	F1-2-1
43	F1-4
44	F1-5
45	F1-5-1
46	F1-5-2
47	F1-5-3
48	F1-6
49	F1-6-1
50	F1-6-2
51	F1-7
52	F1-8
53	F1-9
54	F1-10
55	F1-11
56	F1-12
57	F1-13
58	F1-14
59	F1-15
60	F2
61	F4
62	F4-1
63	F4-2
64	F7
65	F9
66	F11
67	F12
68	F13
69	F14
70	F15
71	F17
72	K1
73	K2
74	K3
75	K4
76	K5
77	K6
78	K7
79	K8

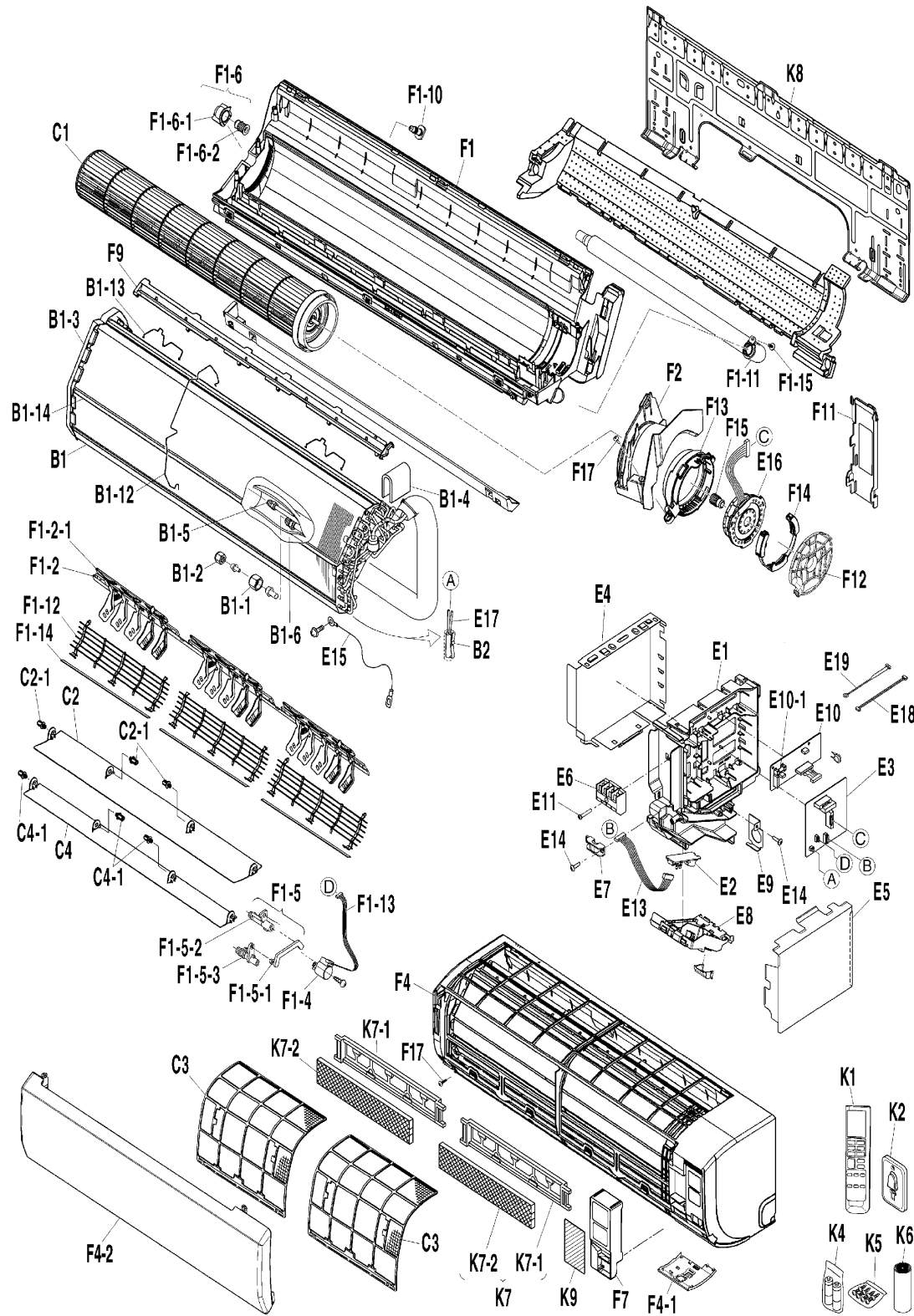
Ref. Part No: No:	Description:	Ref. Part No: No:	Description:																	
Image 1:		Image 1:																		
1	6024910 HEAT EXCHANGER ASSY. (M7)	56	6024984 FAN GUARD ASSY. (M7, M8)																	
1	6024911 HEAT EXCHANGER ASSY. (M8)	57	6024923 WIRE HARNESS ASSY. (FOR STM) (M7, M8)																	
2	119849J FLARE NUT (M7)	58	6024985 SEALING MATERIAL (M7, M8)																	
2	119850J FLARE NUT (M8)	59	170429J TAPPING SCREW (M7, M8)																	
3	1723546 FLARE NUT (M7, M8)	60	6024924 SIDE PANEL (RIGHT) (M7, M8)																	
4	6024912 SIDE PANEL (LEFT) (M7, M8)	61	6024925 FRONT GRILLE ASSY. (M7, M8)																	
5	6024965 PUTTY (M7, M8)	62	6024926 CONTROL PANEL ASSY. (M7, M8)																	
6	7900089 SINGLE UNION JOINT (M7)	63	6024986 PANEL ASSY. (M7, M8)																	
7	6024966 SINGLE UNION JOINT (M7)	64	6024987 SERVICE COVER ASSY. (M7, M8)																	
7	6024967 SINGLE UNION JOINT (M8)	65	6024988 SEALING PLATE (TOP) (M7, M8)																	
8	6024968 WIRE SPRING (M7, M8)	66	6024989 PIPING FIXTURE (M7, M8)																	
9	7900113 WIRE SPRING (M7, M8)	67	6024990 MOTOR COVER (CAP) (M7, M8)																	
10	4009439 SEALING PLATE (H/E BENDING) (M7, M8)	68	6024991 MOTOR COVER ASSY. (M7, M8)																	
11	380120J FITTING SPRING/ THERMISTOR (M7, M8)	69	6023946 RUBBER GROMMET (M7, M8)																	
12	6024927 CROSS FLOW FAN ASSY. (M7, M8)	70	146817J VIBRATION ISOLATOR (M7, M8)																	
13	6024913 DISCH. GRILLE HOR. BLADE (1) (M7, M8)	71	121650J GROUNDING TERMINAL (M7, M8)																	
14	6004993 SHAFT (M7, M8)	72	NA OPERATION MANUAL (M7, M8)																	
15	6024914 AIR FILTER (M7, M8)	73	6024909 REMOTE CONTROLLER ASSY. (M7, M8)																	
16	6024969 DISCH. GRILLE HOR. BLADE (2) (M7, M8)	74	7900110 REMOTE CONTROLLER HOLDER (M7, M8)																	
17	6004993 SHAFT (M7, M8)	75	NA BATTERY PACK ASSY. (M7, M8)																	
18	6024970 SWITCH BOX (M7, M8)	76	NA SCREW PACK (M7, M8)																	
19	6024915 PRINTED CIRCUIT ASSY. (DISPLAY) (M7, M8)	77	1782381 ANTISWEAT MATERIAL (HEAT INSULATION) (M7, M8)																	
20	6024971 PRINTED CIRCUIT ASSY. (M8)	78	NA CAUTION LABEL (ELECTRIC SHOCK) (M7, M8)																	
21	6024993 PRINTED CIRCUIT ASSY. (M7)	79	6024992 INSTALLATION PLATE (M7, M8)																	
22	6024973 SHIELD PLATE (1) (M7, M8)	Expanded Model Nomenclature																		
23	6024974 SHIELD PLATE (2) (M7, M8)	<table border="1"> <tr><td>M1 - FTKN09NMVJU</td></tr> <tr><td>M2 - FTKN12NMVJU</td></tr> <tr><td>M3 - FTKN18NMVJU</td></tr> <tr><td>M4 - FTKN24NMVJU</td></tr> <tr><td>M5 - FTXN09NMVJU</td></tr> <tr><td>M6 - FTXN12NMVJU</td></tr> <tr><td>M7 - FTXN18NMVJU</td></tr> <tr><td>M8 - FTXN24NMVJU</td></tr> <tr><td>M9 - FTX09NMVJU</td></tr> <tr><td>M10 - FTX12NMVJU</td></tr> <tr><td>M11 - FTX15NMVJU</td></tr> <tr><td>M12 - FTX18NMVJU</td></tr> <tr><td>M13 - FTX24NMVJU</td></tr> <tr><td>M14 - FTK09NMVJU</td></tr> <tr><td>M15 - FTK12NMVJU</td></tr> <tr><td>M16 - FTK18NMVJU</td></tr> <tr><td>M17 - FTK24NMVJU</td></tr> </table>		M1 - FTKN09NMVJU	M2 - FTKN12NMVJU	M3 - FTKN18NMVJU	M4 - FTKN24NMVJU	M5 - FTXN09NMVJU	M6 - FTXN12NMVJU	M7 - FTXN18NMVJU	M8 - FTXN24NMVJU	M9 - FTX09NMVJU	M10 - FTX12NMVJU	M11 - FTX15NMVJU	M12 - FTX18NMVJU	M13 - FTX24NMVJU	M14 - FTK09NMVJU	M15 - FTK12NMVJU	M16 - FTK18NMVJU	M17 - FTK24NMVJU
M1 - FTKN09NMVJU																				
M2 - FTKN12NMVJU																				
M3 - FTKN18NMVJU																				
M4 - FTKN24NMVJU																				
M5 - FTXN09NMVJU																				
M6 - FTXN12NMVJU																				
M7 - FTXN18NMVJU																				
M8 - FTXN24NMVJU																				
M9 - FTX09NMVJU																				
M10 - FTX12NMVJU																				
M11 - FTX15NMVJU																				
M12 - FTX18NMVJU																				
M13 - FTX24NMVJU																				
M14 - FTK09NMVJU																				
M15 - FTK12NMVJU																				
M16 - FTK18NMVJU																				
M17 - FTK24NMVJU																				
24	1907786 TERMINAL BLOCK (M7, M8)																			
25	0812847 WIRE CLAMP (M7, M8)																			
26	6024975 INDICATION LAMP COVER (M7, M8)																			
27	6024958 CONDUIT MOUNTING PLATE (M7, M8)																			
28	6024916 PRINTED CIRCUIT ASSY. (FILTER) (M7, M8)																			
29	153875J FUSE (M7, M8)																			
30	113954J VARISTOR (M7, M8)																			
31	174888J PAN HEAD TAPPING SCREW (M7, M8)																			
32	6024976 OPERATION SIGN COVER (INFRARED) (M7, M8)																			
33	6024917 WIRE HARNESS (INDICATION LAMP) (M7, M8)																			
34	121650J GROUNDING TERMINAL (M7, M8)																			
35	6024959 EARTH WIRE (M7, M8)																			
36	6024918 FAN MOTOR STATOR (M7, M8)																			
37	6024919 THERMISTOR (M7, M8)																			
38	6024920 WIRE HARNESS ASSY. (POWER SOURCE) (M7, M8)																			
39	6024921 WIRE HARNESS ASSY. (FG) (M7, M8)																			
40	6024922 BOTTOM FRAME ASSY. (M7, M8)																			
41	6024977 AIR OUTLET (STABILIZER) ASSY. (M7, M8)																			
42	6024978 DISCH. GRILLE VERT. BLADE (M7, M8)																			
43	179743J STEPPING MOTOR (M7, M8)																			
44	6024979 SHAFT (LINK) ASSY. (M7, M8)																			
45	6024980 DISCH. GRILLE HOR. BLADE SUPPORT (M7, M8)																			
46	1327722 LINK/ HORIZONTAL VANE (2) (M7, M8)																			
47	1327739 LINK/ HORIZONTAL VANE (3) (M7, M8)																			
48	7900101 FAN BEARING VIBRATION ABSORBER (M7, M8)																			
49	6023926 BEARING MOUNTING PLATE (M7, M8)																			
50	156867J VIBRATION ABSORBER/ FAN BEARING (M7, M8)																			
51	6024981 THERMAL INSULATION (REAR) 1 (M7, M8)																			
52	6024982 THERMAL INSULATION (REAR) 2 (M7, M8)																			
53	6024983 THERMAL INSULATION (FRONT) (M7, M8)																			
54	066228J DRAIN PLUG (M7, M8)																			
55	6015490 DRAIN HOSE (M7, M8)																			



Picture Key

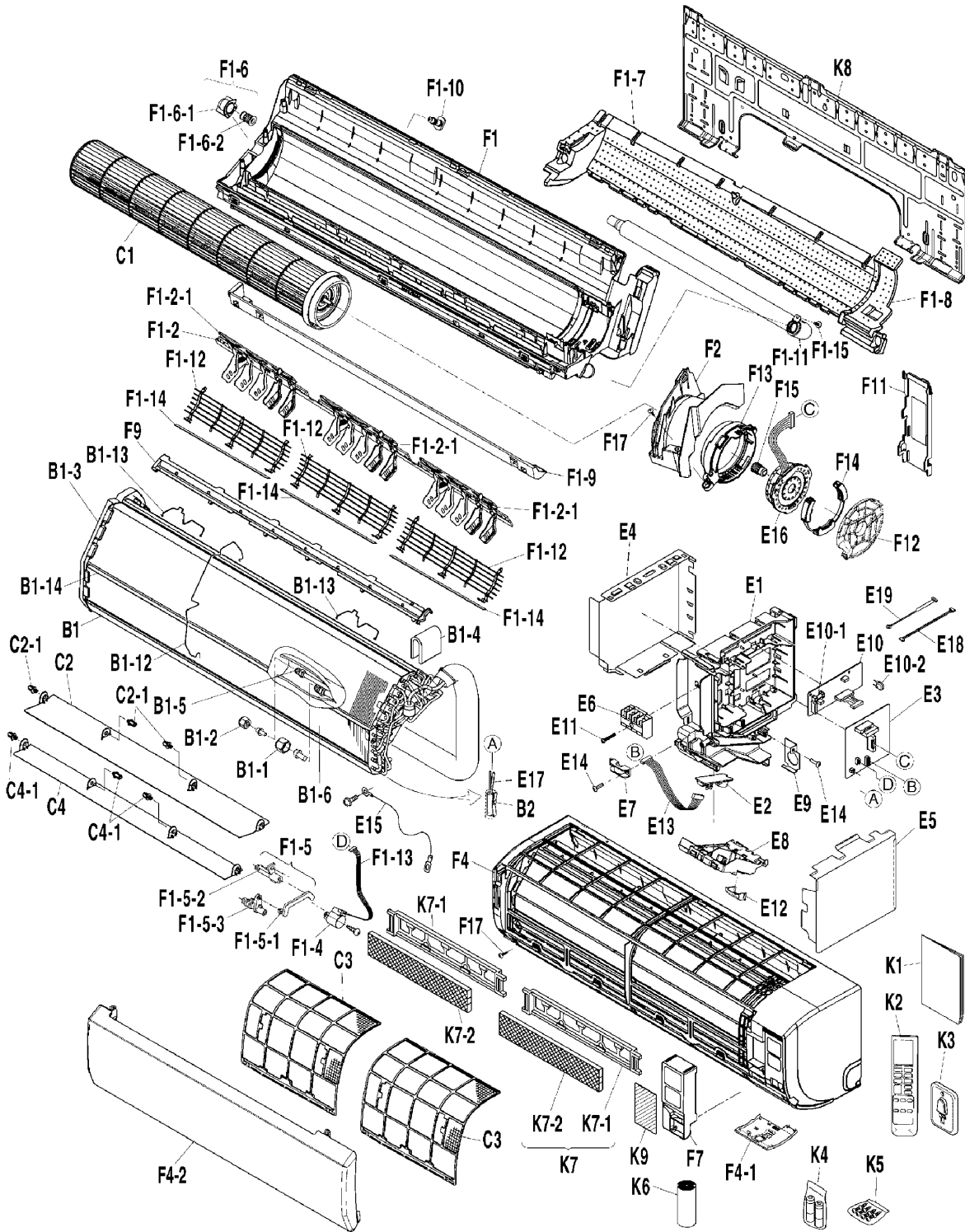
Ref #	Picture #
1	B1
2	B1-1
3	B1-2
4	B1-3
5	B1-4
6	B1-5
7	B1-6
8	B1-7
9	B1-8
10	B2
11	C1
12	C2
13	C2-1
14	C3
15	E1
16	E2
17	E3
17	E3
18	E3-1
19	E3-2
20	E4
21	E5
22	E6
23	E7
24	E8
25	E9
26	E11
27	E12
28	E13
29	E14
30	E15
31	E16
32	E17
33	F1
34	F1-2
35	F1-2-1
36	F1-4
37	F1-5
38	F1-6
39	F1-6-1
40	F1-6-2
41	F1-8
42	F1-9
43	F1-10
44	F1-11
45	F1-12
46	F1-15
47	F2
48	F4
49	F4-2
50	F7
51	F9
52	F11
53	F12
54	F13
55	F14
56	F15
57	F17
58	F18
59	K1
60	K2
61	K3
62	K4
63	K5
64	K6
65	K7
66	K7-1
67	K8
68	K9

Ref. Part No: No:	Description:	Ref. Part No: No:	Description:																	
Image 1:		Image 1:																		
1	6024907 HEAT EXCHANGER ASSY. (M9)	58	7900109 INDICATION LABEL (M9, M10)																	
1	6025018 HEAT EXCHANGER ASSY. (M10)	59	NA OPERATION MANUAL (M9, M10)																	
2	119848J FLARE NUT (M9, M10)	60	6025006 REMOTE CONTROLLER ASSY. (M9, M10)																	
3	1723546 FLARE NUT (M9, M10)	61	7900110 REMOTE CONTROLLER HOLDER (M9, M10)																	
4	6023913 SIDE PLATE (LEFT) (M9, M10)	62	NA BATTERY PACK ASSY. (M9, M10)																	
5	2221168 PUTTY (M10)	63	NA SCREW PACK (M9, M10)																	
6	7900089 SINGLE UNION JOINT (M9, M10)	64	1782381 ANTISWEAT MATERIAL (HEAT INSULATION) (M9, M10)																	
7	7900090 SINGLE UNION JOINT (M9, M10)	65	NA AIR FILTER ASSY. (PACK) (M9, M10)																	
8	6024955 PUTTY (M10)	66	1840489 PHOTOCATALYST FILTER ASSY. (M9, M10)																	
9	7900113 WIRE SPRING (M10)	67	7900111 INSTALLATION PLATE (M9, M10)																	
10	380120J FITTING SPRING/ THERMISTOR (M10)	68	NA CAUTION LABEL (ELECTRIC SHOCK) (M9, M10)																	
11	2217758 CROSS FLOW FAN ASSY. (M9, M10)	Expanded Model Nomenclature																		
12	7900092 DISCH. GRILLE HOR. BLADE ASSY. (M9, M10)	<table border="1"> <tr><td>M1 - FTKN09NMVJU</td></tr> <tr><td>M2 - FTKN12NMVJU</td></tr> <tr><td>M3 - FTKN18NMVJU</td></tr> <tr><td>M4 - FTKN24NMVJU</td></tr> <tr><td>M5 - FTXN09NMVJU</td></tr> <tr><td>M6 - FTXN12NMVJU</td></tr> <tr><td>M7 - FTXN18NMVJU</td></tr> <tr><td>M8 - FTXN24NMVJU</td></tr> <tr><td>M9 - FTX09NMVJU</td></tr> <tr><td>M10 - FTX12NMVJU</td></tr> <tr><td>M11 - FTX15NMVJU</td></tr> <tr><td>M12 - FTX18NMVJU</td></tr> <tr><td>M13 - FTX24NMVJU</td></tr> <tr><td>M14 - FTK09NMVJU</td></tr> <tr><td>M15 - FTK12NMVJU</td></tr> <tr><td>M16 - FTK18NMVJU</td></tr> <tr><td>M17 - FTK24NMVJU</td></tr> </table>		M1 - FTKN09NMVJU	M2 - FTKN12NMVJU	M3 - FTKN18NMVJU	M4 - FTKN24NMVJU	M5 - FTXN09NMVJU	M6 - FTXN12NMVJU	M7 - FTXN18NMVJU	M8 - FTXN24NMVJU	M9 - FTX09NMVJU	M10 - FTX12NMVJU	M11 - FTX15NMVJU	M12 - FTX18NMVJU	M13 - FTX24NMVJU	M14 - FTK09NMVJU	M15 - FTK12NMVJU	M16 - FTK18NMVJU	M17 - FTK24NMVJU
M1 - FTKN09NMVJU																				
M2 - FTKN12NMVJU																				
M3 - FTKN18NMVJU																				
M4 - FTKN24NMVJU																				
M5 - FTXN09NMVJU																				
M6 - FTXN12NMVJU																				
M7 - FTXN18NMVJU																				
M8 - FTXN24NMVJU																				
M9 - FTX09NMVJU																				
M10 - FTX12NMVJU																				
M11 - FTX15NMVJU																				
M12 - FTX18NMVJU																				
M13 - FTX24NMVJU																				
M14 - FTK09NMVJU																				
M15 - FTK12NMVJU																				
M16 - FTK18NMVJU																				
M17 - FTK24NMVJU																				
13	6004993 SHAFT (M9, M10)																			
14	7900093 AIR FILTER (M9, M10)																			
15	6024480 SWITCH BOX (M9, M10)																			
16	7900094 PRINTED CIRCUIT ASSY. (M9)																			
17	6025019 PRINTED CIRCUIT ASSY. (M10)																			
18	6025020 PRINTED CIRCUIT ASSY. (M9)																			
17	153875J FUSE (M9, M10)																			
19	113954J VARISTOR (M9, M10)																			
20	6024481 SHIELD PLATE (1) (M9, M10)																			
21	6024484 SHIELD PLATE (2) (M9, M10)																			
22	1907786 TERMINAL BLOCK (M9, M10)																			
23	0812847 WIRE CLAMP (M9, M10)																			
24	6024482 COVER/ INDICATION LAMP (M9, M10)																			
25	6024958 CONDUIT MOUNTING PLATE (M9, M10)																			
26	174888J PAN HEAD TAPPING SCREW (M9, M10)																			
27	6024483 COVER/ OPERATION SIGN (INFRARED) (M9, M10)																			
28	2218720 WIRE HARNESS (INDICATION LAMP) (M9, M10)																			
29	121650J TRUSS HEAD TAPPING SCREW (M9, M10)																			
30	6024959 EARTH WIRE (M9, M10)																			
31	6024960 FAN MOTOR STATOR (M9, M10)																			
32	6023935 THERMISTOR (M9, M10)																			
33	6024961 BOTTOM FRAME ASSY. (M9, M10)																			
34	7900099 AIR OUTLET (STABILIZER) ASSY. (M9, M10)																			
35	6024962 DISCH. GRILLE VERT. BLADE (M9, M10)																			
36	6023959 STEP MOTOR (M9, M10)																			
37	6023945 ROD (M9, M10)																			
38	7900101 FAN BEARING VIBRATION ABSORBER (M9, M10)																			
39	6023926 BEARING MOUNTING PLATE (M9, M10)																			
40	156867J VIBRATION ABSORBER/ FAN BEARING (M9, M10)																			
41	7900102 THERMAL INSULATION (M9, M10)																			
42	7900103 THERMAL INSULATION ASSY. (M9, M10)																			
43	066228J DRAIN PLUG (M9, M10)																			
44	6015490 DRAIN HOSE (M9, M10)																			
45	7900104 FAN GUARD ASSY. (M9, M10)																			
46	170429J CROSS-RECESSED PAN HEAD TAPPIN (M9, M10)																			
47	7900022 SIDE PLATE (RIGHT) (M9, M10)																			
48	6024908 FRONT GRILLE ASSY. (M9, M10)																			
49	7900024 PANEL ASSY. (M9, M10)																			
50	7900105 SERVICE COVER ASSY. (M9, M10)																			
51	7900107 SEALING PLATE (M9, M10)																			
52	6024489 PIPING FIXTURE (M9, M10)																			
53	6023927 MOTOR COVER (CAP) (M9, M10)																			
54	7900108 MOTOR COVER ASSY. (M9, M10)																			
55	6023946 RUBBER GROMMET (M9, M10)																			
56	146817J VIBRATION ISOLATOR (M9, M10)																			
57	121650J TRUSS HEAD TAPPING SCREW (M9, M10)																			



Picture Key	
Ref #	Picture #
1	B1
2	B1-1
3	B1-2
4	B1-3
5	B1-4
6	B1-5
7	B1-6
8	B1-12
9	B1-13
10	B1-14
11	B2
12	C1
13	C2
14	C2-1
15	C3
16	C4
17	C4-1
18	E1
19	E2
20	E3
21	E4
22	E5
23	E6
24	E7
25	E8
26	E9
27	E10
28	E10-1
29	E11
30	E13
31	E14
32	E15
33	E16
34	E17
35	E18
36	E19
37	F1
38	F1-2
39	F1-2-1
40	F1-4
41	F1-5
42	F1-5-1
43	F1-5-2
44	F1-5-3
45	F1-6
46	F1-6-1
47	F1-6-2
48	F1-10
49	F1-11
50	F1-12
51	F1-13
52	F1-14
53	F1-15
54	F2
55	F4
56	F4-1
57	F4-2
58	F7
59	F9
60	F11
61	F12
62	F13
63	F14
64	F15
65	F17
66	K1
67	K2
68	K4
69	K5
70	K6
71	K7
72	K7-1
73	K7-2
74	K8
75	K9

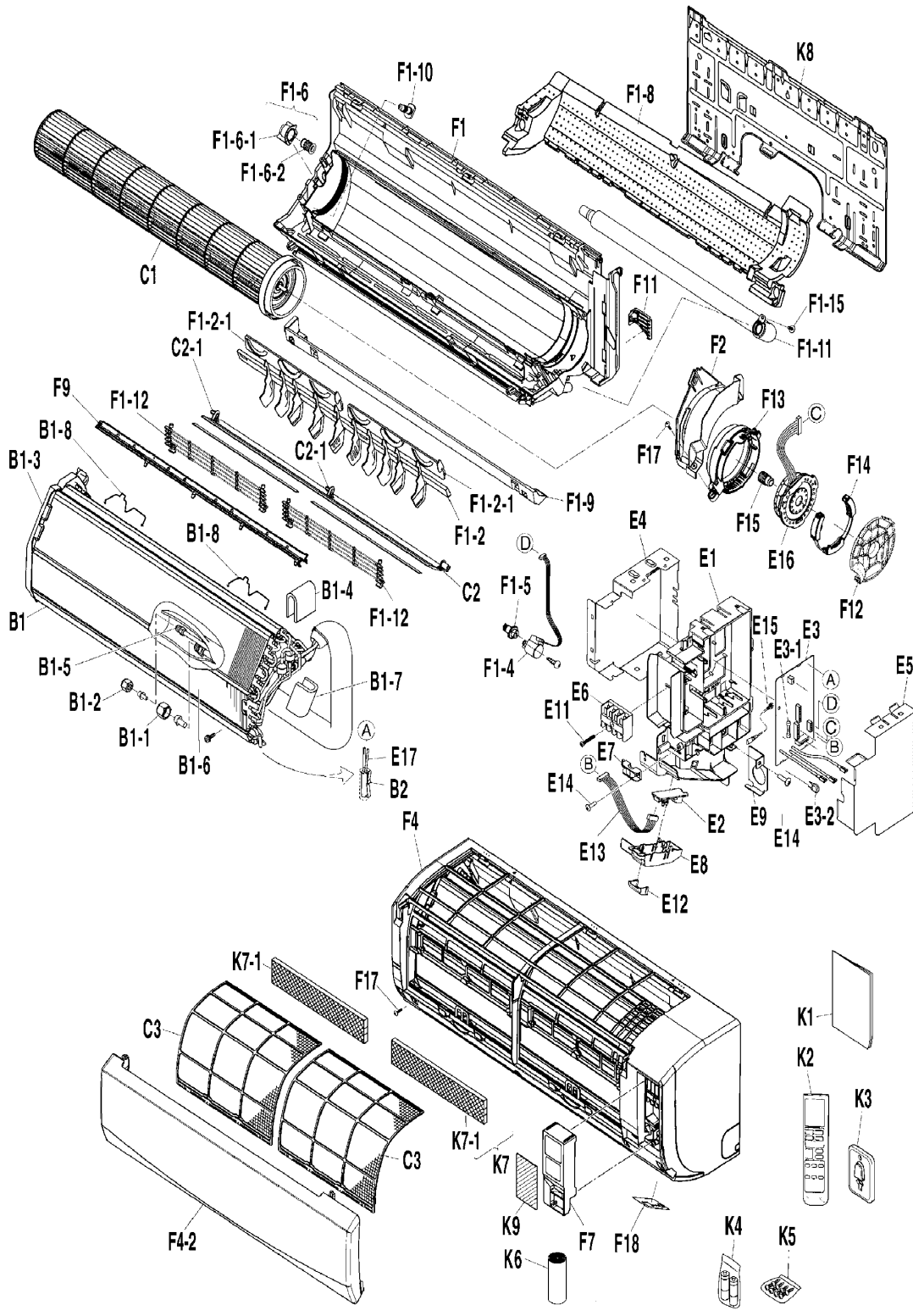
FTX18NMVJU / FTX24NMVJU



Picture Key

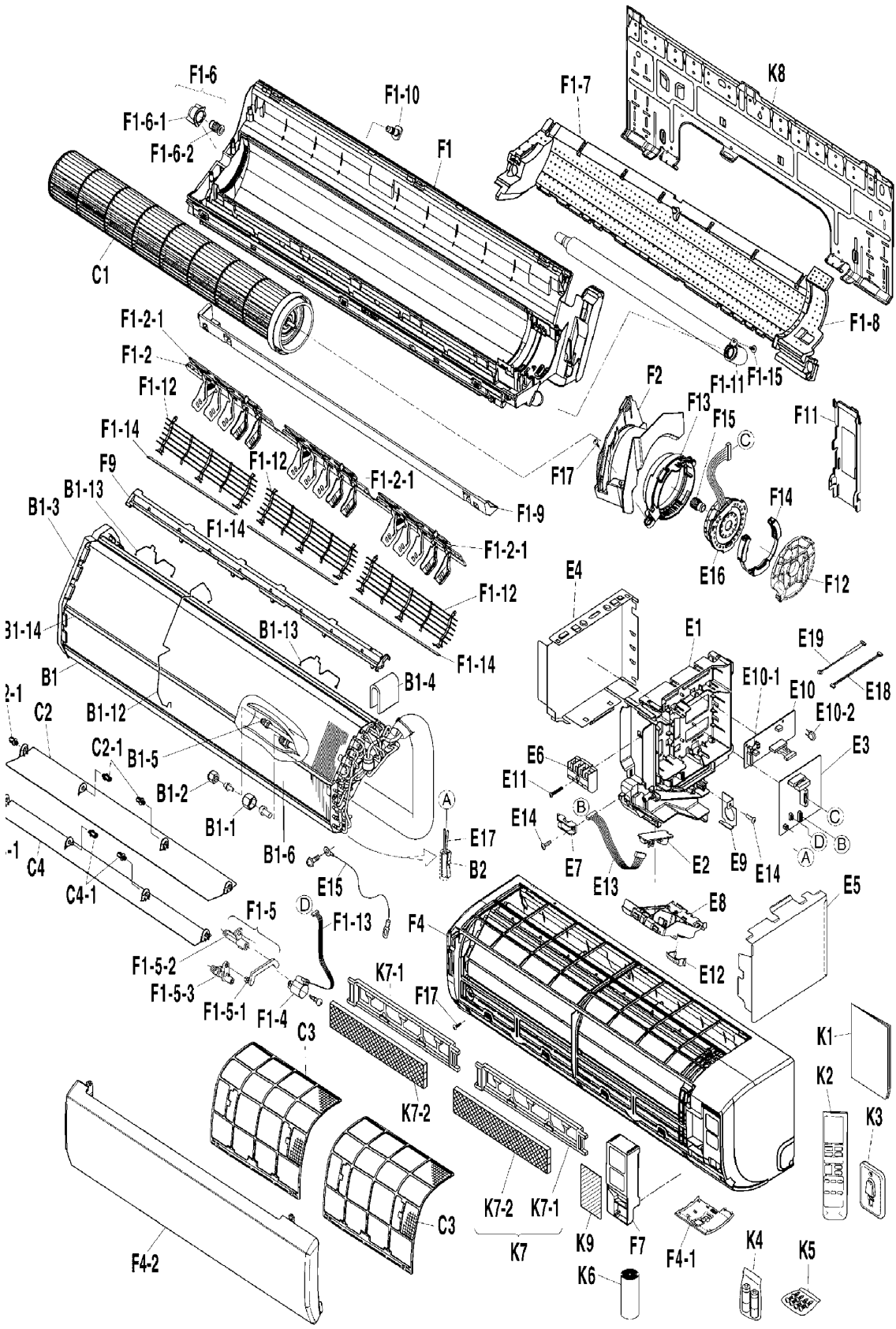
Ref #	Picture #
1	B1
2	B1-1
3	B1-2
4	B1-3
5	B1-4
6	B1-5
7	B1-6
8	B1-12
9	B1-13
10	B1-14
11	B2
12	C1
13	C2
14	C2-1
15	C3
16	C4
17	C4-1
18	E1
19	E2
20	E3
21	E4
22	E5
23	E6
24	E7
25	E8
26	E9
27	E10
28	E10-1
29	E10-2
30	E11
31	E12
32	E13
33	E14
34	E15
35	E16
36	E17
37	E18
38	E19
39	F1
40	F1-2
41	F1-2-1
42	F1-4
43	F1-5
44	F1-5-1
45	F1-5-2
46	F1-5-3
47	F1-6
48	F1-6-1
49	F1-6-2
50	F1-7
51	F1-8
52	F1-9
53	F1-10
54	F1-11
55	F1-12
56	F1-13
57	F1-14
58	F1-15
59	F2
60	F4
61	F4-1
62	F4-2
63	F7
64	F9
65	F11
66	F12
67	F13
68	F14
69	F15
70	F17
71	K1
72	K2
73	K3
74	K4
75	K5
76	K6
77	K7
78	K7-1
79	K7-2
80	K8
81	K9

Ref. Part No: No:	Description:	Ref. Part No: No:	Description:
Image 1:		Image 1:	
1	6024910 HEAT EXCHANGER ASSY. (M12)	51	6024982 THERMAL INSULATION (M12, M13)
1	6024911 HEAT EXCHANGER ASSY. (M13)	52	6024983 THERMAL INSULATION (M12, M13)
2	119849J FLARE NUT (M12)	53	066228J DRAIN PLUG (M12, M13)
2	119850J FLARE NUT (M13)	54	6015490 DRAIN HOSE (M12, M13)
3	1723546 FLARE NUT (M12, M13)	55	6024984 FAN GUARD ASSY. (M12, M13)
4	6024912 SIDE PANEL (LEFT) (M12, M13)	56	6024923 WIRE HARNESS ASSY. (FOR STM) (M12, M13)
5	6024965 PUTTY (M12, M13)	57	6024985 SEALING MATERIAL (M12, M13)
6	7900089 SINGLE UNION JOINT (M12, M13)	58	170429J CROSS-RECESSED PAN HEAD TAPPING (M12, M13)
7	6024966 SINGLE UNION JOINT (M12)		
7	6024967 SINGLE UNION JOINT (M13)	59	6024924 SIDE PANEL (RIGHT) (M12, M13)
8	6024968 WIRE SPRING (M12, M13)	60	6024925 FRONT GRILLE ASSY. (M12, M13)
9	7900113 WIRE SPRING (M12, M13)	61	6024926 CONTROL PANEL ASSY. (M12, M13)
10	4009439 SEALING PLATE (H/E BENDING) (M12, M13)	62	6024986 PANEL ASSY. (M12, M13)
11	380120J FITTING SPRING/ THERMISTOR (M12, M13)	63	6024987 SERVICE COVER ASSY. (M12, M13)
12	6024927 CROSS FLOW FAN ASSY. (M12, M13)	64	6024988 SEALING PLATE (TOP) (M12, M13)
13	6024913 DISCH. GRILLE HOR. BLADE (1) (M12, M13)	65	6024989 PIPING FIXTURE (M12, M13)
14	6004993 SHAFT (M12, M13)	66	6024990 MOTOR COVER (CAP) (M12, M13)
15	6024914 AIR FILTER (M12, M13)	67	6024991 MOTOR COVER ASSY. (M12, M13)
16	6024969 DISCH. GRILLE HOR. BLADE (2) (M12, M13)	68	6023946 RUBBER GROMMET (M12, M13)
17	6004993 SHAFT (M12, M13)	69	146817J VIBRATION ISOLATOR (M12, M13)
18	6024970 SWITCH BOX (M12, M13)	70	121650J TRUSS HEAD TAPPING SCREW (M12, M13)
19	6024915 PRINTED CIRCUIT ASSY. (DISPLAY) (M12, M13)	71	NA OPERATION MANUAL (M12, M13)
20	6025003 PRINTED CIRCUIT ASSY. (M12)	72	6025006 REMOTE CONTROLLER ASSY. (M12, M13)
20	6025004 PRINTED CIRCUIT ASSY. (M13)	73	7900110 REMOTE CONTROLLER HOLDER (M12, M13)
21	6024973 SHIELD PLATE (1) (M12, M13)	74	NA BATTERY PACK ASSY. (M12, M13)
22	6024974 SHIELD PLATE (2) (M12, M13)	75	NA SCREW PACK (M12, M13)
23	1907786 TERMINAL BLOCK (M12, M13)	76	1782381 ANTISWEAT MATERIAL (HEAT INSULATION) (M12, M13)
24	0812847 WIRE CLAMP (M12, M13)		
25	6024975 INDICATION LAMP COVER (M12, M13)	77	NA AIR FILTER ASSY. (M12, M13)
26	6024958 CONDUIT MOUNTING PLATE (M12, M13)	78	1597259 DUST COLLECTING ELEMENT FRAME (M12, M13)
27	6024916 PRINTED CIRCUIT ASSY. (FILTER) (M12, M13)	79	1840489 PHOTOCATALYST FILTER ASSY. (M12, M13)
28	153875J FUSE (M12, M13)	80	6024992 INSTALLATION PLATE (M12, M13)
29	113954J VARISTOR (M12, M13)	81	NA CAUTION LABEL (ELECTRIC SHOCK) (M12, M13)
30	174888J PAN HEAD TAPPING SCREW (M12, M13)		
31	6024976 OPERATION SIGN COVER (INFRARED) (M12, M13)		
32	6024917 WIRE HARNESS (INDICATION LAMP) (M12, M13)		
33	121650J TRUSS HEAD TAPPING SCREW (M12, M13)		
34	6024959 EARTH WIRE (M12, M13)		
35	6024918 FAN MOTOR STATOR (M12, M13)		
36	6024919 THERMISTOR ASSY. (M12, M13)		
37	6024920 WIRE HARNESS ASSY. (POWER SOURCE) (M12, M13)		
38	6024921 WIRE HARNESS ASSY. (FG) (M12, M13)		
39	6024922 BOTTOM FRAME ASSY. (M12, M13)		
40	6024977 AIR OUTLET (STABILIZER) ASSY. (M12, M13)		
41	6024978 DISCH. GRILLE VERT. BLADE (M12, M13)		
42	179743J STEPPING MOTOR (M12, M13)		
43	6024979 SHAFT (LINK) ASSY. (M12, M13)		
44	6024980 DISCH. GRILLE HOR. BLADE SUPPORT (M12, M13)		
45	1327722 LINK/ HORIZONTAL VANE (2) (M12, M13)		
46	1327739 LINK/ HORIZONTAL VANE (3) (M12, M13)		
47	7900101 FAN BEARING VIBRATION ABSORBER (M12, M13)		
48	6023926 BEARING MOUNTING PLATE (M12, M13)		
49	156867J VIBRATION ABSORBER/ FAN BEARING (M12, M13)		
50	6024981 THERMAL INSULATION (M12, M13)		
		Expanded Model Nomenclature	
		M1 - FTKN09NMVJU	
		M2 - FTKN12NMVJU	
		M3 - FTKN18NMVJU	
		M4 - FTKN24NMVJU	
		M5 - FTXN09NMVJU	
		M6 - FTXN12NMVJU	
		M7 - FTXN18NMVJU	
		M8 - FTXN24NMVJU	
		M9 - FTX09NMVJU	
		M10 - FTX12NMVJU	
		M11 - FTX15NMVJU	
		M12 - FTX18NMVJU	
		M13 - FTX24NMVJU	
		M14 - FTK09NMVJU	
		M15 - FTK12NMVJU	
		M16 - FTK18NMVJU	
		M17 - FTK24NMVJU	



Picture Key	
Ref #	Picture #
1	B1
2	B1-1
3	B1-2
4	B1-3
5	B1-4
6	B1-6
7	B1-7
8	B1-8
9	B2
10	C1
11	C2
12	C2-1
13	C3
14	E1
15	E11
16	E12
17	E13
18	E14
19	E15
20	E16
21	E17
22	E2
23	E3
24	E3-1
25	E3-2
26	E4
27	E5
28	E6
29	E7
30	E8
31	E9
32	F1
33	F11
34	F1-10
35	F1-11
36	F1-12
37	F1-15
38	F12
39	F1-2
40	F1-2-1
41	F13
42	F14
43	F14
44	F15
45	F1-5
46	F1-6
47	F1-6-1
48	F1-6-2
49	F17
50	F18
51	F1-8
52	F1-9
53	F2
54	F4
55	F4-2
56	F7
57	F9
58	K1
59	K2
60	K3
61	K4
62	K5
63	K6
64	K7
65	K7-1
66	K8
67	K9

Ref. Part No: No:	Description:	Ref. Part No: No:	Description:																	
Image 1:		Image 1:																		
1	6024907 HEAT EXCHANGER ASSY. (M14, M15)	55	7900024 PANEL ASSY. (M14, M15)																	
2	119848J FLARE NUT (M14, M15)	56	7900105 SERVICE COVER ASSY. (M14, M15)																	
3	1723546 FLARE NUT (M14, M15)	57	7900107 SEALING PLATE (M14, M15)																	
4	6023913 SIDE PLATE (LEFT) (M14, M15)	58	NA OPERATION MANUAL (M14, M15)																	
5	2221168 PUTTY (M15)	59	6025005 REMOTE CONTROLLER ASSY. (M14, M15)																	
5	7900089 SINGLE UNION JOINT (M14, M15)	60	7900110 REMOTE CONTROLLER HOLDER (M14, M15)																	
6	7900090 SINGLE UNION JOINT (M14, M15)	61	NA BATTERY PACK ASSY. (M14, M15)																	
7	6024955 PUTTY (M14)	62	NA SCREW PACK (M14, M15)																	
8	7900113 WIRE SPRING (M15)	63	1782381 ANTISWEAT MATERIAL (HEAT INSULATION) (M14, M15)																	
9	380120J FITTING SPRING/ THERMISTOR (M14, M15)	64	NA AIR FILTER ASSY. (PACK) (M14, M15)																	
10	2217758 CROSS FLOW FAN ASSY. (M14, M15)	65	1840489 PHOTOCATALYST FILTER ASSY. (M14, M15)																	
11	7900092 DISCH. GRILLE HOR. BLADE ASSY. (M14, M15)	66	7900111 INSTALLATION PLATE (M14, M15)																	
12	6004993 SHAFT (M14, M15)	67	NA CAUTION LABEL (ELECTRIC SHOCK) (M14, M15)																	
13	7900093 AIR FILTER (M14, M15)	Expanded Model Nomenclature																		
14	6024480 SWITCH BOX (M14, M15)	<table border="1"> <tr><td>M1 - FTKN09NMVJU</td></tr> <tr><td>M2 - FTKN12NMVJU</td></tr> <tr><td>M3 - FTKN18NMVJU</td></tr> <tr><td>M4 - FTKN24NMVJU</td></tr> <tr><td>M5 - FTXN09NMVJU</td></tr> <tr><td>M6 - FTXN12NMVJU</td></tr> <tr><td>M7 - FTXN18NMVJU</td></tr> <tr><td>M8 - FTXN24NMVJU</td></tr> <tr><td>M9 - FTX09NMVJU</td></tr> <tr><td>M10 - FTX12NMVJU</td></tr> <tr><td>M11 - FTX15NMVJU</td></tr> <tr><td>M12 - FTX18NMVJU</td></tr> <tr><td>M13 - FTX24NMVJU</td></tr> <tr><td>M14 - FTK09NMVJU</td></tr> <tr><td>M15 - FTK12NMVJU</td></tr> <tr><td>M16 - FTK18NMVJU</td></tr> <tr><td>M17 - FTK24NMVJU</td></tr> </table>		M1 - FTKN09NMVJU	M2 - FTKN12NMVJU	M3 - FTKN18NMVJU	M4 - FTKN24NMVJU	M5 - FTXN09NMVJU	M6 - FTXN12NMVJU	M7 - FTXN18NMVJU	M8 - FTXN24NMVJU	M9 - FTX09NMVJU	M10 - FTX12NMVJU	M11 - FTX15NMVJU	M12 - FTX18NMVJU	M13 - FTX24NMVJU	M14 - FTK09NMVJU	M15 - FTK12NMVJU	M16 - FTK18NMVJU	M17 - FTK24NMVJU
M1 - FTKN09NMVJU																				
M2 - FTKN12NMVJU																				
M3 - FTKN18NMVJU																				
M4 - FTKN24NMVJU																				
M5 - FTXN09NMVJU																				
M6 - FTXN12NMVJU																				
M7 - FTXN18NMVJU																				
M8 - FTXN24NMVJU																				
M9 - FTX09NMVJU																				
M10 - FTX12NMVJU																				
M11 - FTX15NMVJU																				
M12 - FTX18NMVJU																				
M13 - FTX24NMVJU																				
M14 - FTK09NMVJU																				
M15 - FTK12NMVJU																				
M16 - FTK18NMVJU																				
M17 - FTK24NMVJU																				
15	174888J PAN HEAD TAPPING SCREW (M14, M15)																			
16	6024483 COVER/ OPERATION SIGN (INFRARED) (M14, M15)																			
17	2218720 WIRE HARNESS (INDICATION LAMP) (M14, M15)																			
18	121650J TRUSS HEAD TAPPING SCREW (M14, M15)																			
19	6024959 EARTH WIRE (M14, M15)																			
20	6024960 FAN MOTOR STATOR (M14, M15)																			
21	6023935 THERMISTOR (M14, M15)																			
22	7900094 PRINTED CIRCUIT ASSY. (M14, M15)																			
23	6025019 PRINTED CIRCUIT ASSY. (M15)																			
23	6025020 PRINTED CIRCUIT ASSY. (M14)																			
24	153875J FUSE (M14, M15)																			
25	113954J VARISTOR (M14, M15)																			
26	6024481 SHIELD PLATE (1) (M14, M15)																			
27	6024484 SHIELD PLATE (2) (M14, M15)																			
28	1907786 TERMINAL BLOCK (M14, M15)																			
29	0812847 WIRE CLAMP (M14, M15)																			
30	6024482 COVER/ INDICATION LAMP (M14, M15)																			
31	6024958 CONDUIT MOUNTING PLATE (M14, M15)																			
32	6024961 BOTTOM FRAME ASSY. (M14, M15)																			
33	6024489 PIPING FIXTURE (M14, M15)																			
34	066228J DRAIN PLUG (M14, M15)																			
35	6015490 DRAIN HOSE (M14, M15)																			
36	7900104 FAN GUARD ASSY. (M14, M15)																			
37	170429J CROSS-RECESSED PAN HEAD TAPPIN (M14, M15)																			
38	6023927 MOTOR COVER (CAP) (M14, M15)																			
39	7900099 AIR OUTLET (STABILIZER) ASSY. (M14, M15)																			
40	6024962 DISCH. GRILLE VERT. BLADE (M14, M15)																			
41	7900108 MOTOR COVER ASSY. (M14, M15)																			
42	6023946 RUBBER GROMMET (M14, M15)																			
43	6023959 STEP MOTOR (M14, M15)																			
44	146817J VIBRATION ISOLATOR (M14, M15)																			
45	6023945 ROD (M14, M15)																			
46	7900101 FAN BEARING VIBRATION ABSORBER (M14, M15)																			
47	6023926 BEARING MOUNTING PLATE (M14, M15)																			
48	156867J VIBRATION ABSORBER/ FAN BEARING (M14, M15)																			
49	121650J TRUSS HEAD TAPPING SCREW (M14, M15)																			
50	7900109 INDICATION LABEL (M14, M15)																			
51	7900102 THERMAL INSULATION (M14, M15)																			
52	7900103 THERMAL INSULATION ASSY. (M14, M15)																			
53	7900022 SIDE PLATE (RIGHT) (M14, M15)																			
54	6024908 FRONT GRILLE ASSY. (M14, M15)																			



Picture Key

Ref #	Picture #
1	B1
2	B1-1
3	B1-12
4	B1-13
5	B1-14
6	B1-2
7	B1-3
8	B1-4
9	B1-5
10	B1-6
11	B2
12	C1
13	C2
14	C2-1
15	C3
16	C4
17	C4-1
18	E1
19	E10
20	E10-1
21	E10-2
22	E11
23	E12
24	E13
25	E14
26	E15
27	E16
28	E17
29	E18
30	E19
31	E2
32	E3
32	E3
33	E4
34	E5
35	E6
36	E7
37	E8
38	E9
39	F1
40	F11
41	F1-10
42	F1-11
43	F1-12
44	F1-13
45	F1-14
46	F1-15
47	F12
48	F1-2
49	F1-2-1
50	F13
51	F14
52	F1-4
53	F15
54	F1-5
55	F1-5-1
56	F1-5-2
57	F1-5-3
58	F1-6
59	F1-6-1
61	F1-6-2
62	F17
63	F1-7
64	F1-8
65	F1-9
66	F2
67	F4
68	F4-1
69	F4-2
70	F7
71	F9
72	K1
73	K2
74	K3
75	K4
76	K5
77	K6
78	K7
79	K7-1
80	K7-2
81	K8
82	K9

Ref. Part No: No:	Description:	Ref. Part No: No:	Description:
Image 1:		Image 1:	
1	6024910 HEAT EXCHANGER ASSY. (M16)	53	146817J VIBRATION ISOLATOR (M16, M17)
1	6024911 HEAT EXCHANGER ASSY. (M17)	54	6024979 SHAFT (LINK) ASSY. (M16, M17)
2	119849J FLARE NUT (M16)	55	6024980 DISCH. GRILLE HOR. BLADE SUPPORT (M16, M17)
2	119850J FLARE NUT (M17)	56	1327722 LINK/ HORIZONTAL VANE (2) (M16, M17)
3	6024968 WIRE SPRING (M16, M17)	57	1327739 LINK/ HORIZONTAL VANE (3) (M16, M17)
4	7900113 WIRE SPRING (M16, M17)	58	7900101 FAN BEARING VIBRATION ABSORBER (M16, M17)
5	4009439 SEALING PLATE (H/E BENDING) (M16, M17)	59	6023926 BEARING MOUNTING PLATE (M16, M17)
6	1723546 FLARE NUT (M16, M17)	61	156867J VIBRATION ABSORBER/ FAN BEARING (M16, M17)
7	6024912 SIDE PANEL (LEFT) (M16, M17)	62	121650J TRUSS HEAD TAPPING SCREW (M16, M17)
8	6024965 PUTTY (M16, M17)	63	6024981 THERMAL INSULATION (M16, M17)
9	7900089 SINGLE UNION JOINT (M16, M17)	64	6024982 THERMAL INSULATION (M16, M17)
10	6024966 SINGLE UNION JOINT (M16)	65	6024983 THERMAL INSULATION (M16, M17)
10	6024967 SINGLE UNION JOINT (M17)	66	6024924 SIDE PANEL (RIGHT) (M16, M17)
11	380120J FITTING SPRING/ THERMISTOR (M16, M17)	67	6024925 FRONT GRILLE ASSY. (M16, M17)
12	6024927 CROSS FLOW FAN ASSY. (M16, M17)	68	6024926 CONTROL PANEL ASSY. (M16, M17)
13	6024913 DISCH. GRILLE HOR. BLADE (1) (M16, M17)	69	6024986 PANEL ASSY. (M16, M17)
14	6004993 SHAFT (M16, M17)	70	6024987 SERVICE COVER ASSY. (M16, M17)
15	6024914 AIR FILTER (M16, M17)	71	6024988 SEALING PLATE (TOP) (M16, M17)
16	6024969 DISCH. GRILLE HOR. BLADE (2) (M16, M17)	72	NA OPERATION MANUAL (M16, M17)
17	6004993 SHAFT (M16, M17)	73	6025005 REMOTE CONTROLLER ASSY. (M16, M17)
18	6024970 SWITCH BOX (M16, M17)	74	7900110 REMOTE CONTROLLER HOLDER (M16, M17)
19	6024916 PRINTED CIRCUIT ASSY. (FILTER) (M16, M17)	75	NA BATTERY PACK ASSY. (M16, M17)
20	153875J FUSE (M16, M17)	76	NA SCREW PACK (M16, M17)
21	113954J VARISTOR (M16, M17)	77	1782381 ANTISWEAT MATERIAL (HEAT INSULATION) (M16, M17)
22	174888J PAN HEAD TAPPING SCREW (M16, M17)	78	NA AIR FILTER ASSY. (M16, M17)
23	6024976 OPERATION SIGN COVER (INFRARED) (M16, M17)	79	1597259 DUST COLLECTING ELEMENT FRAME (M16, M17)
24	6024917 WIRE HARNESS (INDICATION LAMP) (M16, M17)	80	1840489 PHOTOCATALYST FILTER ASSY. (M16, M17)
25	121650J TRUSS HEAD TAPPING SCREW (M16, M17)	81	6024992 INSTALLATION PLATE (M16, M17)
26	6024959 EARTH WIRE (M16, M17)	82	NA CAUTION LABEL (ELECTRIC SHOCK) (M16, M17)
27	6024918 FAN MOTOR STATOR (M16, M17)		
28	6024919 THERMISTOR ASSY. (M16, M17)		
29	6024920 WIRE HARNESS ASSY. (POWER SOURCE) (M16, M17)		
30	6024921 WIRE HARNESS ASSY. (FG) (M16, M17)		
31	6024915 PRINTED CIRCUIT ASSY. (DISPLAY) (M16, M17)		
32	6025003 PRINTED CIRCUIT ASSY. (M16)		
32	6025004 PRINTED CIRCUIT ASSY. (M17)		
33	6024973 SHIELD PLATE (1) (M16, M17)		
34	6024974 SHIELD PLATE (2) (M16, M17)		
35	1907786 TERMINAL BLOCK (M16, M17)		
36	0812847 WIRE CLAMP (M16, M17)		
37	6024975 INDICATION LAMP COVER (M16, M17)		
38	6024958 CONDUIT MOUNTING PLATE (M16, M17)		
39	6024922 BOTTOM FRAME ASSY. (M16, M17)		
40	6024989 PIPING FIXTURE (M16, M17)		
41	066228J DRAIN PLUG (M16, M17)		
42	6015490 DRAIN HOSE (M16, M17)		
43	6024984 FAN GUARD ASSY. (M16, M17)		
44	6024923 WIRE HARNESS ASSY. (FOR STM) (M16, M17)		
45	6024985 SEALING MATERIAL (M16, M17)		
46	170429J CROSS-RECESSED PAN HEAD TAPPING (M16, M17)		
47	6024990 MOTOR COVER (CAP) (M16, M17)		
48	6024977 AIR OUTLET (STABILIZER) ASSY. (M16, M17)		
49	6024978 DISCH. GRILLE VERT. BLADE (M16, M17)		
50	6024991 MOTOR COVER ASSY. (M16, M17)		
51	6023946 RUBBER GROMMET (M16, M17)		
52	179743J STEPPING MOTOR (M16, M17)		
			Expanded Model Nomenclature
			M1 - FTKN09NMVJU
			M2 - FTKN12NMVJU
			M3 - FTKN18NMVJU
			M4 - FTKN24NMVJU
			M5 - FTXN09NMVJU
			M6 - FTXN12NMVJU
			M7 - FTXN18NMVJU
			M8 - FTXN24NMVJU
			M9 - FTX09NMVJU
			M10 - FTX12NMVJU
			M11 - FTX15NMVJU
			M12 - FTX18NMVJU
			M13 - FTX24NMVJU
			M14 - FTK09NMVJU
			M15 - FTK12NMVJU
			M16 - FTK18NMVJU
			M17 - FTK24NMVJU