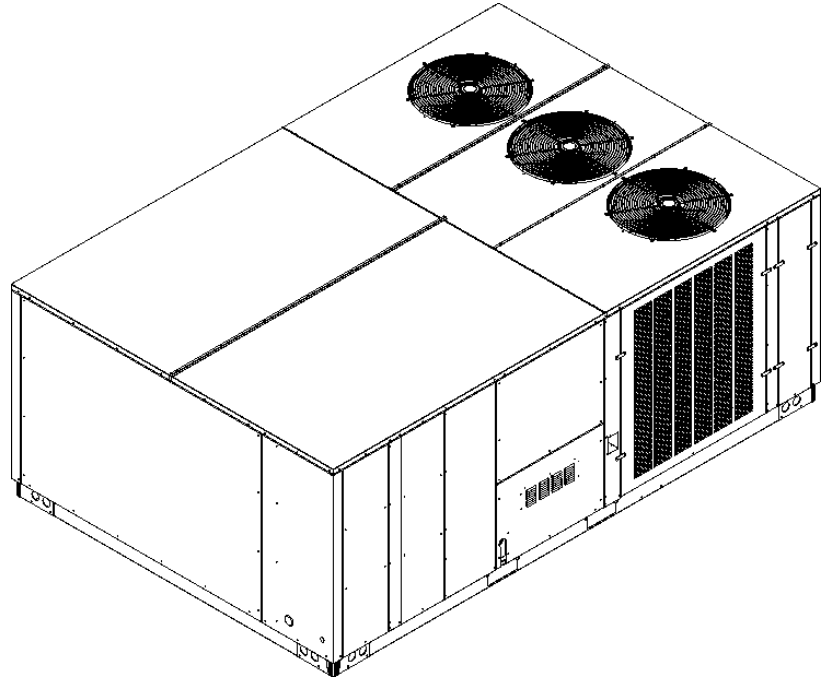


Commercial 20 Ton Package Gas Unit

DCG2404004BJXRAB
DCG2404003BAXAAA
DCG2404003BAXXAA
DCG2404003BHXBAA
DCG2404003BHXBAB
DCG2404003BJXAAA
DCG2404003BJXAAB
DCG2404003BJXNAA
DCG2404003BJXNAB
DCG2404003BXSDAA
DCG2404003BXSDAB
DCG2404003BXSXAA
DCG2404003BXSXAB
DCG2404003BXXBAA
DCG2404003BXXBAB
DCG2404003BXXXAA
DCG2404003BXXXAB
DCG2404004BAXXAB
DCG2404004BHXDAB
DCG2404004BHXNAB
DCG2404004BHXXAB
DCG2404004BJXGAB
DCG2404004BJXOAB
DCG2404004BXXQAB
DCG2404004BXXXAA
DCG2404004BXXXAB
DCG2404004BXXXAC
DCG2404007BXXXAA
DCG2404007BXXXAB



This manual is to be used by qualified technicians only.

This manual replaces RP-D1013J.

Important Information

Index

Functional Parts List	3
Illustration and Parts	4 - 25

Views shown are for parts illustrations only, not servicing procedures

Text Codes:

AR - As Required

NA - Not Available

NS - Not Shown

00000000 - See Note

QTY - Quantity Example (QTY 3) (If Quantity not shown, Quantity = 1)

M - Model Example (M1) (If M Code not shown, then part is used on all Models)

Expanded Model Nomenclature:

Example M1 - Model#1 M2 - Model#2 M3 - Model#3

Daikin Company, L.P. is not responsible for personal injury or property damage resulting from improper service. Review all service information before beginning repairs.

Warranty service must be performed by an authorized technician, using authorized factory parts. If service is required after the warranty expires, Daikin Company, L.P. also recommends contacting an authorized technician and using authorized factory parts.

Daikin Company, L.P. reserves the right to discontinue, or change at any time, specifications or designs without notice or without incurring obligations.

For assistance within the U.S.A. contact:

Consumer Affairs Department

Daikin North America, LLC

7401 Security Way

Houston, Texas 77040

855-770-5678-Telephone

713-863-2382-Facsimile

For assistance outside the U.S.A. contact:

International Division

Daikin North America, LLC

7401 Security Way

Houston, Texas 77040

713-861-2500-Telephone

713-863-2382-Facsimile

Functional Parts

Part

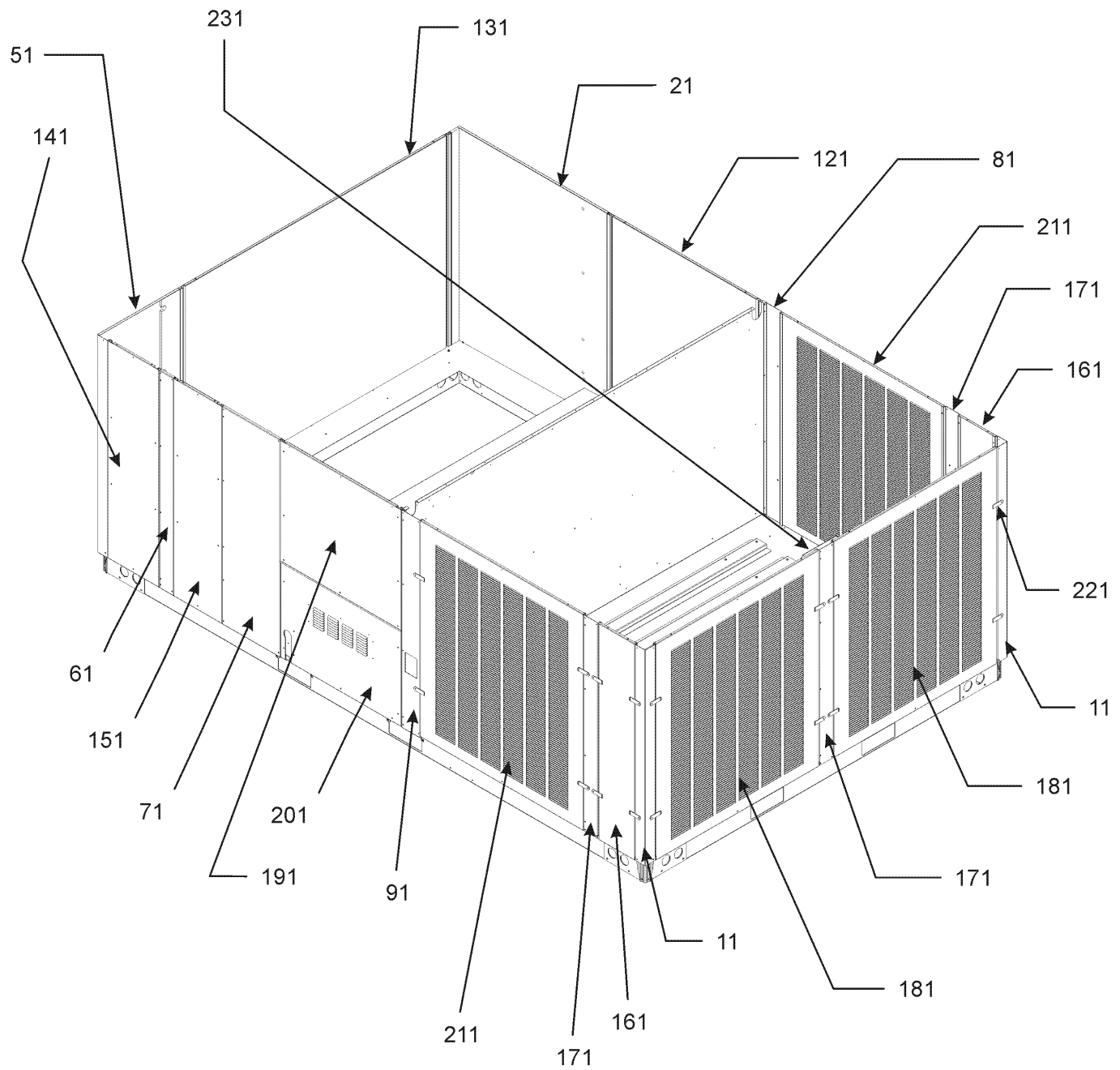
No: Description:

Part No:	Description:	Part No:	Description:
0271L00027	150-15R BD 1.44 TWIN BLOWER	0130M00146	TRANSFORMER 480V TO 230V, 150VA (M17, M18, M19, M20, M21, M22, M23, M24, M25, M26, M27)
0130M00025	24V RELAY (QTY 3)	0130M00145	TRANSFORMER 480V TO 24V, 75VA (M17, M18, M19, M20, M21, M22, M23, M24, M25, M26, M27)
0163L00000	BECKETT BURNER (QTY 8)	0130M00147	TRANSFORMER 575V TO 230V, 150VA (M28, M29)
CAP100000370LA	CAPACITOR 10/370V (M1, M2, M3, M4, M5, M6, M7, M8, M9, M10, M11, M12, M13, M14, M15, M16, M17, M18, M19, M20, M21, M22, M23, M24, M26, M27)	0130M00148	TRANSFORMER 575V TO 24V, 75VA (M28, M29)
CAP050000370LA	CAPACITOR 5/370V (M25, M28)	0131L00014	VENT MOTOR
CAP050000440LA	CAPACITOR 5/440V (M29)		
ZP122KCETFD155	COMP, 124000, 460/60/3 (M27)		
ZP122KCETF5250	COMP, 124000, 200/230/60/3 (M4, M6, M8, M10, M12, M14, M16)		
ZP120KCETFE155	COMPRESSOR 121,000, 575/60/3 (M28, M29)		
ZP120KCETF5250	COMPRESSOR 123,000, 200/230/60/3 (M1, M2, M3, M5, M7, M9, M11, M13, M15)		
ZP120KCETFD155	COMPRESSOR 123,000, 460/60/3 (M17, M18, M19, M20, M21, M22, M23, M24, M25, M26)		
0131M00430	COND MOTOR 1/3 HP, 1 SP, 6 PL (M1, M2, M3, M4, M5, M6, M7, M8, M9, M10, M11, M12, M13, M14, M15, M16)		
B13400249	COND MOTOR 1/3 HP, 460V (M25)		
0131M00179	COND MOTOR 1/3 HP, 6 PL, 575V (M28)		
0131M00500	COND MOTOR 1/3 HP, OD, LAK (M29)		
0131M00433	COND MOTOR 460/60 1/3 HP (M17, M18, M19, M20, M21, M22, M23, M24, M26, M27)		
0131M00274	COND MOTOR 5.0 HP (M1, M2, M3, M4, M5, M6, M7, M8, M9, M10, M11, M12, M13, M14, M15, M16, M17, M18, M19, M20, M21, M22, M23, M24, M25, M26, M27)		
CONT3P030024V	CONTACTOR 30 AMP, 3P, 24V		
CONT3P050024V	CONTACTOR 50 AMP, 3P, 24V (M1, M2, M3, M4, M5, M6, M7, M8, M9, M10, M11, M12, M13, M14, M15, M16)		
0130L00020	CRANK CASE HEATER, 90W, 240V (M1, M2, M3, M5, M7, M9, M11, M13, M15)		
0130L00021	CRANK CASE HEATER, 90W, 480V (M17, M18, M19, M20, M21, M22, M23, M24, M25, M26)		
0130L00022	CRANK CASE HEATER, 90W, 575V (M28, M29)		
0130L00017	CRANK CASE HEATER-70W 240V (M4, M6, M8, M10, M12, M14, M16)		
0130L00018	CRANK CASE HEATER-70W, 480V (M27)		
0130M00074	CUT-OUT SWITCH, HIGH PRESSURE		
0130M00074	CUT-OUT SWITCH, HIGH PRESSURE		
0130M00087	CUT-OUT SWITCH, LOW PRESSURE		
0130M00087	CUT-OUT SWITCH, LOW PRESSURE		
10625733	FAN BLADE 22" ALUM CCW (QTY 3)		
PCBAG123	IGNITION BOARD, DSI INTEGRATED		
0130M00064	LIMIT		
10123529	MANUAL RESET LIMIT-GREEN		
0131L00007	MOTOR-5 HP BELT DRIVE 575V 3P (M28, M29)		
0164L00005	NOTCHED FAN BELT BX46		
11112501	PRESSURE SWITCH		
20162903	PRIMARY LIMIT - BLUE		
0130M00038	TERMINAL BOARD		
0130M00144	TRANSFORMER (M1, M2, M3, M4, M5, M6, M7, M8, M9, M10, M11, M12, M13, M14, M15, M16)		

Expanded Model Nomenclature

M1 - DCG2404003BAXAAA
M2 - DCG2404003BAXXAA
M3 - DCG2404003BHXBAA
M4 - DCG2404003BHXBAB
M5 - DCG2404003BJXAAA
M6 - DCG2404003BJXAAB
M7 - DCG2404003BJXNAA
M8 - DCG2404003BJXNAB
M9 - DCG2404003BXSAAA
M10 - DCG2404003BXSAAA
M11 - DCG2404003BXSAAA
M12 - DCG2404003BXSAAA
M13 - DCG2404003BXSAAA
M14 - DCG2404003BXSAAA
M15 - DCG2404003BXSAAA
M16 - DCG2404003BXSAAA
M17 - DCG2404004BAXXAB
M18 - DCG2404004BHXXAB
M19 - DCG2404004BHXXAB
M20 - DCG2404004BHXXAB
M21 - DCG2404004BJXXAB
M22 - DCG2404004BJXXAB
M23 - DCG2404004BJXXAB
M24 - DCG2404004BXXQAB
M25 - DCG2404004BXXQAA
M26 - DCG2404004BXXQAB
M27 - DCG2404004BXXQAC
M28 - DCG2404007BXXAAA
M29 - DCG2404007BXXAAA

Cabinet Assembly



Cabinet Assembly

**Ref. Part
No: No:**

Description:

**Ref. Part
No: No:**

Description:

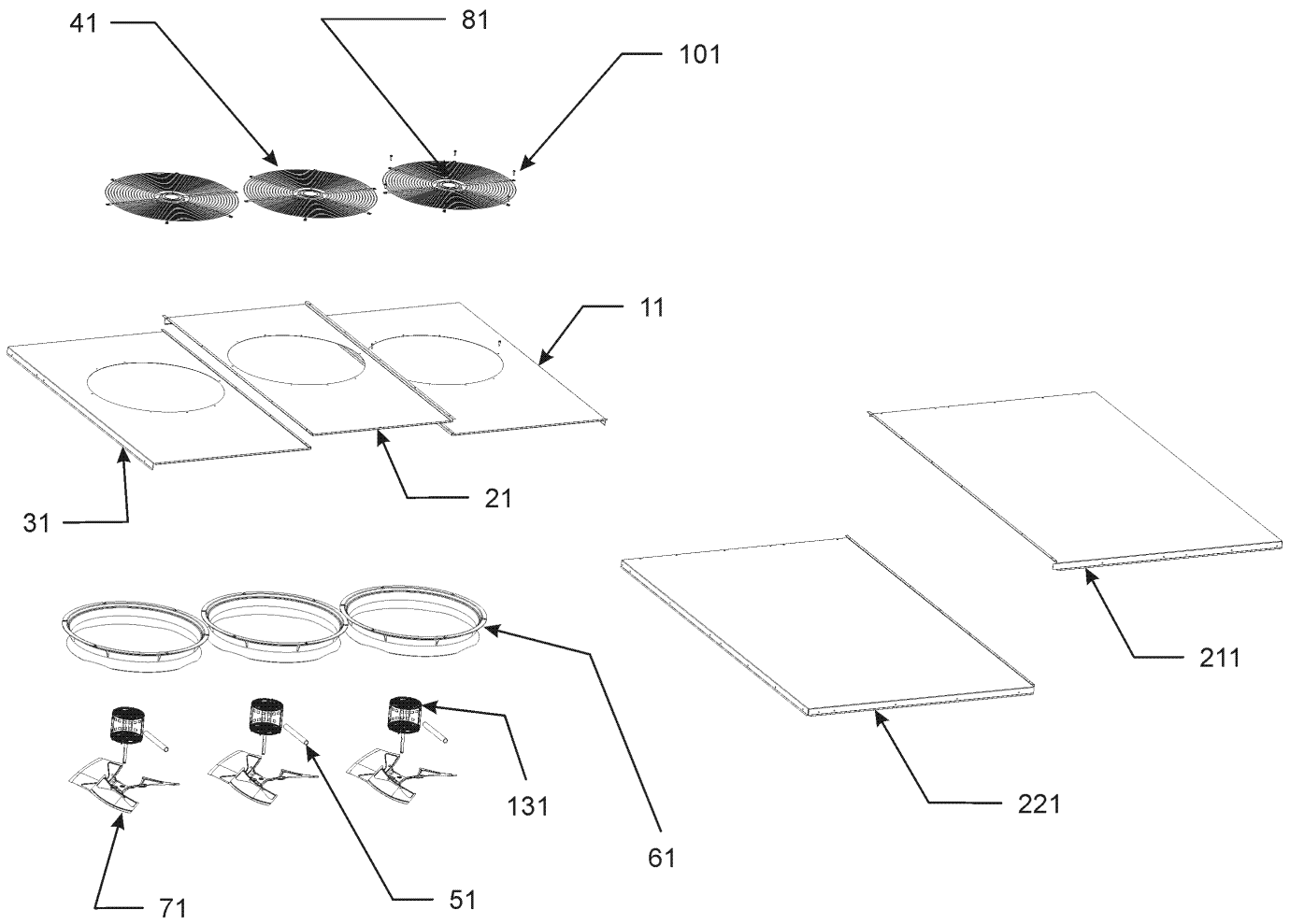
Image 1:

11	0121L01143NG	POST, CORNER (QTY 2)
21	0121L00681NG	PAINTED EVAP PANEL
51	0121L00679NG	CONTROL CORNER PANEL
61	0121L00673NG	CONTROL/FILTER POST
71	0121L00710NG	POST/BLOWER DOOR
81	0121L00903NG	POST PARTITION-EVAP SIDE
91	0121L00904NG	POST PARTITION-GAS FLUE
121	0121L00685NG	BLOWER DOOR-EVAP SIDE
131	0121L00688NG	ACCESSORY PANEL
141	0121L00687NG	CONTROL DOOR
151	0121L00686NG	FILTER DOOR
161	0121L00907NG	PANEL-COND SIDE (QTY 2)
171	0121L01144NG	POST, COND PANEL (QTY 3)
181	0121L01174NG	PANEL, LOUVER END PNT (QTY 2)
191	0121L00713NG	BLOWER DOOR-GAS SIDE
201	0121L00712NG	BURNERS DOOR
211	0152L00000	GRILLE-CONDENSER (QTY 2)
221	0121L00476NG	TURNBUCKLE DOOR (QTY 16)
231	0121L00580	CONDENSER POST BRACKET, CENTER
NS	0121L00562NG	HOOD-COMBUSTION AIR
NS	M0204317	SCREW-MACHINE (QTY 16)
NS	0121L00321	SMOKE DETECTOR COVER

Expanded Model Nomenclature

M1 - DCG2404003BAXAAA
M2 - DCG2404003BAXXAA
M3 - DCG2404003BHXBAA
M4 - DCG2404003BHXBAB
M5 - DCG2404003BJXAAA
M6 - DCG2404003BJXAAB
M7 - DCG2404003BJXNAA
M8 - DCG2404003BJXNAB
M9 - DCG2404003BXSDAA
M10 - DCG2404003BXSDAB
M11 - DCG2404003BXSXAA
M12 - DCG2404003BXSXAB
M13 - DCG2404003BXXBAA
M14 - DCG2404003BXXBAB
M15 - DCG2404003BXXXAA
M16 - DCG2404003BXXXAB
M17 - DCG2404004BAXXAB
M18 - DCG2404004BHXDAB
M19 - DCG2404004BHYNAB
M20 - DCG2404004BHXXAB
M21 - DCG2404004BJXGAB
M22 - DCG2404004BJXOAB
M23 - DCG2404004BJXRAB
M24 - DCG2404004BXXQAB
M25 - DCG2404004BXXXAA
M26 - DCG2404004BXXXAB
M27 - DCG2404004BXXXAC
M28 - DCG2404007BXXXAA
M29 - DCG2404007BXXXAB

Top Panel Assembly



Top Panel Assembly

Ref. Part No: No:	Description:	Ref. Part No: No:	Description:
-------------------	--------------	-------------------	--------------

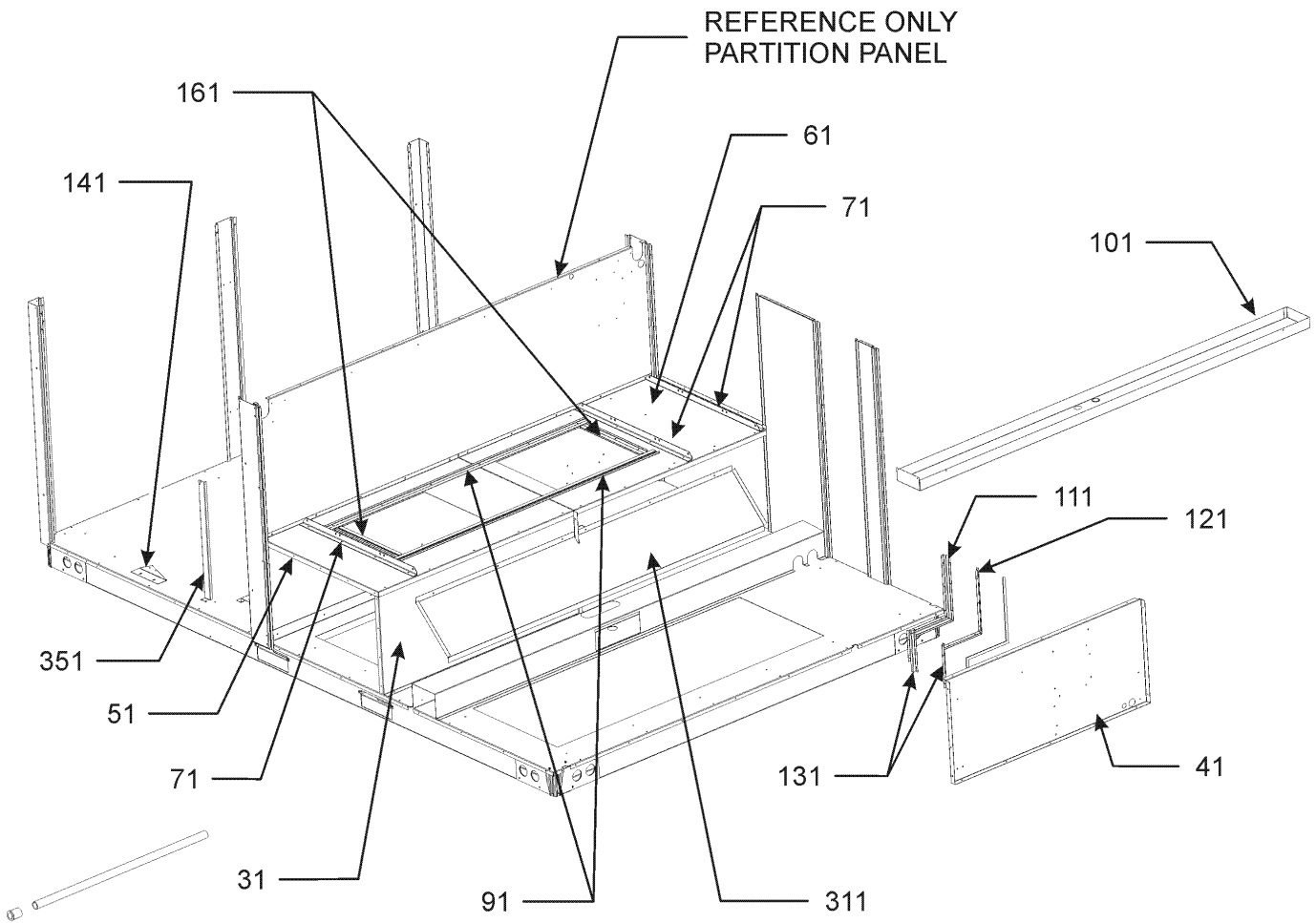
Image 1:

11	0121L01038NG	TOP-FAN,CONTROL SIDE
21	0121L01039NG	TOP-FAN, CENTER
31	0121L01040NG	TOP-FAN, EVAP SIDE
41	0152G00003	FAN GRILLE (QTY 3)
51	17788000083F	PVC CONDUIT 8.25" (QTY 3)
61	0161L00000	VENTURI RING 22" (QTY 3)
71	10625733	FAN BLADE 22" ALUM CCW (QTY 3)
81	0163M00006P	ACORN NUT 5/16 HEX BLACK (QTY 12)
101	0163M00004	SCREW #10X3/4", BLACK (QTY 24)
131	0131M00430	COND MOTOR 1/3 HP, 1 SP, 6 PL (M1, M2, M3, M4, M5, M6, M7, M8, M9, M10, M11, M12, M13, M14, M15, M16)
131	B13400249	COND MOTOR 1/3 HP, 460V (M25)
131	0131M00179	COND MOTOR 1/3 HP, 6 PL, 575V (M28)
131	0131M00500	COND MOTOR 1/3 HP, OD, LAK (M29)
131	0131M00433	COND MOTOR 460/60 1/3 HP (M17, M18, M19, M20, M21, M22, M23, M24, M26, M27)
211	0121L00693NG	TOP-CONTROL SIDE
221	0121L00694NG	TOP PANEL ASSY

Expanded Model Nomenclature

M1 - DCG2404003BAXAAA
M2 - DCG2404003BAXXAA
M3 - DCG2404003BHXBAA
M4 - DCG2404003BHXBAB
M5 - DCG2404003BJXAAA
M6 - DCG2404003BJXAAB
M7 - DCG2404003BJXNAA
M8 - DCG2404003BJXNAB
M9 - DCG2404003BXSDAA
M10 - DCG2404003BXSDAB
M11 - DCG2404003BXSXAA
M12 - DCG2404003BXSXAB
M13 - DCG2404003BXXBAA
M14 - DCG2404003BXXBAB
M15 - DCG2404003BXXXAA
M16 - DCG2404003BXXXAB
M17 - DCG2404004BAXXAB
M18 - DCG2404004BHXDAB
M19 - DCG2404004BHXNAB
M20 - DCG2404004BHXXAB
M21 - DCG2404004BJXGAB
M22 - DCG2404004BJXOAB
M23 - DCG2404004BJXRAB
M24 - DCG2404004BXXQAB
M25 - DCG2404004BXXXAA
M26 - DCG2404004BXXXAB
M27 - DCG2404004BXXXAC
M28 - DCG2404007BXXXAA
M29 - DCG2404007BXXXAB

Partition Assembly



Partition Assembly

Ref. Part No: No:	Description:	Ref. Part No: No:	Description:
-------------------	--------------	-------------------	--------------

Image 1:

31	0121L01163	DECK, SIDE DUCT END
41	0121L01162	DECK, SIDE HEAT END
51	0121L01160	BLOWER DECK, EVAP SIDE
61	0121L01161	BLOWER DECK, MOTOR SIDE
71	0121L00714	MOTOR MOUNT ANGLE (QTY 3)
91	0121L00478	BLOWER DECK RAIL (QTY 2)
101	0121L01130	DRAIN PAN, EVAPORATOR
111	0121L00551	HEAT EXCHANGER ANGLE, RH SIDE
121	0121L00552	HEAT EXCHANGER ANGLE, LH SIDE
131	0121L00553	LOWER HEAT EXCHANGER ANGLE (QTY 2)
141	0121L00913	BRACKET-COND/BASEPAN (QTY 2)
161	0121L00481	BLOWER RAIL (QTY 2)
311	0121L01158	SHIELD, BLOWOFF
351	0121L00901	BRACE-COND COILS (QTY 2)

Expanded Model Nomenclature

- M1 - DCG2404003BAXAAA
- M2 - DCG2404003BAXXAA
- M3 - DCG2404003BHXBAA
- M4 - DCG2404003BHXBAB
- M5 - DCG2404003BJXAAA
- M6 - DCG2404003BJXAAB
- M7 - DCG2404003BJXNAA
- M8 - DCG2404003BJXNAB
- M9 - DCG2404003BXSDAA
- M10 - DCG2404003BXSDAB
- M11 - DCG2404003BXSXAA
- M12 - DCG2404003BXSXAB
- M13 - DCG2404003BXXBAA
- M14 - DCG2404003BXXBAB
- M15 - DCG2404003BXXXAA
- M16 - DCG2404003BXXXAB
- M17 - DCG2404004BAXXAB
- M18 - DCG2404004BHXDAB
- M19 - DCG2404004BHXNAB
- M20 - DCG2404004BHXXAB
- M21 - DCG2404004BJXGAB
- M22 - DCG2404004BJXOAB
- M23 - DCG2404004BJXRAB
- M24 - DCG2404004BXXQAB
- M25 - DCG2404004BXXXAA
- M26 - DCG2404004BXXXAB
- M27 - DCG2404004BXXXAC
- M28 - DCG2404007BXXXAA
- M29 - DCG2404007BXXXAB

Basepan / Compressor / Tubing Assembly

Image 1

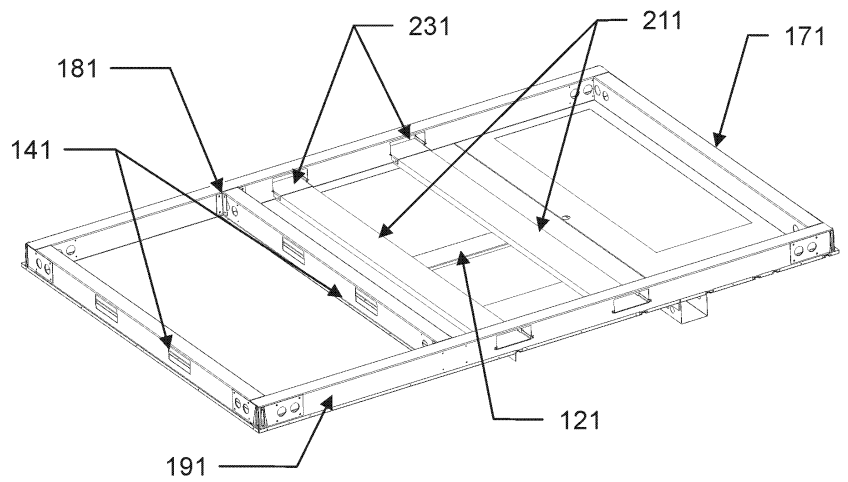
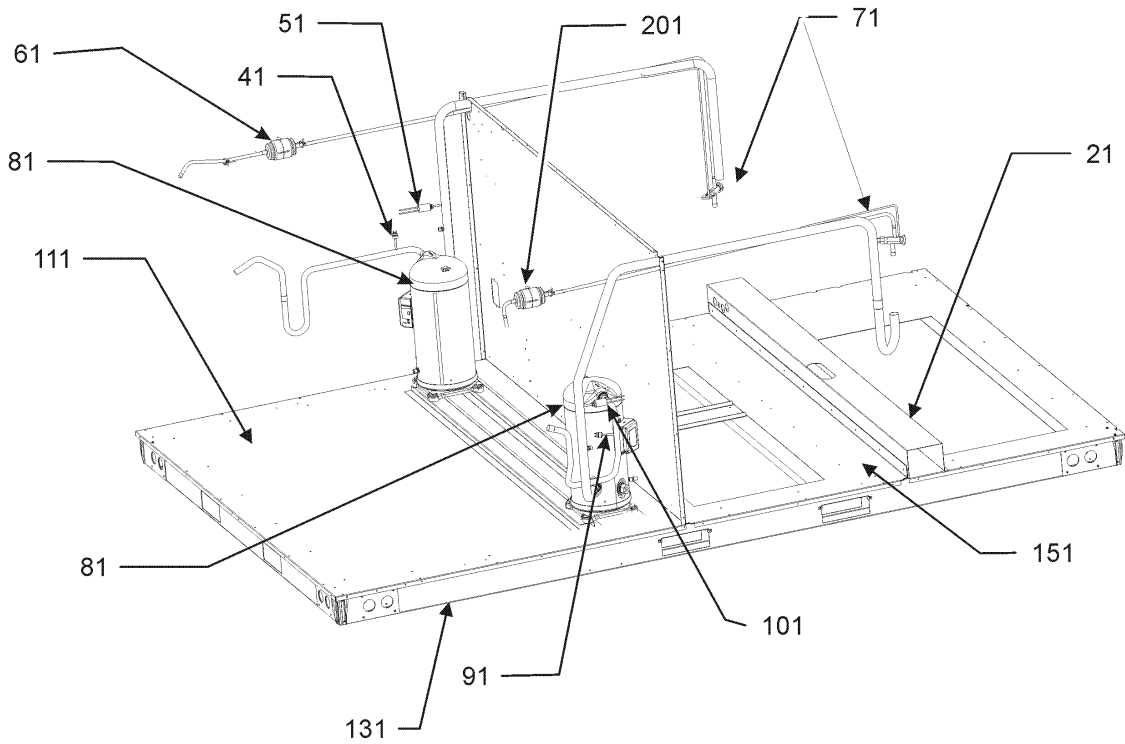


Image 2

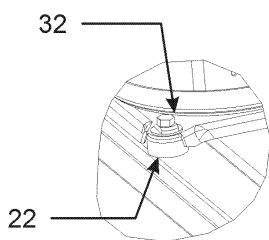
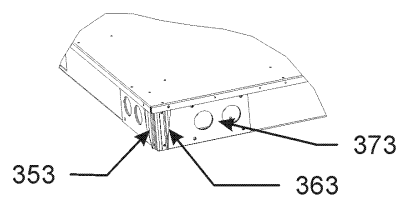


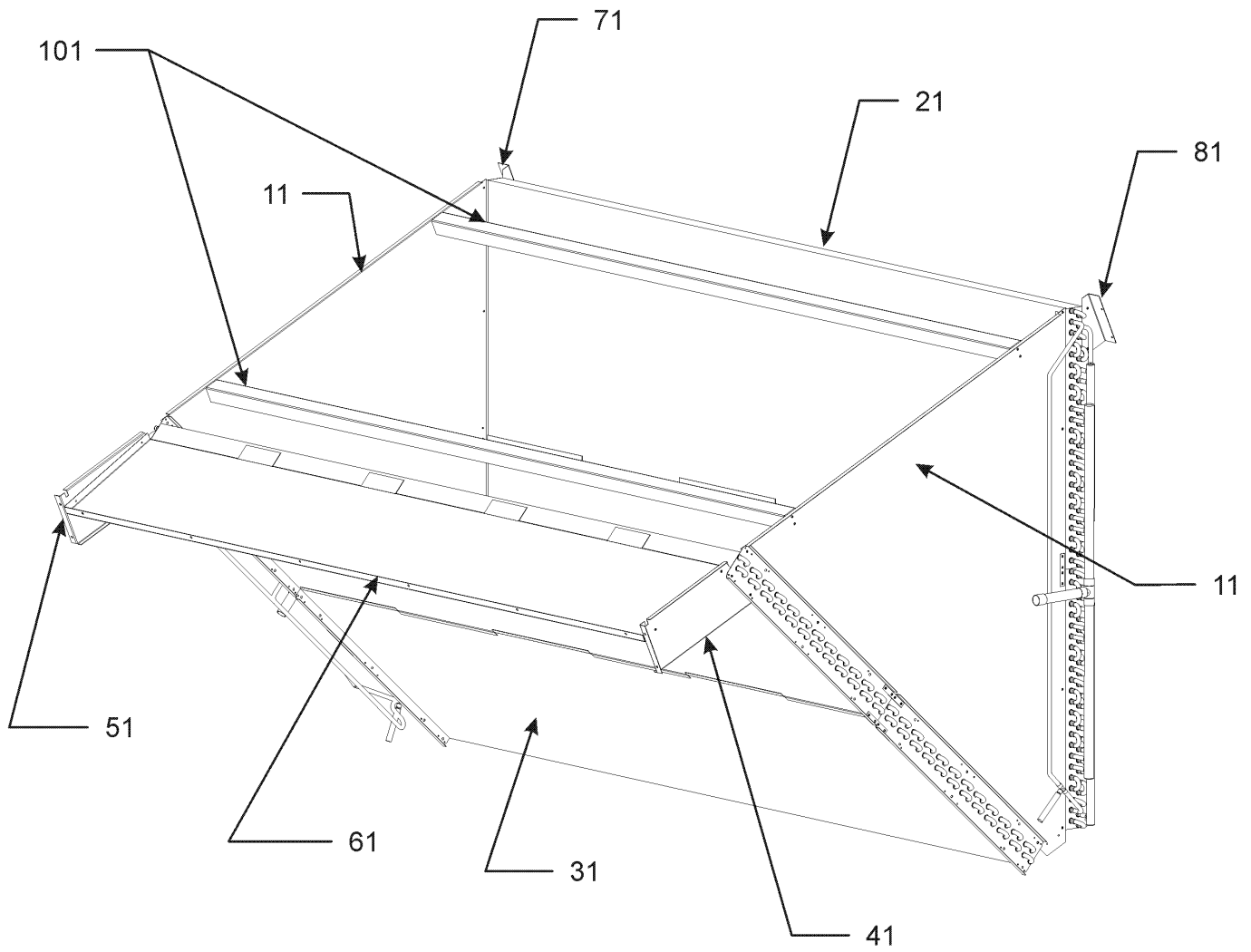
Image 3



Basepan / Compressor / Tubing Assembly

Ref. Part No: No:	Description:	Ref. Part No: No:	Description:
Image 1:		Expanded Model Nomenclature	
21	0270L00189	BASEPAN WELDMENT, RETURN SIDE	M1 - DCG2404003BAXAAA
41	0130M00074	CUT-OUT SWITCH, HIGH PRESSURE	M2 - DCG2404003BAXXAA
51	0130M00087	CUT-OUT SWITCH, LOW PRESSURE	M3 - DCG2404003BHXBAA
61	0151M00012	BI-FLOW FILTER DRIER	M4 - DCG2404003BHXBAB
71	0151L00011	VALVE, TXV R-410A (QTY 2)	M5 - DCG2404003BJXAAA
81	ZP122KCETFD155	COMP, 124000, 460/60/3 (M27)	M6 - DCG2404003BJXAAB
81	ZP122KCETF5250	COMP, 124000, 200/230/60/3 (M4, M6, M8, M10, M12, M14, M16)	M7 - DCG2404003BJXNAA
81	ZP120KCETFE155	COMPRESSOR 121,000, 575/60/3 (M28, M29)	M8 - DCG2404003BJXNAB
81	ZP120KCETF5250	COMPRESSOR 123,000, 200/230/60/3 (M1, M2, M3, M5, M7, M9, M11, M13, M15)	M9 - DCG2404003BXSAAA
81	ZP120KCETFD155	COMPRESSOR 123,000, 460/60/3 (M17, M18, M19, M20, M21, M22, M23, M24, M25, M26)	M10 - DCG2404003BXSADB
91	0130M00074	CUT-OUT SWITCH, HIGH PRESSURE	M11 - DCG2404003BXSAAA
101	0130M00087	CUT-OUT SWITCH, LOW PRESSURE	M12 - DCG2404003BXSAB
111	0270L00336	BASEPAN WELD, OUTDOOR	M13 - DCG2404003BXXBAA
121	0121L00605	FORK BOARD PLATE	M14 - DCG2404003BXXBAB
131	0121L00720	SIDE RAIL	M15 - DCG2404003BXXXAA
141	0121L00721	BASE RAIL, CONDENSER END (QTY 2)	M16 - DCG2404003BXXXAB
151	0121L00948	BASE PAN-SUPPLY	M17 - DCG2404004BAXXAB
171	0121L00722	BASE RAIL, ACCESSORY END	M18 - DCG2404004BHXDAB
181	0121L00625	COMPRESSOR RAIL BRACKET (QTY 4)	M19 - DCG2404004BHXNAB
191	0121L00719	CONTROL SIDE BASE RAIL	M20 - DCG2404004BHXAB
201	0151M00012	BI-FLOW FILTER DRIER	M21 - DCG2404004BJXGAB
231	0121L00724	FORK BOARD BRACKET (QTY 4)	M22 - DCG2404004BJXOAB
NS	0163M00175	CAP WITH O-RING (QTY 4)	M23 - DCG2404004BJXRAB
NS	0159L00044	COMPRESSOR SCROLL HARNESS (M17, M18, M19, M20, M21, M22, M23, M24, M25, M26, M27, M28, M29)	M24 - DCG2404004BXXQAB
NS	0159L00045	COMPRESSOR SCROLL HARNESS (M17, M18, M19, M20, M21, M22, M23, M24, M25, M26, M27, M28, M29)	M25 - DCG2404004BXXXAA
NS	0159L00048	COMPRESSOR SCROLL HARNESS (M1, M2, M3, M4, M5, M6, M7, M8, M9, M10, M11, M12, M13, M14, M15, M16)	M26 - DCG2404004BXXXAB
NS	0159L00049	COMPRESSOR SCROLL HARNESS (M1, M2, M3, M4, M5, M6, M7, M8, M9, M10, M11, M12, M13, M14, M15, M16)	M27 - DCG2404004BXXXAC
NS	0130L00020	CRANK CASE HEATER, 90W, 240V (M1, M2, M3, M5, M7, M9, M11, M13, M15)	M28 - DCG2404007BXXXAA
NS	0130L00021	CRANK CASE HEATER, 90W, 480V (M17, M18, M19, M20, M21, M22, M23, M24, M25, M26)	M29 - DCG2404007BXXXAB
NS	0130L00022	CRANK CASE HEATER, 90W, 575V (M28, M29)	
NS	0130L00017	CRANK CASE HEATER-70W 240V (M4, M6, M8, M10, M12, M14, M16)	
NS	0130L00018	CRANK CASE HEATER-70W, 480V (M27)	
Image 2:			
22	0164M00018	COMPRESSOR GROMMET (QTY 8)	
32	B1393740	COMPRESSOR BOLT & SLEEVE (QTY 8)	
Image 3:			
353	0121L00616	RAIL BRACE ANGLE, RIGHT (QTY 4)	
363	0121L00617	RAIL BRACE ANGLE, LEFT (QTY 4)	
373	0121L00723	BASE RAIL CORNER BRACE (QTY 4)	

Condenser Assembly



Condenser Assembly

Ref. Part No: No:	Description:	Ref. Part No: No:	Description:
-------------------	--------------	-------------------	--------------

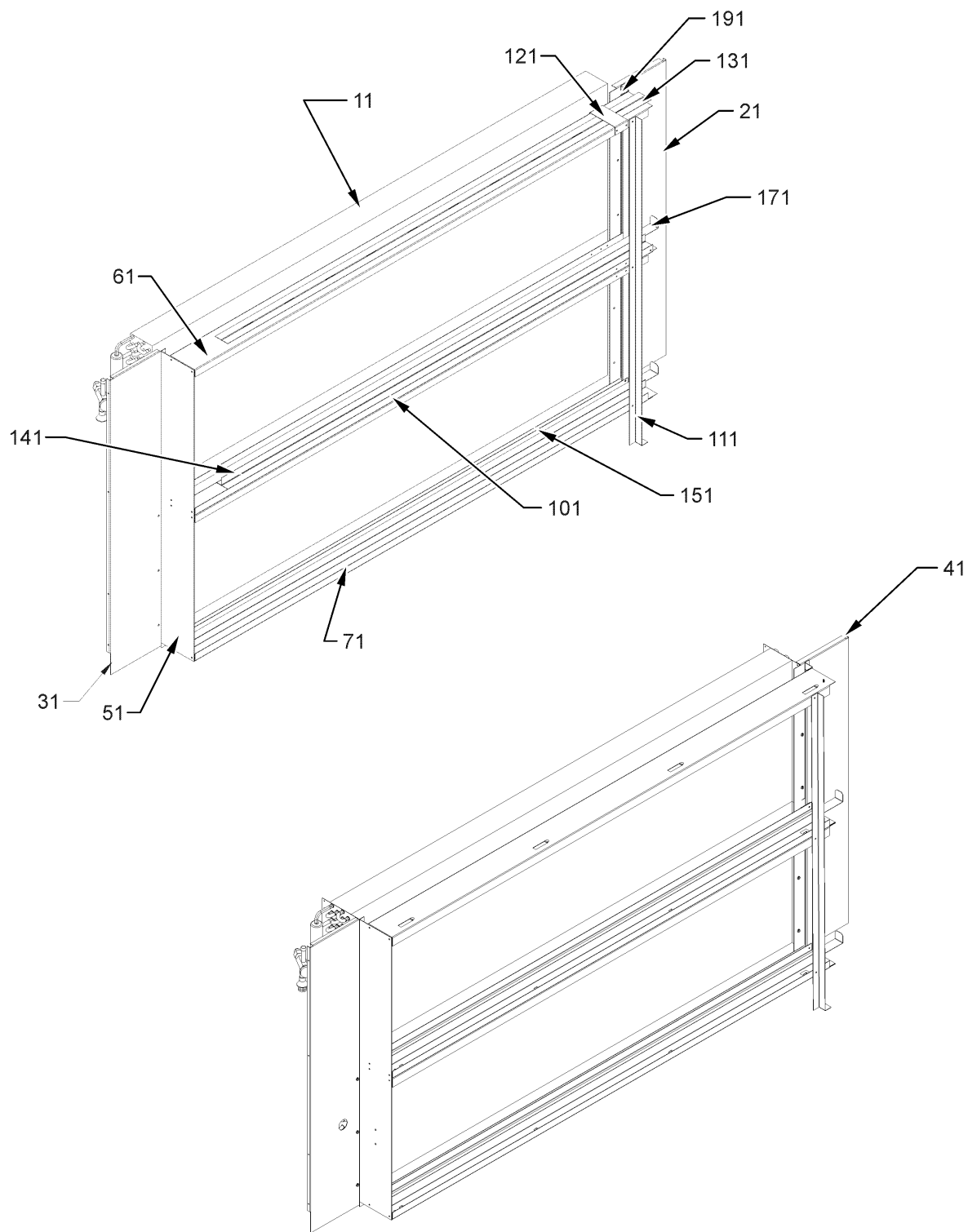
Image 1:

11	0121L00854	END COVER-CONDENSER (QTY 2)
21	0201L00151	CONDENSER COIL ASSY C1
31	0201L00152	CONDENSER COIL ASSY C2
41	0121L01154	BRACKET, CONDENSER END C1
51	0121L01156	BRACKET, CONDENSER END C2
61	0121L00572	CONDENSER BLOCKOFF, INSIDE TOP
71	0121L01153	BRACKET, COND/POST C2
81	0121L01155	BRACKET, COND/POST C1
101	0121L01037	ANGLE, TOP BRACE (QTY 2)

Expanded Model Nomenclature

M1 - DCG2404003BAXAAA
M2 - DCG2404003BAXXAA
M3 - DCG2404003BHXBAA
M4 - DCG2404003BHXBAB
M5 - DCG2404003BJXAAA
M6 - DCG2404003BJXAAB
M7 - DCG2404003BJXNAA
M8 - DCG2404003BJXNAB
M9 - DCG2404003BXSDAA
M10 - DCG2404003BXSDAB
M11 - DCG2404003BXSXAA
M12 - DCG2404003BXSXAB
M13 - DCG2404003BXXBAA
M14 - DCG2404003BXXBAB
M15 - DCG2404003BXXXAA
M16 - DCG2404003BXXXAB
M17 - DCG2404004BAXXAB
M18 - DCG2404004BHXDAB
M19 - DCG2404004BHXNAB
M20 - DCG2404004BHXXAB
M21 - DCG2404004BJXGAB
M22 - DCG2404004BJXOAB
M23 - DCG2404004BJXRAB
M24 - DCG2404004BXXQAB
M25 - DCG2404004BXXXAA
M26 - DCG2404004BXXXAB
M27 - DCG2404004BXXXAC
M28 - DCG2404007BXXXAA
M29 - DCG2404007BXXXAB

Evaporator Assembly



Evaporator Assembly

Ref. Part No: No:	Description:	Ref. Part No: No:	Description:
<i>Image 1:</i>		Expanded Model Nomenclature	
11	0202L00047	EVAPORATOR COIL ASSY (QTY 2)	M1 - DCG2404003BAXAAA
21	0121L00698	EVAPORATOR BLOCKOFF PANEL	M2 - DCG2404003BAXXAA
31	0121L00848	PANEL-EVAPORATOR, SMOKE DET	M3 - DCG2404003BHXBAA
41	FRK180300	FILTER RACK ASSY (M1, M2, M3, M4, M5, M6, M7, M8, M9, M10, M11, M12, M13, M14, M15, M16, M17, M18, M19, M20, M21, M22, M23, M24, M26, M27, M28, M29)	M4 - DCG2404003BHXBAB
51	0121L00933	ANGLE-FILTER, LEFT VERTICAL	M5 - DCG2404003BJXAAA
61	0121L00629	TOP FILTER RACK (M25)	M6 - DCG2404003BJXAAB
61	0121L01180	TOP FILTER RACK (M1, M2, M3, M4, M5, M6, M7, M8, M9, M10, M11, M12, M13, M14, M15, M16, M17, M18, M19, M20, M21, M22, M23, M24, M26, M27, M28, M29)	M7 - DCG2404003BJXNAA
71	0121L00701	BOTTOM FILTER RACK (M25)	M8 - DCG2404003BJXNAB
71	0121L01179	BOTTOM FILTER RACK (M1, M2, M3, M4, M5, M6, M7, M8, M9, M10, M11, M12, M13, M14, M15, M16, M17, M18, M19, M20, M21, M22, M23, M24, M26, M27, M28, M29)	M9 - DCG2404003BXSDAA
101	0270L00230	CENTER FILTER RACK (M25)	M10 - DCG2404003BXSDAB
101	0270L00658	CENTER FILTER RACK (M1, M2, M3, M4, M5, M6, M7, M8, M9, M10, M11, M12, M13, M14, M15, M16, M17, M18, M19, M20, M21, M22, M23, M24, M26, M27, M28, M29)	M11 - DCG2404003BXSXAA
111	0121L00632	FILTER SUPPORT ANGLE	M12 - DCG2404003BXSXAB
121	0121L00634	TOP ANGLE BRACKET	M13 - DCG2404003BXXBAA
131	0270L00271	WELDMENT-TOP SLIDER (M25)	M14 - DCG2404003BXXBAB
141	0121L01178	ANGLED FILTER SLIDER (M1, M2, M3, M4, M5, M6, M7, M8, M9, M10, M11, M12, M13, M14, M15, M16, M17, M18, M19, M20, M21, M22, M23, M24, M26, M27, M28, M29)	M15 - DCG2404003BXXXAA
141	0270L00232	CENTER SLIDER (M25)	M16 - DCG2404003BXXXAB
151	0121L00703	BOTTOM BLOCKOFF, FILTER RACK	M17 - DCG2404004BAXXAB
171	0121L00640	FILTER PULL (QTY 2)	M18 - DCG2404004BHXXDAB
191	0121L00702	RIGHT SIDE BLOCKOFF, FILTER RACK (M25)	M19 - DCG2404004BHXNAB
191	0121L01390	RIGHT SIDE BLOCKOFF, FILTER RACK (M1, M2, M3, M4, M5, M6, M7, M8, M9, M10, M11, M12, M13, M14, M15, M16, M17, M18, M19, M20, M21, M22, M23, M24, M26, M27, M28, M29)	M20 - DCG2404004BHXXAB
NS	0160L00137	Air Filter 20x25x2 (QTY 6)	M21 - DCG2404004BJXGAB
			M22 - DCG2404004BJXOAB
			M23 - DCG2404004BJXRAB
			M24 - DCG2404004BXXQAB
			M25 - DCG2404004BXXXAA
			M26 - DCG2404004BXXXAB
			M27 - DCG2404004BXXXAC
			M28 - DCG2404007BXXXAA
			M29 - DCG2404007BXXXAB

Blower Assembly

Image 1

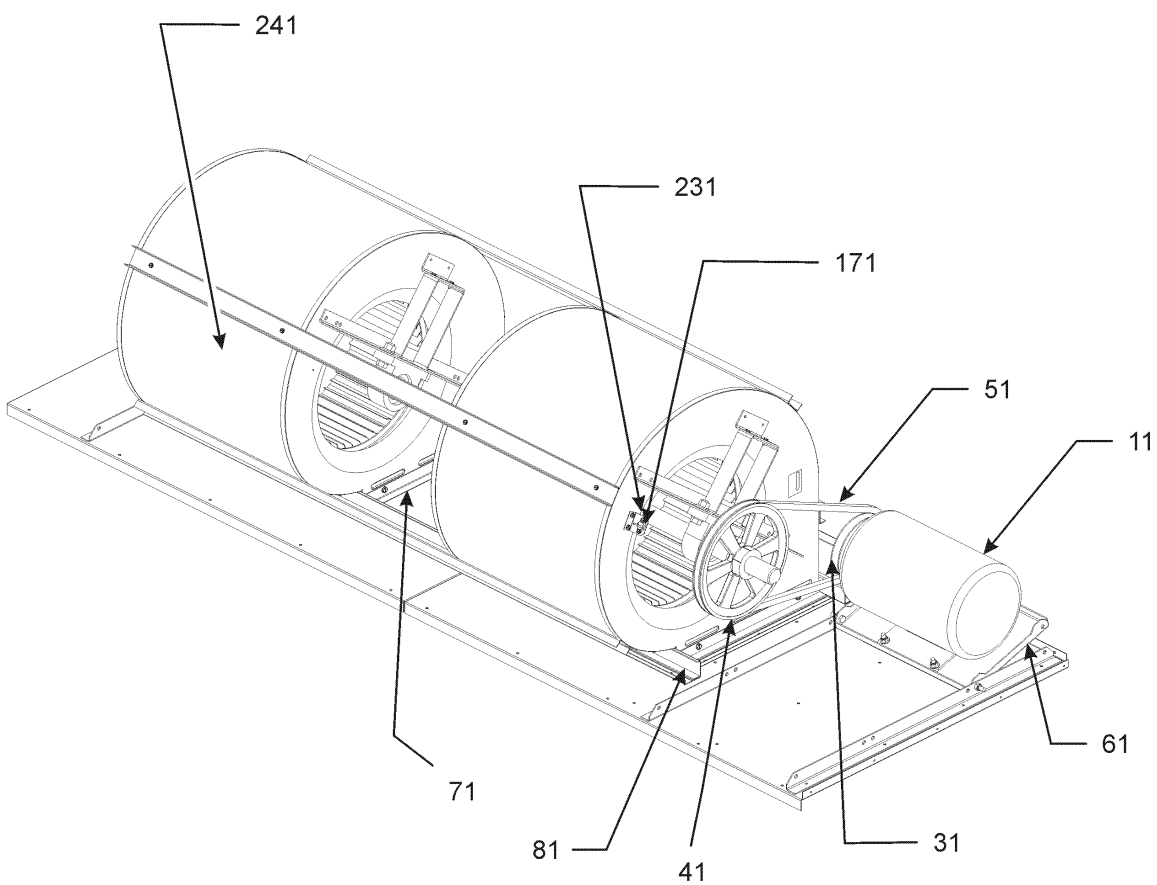
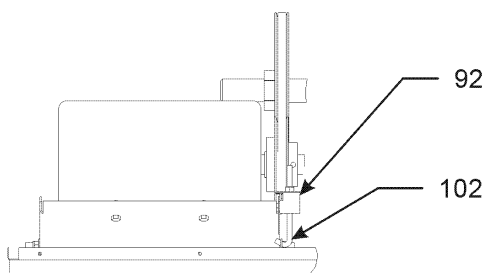


Image 2



Blower Assembly

Ref. Part No: No:	Description:	Ref. Part No: No:	Description:
-------------------	--------------	-------------------	--------------

Image 1:

11	0131M00274	COND MOTOR 5.0 HP (M1, M2, M3, M4, M5, M6, M7, M8, M9, M10, M11, M12, M13, M14, M15, M16, M17, M18, M19, M20, M21, M22, M23, M24, M25, M26, M27)
11	0131L00007	MOTOR-5 HP BELT DRIVE 575V 3P (M28, M29)
31	0163L00037	VARIABLE PITCH SHEAVE
41	0163L00036	FIXED SHEAVE
51	0164L00005	NOTCHED FAN BELT BX46
61	0121L00555	MOTOR BASE PLATE
71	0121L00482	BLOWER SIDE ANGLE (QTY 4)
81	0121L00479	BLOWER RAIL (QTY 2)
171	0130M00064	LIMIT
231	0121L00594	SECONDARY LIMIT BRACKET
241	0271L00027	150-15R BD 1.44 TWIN BLOWER

Image 2:

92	0121L00557	MOTOR ADJUST BRACKET
102	0163L00034	HOKED BOLT

Expanded Model Nomenclature

- M1 - DCG2404003BAXAAA
- M2 - DCG2404003BAXXAA
- M3 - DCG2404003BHXBAA
- M4 - DCG2404003BHXBAB
- M5 - DCG2404003BJXAAA
- M6 - DCG2404003BJXAAB
- M7 - DCG2404003BJXNAA
- M8 - DCG2404003BJXNAB
- M9 - DCG2404003BXSDAA
- M10 - DCG2404003BXSDAB
- M11 - DCG2404003BXSXAA
- M12 - DCG2404003BXSXAB
- M13 - DCG2404003BXXBAA
- M14 - DCG2404003BXXBAB
- M15 - DCG2404003BXXXAA
- M16 - DCG2404003BXXXAB
- M17 - DCG2404004BAXXAB
- M18 - DCG2404004BHXDAB
- M19 - DCG2404004BHXNAB
- M20 - DCG2404004BHXXAB
- M21 - DCG2404004BJXGAB
- M22 - DCG2404004BJXOAB
- M23 - DCG2404004BJXRAB
- M24 - DCG2404004BXXQAB
- M25 - DCG2404004BXXXAA
- M26 - DCG2404004BXXXAB
- M27 - DCG2404004BXXXAC
- M28 - DCG2404007BXXXAA
- M29 - DCG2404007BXXXAB

Heat Exchanger Assembly

Image 1

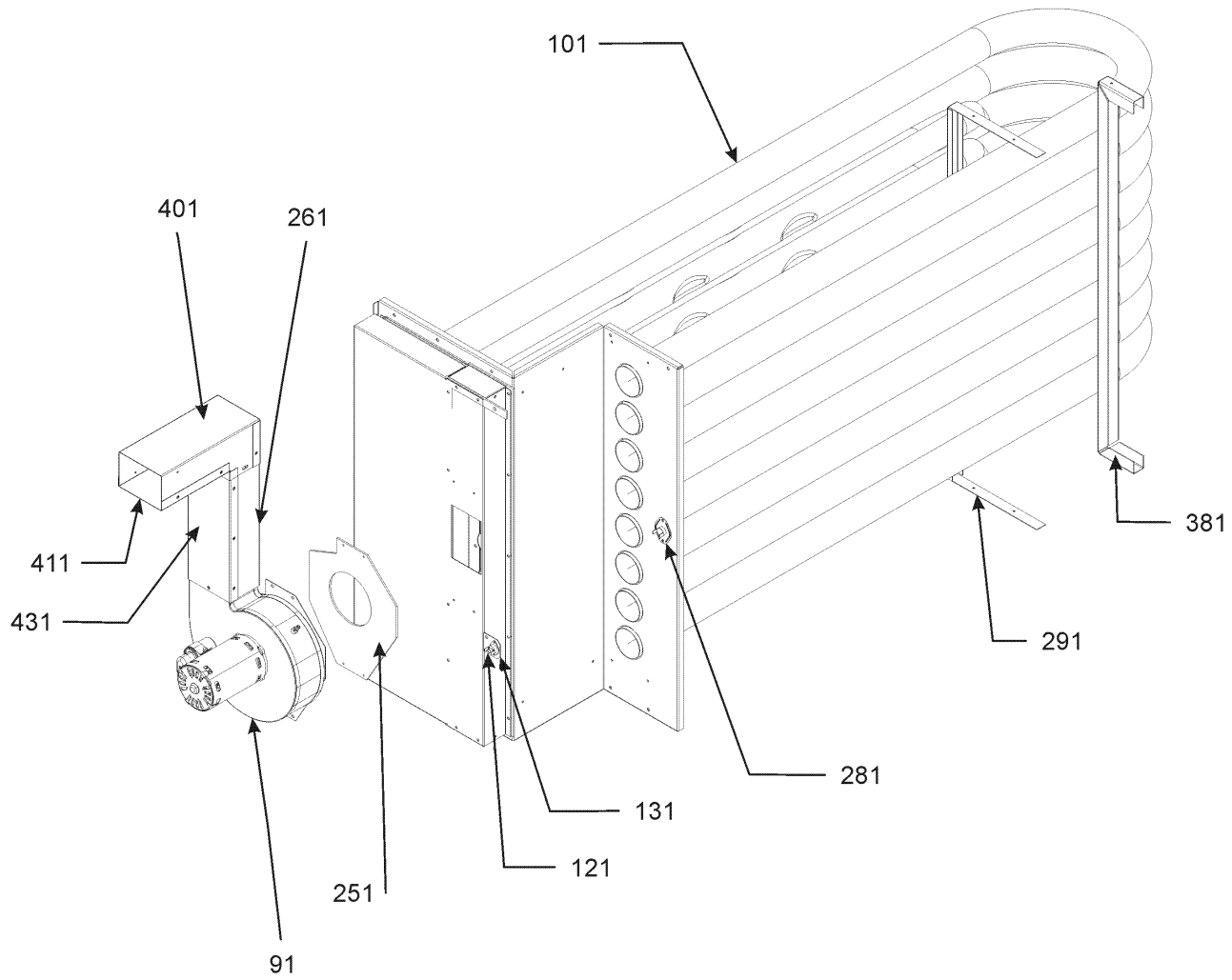


Image 2

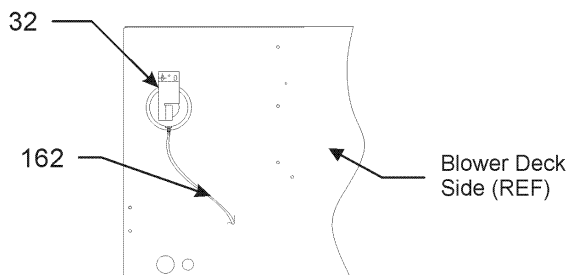
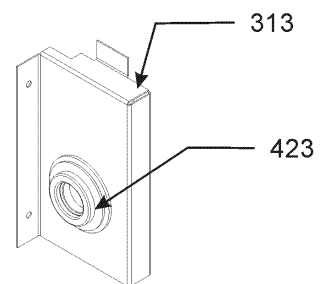


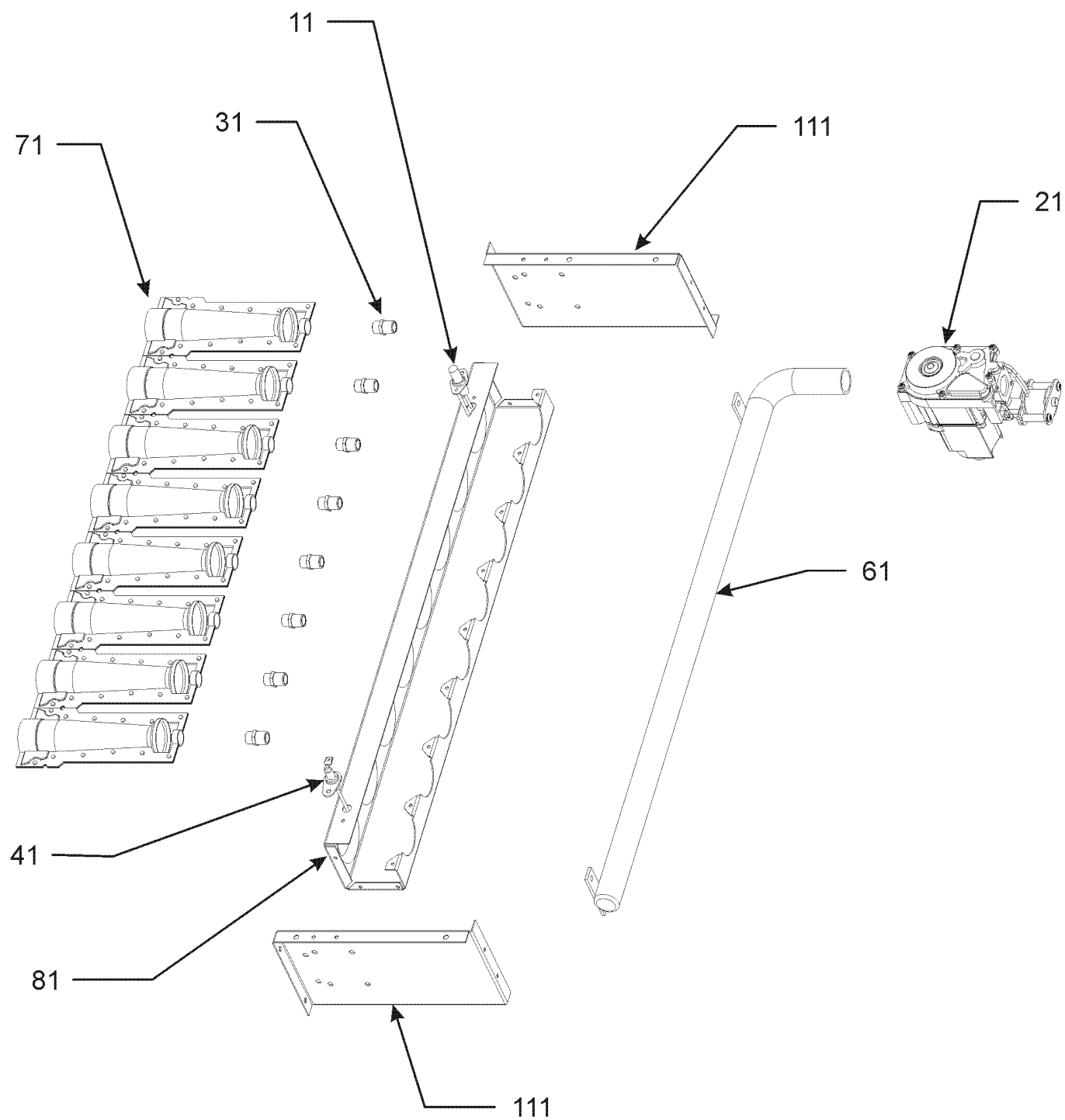
Image 3



Heat Exchanger Assembly

Ref. Part No: No:	Description:	Ref. Part No: No:	Description:
Image 1:		Expanded Model Nomenclature	
91	0131L00014	VENT MOTOR	M1 - DCG2404003BAXAAA
101	0270L00186	PARTITION TUBE ASSY 8B (M1, M2, M3, M4, M5, M6, M7, M8, M13, M14, M15, M16, M17, M18, M19, M20, M21, M22, M23, M24, M25, M26, M27, M28, M29)	M2 - DCG2404003BAXXAA
101	0270L00221	PARTITION TUBE ASSY-8B SS (M9, M10, M11, M12)	M3 - DCG2404003BHXBAA
121	10123529	MANUAL RESET LIMIT-GREEN	M4 - DCG2404003BHXBAB
131	0121L00053	FLAME ROLLOUT BRACKET	M5 - DCG2404003BJXAAA
251	0154L00029	ID BLOWER GASKET	M6 - DCG2404003BJXAAB
261	0121L00668	FLUE WRAPPER, BACK	M7 - DCG2404003BJXNAA
281	20162903	PRIMARY LIMIT - BLUE	M8 - DCG2404003BJXNAB
291	0121L00808	SUPPORT-HEAT TUBES	M9 - DCG2404003BXSDAA
381	0121L00930	SUPPORT-HEAT TUBES 2.25	M10 - DCG2404003BXSDAB
401	0121L00670	FLUE WRAPPER EXIT	M11 - DCG2404003BXSXAA
411	0121L00671	FLUE COVER EXIT	M12 - DCG2404003BXSXAB
431	0121L00669	FLUE COVER, FRONT	M13 - DCG2404003BXXBAA
NS	0154L00025	COVER GASKET	M14 - DCG2404003BXXBAB
NS	0163L00040	FLUE SCREEN	M15 - DCG2404003BXXXAA
NS	0154L00026	INNER COLLECTOR BOX GASKET	M16 - DCG2404003BXXXAB
NS	0154L00027	OUTER COLLECTOR BOX GASKET	M17 - DCG2404004BAXXAB
Image 2:			M18 - DCG2404004BHXDAB
32	11112501	PRESSURE SWITCH	M19 - DCG2404004BHXNAB
162	A3468601	PRESSURE SWITCH HOSE	M20 - DCG2404004BHXXAB
Image 3:			M21 - DCG2404004BJXGAB
313	0121L00697	GAS VALVE PIPE BRACKET	M22 - DCG2404004BJXOAB
423	B1910013	GAS LINE GROMMET	M23 - DCG2404004BJXRAB
			M24 - DCG2404004BXXQAB
			M25 - DCG2404004BXXXAA
			M26 - DCG2404004BXXXAB
			M27 - DCG2404004BXXXAC
			M28 - DCG2404007BXXXAA
			M29 - DCG2404007BXXXAB

Burner Assembly



Burner Assembly

Ref. Part No:	No:	Description:	Ref. Part No:	No:	Description:
---------------	-----	--------------	---------------	-----	--------------

Image 1:

11	20261709	IGNITOR
21	0151M00015	VALVE, GAS (HW) VR83
31	0163L00014	ORIFICE (QTY 8)
41	0130F00010	FLAME SENSOR
61	0163L00033	MANIFOLD-GAS 8 BURNER
71	0163L00000	BECKETT BURNER (QTY 8)
81	0121L00635	BRACKET-8 BURNERS
111	0121G00268	BRACKET-BURNER TOP/BOT (QTY 2)

Expanded Model Nomenclature

- M1 - DCG2404003BAXAAA
- M2 - DCG2404003BAXXAA
- M3 - DCG2404003BHXBAA
- M4 - DCG2404003BHXBAB
- M5 - DCG2404003BJXAAA
- M6 - DCG2404003BJXAAB
- M7 - DCG2404003BJXNAA
- M8 - DCG2404003BJXNAB
- M9 - DCG2404003BXSDAA
- M10 - DCG2404003BXSDAB
- M11 - DCG2404003BXSXAA
- M12 - DCG2404003BXSXAB
- M13 - DCG2404003BXXBAA
- M14 - DCG2404003BXXBAB
- M15 - DCG2404003BXXXAA
- M16 - DCG2404003BXXXAB
- M17 - DCG2404004BAXXAB
- M18 - DCG2404004BHXDAB
- M19 - DCG2404004BHXNAB
- M20 - DCG2404004BHXXAB
- M21 - DCG2404004BJXGAB
- M22 - DCG2404004BJXOAB
- M23 - DCG2404004BJXRAB
- M24 - DCG2404004BXXQAB
- M25 - DCG2404004BXXXAA
- M26 - DCG2404004BXXXAB
- M27 - DCG2404004BXXXAC
- M28 - DCG2404007BXXXAA
- M29 - DCG2404007BXXXAB

Control Box / Capacitor Assembly

Image 1

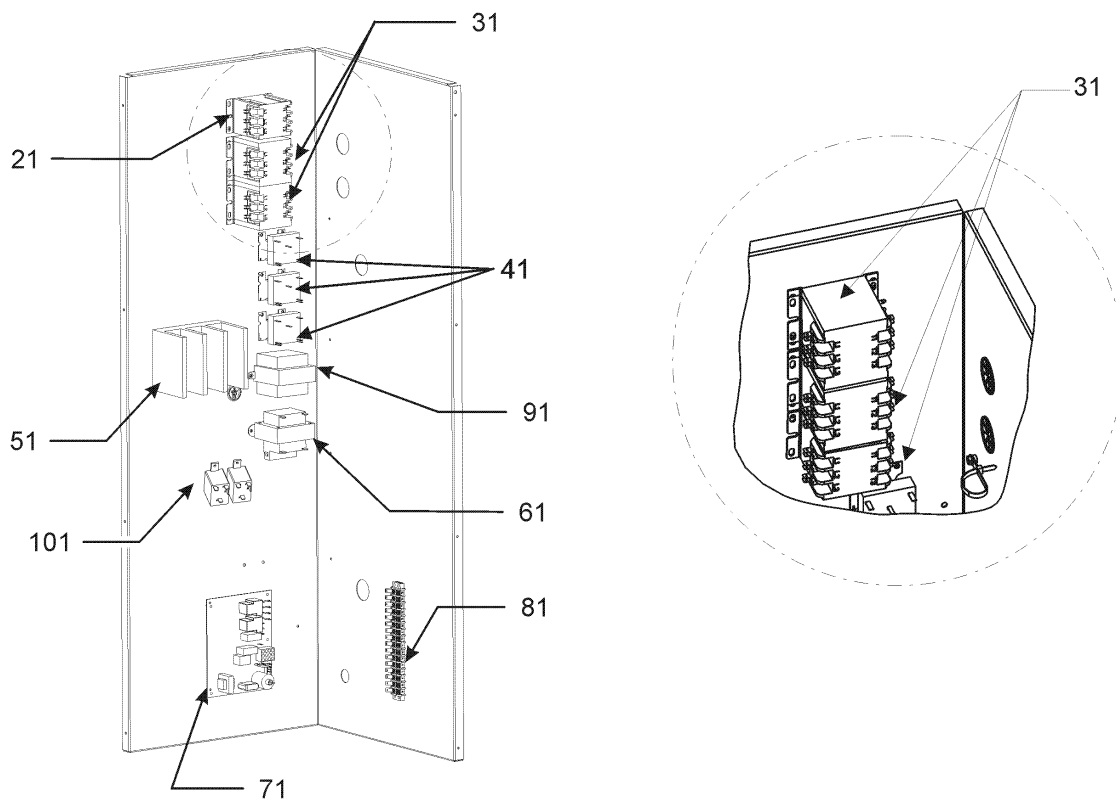
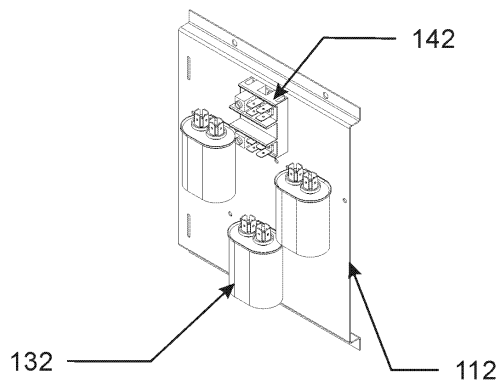


Image 2



Control Box / Capacitor Assembly

**Ref. Part
No: No:**

Description:

**Ref. Part
No: No:**

Description:

Image 1:

21	CONT3P050024V	CONTACTOR 50 AMP, 3P, 24V (M1, M2, M3, M4, M5, M6, M7, M8, M9, M10, M11, M12, M13, M14, M15, M16)
31	CONT3P030024V	CONTACTOR 30 AMP, 3P, 24V
41	0130M00025	24V RELAY (QTY 3)
51	0130M00042	BLOCK, POWER (M1, M2, M3, M4, M5, M6, M7, M8, M9, M10, M11, M12, M13, M14, M15, M16)
61	0130M00144	TRANSFORMER (M1, M2, M3, M4, M5, M6, M7, M8, M9, M10, M11, M12, M13, M14, M15, M16)
61	0130M00145	TRANSFORMER 480V to 24V, 75VA (M17, M18, M19, M20, M21, M22, M23, M24, M25, M26, M27)
61	0130M00148	TRANSFORMER 575V to 24V, 75VA (M28, M29)
71	PCBAG123	IGNITION BOARD, DSI INTEGRATED
81	0130M00038	TERMINAL BOARD
91	0130M00146	TRANSFORMER 480V TO 230V, 150VA (M17, M18, M19, M20, M21, M22, M23, M24, M25, M26, M27)
91	0130M00147	TRANSFORMER 575V TO 230V, 150VA (M28, M29)
101	0130M00242	RELAY, 24V (QTY 2)
NS	0259L00134	HARNESS, 12 PIN GAS
NS	0259L00135	HARNESS, CONTROL GAS
NS	0259L00164	HARNESS, ECONOMIZER AC
NS	0159L00052	HARNESS, JUMPER LONG (M1, M2, M3, M4, M5, M6, M7, M8, M9, M10, M11, M12, M13, M14, M15, M16)
NS	0159L00051	HARNESS, JUMPER SHORT (M1, M2, M3, M4, M5, M6, M7, M8, M9, M10, M11, M12, M13, M14, M15, M16)
NS	0259L00101	MOTOR HARNESS-BELT DRIVE
NS	0259L00136	WIRE HARNESS ASSY

Image 2:

112	0121L00585	CAPACITOR MOUNTING PLATE
132	CAP100000370LA	CAPACITOR 10/370V (M1, M2, M3, M4, M5, M6, M7, M8, M9, M10, M11, M12, M13, M14, M15, M16, M17, M18, M19, M20, M21, M22, M23, M24, M26, M27)
132	CAP050000370LA	CAPACITOR 5/370V (M25, M28)
132	CAP050000440LA	CAPACITOR 5/440V (M29)
142	B1368250	TERMINAL BLOCK (HIGH VOLTAGE)
NS	0121L00586	CAPACITOR COVER
NS	20520901	CAPACITOR STRAP (QTY 3)
NS	0259L00118	CONDENSER FAN HARNESS, LONG
NS	0259L00117	CONDENSER FAN HARNESS, MEDIUM
NS	0259L00116	CONDENSER FAN HARNESS, SHORT

Expanded Model Nomenclature

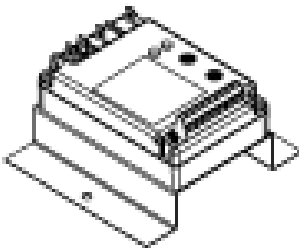
M1 - DCG2404003BAXAAA
M2 - DCG2404003BAXXAA
M3 - DCG2404003BHXBAA
M4 - DCG2404003BHXBAB
M5 - DCG2404003BJXAAA
M6 - DCG2404003BJXAAB
M7 - DCG2404003BJXNAA
M8 - DCG2404003BJXNAB
M9 - DCG2404003BXSDAA
M10 - DCG2404003BXSDAB
M11 - DCG2404003BXSXAA
M12 - DCG2404003BXSXAB
M13 - DCG2404003BXXBAA
M14 - DCG2404003BXXBAB
M15 - DCG2404003BXXXAA
M16 - DCG2404003BXXXAB
M17 - DCG2404004BAXXAB
M18 - DCG2404004BHXDAB
M19 - DCG2404004BHXNAB
M20 - DCG2404004BHXXAB
M21 - DCG2404004BJXGAB
M22 - DCG2404004BJXOAB
M23 - DCG2404004BJXRAB
M24 - DCG2404004BXXQAB
M25 - DCG2404004BXXXAA
M26 - DCG2404004BXXXAB
M27 - DCG2404004BXXXAC
M28 - DCG2404007BXXXAA
M29 - DCG2404007BXXXAB

Accessory Parts List

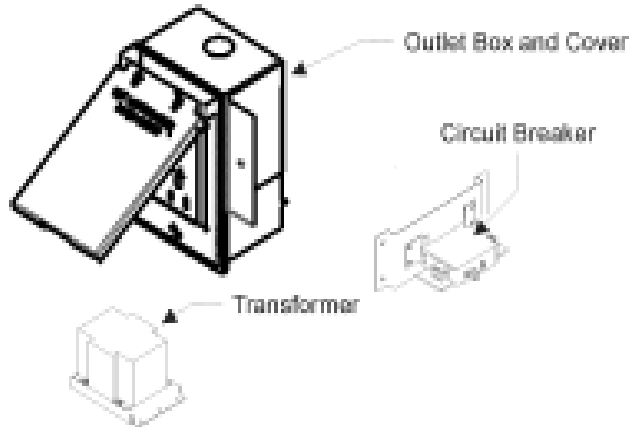
ACCESSORY PARTS LIST

NOTE: NOT ALL OPTIONS AVAILABLE FOR ALL PRODUCTS

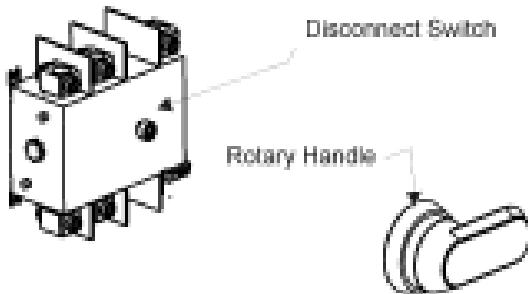
LOW AMBIENT KITS



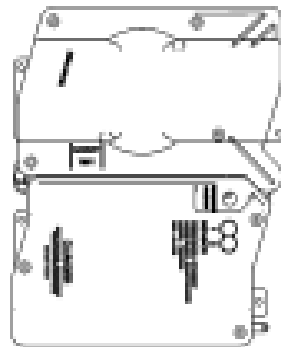
GFCI CONVENIENCE OUTLET



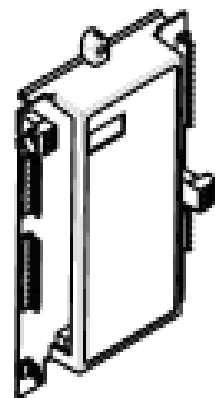
DISCONNECT MODULE (NON-FUSED)



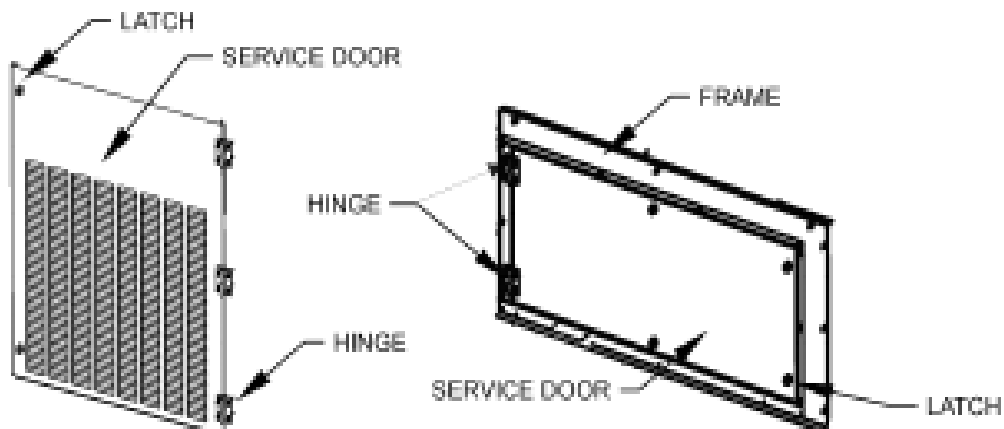
SMOKE DETECTORS



DDC CONTROL



HINGED DOOR ASSEMBLIES



Accessory Parts List

Ref. Part No: No:	Description:	Ref. Part No: No:	Description:
Image 1:		Expanded Model Nomenclature	
NS 0121L00316	BRACKET-CONV OUTLET MOUNT (M1, M3, M4, M5, M6, M7, M8, M13, M14, M19, M21, M22, M23, M24)	M1 - DCG2404003BAXAAA	
NS 0121L01053	BRACKET-SMOKE DETECTOR (M7, M8, M9, M10, M18, M19, M21, M22, M24)	M2 - DCG2404003BAXXAA	
NS 0130M00065	CIRCUIT BREAKER, CONVENIENCE OUTLET (M3, M4, M7, M8, M13, M14, M19, M22, M23, M24)	M3 - DCG2404003BHXBAA	
NS 0121L00839NG	DISCONNECT COVER (M3, M4, M5, M6, M7, M8, M18, M19, M20, M21, M22, M23)	M4 - DCG2404003BHXBAB	
NS 0130L00012	GANG BOX-GFCI OUTLET (M1, M3, M4, M5, M6, M7, M8, M13, M14, M19, M22, M23, M24)	M5 - DCG2404003BJXAAA	
NS 0130L00039	HANDLE, ROTARY (M3, M4, M5, M6, M7, M8, M18, M19, M20, M21, M22, M23)	M6 - DCG2404003BJXAAB	
NS LAKT03	LOW AMBIENT KIT (M23, M24)	M7 - DCG2404003BJXNAA	
NS 0161G00012	POWER OUTLET BOX (M1, M3, M4, M5, M6, M7, M8, M13, M14, M19, M21, M22, M23, M24)	M8 - DCG2404003BJXNAB	
NS 0130L00103	RECEPTACLE-GFCI OUTLET (M1, M3, M4, M5, M6, M7, M8, M13, M14, M19, M21, M22, M23, M24)	M9 - DCG2404003BXSDAA	
NS 0130L00043	SHAFT, CUT (M3, M4, M5, M6, M7, M8)	M10 - DCG2404003BXSDAB	
NS 0130L00058	SHAFT, CUT (M19, M22, M23)	M11 - DCG2404003BXSXAA	
NS 0130L00059	SHAFT, CUT (M18, M20, M21)	M12 - DCG2404003BXSXAB	
NS D4120	SMOKE DETECTOR, PHOTO 4WIRE (M7, M8, M9, M10, M18, M19, M21, M22, M24)	M13 - DCG2404003BXXBAA	
NS D4S	SMOKE DETECTOR, SENSOR ONLY (M22)	M14 - DCG2404003BXXBAB	
NS 0130L00027	SWITCH-DISCONNECT 100A (M19, M22, M23)	M15 - DCG2404003BXXXAA	
NS 0130L00033	SWITCH-DISCONNECT 200A (M3, M4, M5, M6, M7, M8)	M16 - DCG2404003BXXXAB	
NS 0130L00046	SWITCH-DISCONNECT 60A (M18, M20, M21)	M17 - DCG2404004BAXXAB	
NS 0130M00061	TRANSFORMER, CONVENIENCE OUTLET (M3, M4, M7, M8, M13, M14, M19, M22, M23, M24)	M18 - DCG2404004BHXXDAB	
		M19 - DCG2404004BHXXNAB	
		M20 - DCG2404004BHXXAB	
		M21 - DCG2404004BJXGAB	
		M22 - DCG2404004BJXOAB	
		M23 - DCG2404004BJXRAB	
		M24 - DCG2404004BXXQAB	
		M25 - DCG2404004BXXXAA	
		M26 - DCG2404004BXXXAB	
		M27 - DCG2404004BXXXAC	
		M28 - DCG2404007BXXXAA	
		M29 - DCG2404007BXXXAB	