



a Geberit company

2100 South Clearwater Drive  
Des Plaines, IL 60018  
Phone: 847-803-5000  
Fax: 847-803-5454  
www.chicagofaucets.com

# REPAIR PARTS

BY: SID DATE: 12-09-13

CHK: *[Signature]* REV:

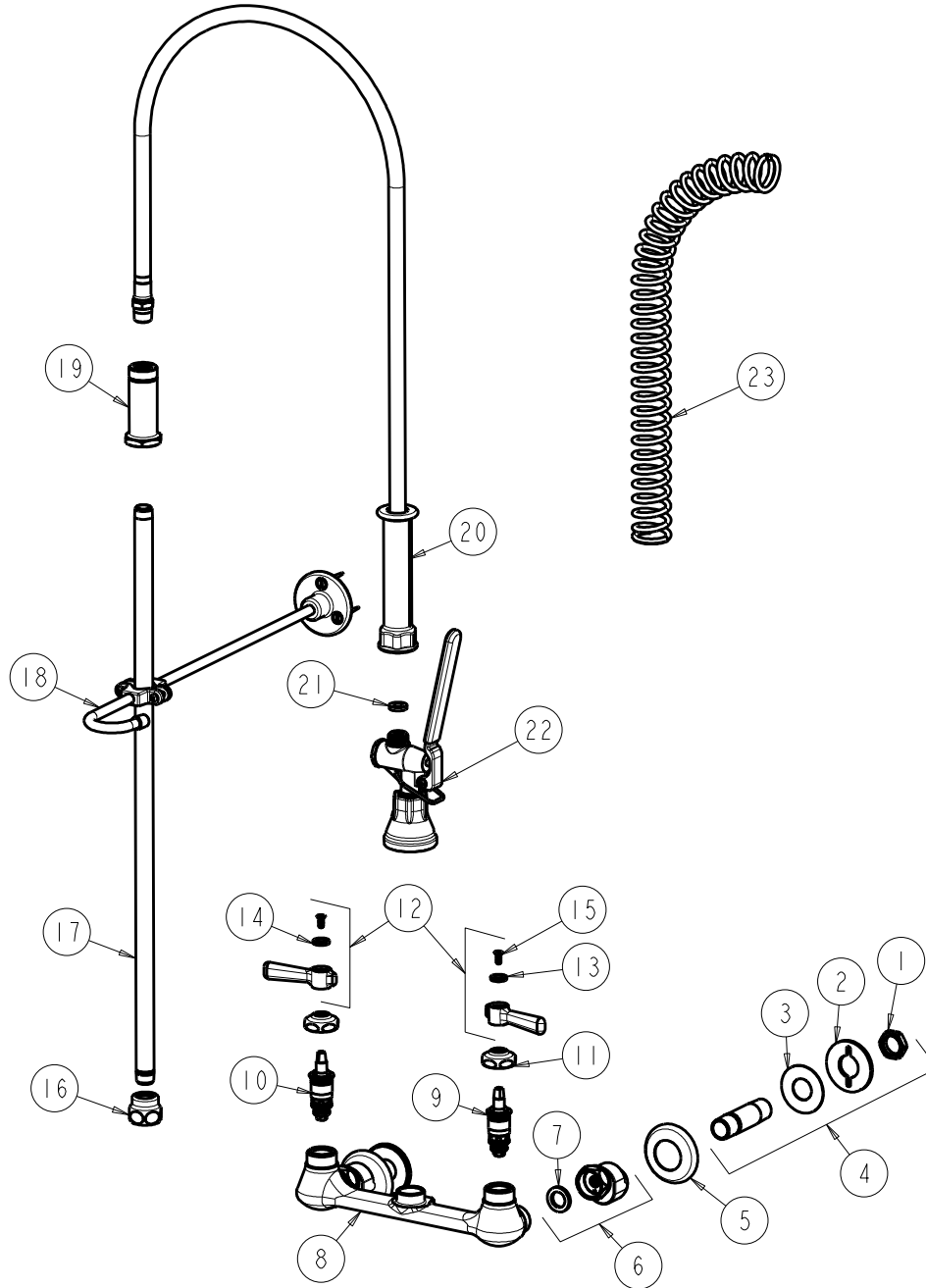
FITTING NO.

510-GCLWSLABCP

SUBMITTED MODEL NO.

ITEM NO.

**FOR TECHNICAL ASSISTANCE**  
1-800-TEC-TRUE (1-800-832-8783)



| ITEM | PART NO.        | DESCRIPTION                      | ITEM | PART NO.      | DESCRIPTION                      |
|------|-----------------|----------------------------------|------|---------------|----------------------------------|
| 1    | 49-004JKRBF     | LOCKNUT                          | 13   | 633-123JKNF   | INDEX BUTTON (BLUE)              |
| 2    | 807-112JKNF     | WASHER                           | 14   | 633-023JKNF   | INDEX BUTTON (RED)               |
| 3    | 52-007JKNF      | WASHER, RUBBER                   | 15   | 420-010JKRCF  | SCREW, 10-32 UNC PH 1/2          |
| 4    | 932-001KJKABRBF | INLET SHANK ASSEMBLY             | 16   | BA2JKABCP     | ADAPTER 3/8 NPT X 1 1/16-18 UNEF |
| 5    | 1-055JKCP       | FLANGE                           | 17   | 919-039JKABCP | 3/8" NPT X 23" RISER             |
| 6    | GCJKABCP        | ARM ASSEMBLY 'GC' WITH WASHER    | 18   | 902-MHJKCP    | PIPE STRAP AND HOOK ASSEMBLY     |
| 7    | 1-011JKABNF     | WASHER, .97 X .62 X .12          | 19   | 919-038JKABCP | GUIDE SHANK                      |
| 8    | -----           | VALVE BODY (NOT SOLD SEPARATELY) | 20   | 83-44ABNF     | 44" HOSE AND HANDLE ASSEMBLY     |
| 9    | 1-099XTJKABNF   | QUATURN CARTRIDGE (RH)           | 21   | 919-243JKABNF | GASKET, .685 X .375 X .125       |
| 10   | 1-100XTJKABNF   | QUATURN CARTRIDGE (LH)           | 22   | 90-LABCP      | PRE-RINSE VALVE, LOW FLOW        |
| 11   | 1-214JKCP       | CAP                              | 23   | 919-014JKCP   | SPRING                           |
| 12   | 369-PRJKCP      | HANDLE, 2-3/8" LEVER (PAIR)      |      |               |                                  |