


**CHICAGO FAUCETS** 

a Geberit company

**FOR TECHNICAL ASSISTANCE**  
1-800-TEC-TRUE (1-800-832-8783)

2100 South Clearwater Drive  
Des Plaines, IL 60018  
Phone: 847-803-5000  
Fax: 847-803-5454  
www.chicagofaucets.com

**REPAIR PARTS**

BY: JAR    DATE: 05-22-13  
CHK:     REV:

FITTING NO.

**SEE SCHEDULE**

SUBMITTED MODEL NO.

ITEM NO.

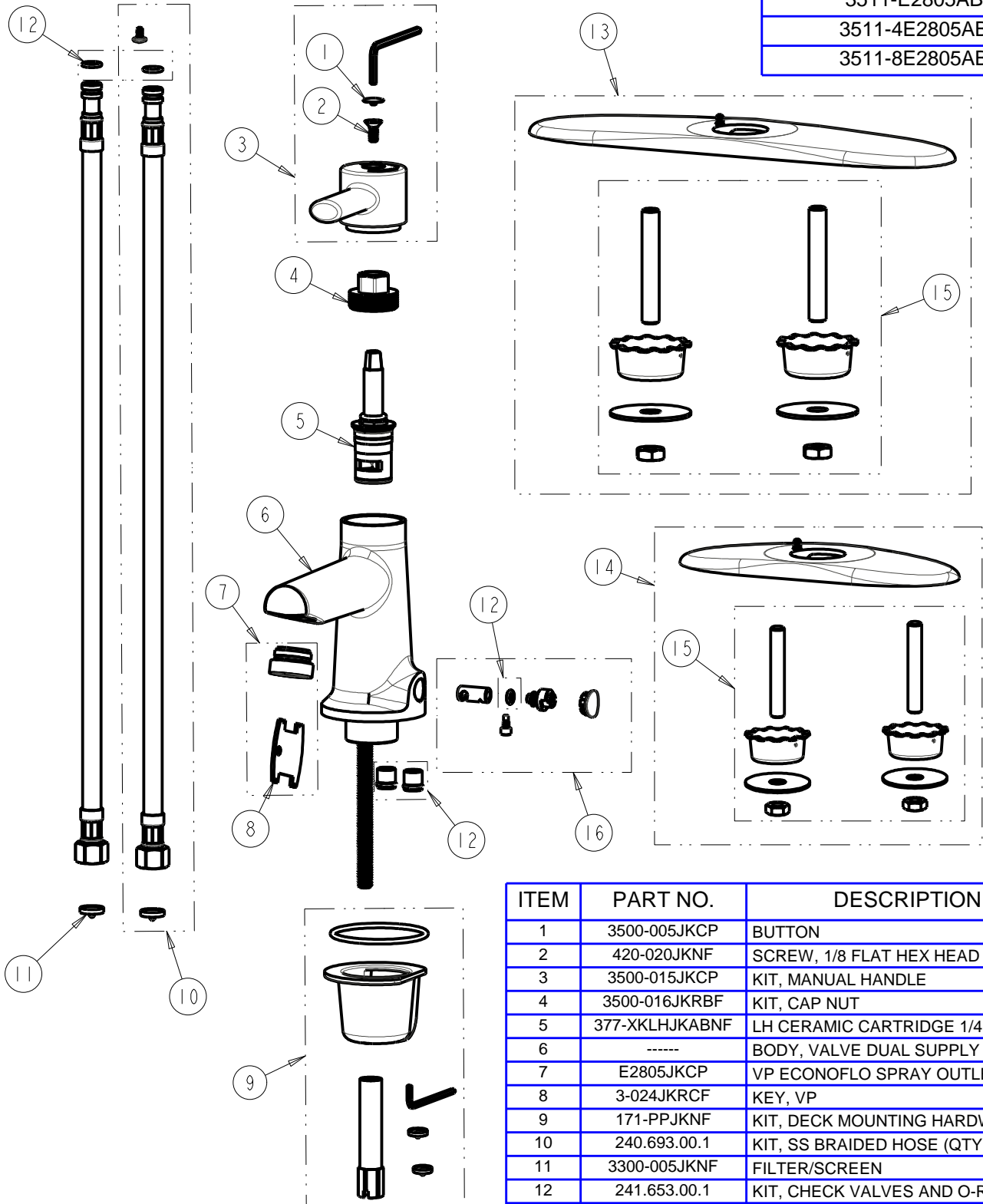
**SCHEDULE**

FITTING NO.

3511-E2805AB

3511-4E2805AB

3511-8E2805AB



ITEM	PART NO.	DESCRIPTION
1	3500-005JKCP	BUTTON
2	420-020JKNF	SCREW, 1/8 FLAT HEX HEAD X 1/2
3	3500-015JKCP	KIT, MANUAL HANDLE
4	3500-016JKRBF	KIT, CAP NUT
5	377-XKLHJKABNF	LH CERAMIC CARTRIDGE 1/4
6	-----	BODY, VALVE DUAL SUPPLY
7	E2805JKCP	VP ECONOFLO SPRAY OUTLET w/KEY
8	3-024JKRCF	KEY, VP
9	171-PPJKNF	KIT, DECK MOUNTING HARDWARE
10	240.693.00.1	KIT, SS BRAIDED HOSE (QTY 1)
11	3300-005JKNF	FILTER/SCREEN
12	241.653.00.1	KIT, CHECK VALVES AND O-RINGS
13	3500-002KJKCP	KIT, COVER PLATE 8 IN
14	3500-001KJKCP	KIT, COVER PLATE 4 IN
15	242.872.21.1	KIT, COVER PLATE MOUNTING
16	3500-003KJKNF	KIT, MIXING