



a Geberit company

2100 South Clearwater Drive  
Des Plaines, IL 60018  
Phone: 847-803-5000  
Fax: 847-803-5454  
www.chicagofaucets.com

# REPAIR PARTS

BY: JAR      DATE: 10-29-08  
CHK: *[Signature]*      REV:

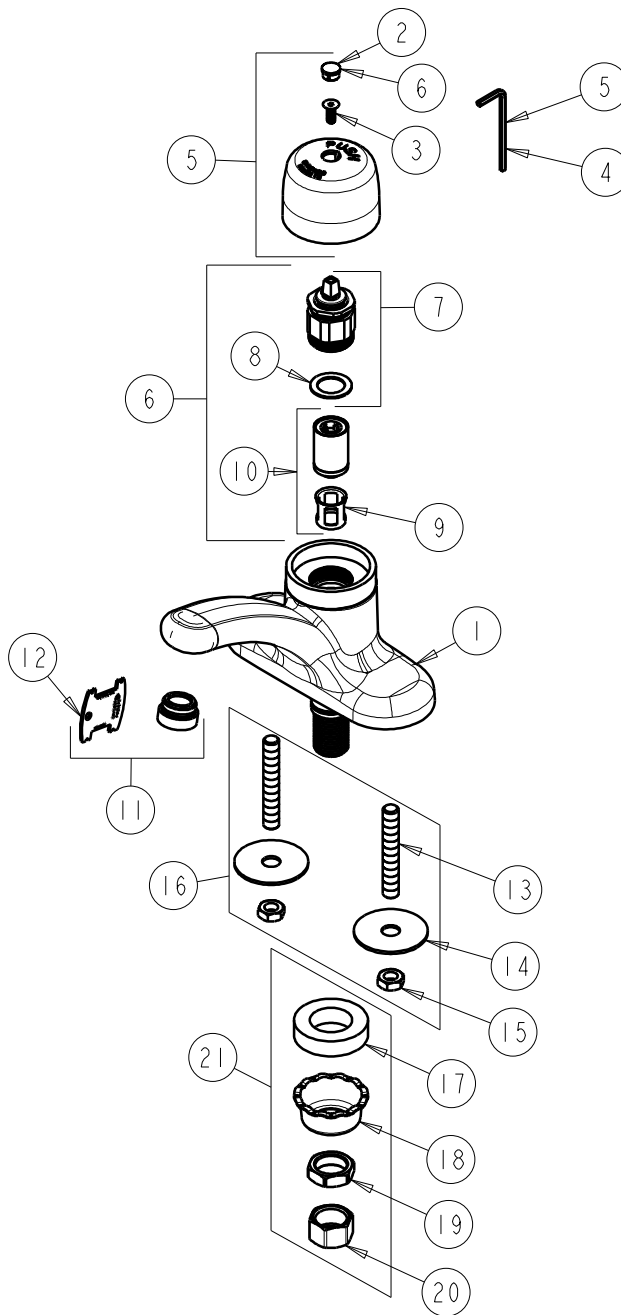
FITTING NO.

**3400-ABCP**

SUBMITTED MODEL NO.

ITEM NO.

**FOR TECHNICAL ASSISTANCE**  
**1-800-TEC-TRUE (1-800-832-8783)**



ITEM	PART NO.	DESCRIPTION	ITEM	PART NO.	DESCRIPTION
1	—	BODY (NOT SOLD SEPARATELY)	11	E2805JKCP	VP ECONOFLO SPRAY OUTLET w/KEY
2	2500-005JKCP	HANDLE BUTTON	12	3-024JKRCF	KEY, VP
3	420-020JKNF	SCREW, 1/8 FLAT HEX HEAD X 1/2	13	634-215JKRBF	STUD, 3/8-24 UNF X 2.5
4	420-022JKNF	WRENCH, 1/8 HEX.	14	634-124JKNF	WASHER, STEEL 1.75 X .43 X .06
5	3400-002JKCP	HANDLE KIT	15	689-113JKRBF	NUT, 3/8-24 UNF X .56 X .22
6	3300-103KJKNF	ACTUATOR & CARTRIDGE KIT	16	126-PPJKNF	PRE-PACK, MOUNTING HARDWARE
7	3300-003KJKNF	ACTUATOR ASSEMBLY	17	555-313JKNF	WASHER
8	3300-006JKNF	WASHER	18	1797-114JKNF	BASIN COCK WASHER
9	667-402JKNF	FILTER	19	49-004JKRBF	LOCKNUT
10	671-XJKNF	MVP CARTRIDGE	20	49-005JKRBF	COUPLING NUT
	(3300-006JKNF REQUIRED - SOLD SEPARATELY)		21	150-PPJKNF	PRE-PACK BLUE BAG