

CHICAGO FAUCETS 

a Geberit company

FOR TECHNICAL ASSISTANCE
1-800-TEC-TRUE (1-800-832-8783)

2100 South Clearwater Drive
Des Plaines, IL 60018
Phone: 847-803-5000
Fax: 847-803-5454
www.chicagofaucets.com

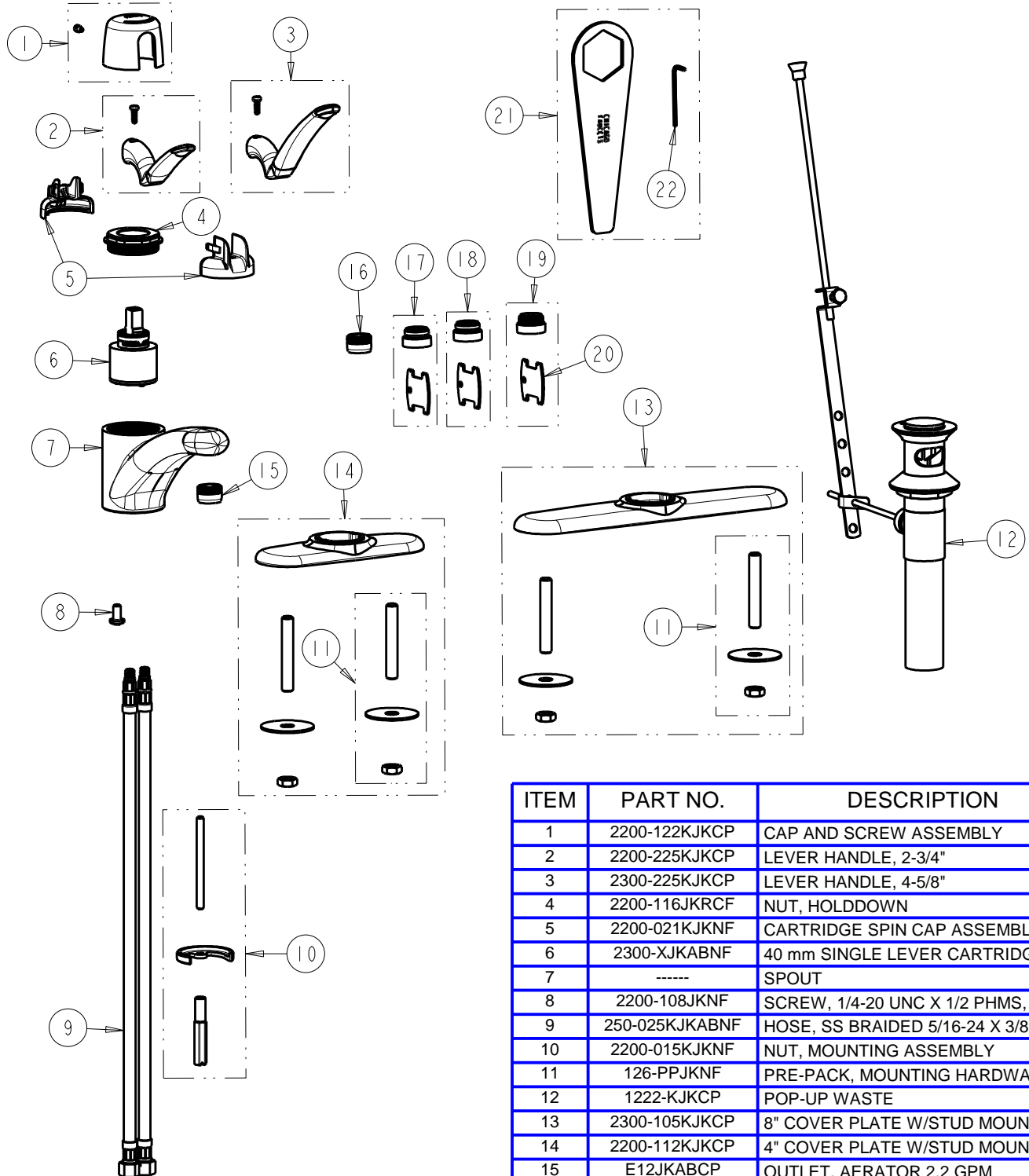
REPAIR PARTS

BY: JAR DATE: 10-31-13
CHK: REV:

FITTING NO.
2200-2201-SERIES

SUBMITTED MODEL NO.

ITEM NO.



ITEM	PART NO.	DESCRIPTION
1	2200-122KJKCP	CAP AND SCREW ASSEMBLY
2	2200-225KJKCP	LEVER HANDLE, 2-3/4"
3	2300-225KJKCP	LEVER HANDLE, 4-5/8"
4	2200-116JKRCF	NUT, HOLDDOWN
5	2200-021KJKNF	CARTRIDGE SPIN CAP ASSEMBLY
6	2300-XJKABNF	40 mm SINGLE LEVER CARTRIDGE
7	-----	SPOUT
8	2200-108JKNF	SCREW, 1/4-20 UNC X 1/2 PHMS, 1
9	250-025KJKABNF	HOSE, SS BRAIDED 5/16-24 X 3/8
10	2200-015KJKNF	NUT, MOUNTING ASSEMBLY
11	126-PPJKNF	PRE-PACK, MOUNTING HARDWARE
12	1222-KJKCP	POP-UP WASTE
13	2300-105KJKCP	8" COVER PLATE W/STUD MOUNT
14	2200-112KJKCP	4" COVER PLATE W/STUD MOUNT
15	E12JKABCP	OUTLET, AERATOR 2.2 GPM
16	E37JKABCP	OUTLET, PCA LAMINAR 1.5GPM
18	E39VPJKABCP	OUTLET, VP SPRAY w/KEY 0.35 GPM
19	E12VPJKABCP	OUTLET, VP AERATOR w/KEY 2.2 GPM
20	3-024JKRCF	KEY, VP
21	2200-002KJKNF	WRENCH & HEX KEY
22	665-505JKNF	3/32" HEX KEY