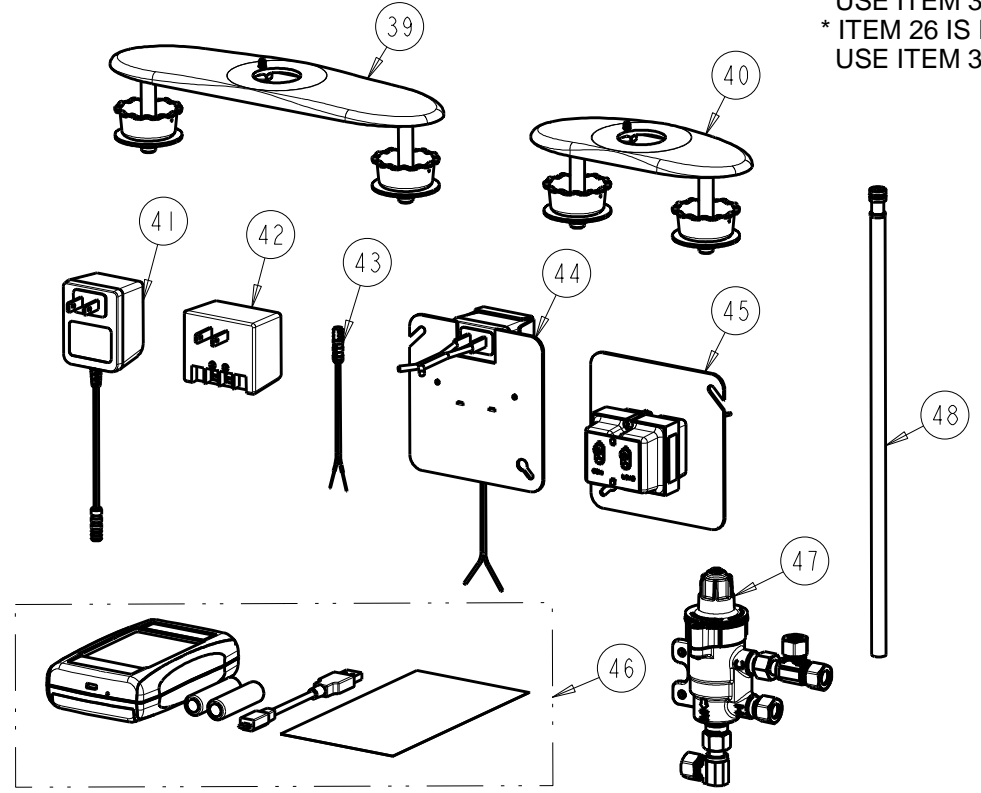


ITEM	PART NO.	DESCRIPTION	ITEM	PART NO.	DESCRIPTION
1	242.432.00.1	KIT, AB BONNET	* 25	1020-006JKABNF	FLOW CONTROL 1.5 GPM MAX
2	242.574.00.1	KIT, MODULE TURBINE HYTRONIC	* 26	1020-005JKABNF	FLOW CONTROL 1.0 GPM MAX
3	242.433.00.1	KIT, AB MODULE FOR AC/DC	27	3-024JKRCF	KEY, VP
4	242.978.AB.1	KIT, UNIVERSAL SOLENOID VALVE	28	E2805JKABCP	OUTLET, VP SPRAY w/KEY 0.5 GPM
5	241.653.AB.1	KIT, CHECK VALVES & O-RINGS	29	E64VPJKABCP	OUTLET, VP LAMINAR w/KEY 1.0 GPM
6	240.753.00.1	SHUT-OFF SCREW ASSEMBLY	30	E37VPJKABCP	OUTLET, VP LAMINAR w/KEY 1.5 GPM
7	242.843.AB.1	KIT, MIXER INTERNAL	31	E12VPJKABCP	OUTLET, VP AERATOR w/KEY 2.2 GPM
8	242.895.00.1	KIT, HANDLE MIXER MODERN	32	242.757.AB.1	KIT, FLOW STRAIGHTENER w/KEY 1.5 GPM
9	242.844.AB.1	KIT, MIXER EXTERNAL	33	242.802.AB.1	KIT, FLOW STRAIGHTENER w/KEY 1.0 GPM
10	-----	BODY, NOT SOLD SEPARATELY	34	242.754.AB.1	KIT, SPOUT NO MIXER HOLE
11	242.835.00.1	KIT, DECK MOUNTING HARDWARE	35	242.756.AB.1	KIT, SPOUT w/ 1.5 GPM NO MIXER HOLE
12	3300-005JKABNF	FILTER/SCREEN	36	242.816.AB.1	KIT, SPOUT w/ 1.0 GPM NO MIXER HOLE
13	240.693.AB.1	KIT, SS BRAIDED HOSE (QTY 1)	37	242.797.AB.1	KIT, SPOUT w/ MIXER HOLE
14	131-ABNF	THERMOSTATIC, BELOW DECK MIXER	38	242.799.AB.1	KIT, SPOUT w/ MIXER HOLE 1.5 GPM
15	-----	HOSE, 3/8" COM x 3/8" COM x 12" L	39	240.628.21.1	8" COVERPLATE ASSY, HYTRONIC
16	242.165.AB.1	MICHANICAL, BELOW DECK MIXER	40	240.627.21.1	4" COVERPLATE ASSY, HYTRONIC
17	122-ABNF	TEMPERING, MIXING VALVE	41	240.630.00.1	TRANSFORMER,SINGLE USE PLUG IN
18	-----	HOSE, 1/2" IPS x 3/8" COM x 18" L	42	242.559.00.1	TRANSFORMER, SINGLE-MULTI (US)
19	242.749.AB.1	GENERATOR, COMPLETE UNIT	43	242.340.00.1	ADAPTER WIRE, BANK INSTALLATION
20	242.750.00.1	COVER, SSSPS US	44	240.631.00.1	TRANSFORMER, MULTI-USE HARDWIRE
21	242.751.00.1	KIT, WALL MOUNTING SSSPS US	45	242.659.00.1	TRANSFORMER, MULTI HARDWIRE (US)
22	242.568.00.1	POWER ADAPTER SSSPS, (GREEN)	46	116.585.00.1	CFC SERVICE REMOTE
23	240.747.00.1	POWER ADAPTER AC, (BLACK)	47	131-CABNF	THERMOSTATIC, BELOW DECK MIXER
24	242.560.00.1	BATTERY CR-P2 6V (QTY. 6)	48	240.632.00.1	SUPPLY TUBE ASSEMBLY

* ITEM 25 IS INCLUDED ONLY IN ITEM 34 AND 37
 USE ITEM 32 WITH THIS FLOW CONTROL.
 * ITEM 26 IS INCLUDED ONLY IN ITEM 35
 USE ITEM 33 WITH THIS FLOW CONTROL.



EDGE SERIES

116.750.AB.1
116.758.AB.1
116.760.AB.1
116.768.AB.1
116.770.AB.1
116.778.AB.1
116.850.AB.1
116.858.AB.1
116.860.AB.1
116.868.AB.1
116.870.AB.1
116.878.AB.1
116.930.AB.1
116.938.AB.1
116.940.AB.1
116.948.AB.1
116.950.AB.1
116.958.AB.1
116.960.AB.1
116.968.AB.1
116.970.AB.1
116.978.AB.1

CHICAGO FAUCETS
 a Geberit company

2100 South Clearwater Drive
 Des Plaines, IL 60018
 Phone: 847-803-5000
 Fax: 847-803-5454
 www.chicagofaucets.com

FOR TECHNICAL ASSISTANCE
 1-800-TEC-TRUE (1-800-832-8783)

REPAIR PARTS

BY: JAR DATE: 11-12-13
 CHK: REV:

FITTING NO.	
116-EDGE-SERIES	
SUBMITTED MODEL NO.	
ITEM NO.	