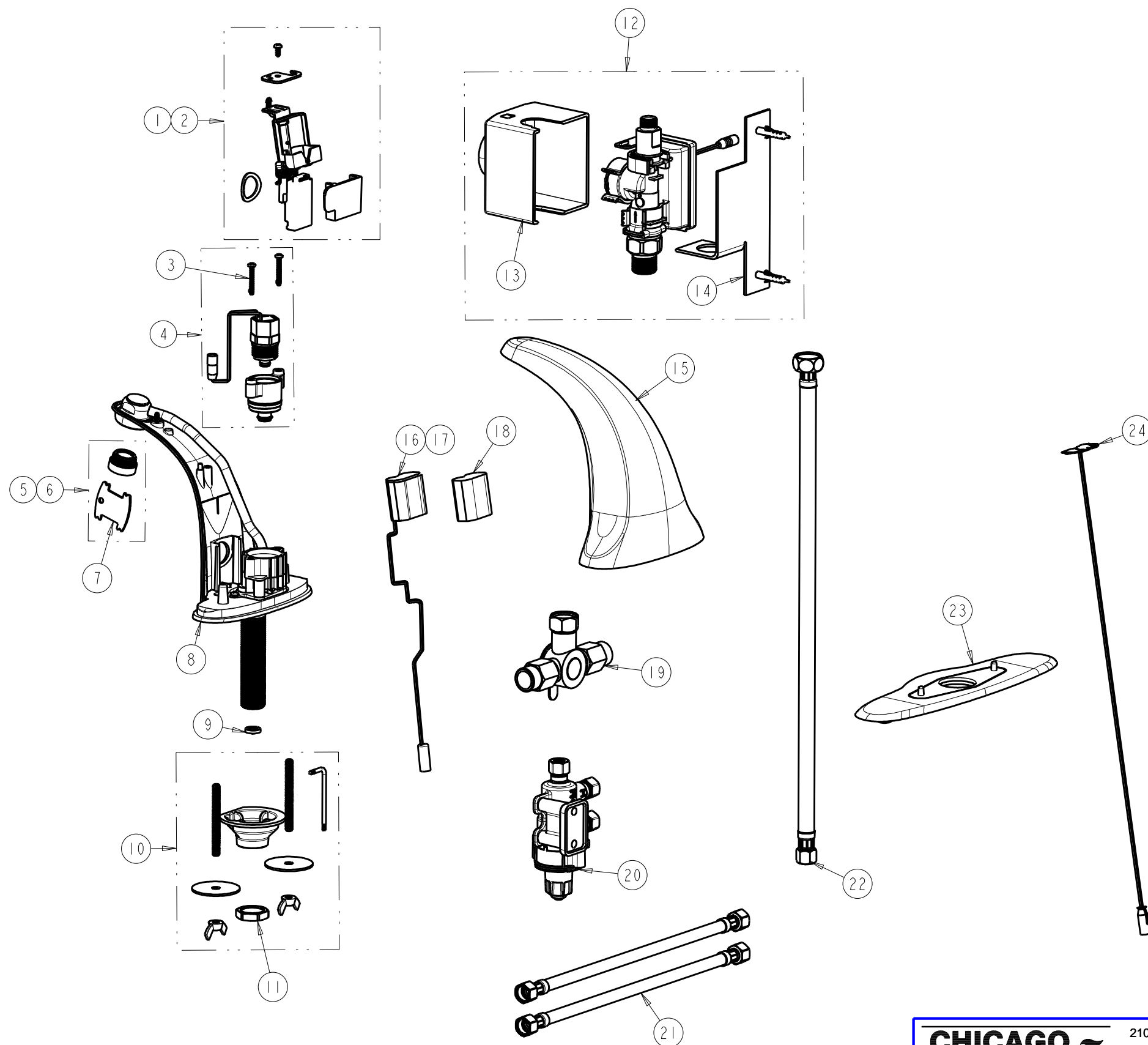


**E-TRONIC SERIES**

- 116.606.AB.1
- 116.606.AB.M
- 116.706.AB.1
- 116.706.AB.M
- 116.707.AB.1
- 116.707.AB.M
- 116.956.AB.1
- 116.966.AB.1
- 116.976.AB.1



ITEM	PART NO.	DESCRIPTION
1	242.575.00.1	KIT, SSPS E-TRONIC MODULE
2	242.337.00.1	KIT, E-TRONIC MODULE
3	-----	SCREW, 6-32 PAN HEAD MACHINE
4	242.979.AB.1	SOLENOID & ADAPTER KIT (Assembled)
5	E2805JKABCP	OUTLET, VP SPRAY w/KEY 0.5 GPM
6	E64VPJKABCP	OUTLET, VP LAMINAR w/KEY 1.0 GPM
7	3-024JKRCF	KEY, VP
8	-----	BASE (NOT SOLD SEPARATELY)
9	3300-005JKABNF	FILTER/SCREEN
10	242.339.00.1	KIT, DECK MOUNTING HARDWARE
11	49-004JKRBF	LOCKNUT
12	242.749.AB.1	GENERATOR, COMPLETE UNIT
13	242.750.00.1	COVER, SSPS US
14	242.751.00.1	KIT, WALL MOUNTING SSPS US
15	242.338.21.1	SPOUT COVER
16	242.568.00.1	POWER ADAPTER SSPS, (GREEN)
17	240.747.00.1	POWER ADAPTER AC, (BLACK)
18	242.560.00.1	BATTERY CR-P2 6V (QTY. 6)
19	242.165.AB.1	MICHANICAL, BELOW DECK MIXER
20	131-ABNF	THERMOSTATIC BELOW DECK MIXER
21	-----	HOSE, 3/8" COM x 3/8" COM x 12" L
22	-----	HOSE, 1/2" IPS x 3/8" COM x 18" L
23	242.164.21.1	COVER PLATE 8"
24	243.290.00.1	BATTERY BACK-UP HYTR-ETRONIC

**CHICAGO FAUCETS**  
 a Geberit company  
 2100 South Clearwater Drive  
 Des Plaines, IL 60018  
 Phone: 847-803-5000  
 Fax: 847-803-5454  
 www.chicagofaucets.com

FOR TECHNICAL ASSISTANCE  
 1-800-TEC-TRUE (1-800-832-8783)

**REPAIR PARTS**

BY: JAR DATE: 02-14-14  
 CHK: *JAR* REV: 07-29-16

FITTING NO.	116-E-TRONIC-SERIES
SUBMITTED MODEL NO.	
ITEM NO.	