



BRADFORD WHITE[®]

C O R P O R A T I O N

**LIGHT DUTY COMMERCIAL GAS
REPLACEMENT PARTS LIST**

DEFENDER

SAFETY SYSTEM[®]

**Light Duty
Through-The-Wall
TW4 Models**

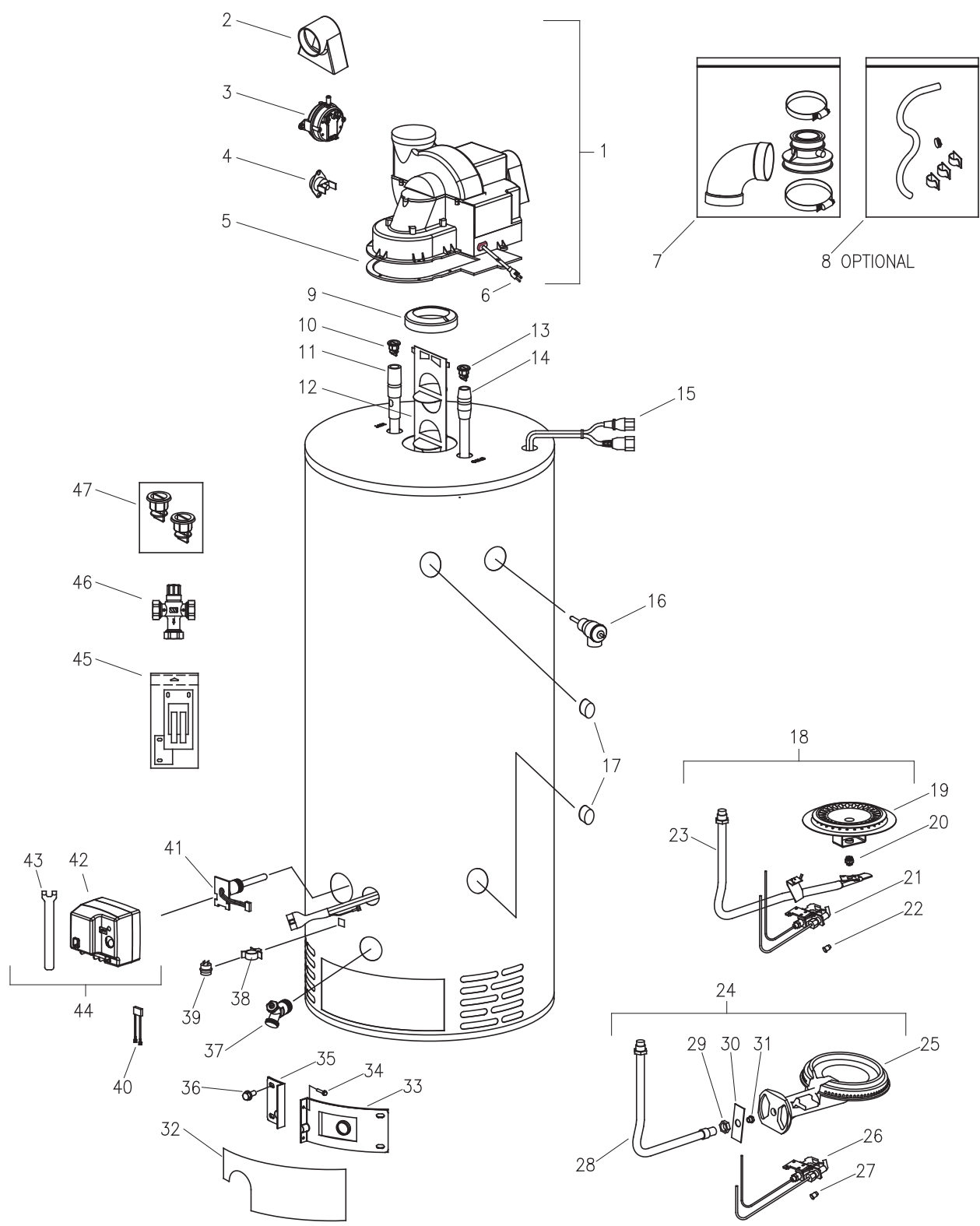


**Includes Hydrojet[®] Total
Performance System**

***Effective: September, 2006
ECO 7128-1***

**NOTE: BOTH MODEL AND SERIAL
NUMBERS ARE REQUIRED FOR
ORDERING REPLACEMENT
PARTS**

Dimensions and specification subject to
change without notice.



Reference Number & Description

1	Blower Complete
2	Air Mixing Inlet
3	Pressure Switch
4	Blower Temperature Switch
5	Blower Gasket
6	Blower Power Cord
7	3" Exhaust Adaptor with Vent Terminal
8	Condensate Hose Kit
9	Flue Reducer
10	Heat Trap Outlet
11	Hot Water Outlet Anode
12	Flue Baffle
13	Heat Trap Inlet
14	Cold Water Inlet Dip Tube
15	Safety Circuit Wire Harness
16	T&P Valve
17	3/4 NPT Plug
18	Natural Gas Burner Assembly Complete
19	Burner Head
20	Main Burner Orifice
21	Natural Gas Pilot Assembly with Electrode
22	Pilot Orifice
23	Natural Gas Feed Line
24	L.P. Gas Cast Iron Burner Assembly Complete
25	Cast Iron Burner
26	L.P. Gas Pilot Assembly with Electrode
27	L.P. Pilot Orifice
28	L.P. Gas Feed Line
29	Jam Nut
30	Air Shutter
31	L.P. Gas Main Burner Orifice
32	Outer Door
33	Right Side Inner Door
34	Screw #8-13 x 3/4
35	Left Side Inner Door
36	Screw #10-12 x 3/4
37	Brass Drain Valve
38	Flammable Vapor Sensor Clip
39	Flammable Vapor Sensor
40	Sensor Harness
41	Thermal Well
42	Gas Control
43	Gas Control Service Tool
44	Kit-Gas Control w/Service Tool
45	Inner Door Gasket Kit
46	ASSE Approved Mixing Valve
47	Heat Trap Insert Kit

Parts Common To TW4(50,65)S(67,70)FB*N Models

Reference Number and Description	Part Number
1 Blower Complete	239-45583-00
2 Air Mixing Inlet	239-45868-00
3 Pressure Switch	239-45867-02
4 Blower Temperature Switch	239-45865-00
5 Blower Gasket	239-45866-00
6 Blower Power Cord	239-45990-00
7 3" Vent Adaptor w/Vent Terminal	239-46264-00
9 Flue Reducer	243-42572-00
10 Heat Trap Outlet	239-45167-00
12 Flue Baffle	239-45373-00
13 Heat Trap Inlet	239-45073-00
15 Safety Circuit Wire Harness	239-45617-02
17 3/4 NPT Pipe Plug	239-11638-00
32 Outer Door	243-43962-00
34 Screw #8-15 x 3/4	239-44195-00
36 Screw #10-12 x 3/4	239-44113-00
38 Flammable Vapor Sensor Clip	239-45648-00
39 Flammable Vapor Sensor	239-45560-00
40 Sensor Harness	239-45620-00
41 Thermal Well	239-45651-02
42 Gas Control	222-45613-02
43 Gas Control Service Tool	239-45991-00
44 Kit-Gas Control Valve w/Service Tool	265-45613-02

Parts Unique to TW450S67FB*N

Reference Number and Description	Part Number
11 Hot Water Outlet Anode	224-32731-86
14 Cold Water Inlet Dip Tube (Polypropylene)	229-45398-01
16 T&P Valve	230-40594-02
18 Natural Gas Burner Assembly Complete	243-45652-02-26
19 Burner Head	228-42506-00
20 Main Burner Orifice	234-41034-26
21 Natural Gas Pilot Assembly with Electrode	233-45653-01
22 Pilot Orifice	234-45869-01
23 Natural Gas Feed Line	233-45615-02
33 Right Side Inner Door	239-45642-18
35 Left Side Inner Door	239-43968-18
37 Brass Drain Valve	227-42351-02

Parts Unique to TW465S70FB*N

Reference Number and Description	Part Number
11 Hot Water Outlet Anode	224-32731-83
14 Cold Water Inlet Dip Tube (Polypropylene)	229-45398-02
16 T&P Valve	230-40594-02
18 Natural Gas Burner Assembly Complete	243-45652-04-25
19 Burner Head	228-42506-00
20 Main Burner Orifice	234-41034-25
21 Natural Gas Pilot Assembly with Electrode	233-45653-02
22 Pilot Orifice	234-45869-01
23 Natural Gas Feed Line	233-45615-04
33 Right Side Inner Door	239-45642-20
35 Left Side Inner Door	239-43968-20
37 Brass Drain Valve	227-42351-01

Optional Parts Reference Number and Description

1 High Altitude Blower Complete	243-45986-00
3 High Altitude Pressure Switch	239-45867-04
8 Condensate Hose Kit	239-45875-00
11 Hot Water Outlet Anode (Aluminum) (50 Gal.)	224-32999-30
11 Hot Water Outlet Anode (Aluminum) (65 Gal.)	224-32999-06
11 Hot Water Outlet Anode (A420 Aluminum) (50 & 65 Gal.)	224-45147-01
14 Cold Water Inlet (Hydrojet) Assembly (PSDTA) (NC Code) (50 Gal.)	229-45092-01
14 Cold Water Inlet (Hydrojet) Assembly (PSDTA) (NC Code) (65 Gal.)	229-45092-03
20 High Altitude Orifice 2000 Ft. to 5000 Ft.	234-41034-29
20 High Altitude Orifice 5001 Ft. to 8000 Ft.	234-41034-30
20 High Altitude Orifice Over 8000 Ft.	234-41034-31
45 Inner Door Gasket Kit	239-44078-00
46 ASSE Approved Mixing Valve	239-43740-01
47 Heat Trap Insert Kit	265-45419-00

*Applies to all warranties.

Parts Common To TW4(50,65)S(67,70)FC*X Models

Reference Number and Description	Part Number
1 Blower Complete	239-45583-00
2 Air Mixing Inlet	239-45868-00
3 Pressure Switch	239-45867-02
4 Blower Temperature Switch	239-45865-00
5 Blower Gasket	239-45866-00
6 Blower Power Cord	239-45990-00
7 3" Vent Adaptor w/Vent Terminal	239-46264-00
9 Flue Reducer	243-42572-00
10 Heat Trap Outlet	239-45167-00
12 Flue Baffle	239-45373-00
13 Heat Trap Inlet	239-45073-00
15 Safety Circuit Wire Harness	239-45617-02
17 3/4 NPT Pipe Plug	239-11638-00
32 Outer Door	243-43962-00
34 Screw #8-15 x 3/4	239-44195-00
36 Screw #10-12 x 3/4	239-44113-00
38 Flammable Vapor Sensor Clip	239-45648-00
39 Flammable Vapor Sensor	239-45560-00
40 Sensor Harness	239-45620-00
41 Thermal Well	239-45651-02
42 Gas Control	222-45614-02
43 Gas Control Service Tool	239-45991-00
44 Kit-Gas Control Valve w/Service Tool	265-45614-02

Parts Unique to TW450S67FC*X

Reference Number and Description	Part Number
11 Hot Water Outlet Anode	224-32731-86
14 Cold Water Inlet Dip Tube (Polypropylene)	229-45398-01
16 T&P Valve	230-40594-02
24 L.P. Gas Burner Assembly Complete	243-45655-02-43
25 Cast Iron Burner	228-37743-00
26 L.P. Gas Pilot Assembly with Electrode	233-45653-03
27 Pilot Orifice	234-45869-02
28 L.P. Gas Feed Line	233-45616-02
29 Air Shutter Jam Nut	239-18197-00
30 Air Shutter	239-35466-00
31 Main Burner Orifice	234-35928-43
33 Right Side Inner Door	239-45642-18
35 Left Side Inner Door	239-43968-18
37 Brass Drain Valve	227-42351-02

Parts Unique to TW465S70FC*X

Reference Number and Description	Part Number
11 Hot Water Outlet Anode	224-32731-83
14 Cold Water Inlet Dip Tube (Polypropylene)	229-45398-02
16 T&P Valve	230-40594-02
24 L.P. Gas Burner Assembly Complete	243-45655-04-42
25 Cast Iron Burner	228-37743-00
26 L.P. Gas Pilot Assembly with Electrode	233-45653-04
27 Pilot Orifice	234-45869-02
28 L.P. Gas Feed Line	233-45616-04
29 Air Shutter Jam Nut	239-18197-00
30 Air Shutter	239-35466-00
31 Main Burner Orifice	234-35928-42
33 Right Side Inner Door	239-45642-20
35 Left Side Inner Door	239-43968-20
37 Brass Drain Valve	227-42351-01

Optional Parts Reference Number and Description

1 High Altitude Blower Complete	243-45986-00
3 High Altitude Pressure Switch	239-45867-04
8 Condensate Hose Kit	239-45875-00
11 Hot Water Outlet Anode (Aluminum) (50 Gal.)	224-32999-30
11 Hot Water Outlet Anode (Aluminum) (65 Gal.)	224-32999-06
11 Hot Water Outlet Anode (A420 Aluminum) (50 & 65 Gal.)	224-45147-01
14 Cold Water Inlet (Hydrojet) Assembly (PSDTA) (NC Code) (50 Gal.)	229-45092-01
14 Cold Water Inlet (Hydrojet) Assembly (PSDTA) (NC Code) (65 Gal.)	229-45092-03
31 High Altitude Orifice 2000 Ft. to 5000 Ft.	234-35928-44
31 High Altitude Orifice 5001 Ft. to 8000 Ft.	234-35928-47
31 High Altitude Orifice Over 8000 Ft.	234-35928-48
45 Inner Door Gasket Kit	239-44078-00
46 ASSE Approved Mixing Valve	239-43740-01
47 Heat Trap Insert Kit	265-45419-00

*Applies to all warranties.



Ambler, PA

For U.S. and Canada field service,
contact your professional installer or
local Bradford White sales representative.

Sales/800-523-2931
Fax/215-641-1670

Technical Support/800-334-3393
Fax/269-795-1089

Warranty/800-531-2111
Fax/269-795-1089

International:
Telephone/215-641-9400
Telefax/215-641-9750

Fax on Demand:
888-538-7833



Mississauga, ON

Sales/Technical Support
866-690-0961
905-238-0100

Fax/905-238-0105

Email

parts@bradfordwhite.com
techserv@bradfordwhite.com

www.bradfordwhite.com
www.bradfordwhitecanada.com