



BRADFORD WHITE[®]
W A T E R H E A T E R S

REPLACEMENT PARTS LIST
Residential & Light Duty
Commercial Gas Atmospheric Vent Models



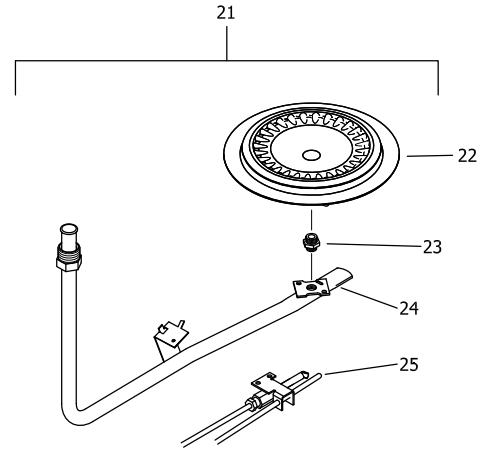
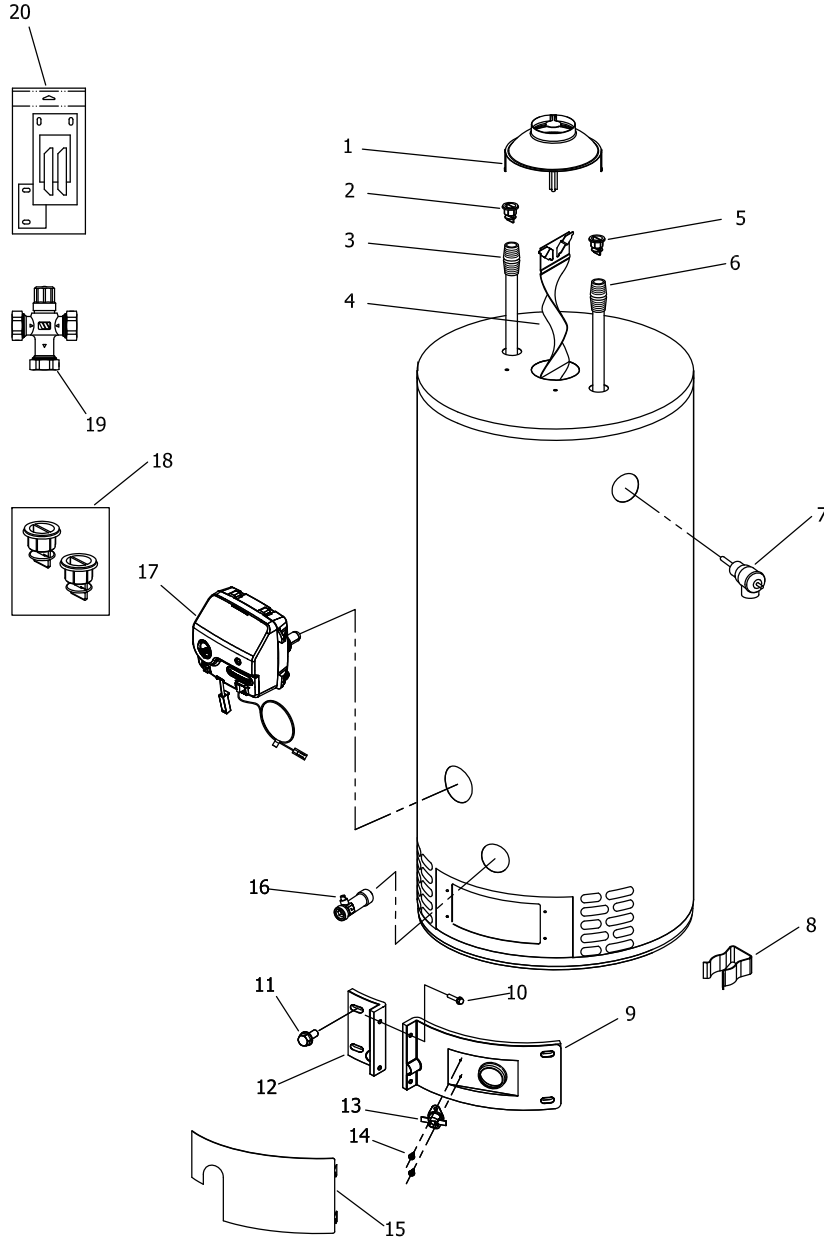
DEFENDER
SAFETY SYSTEM[®]

Includes Hydrojet[®]
Total Performance System

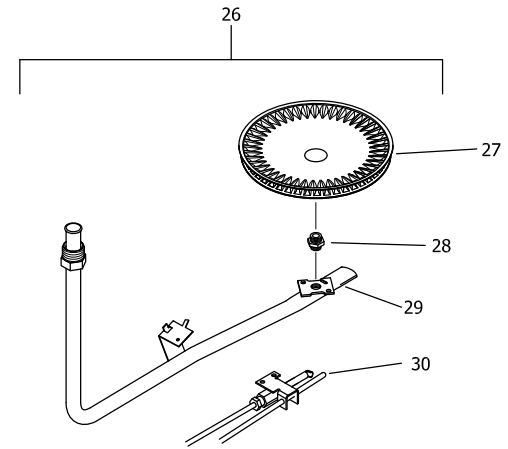
Effective: May, 2015
ECO 7950

**NOTE: BOTH MODEL AND SERIAL
NUMBERS ARE REQUIRED FOR
ORDERING REPLACEMENT PARTS**

Dimensions and specifications
subject to change without notice.



NATURAL GAS BURNER ASSEMBLY



LP GAS BURNER ASSEMBLY

Item	Description	Model	Model	Model
		RG130T*(N,X)	RG140T*(N,X)	RG150T*(N,X)
1	Draft Diverter	243-45787-00	243-45787-00	243-45787-00
2	Heat Trap Insert (Outlet)	239-45167-00	239-45167-00	239-45167-00
3	Hot Water Outlet Anode (Magnesium) ▲#	224-47776-19	224-47776-19	224-47776-19
	Hot Water Outlet (Aluminum) ▲#	224-32999-42	224-32999-42	224-32999-42
	Hot Water Outlet (A420 Aluminum) ▲#	224-49560-08	224-49560-08	224-49560-08
4	Flue Baffle	243-51480-00	243-51477-00	243-51477-00
5	Heat Trap Insert (Inlet)	239-51556-00	239-51556-00	239-51556-00
6	Cold Water Inlet Dip Tube (PEX) ▲▲	229-51230-20	229-51230-19	229-51230-24
7	T&P Relief Valve	230-40594-02	230-40594-02	230-40594-02
8	Feedline Clip	239-47475-00	239-47475-00	239-47475-00
9	Right Side Inner Door Complete	239-43963-01	239-43963-04	239-43963-06
10	Screw-#8-18 x 3/4 HWH	239-44195-00	239-44195-00	239-44195-00
11	Screw-#10-12 x 3/4 HWH	239-44113-00	239-44113-00	239-44113-00
12	Left Side Inner Door Complete	239-43968-14	239-43968-16	239-43968-18
13	Resettable Thermal Switch	239-43676-02	239-43676-02	239-43676-01
14	Screw-#6-20 x 3/8 PHCR	239-43967-00	239-43967-00	239-43967-00
15	Outer Door	243-43962-00	243-43962-00	243-43962-00
16	Brass Drain Valve	265-42351-02	265-42351-02	265-42351-02
17	Gas Control (Nat. Gas)**	239-47463-01	239-47463-01	239-47463-01
	Gas Control Direct (LP Gas)**	239-47465-01	239-47465-01	239-47465-01
18	Kit-Heat Trap Insert	239-51572-00	239-51572-00	239-51572-00
19	ASSE Approved Mixing Valve (Optional)	239-43740-01	239-43740-01	239-43740-01
20	Inner Door Gasket Kit	239-44078-00	239-44078-00	239-44078-00
	Natural Gas Burner Assembly			
21	Nat Gas Burner Assembly Complete**** **	265-51668-01-39	265-51668-02-35	239-48037-03-35
22	Nat. Gas Burner**	228-42506-00	228-42506-00	228-42506-00
23	Nat. Gas Main Burner Orifice** (0 Ft. to 2,000 Ft.)	234-41034-39	234-41034-35	234-41034-35
	Nat. Gas High Altitude Orifice 0 Ft. to 7,000 Ft. (-475 model suffixes) **	234-41034-43	234-41034-39	234-41034-39
	Nat. Gas High Altitude Kit 7,001 Ft. to 10,000 Ft.	TBD	TBD	TBD
24	Feedline	233-48094-01	233-48094-02	233-48094-03
25	Nat. Gas Pilot Assembly**	233-51586-02	233-51586-02	233-47845-05
	LP Gas Burner Assembly			
26	LP Gas Burner Assembly Complete**** **	265-48038-01-53	265-48038-02-51	265-48038-02-51
27	LP Gas Burner**	228-46964-00	228-46964-00	228-46964-00
28	LP Gas Main Burner Orifice**	234-47064-53	234-47064-52	234-47064-52
	LP Gas High Altitude Orifice 0 Ft. to 7,000 Ft. (-475 model suffixes) **	234-47064-54	234-47064-53	234-47064-53
	LP Gas High Altitude Orifice 7,001 Ft. to 10,000 Ft.**	TBD	TBD	TBD
29	Feedline	233-47108-01	233-47108-02	233-47108-03
30	LP Gas Pilot Assembly**	233-47846-01	233-47846-02	233-47846-02
	LP to Nat. Gas Conversion Kit	265-47452-39	265-47452-41	265-45712-84
	LP to Nat. Gas High Altitude Conversion Kit (-475 model suffixes)	265-47452-40	265-47452-42	265-45712-85

*Applies to all warranties

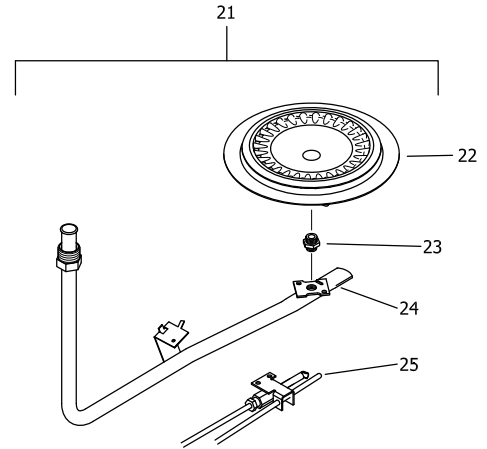
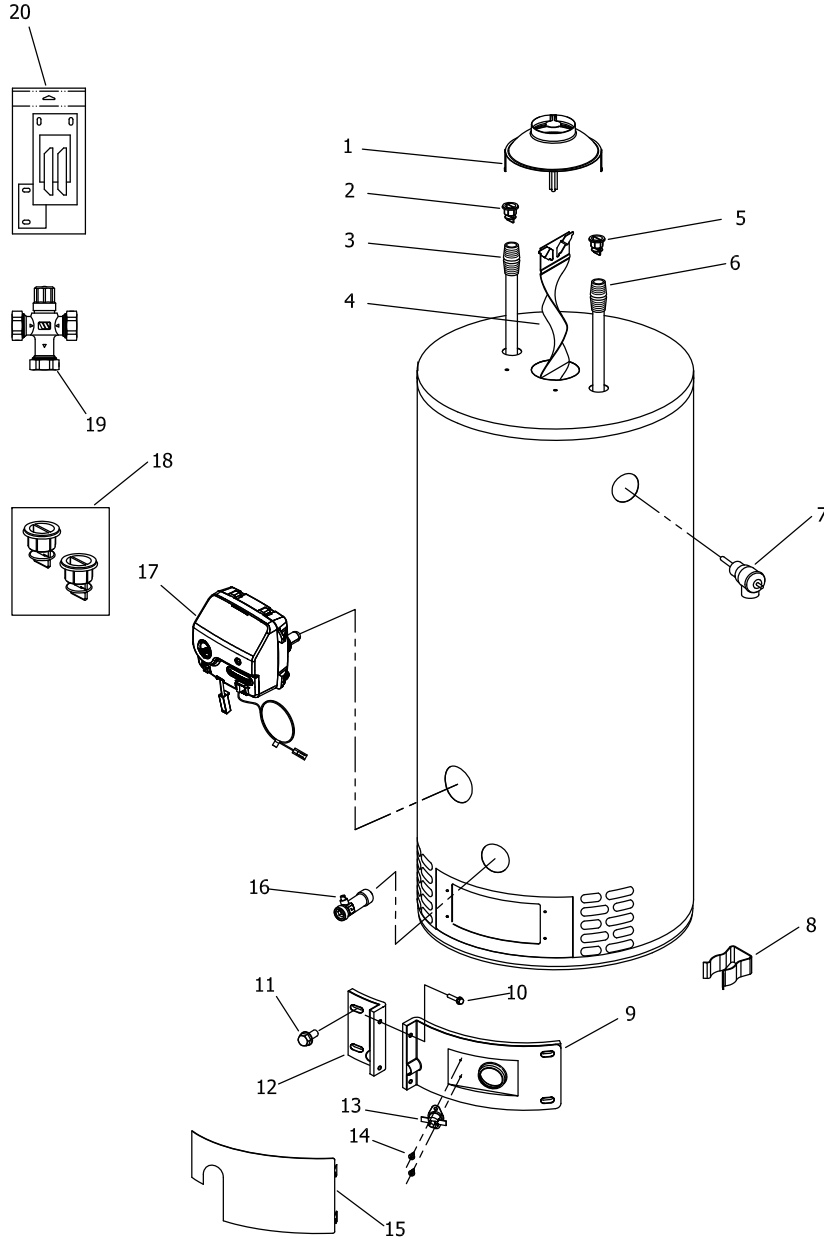
**Inner door gasket kit recommended

***Ordering a complete burner assembly may increase delivery time.
Please order the specific component required for the quickest delivery.

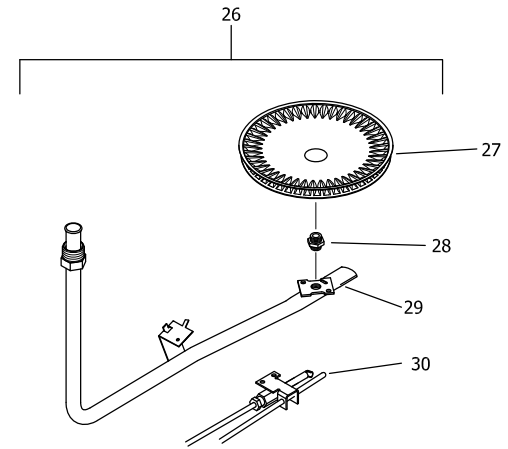
▲ Order with item 2

▲▲ Order with item 5

Anode may need to be cut to length



NATURAL GAS BURNER ASSEMBLY



LP GAS BURNER ASSEMBLY

Item	Description	Model	Model	Model	Model
		RG230S*(N,X)	RG230T*(N,X)	RG240S*(N,X)	RG240T*(N,X)
1	Draft Diverter	243-45787-00	243-45787-00	243-45787-00	243-45787-00
2	Heat Trap Insert (Outlet)	239-45167-00	239-45167-00	239-45167-00	239-45167-00
3	Hot Water Outlet Anode (Magnesium)▲#	224-47776-19	224-47776-19	224-47776-19	224-47776-19
	Hot Water Outlet (Aluminum)▲#	224-32999-42	224-32999-42	224-32999-42	224-32999-42
	Hot Water Outlet (A420 Aluminum)▲#	224-49560-08	224-49560-08	224-49560-08	224-49560-08
4	Flue Baffle	243-45226-00	243-44639-00	243-50993-00	243-50065-03
5	Heat Trap Insert (Inlet)	239-51556-00	239-51556-00	239-51556-00	239-51556-00
6	Cold Water Inlet Dip Tube (PEX)▲▲	229-51230-20	229-51230-19	229-51230-24	229-51230-21
7	T&P Relief Valve	230-40594-02	230-40594-02	230-40594-02	230-40594-02
8	Feedline Clip	239-47475-00	239-47475-00	239-47475-00	239-47475-00
9	Right Side Inner Door Complete (Nat. Gas)	239-43963-03	239-43963-02	239-43963-07	239-43963-05
	Right Side Inner Door Complete (LP Gas)	239-43963-03	239-43963-02	239-43963-07	239-43963-04
10	Screw-#8-18 x 3/4 HWH	239-44195-00	239-44195-00	239-44195-00	239-44195-00
11	Screw-#10-12 x 3/4 HWH	239-44113-00	239-44113-00	239-44113-00	239-44113-00
12	Left Side Inner Door Complete	239-43968-16	239-43968-14	239-43968-18	239-43968-16
13	Resettable Thermal Switch (Nat. Gas)	239-43676-01	239-43676-03	239-43676-02	239-43676-03
	Resettable Thermal Switch (LP Gas)	239-43676-01	239-43676-03	239-43676-02	239-43676-02
14	Screw-#6-20 x 3/8 PHCR	239-43967-00	239-43967-00	239-43967-00	239-43967-00
15	Outer Door	243-43962-00	243-43962-00	243-43962-00	243-43962-00
16	Brass Drain Valve	265-42351-02	265-42351-02	265-42351-02	265-42351-02
17	Gas Control Direct Replacement (Nat. Gas)	239-47463-02	239-47463-02	239-47463-02	239-47463-02
	Gas Control Direct Replacement (LP Gas)	239-47465-02	239-47465-02	239-47465-02	239-47465-02
	Gas Control Universal Replacement (Nat. Gas)	239-47851-00	239-47851-00	239-47851-00	239-47851-00
	Gas Control Universal Replacement (LP Gas)	239-47856-00	239-47856-00	239-47856-00	239-47856-00
18	Kit-Heat Trap Insert	239-51572-00	239-51572-00	239-51572-00	239-51572-00
19	ASSE Approved Mixing Valve (Optional)	239-43740-01	239-43740-01	239-43740-01	239-43740-01
20	Inner Door Gasket Kit	239-44078-00	239-44078-00	239-44078-00	239-44078-00
Natural Gas Burner Assembly					
21	Nat Gas Burner Assembly Complete*** **	265-48037-03-38	265-48037-02-36	265-48037-04-32	265-48037-03-32
22	Nat. Gas Burner**	228-42506-00	228-42506-00	228-42506-00	228-42506-00
23	Nat. Gas Main Burner Orifice** (0 Ft. to 2,000 Ft.)	234-41034-38	234-41034-36	234-41034-32	234-41034-32
	Nat. Gas High Altitude Orifice 0 Ft. to 7,000 Ft. (-475 model suffixes) **	234-41034-42	234-41034-41	234-41034-36	234-41034-36
	Nat. Gas High Altitude Kit 7,001 Ft. to 10,000 Ft.	265-51311-02-44	265-51311-02-43	265-51311-02-40	265-51311-02-40
24	Feedline	233-48094-03	233-48094-02	233-48094-04	233-48094-03
25	Nat. Gas Pilot Assembly**	233-47845-05	233-47845-05	233-47845-05	233-47845-05
LP Gas Burner Assembly					
26	LP Gas Burner Assembly Complete*** **	265-48038-03-53	265-48038-02-60	265-48038-04-50	265-48038-03-52
27	LP Gas Burner**	228-46964-00	228-46964-00	228-46964-00	228-46964-00
28	LP Gas Main Burner Orifice**	234-47064-53	234-47064-60	234-47064-50	234-47064-52
	LP Gas High Altitude Orifice 0 Ft. to 7,000 Ft. (-475 model suffixes) **	234-47064-54	234-47064-54	234-47064-52	234-47064-53
	LP Gas High Altitude Orifice 7,001 Ft. to 10,000 Ft.**	265-51367-02-55	265-51367-02-54	265-51367-02-53	265-51367-02-54
29	Feedline	233-47108-03	233-47108-02	233-47108-04	233-47108-03
30	LP Gas Pilot Assembly**	233-47846-05	233-47846-05	233-47846-05	233-47846-05
	LP to Nat. Gas Conversion Kit	265-45712-72	265-45712-09	265-45712-75	265-45712-10
	LP to Nat. Gas High Altitude Conversion Kit (-475 model suffixes)	265-45712-73	265-45712-74	265-45712-76	265-45712-77

*Applies to all warranties

▲ Order with item 2

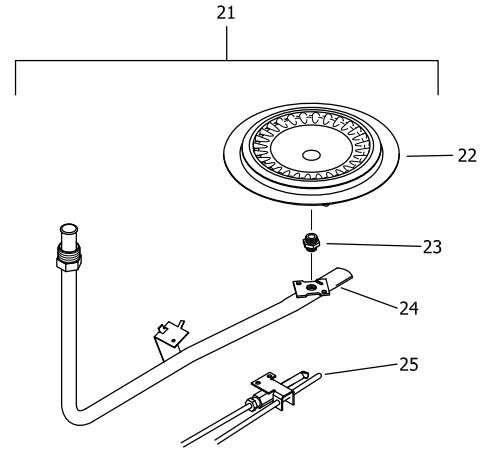
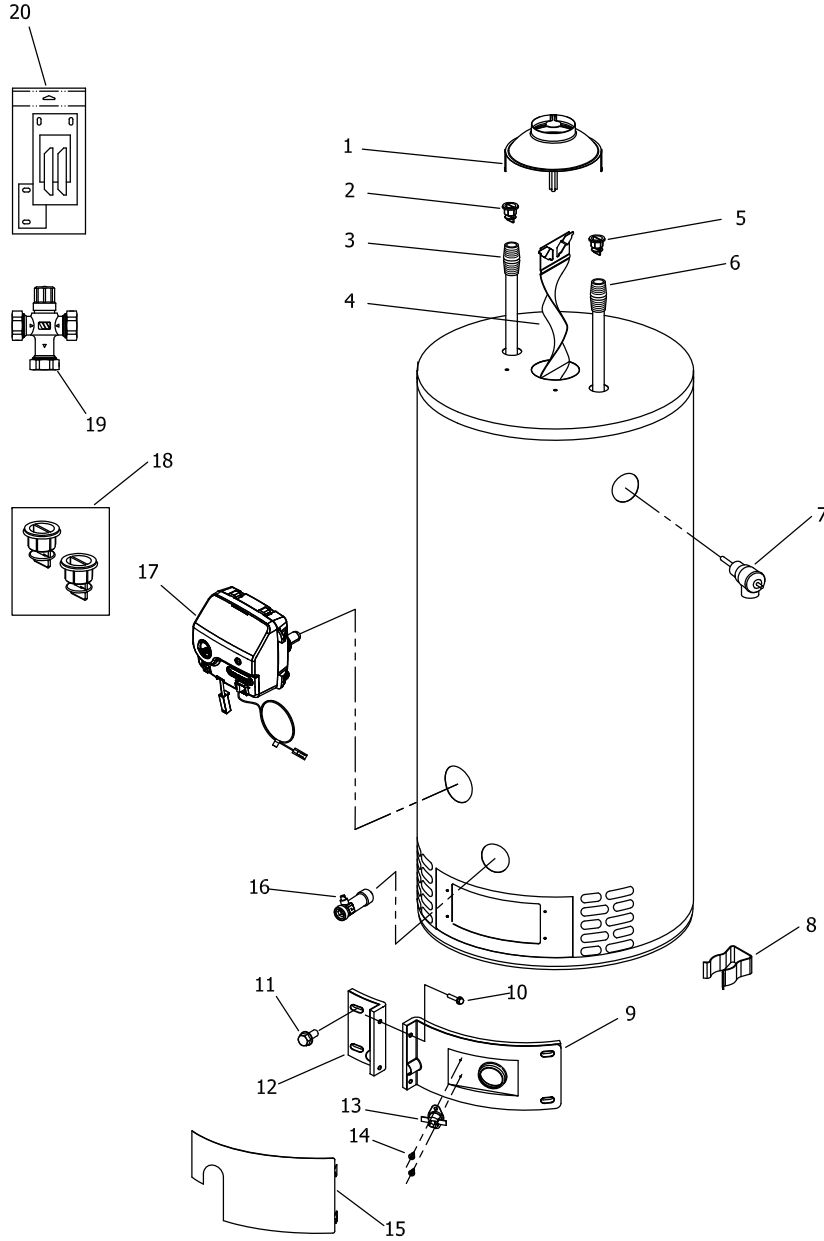
**Inner door gasket kit recommended

▲▲ Order with item 5

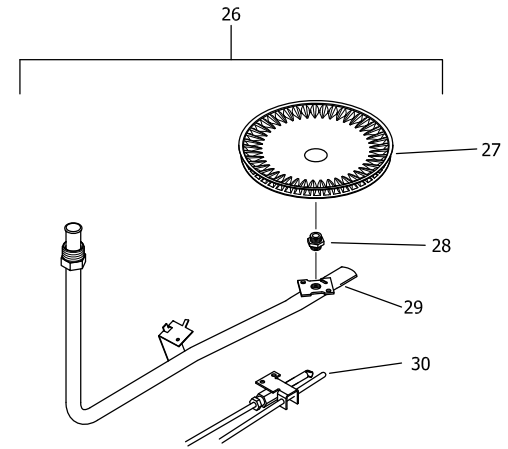
***Ordering a complete burner assembly may increase delivery time.

Anode may need to be cut to length

Please order the specific component required for the quickest delivery.



NATURAL GAS BURNER ASSEMBLY



LP GAS BURNER ASSEMBLY

Item	Description	Model	Model	Model
		RG250L*(N,X)	RG250S*(N,X)	RG250T*(N,X)
1	Draft Diverter	243-45787-00	239-33081-02-20-15	243-45787-00
2	Heat Trap Insert (Outlet)	239-45167-00	239-45167-00	239-45167-00
3	Hot Water Outlet Anode (Magnesium) ▲#	224-47776-19	224-47776-19	224-47776-19
	Hot Water Outlet (Aluminum) ▲#	224-32999-42	224-32999-42	224-32999-42
	Hot Water Outlet (A420 Aluminum) ▲#	224-49560-08	224-49560-08	224-49560-08
4	Flue Baffle	243-45223-00	243-45225-00	243-44705-00
5	Heat Trap Insert (Inlet)	239-51556-00	239-51556-00	239-51556-00
6	Cold Water Inlet Dip Tube (PEX) ▲▲	229-51230-16	229-51230-14	229-51230-18
7	T&P Relief Valve	230-40594-02	230-40594-02	230-40594-02
8	Feedline Clip	239-47475-00	239-47475-00	239-47475-00
9	Right Side Inner Door Complete	239-43963-09	239-43963-06	239-43963-07
10	Screw-#8-18 x 3/4 HWH	239-44195-00	239-44195-00	239-44195-00
11	Screw-#10-12 x 3/4 HWH	239-44113-00	239-44113-00	239-44113-00
12	Left Side Inner Door Complete	239-43968-20	239-43968-18	239-43968-18
13	Resettable Thermal Switch	239-43676-01	239-43676-01	239-43676-02
14	Screw-#6-20 x 3/8 PHCR	239-43967-00	239-43967-00	239-43967-00
15	Outer Door	243-43962-00	243-43962-00	243-43962-00
16	Brass Drain Valve	265-42351-02	265-42351-02	265-42351-02
17	Gas Control Direct Replacement (Nat. Gas)	239-47463-02	239-47463-02	239-47463-02
	Gas Control Direct Replacement (LP Gas)	239-47465-02	239-47465-02	239-47465-02
	Gas Control Universal Replacement (Nat. Gas)	239-47851-00	239-47851-00	239-47851-00
	Gas Control Universal Replacement (LP Gas)	239-47856-00	239-47856-00	239-47856-00
18	Kit-Heat Trap Insert	239-51572-00	239-51572-00	239-51572-00
19	ASSE Approved Mixing Valve (Optional)	239-43740-01	239-43740-01	239-43740-01
20	Inner Door Gasket Kit	239-44078-00	239-44078-00	239-44078-00
	Natural Gas Burner Assembly			
21	Nat Gas Burner Assembly Complete*** **	265-48037-05-32	265-48037-04-30	265-48037-04-32
22	Nat. Gas Burner**	228-42506-00	228-42506-00	228-42506-00
23	Nat. Gas Main Burner Orifice** (0 Ft. to 2,000 Ft.)	234-41034-32	234-41034-30	234-41034-32
	Nat. Gas High Altitude Orifice 0 Ft. to 7,000 Ft. (-475 model suffixes) **	234-41034-36	234-41034-32	234-41034-36
	Nat. Gas High Altitude Kit 7,001 Ft. to 10,000 Ft.	265-51311-02-40	265-51311-02-35	265-51311-02-40
24	Feedline	233-48094-05	233-48094-04	233-48094-04
25	Nat. Gas Pilot Assembly**	233-47845-05	233-47845-05	233-47845-05
	LP Gas Burner Assembly			
26	LP Gas Burner Assembly Complete*** **	265-48038-05-50	265-48039-03-47	265-48038-04-51
27	LP Gas Burner**	228-46964-00	228-47000-00	228-46964-00
28	LP Gas Main Burner Orifice**	234-47064-50	234-47064-47	234-47064-51
	LP Gas High Altitude Orifice 0 Ft. to 7,000 Ft. (-475 model suffixes) **	234-47064-52	234-47064-50	234-47064-53
	LP Gas High Altitude Orifice 7,001 Ft. to 10,000 Ft.**	265-51367-02-53	265-51367-02-51	265-51367-02-54
29	Feedline	233-47108-05	243-48039-03	233-47108-04
30	LP Gas Pilot Assembly**	233-47846-05	233-47846-05	233-47846-05
	LP to Nat. Gas Conversion Kit	265-45712-78	265-45712-80	265-45712-75
	LP to Nat. Gas High Altitude Conversion Kit (-475 model suffixes)	265-45712-79	265-45712-81	265-45712-76

*Applies to all warranties

**Inner door gasket kit recommended

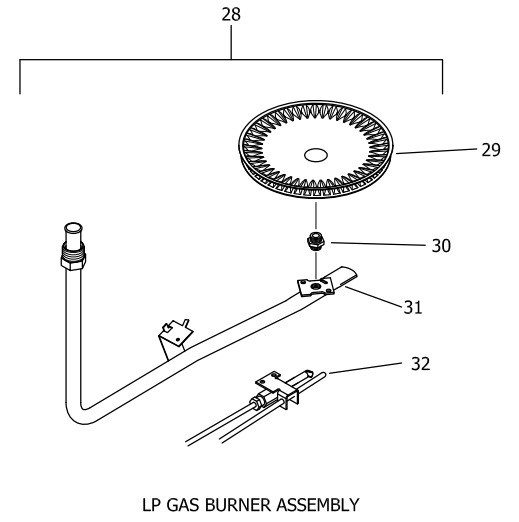
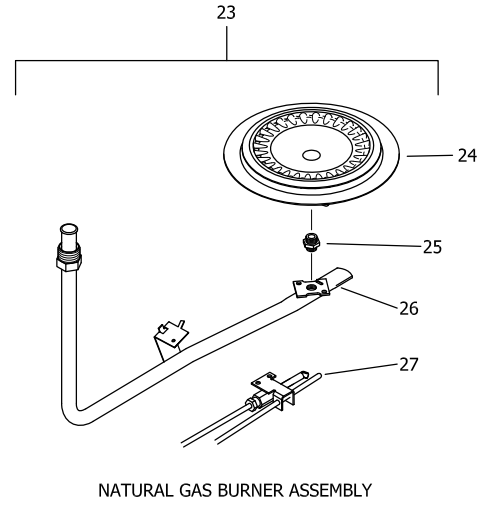
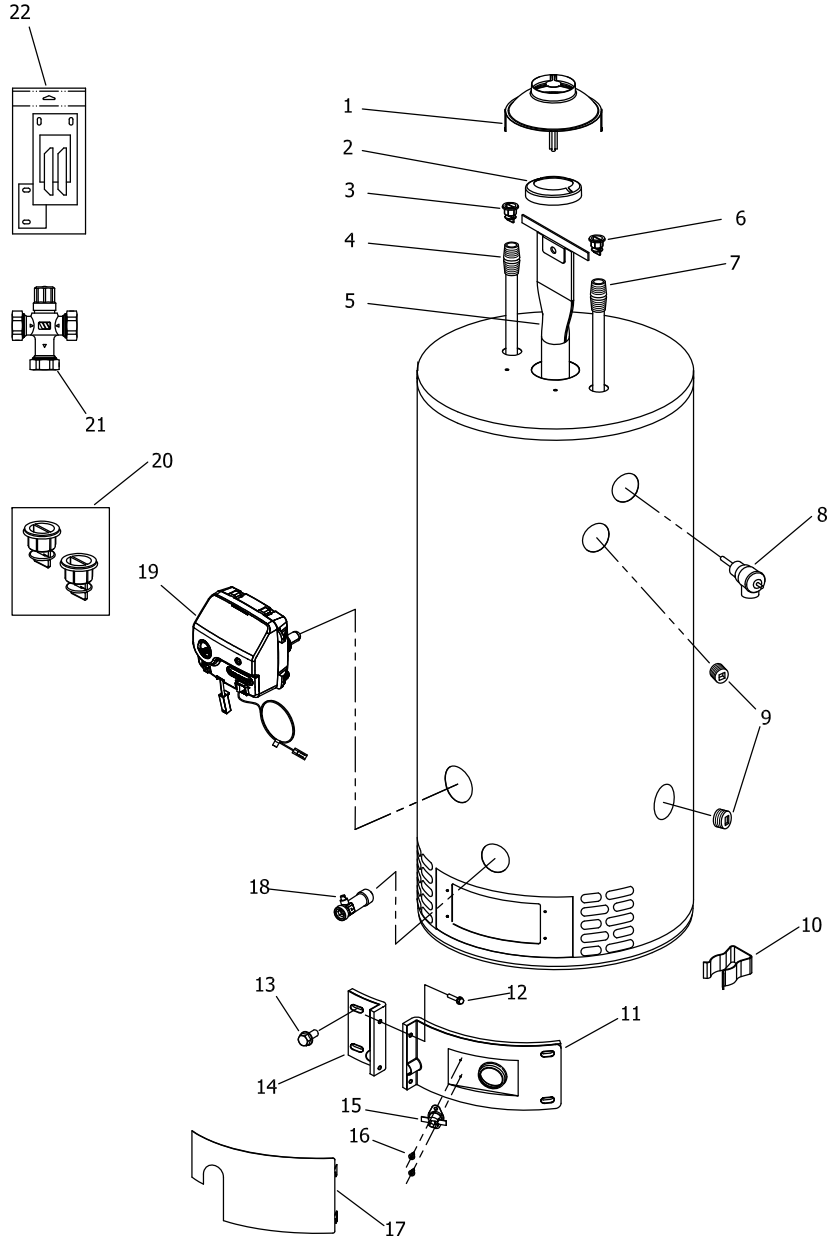
***Ordering a complete burner assembly may increase delivery time.

Please order the specific component required for the quickest delivery.

▲ Order with item 2

▲▲ Order with item 5

#Anode may need to be cut to length



Item	Description	Model	Model
		RG250H*(N,X)	LG250H65*(N,X)
1	Draft Diverter	239-33081-02-20-15	239-33081-02-20-15
2	Flue Reducer	243-42572-00	243-42572-00
3	Heat Trap Insert (Outlet)	239-45167-00	239-45167-00
4	Hot Water Outlet Anode (Magnesium)▲#	224-47776-19	224-47776-19
	Hot Water Outlet (Aluminum)▲#	224-32999-42	224-32999-42
	Hot Water Outlet (A420 Aluminum)▲#	224-49560-08	224-49560-08
5	Flue Core	239-50666-00	239-50666-00
6	Heat Trap Insert (Inlet)	239-51556-00	239-51556-00
7	Cold Water Inlet Dip Tube (PEX)▲▲	229-51230-20	229-51230-29
8	T&P Relief Valve	230-40594-02	230-40594-02
9	3/4 NPT Plug	239-11638-00	239-11638-00
10	Feedline Clip	239-47475-00	239-47475-00
11	Right Side Inner Door Complete	239-43963-07	239-43963-07
12	Screw-#8-18 x 3/4 HWH	239-44195-00	239-44195-00
13	Screw-#10-12 x 3/4 HWH	239-44113-00	239-44113-00
14	Left Side Inner Door Complete	239-43968-18	239-43968-18
15	Resettable Thermal Switch	239-43676-02	239-43676-02
16	Screw-#6-20 x 3/8 PHCR	239-43967-00	239-43967-00
17	Outer Door	243-43962-00	243-43962-00
18	Brass Drain Valve	265-42351-02	265-42351-02
19	Gas Control Direct Replacement (Nat. Gas)	239-47463-02	239-47464-02
	Gas Control Direct Replacement (LP Gas)	239-47465-02	239-47466-02
	Gas Control Universal Replacement (Nat. Gas)	239-47851-00	239-47857-00
	Gas Control Universal Replacement (LP Gas)	239-47856-00	239-47858-00
20	Kit-Heat Trap Insert	239-51572-00	239-51572-00
21	ASSE Approved Mixing Valve (Optional)	239-43740-01	239-43740-01
22	Inner Door Gasket Kit	239-44078-00	239-44078-00
	Natural Gas Burner Assembly		
23	Nat Gas Burner Assembly Complete*** **	265-48037-04-27	265-48037-04-27
24	Nat. Gas Burner**	228-42506-00	228-42506-00
25	Nat. Gas Main Burner Orifice** (0 Ft. to 2,000 Ft.)	234-41034-27	234-41034-27
	Nat. Gas High Altitude Orifice 0 Ft. to 7000 Ft. (-475 model suffixes) **	234-41034-30	234-41034-30
	Nat. Gas High Altitude Kit 7,001 Ft. to 10,000 Ft.	265-51311-02-31	265-51311-02-31
26	Feedline	233-48094-04	233-48094-04
27	Nat. Gas Pilot Assembly**	233-47845-05	233-47845-05
	LP Gas Burner Assembly		
28	LP Gas Burner Assembly Complete*** **	265-48039-03-43	265-48039-03-43
29	LP Gas Burner**	228-47000-00	228-47000-00
30	LP Gas Main Burner Orifice**	234-47064-43	234-47064-43
	LP Gas High Altitude Orifice 0 Ft. to 7,000 Ft. (-475 model suffixes) **	234-47064-46	234-47064-46
	LP Gas High Altitude Orifice 7,001 Ft. to 10,000 Ft.**	265-51367-02-48	265-51367-02-48
31	Feedline	233-47108-04	233-47108-04
32	LP Gas Pilot Assembly**	233-47846-05	233-47846-04
	LP to Nat. Gas Conversion Kit	265-45712-82	265-45712-82
	LP to Nat. Gas High Altitude Conversion Kit (-475 model suffixes)	265-45712-83	265-45712-83

*Applies to all warranties

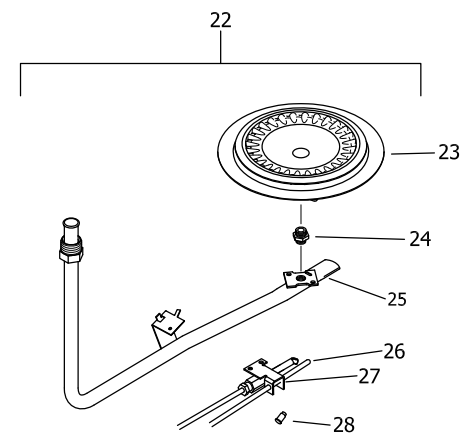
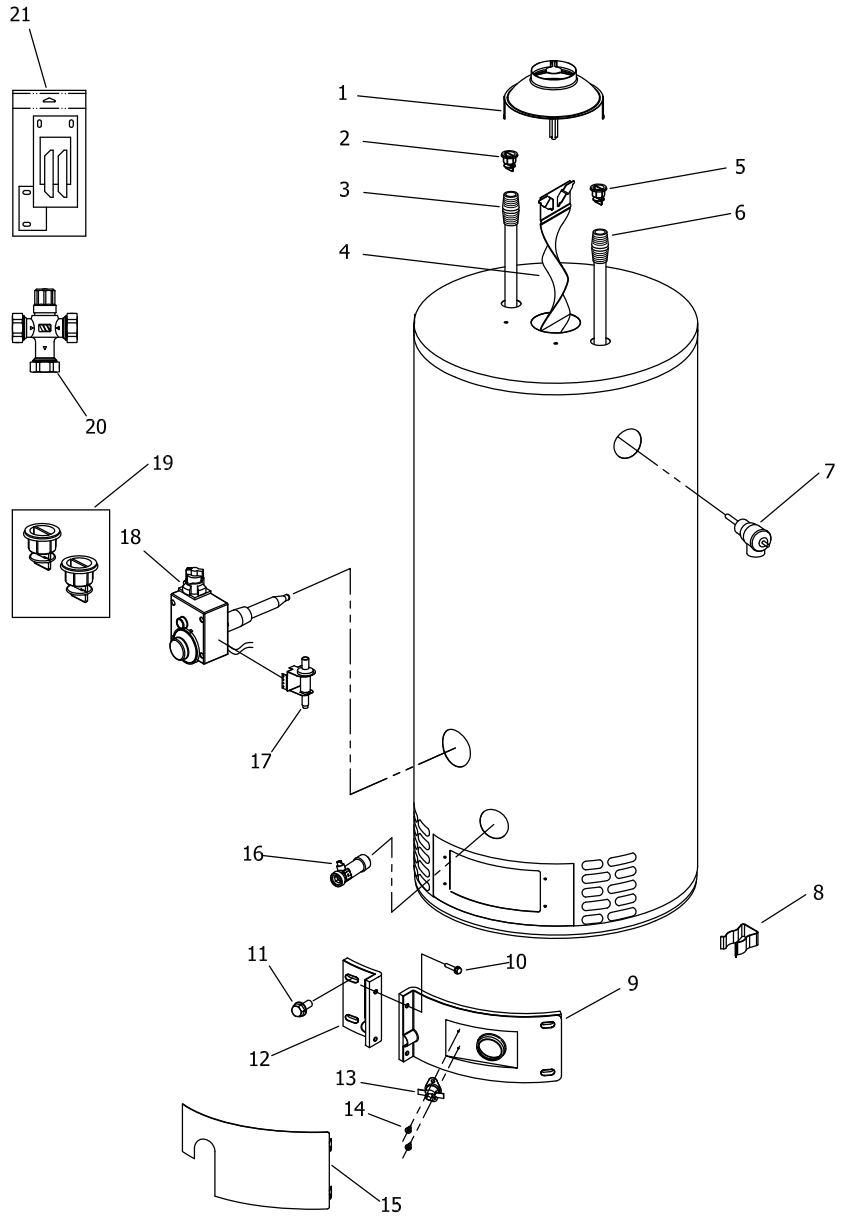
**Inner door gasket kit recommended

***Ordering a complete burner assembly may increase delivery time.
Please order the specific component required for the quickest delivery.

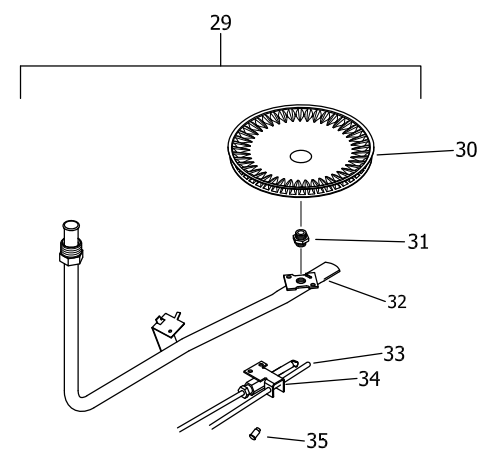
▲ Order with item 3

▲▲ Order with item 6

#Anode may need to be cut to length



NATURAL GAS (BN) BURNER ASSEMBLY



LP GAS (SX) BURNER ASSEMBLY

Item	Description	Model	Model	Model	Model
		RG230S*(N,X)-500	RG230T*(N,X)-500	RG240S*(N,X)-500	RG240T*(N,X)-500
1	Draft Diverter	243-45787-00	243-45787-00	243-45787-00	243-45787-00
2	Heat Trap Insert (Outlet)	239-45167-00	239-45167-00	239-45167-00	239-45167-00
3	Hot Water Outlet Anode (Magnesium)▲#	224-47776-19	224-47776-19	224-47776-19	224-47776-19
	Hot Water Outlet (Aluminum)▲#	224-32999-42	224-32999-42	224-32999-42	224-32999-42
	Hot Water Outlet (A420 Aluminum)▲#	224-49560-08	224-49560-08	224-49560-08	224-49560-08
4	Flue Baffle	243-45226-00	243-44639-00	243-50993-00	243-50065-03
5	Heat Trap Insert (Inlet)	239-51556-00	239-51556-00	239-51556-00	239-51556-00
6	Cold Water Inlet Dip Tube (PEX)▲▲	229-51230-20	229-51230-19	229-51230-24	229-51230-21
7	T&P Relief Valve	230-40594-02	230-40594-02	230-40594-02	230-40594-02
8	Feedline Clip	239-47475-00	239-47475-00	239-47475-00	239-47475-00
9	Right Side Inner Door Complete (Nat. Gas)	239-43963-03	239-43963-02	239-43963-07	239-43963-05
	Right Side Inner Door Complete (LP Gas)	239-43963-03	239-43963-02	239-43963-07	239-43963-04
10	Screw-#8-18 x 3/4 HWH	239-44195-00	239-44195-00	239-44195-00	239-44195-00
11	Screw-#10-12 x 3/4 HWH	239-44113-00	239-44113-00	239-44113-00	239-44113-00
12	Left Side Inner Door Complete	239-43968-16	239-43968-14	239-43968-18	239-43968-16
13	Resettable Thermal Switch (Nat. Gas)	239-43676-01	239-43676-03	239-43676-02	239-43676-03
	Resettable Thermal Switch (LP Gas)	239-43676-01	239-43676-03	239-43676-02	239-43676-03
14	Screw-#6-20 x 3/8 PHCR	239-43967-00	239-43967-00	239-43967-00	239-43967-00
15	Outer Door	243-43962-00	243-43962-00	243-43962-00	243-43962-00
16	Brass Drain Valve	265-42351-02	265-42351-02	265-42351-02	265-42351-02
17	Piezo Igniter Kit	243-43450-00	243-43450-00	243-43450-00	243-43450-00
18	T-Stat Direct Replacement (Natural Gas)	265-46181-02	265-46181-02	265-46181-02	265-46181-02
	T-Stat Direct Replacement (LP Gas)	265-46182-02	265-46182-02	265-46182-02	265-46182-02
19	Kit-Heat Trap Insert	239-51572-00	239-51572-00	239-51572-00	239-51572-00
20	ASSE Approved Mixing Valve (Optional)	239-43740-01	239-43740-01	239-43740-01	239-43740-01
21	Inner Door Gasket Kit	239-44078-00	239-44078-00	239-44078-00	239-44078-00
Natural Gas Burner Assembly					
22	Nat Gas Burner Assembly Complete*** **	265-43971-03-38	265-43971-02-36	265-43971-04-32	265-43971-03-32
23	Nat. Gas Burner**	228-42506-00	228-42506-00	228-42506-00	228-42506-00
24	Nat. Gas Main Burner Orifice**	234-41034-38	234-41034-36	234-41034-32	234-41034-32
25	Feedline	233-48094-03	233-48094-02	243-43971-04	233-48094-03
26	Pilot Assembly Thermocouple	233-46501-24	233-46501-24	233-46501-24	233-46501-24
27	Nat. Gas Pilot Assembly**	233-46277-06	233-46277-06	233-46277-06	233-46277-06
28	Nat. Pilot Assembly Orifice	234-46502-05	234-46502-05	234-46502-05	234-46502-05
LP Gas Burner Assembly					
29	LP Gas Burner Assembly Complete*** **	265-47115-03-54	265-47115-02-60	265-48038-04-50	265-47115-03-52
30	LP Gas Burner**	228-46964-00	228-46964-00	228-46964-00	228-46964-00
31	LP Gas Main Burner Orifice**	234-47064-55	234-47064-60	234-47064-50	234-47064-52
32	Feedline	233-47108-03	233-47108-02	233-47108-04	233-47108-03
33	Pilot Assembly Thermocouple	233-46501-24	233-46501-24	233-46501-24	233-46501-24
34	LP Gas Pilot Assembly**	233-46278-04	233-46278-04	233-47846-07	233-46278-04
35	LP Pilot Assembly Orifice	234-46502-02	234-46502-02	234-46502-02	234-46502-02

*Applies to all warranties

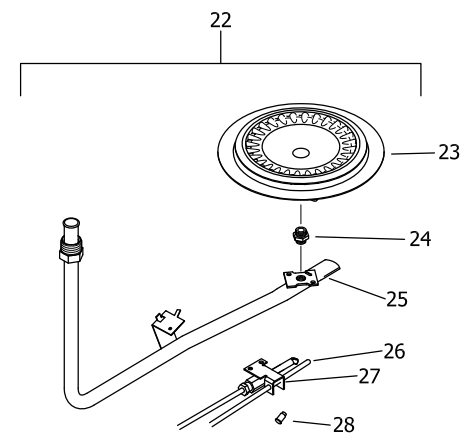
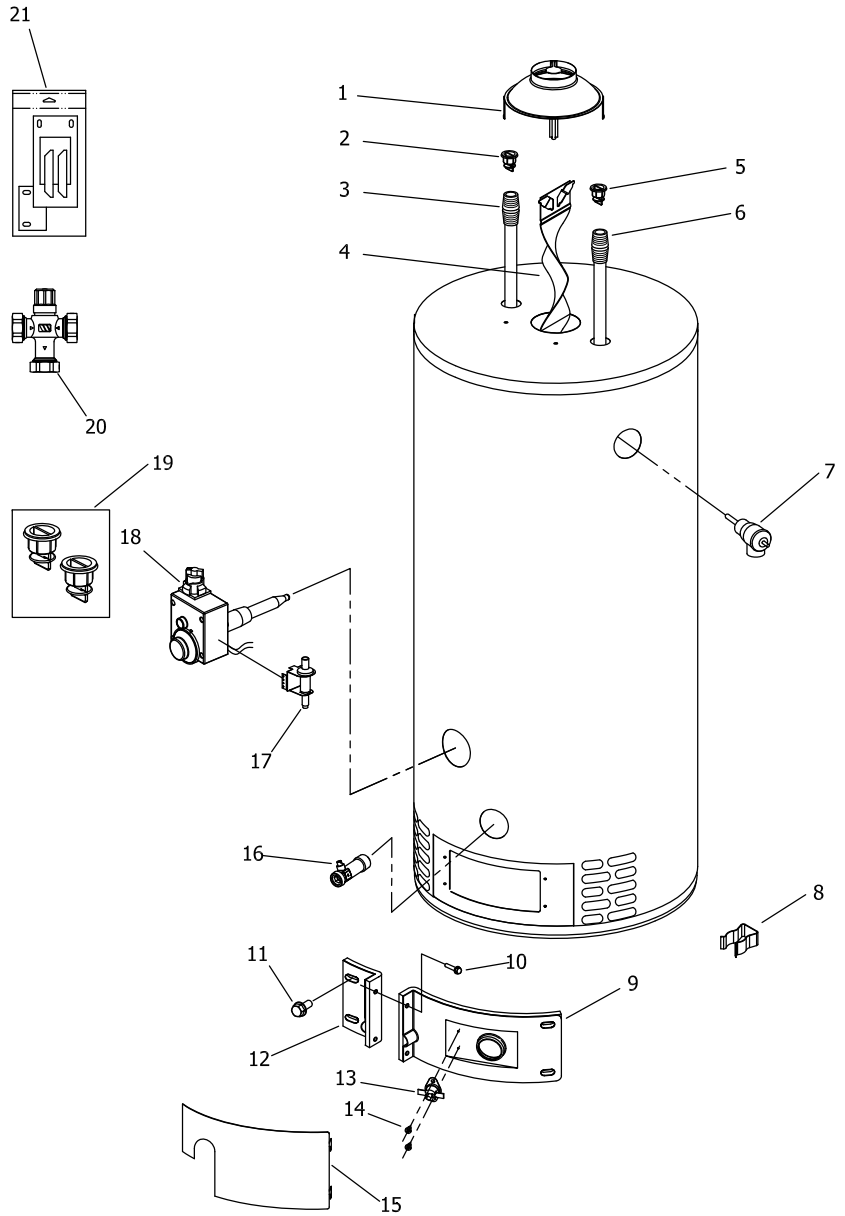
**Inner door gasket kit recommended

***Ordering a complete burner assembly may increase delivery time.
Please order the specific component required for the quickest delivery.

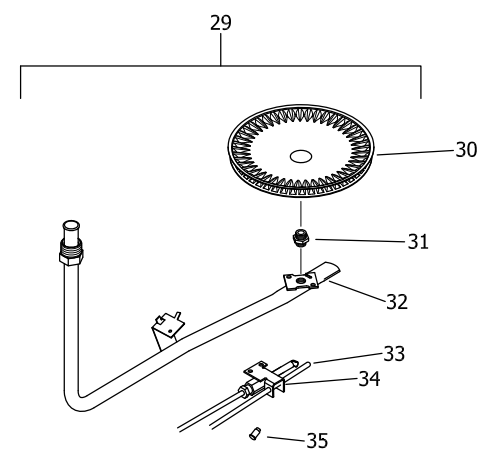
▲ Order with item 2

▲▲ Order with item 5

#Anode may need to be cut to length



NATURAL GAS (BN) BURNER ASSEMBLY



LP GAS (SX) BURNER ASSEMBLY

Item	Description	Model	Model	Model
		RG250L*(N,X)-500	RG250S*(N,X)-500	RG250T*(N,X)-500
1	Draft Diverter	243-45787-00	239-33081-02-20-15	243-45787-00
2	Heat Trap Insert (Outlet)	239-45167-00	239-45167-00	239-45167-00
3	Hot Water Outlet Anode (Magnesium)▲#	224-47776-19	224-47776-19	224-47776-19
	Hot Water Outlet (Aluminum)▲#	224-32999-42	224-32999-42	224-32999-42
	Hot Water Outlet (A420 Aluminum)▲#	224-49560-08	224-49560-08	224-49560-08
4	Flue Baffle	243-45223-00	243-45225-00	243-44705-00
5	Heat Trap Insert (Inlet)	239-51556-00	239-51556-00	239-51556-00
6	Cold Water Inlet Dip Tube (PEX)▲▲	229-51230-20	229-51230-14	229-51230-18
7	T&P Relief Valve	230-40594-02	230-40594-02	230-40594-02
8	Feedline Clip	239-47475-00	239-47475-00	239-47475-00
9	Right Side Inner Door Complete	239-43963-09	239-43963-06	239-43963-07
10	Screw-#8-18 x 3/4 HWH	239-44195-00	239-44195-00	239-44195-00
11	Screw-#10-12 x 3/4 HWH	239-44113-00	239-44113-00	239-44113-00
12	Left Side Inner Door Complete	239-43968-20	239-43968-18	239-43968-18
13	Resettable Thermal Switch	239-43676-01	239-43676-01	239-43676-02
14	Screw-#6-20 x 3/8 PHCR	239-43967-00	239-43967-00	239-43967-00
15	Outer Door	243-43962-00	243-43962-00	243-43962-00
16	Brass Drain Valve	265-42351-02	265-42351-02	265-42351-02
17	Piezo Igniter Kit	243-43450-00	243-43450-00	243-43450-00
18	T-Stat Direct Replacement (Natural Gas)	265-46181-02	265-46181-02	265-46181-02
	T-Stat Direct Replacement (LP Gas)	265-46182-02	265-46182-02	265-46182-02
19	Kit-Heat Trap Insert	239-51572-00	239-51572-00	239-51572-00
20	ASSE Approved Mixing Valve (Optional)	239-43740-01	239-43740-01	239-43740-01
21	Inner Door Gasket Kit	239-44078-00	239-44078-00	239-44078-00
	Natural Gas Burner Assembly			
22	Nat Gas Burner Assembly Complete*** **	265-43971-06-32	265-43971-04-30	265-43971-04-32
23	Nat. Gas Burner**	228-42506-00	228-42506-00	228-42506-00
24	Nat. Gas Main Burner Orifice**	234-41034-32	234-41034-30	234-41034-32
25	Feedline	233-48094-05	233-48094-04	233-48094-04
26	Pilot Assembly Thermopile	233-46501-24	233-46501-24	233-46501-24
27	Nat. Gas Pilot Assembly**	233-46277-04	233-46277-04	233-46277-04
28	Pilot Assembly Orifice	234-46502-05	234-46502-05	234-46502-05
	LP Gas Burner Assembly			
29	LP Gas Burner Assembly Complete*** **	265-48038-05-50	265-47118-03-47	265-47115-04-51
30	LP Gas Burner**	228-46964-00	228-47000-00	228-46964-00
31	L.P. Gas Main Burner Orifice**	234-47064-50	234-47064-47	234-47064-51
32	Feedline	233-47108-05	233-47108-04	233-47108-04
33	Pilot Assembly Thermopile	233-46501-24	233-46501-24	233-46501-24
34	LP Gas Pilot Assembly**	233-46278-03	233-46278-03	233-46278-03
35	Pilot Assembly Orifice	234-46502-02	234-46502-02	234-46502-02

*Applies to all warranties

**Inner door gasket kit recommended

***Ordering a complete burner assembly may increase delivery time.
Please order the specific component required for the quickest delivery.

▲ Order with item 2

▲▲ Order with item 5

#Anode may need to be cut to length



BRADFORD WHITE®

W A T E R H E A T E R S

Ambler, PA

For U.S. and Canada field service,
contact your professional installer or
local Bradford White sales representative.

Sales/800-523-2931
Fax/215-641-1670
Parts Fax/215-641-2180

Technical Support/800-334-3393
Fax/269-795-1089

Warranty/800-531-2111
Fax/269-795-1089

International:
Telephone/215-641-9400
Telefax/215-641-9750



BRADFORD WHITE-CANADA® INC.

Mississauga, ON

Sales/866-690-0961
905-238-0100

Fax/905-238-0105

Technical Support/800-334-3393

Email

parts@bradfordwhite.com
techserv@bradfordwhite.com

www.bradfordwhite.com