



BRADFORD WHITE[®]
W A T E R H E A T E R S

RESIDENTIAL ELECTRIC REPLACEMENT PARTS LIST

**Residential Upright
Residential Lowboy
Residential High Efficiency Upright**



Includes Hydrojet[®]
Total Performance System

**Effective: May, 2019
ECO 8264**

**NOTE: BOTH MODEL AND SERIAL
NUMBERS ARE REQUIRED FOR
ORDERING REPLACEMENT PARTS**

Dimensions and specifications
subject to change without notice.

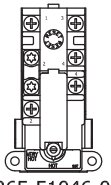
WARNING
CANCER AND REPRODUCTIVE HARM
WWW.P65WARNINGS.CA.GOV

As required by the state of California Proposition 65.

TOP LOCATION

- Double element water heater, non-simultaneous single phase and three phase operation.

59T66T



265-51046-00

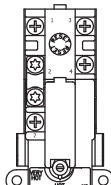
TOP LOCATION

- Double element water heater, simultaneous operation.

BOTTOM LOCATION

- Single element water heater.
- Double element water heater, non-simultaneous three phase operation.
- Double element water heater, simultaneous operation.

59T66T

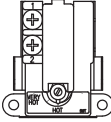


265-50691-00

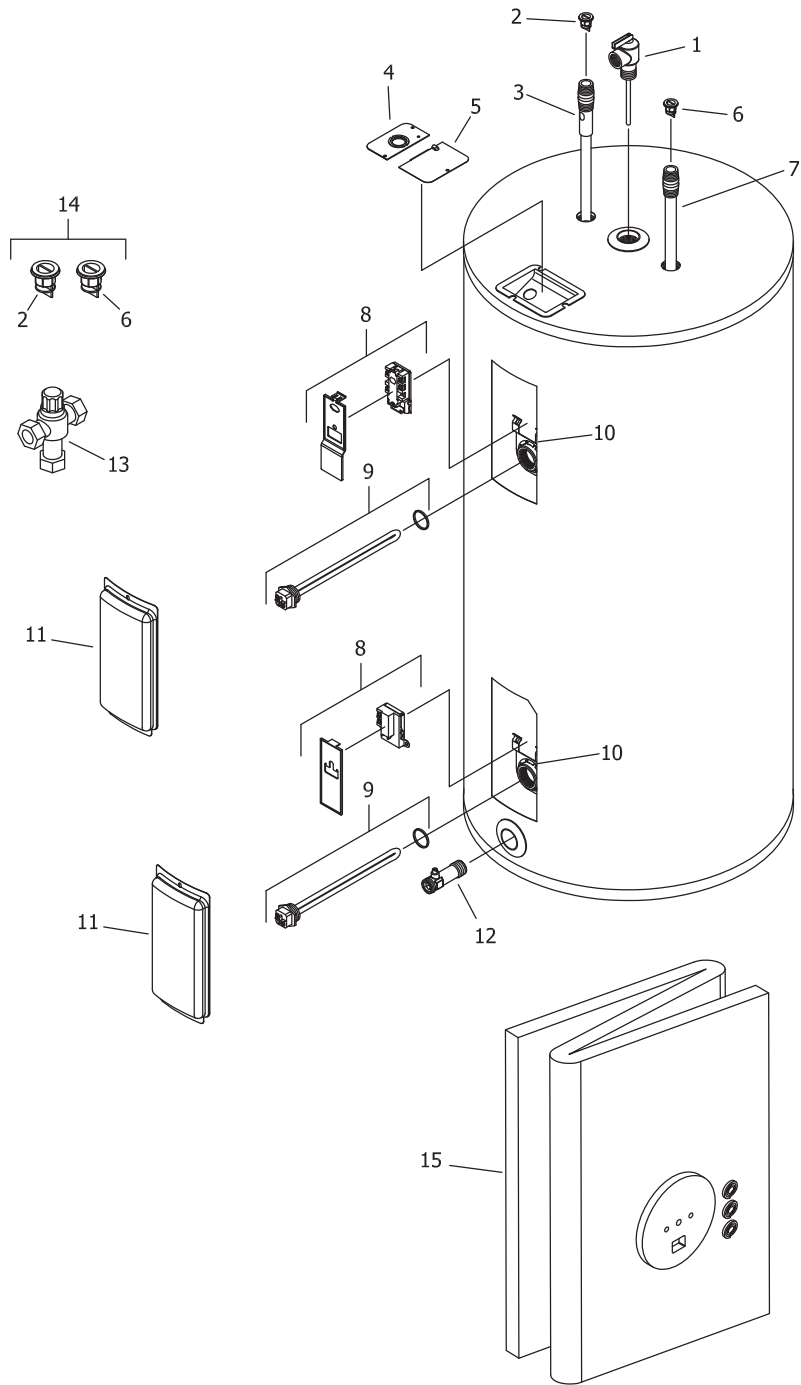
BOTTOM LOCATION

- Double element water heater, non-simultaneous single phase operation

59T



265-51046-00



Item	Description	Model RE240S	Model RE250S	Model RE330S	Model RE340S	Model RE350S
1	T&P Relief Valve	230-40594-02	230-40594-02	230-40594-02	230-40594-02	230-40594-02
2	Heat Trap Insert (Outlet)	239-45167-00	239-45167-00	239-45167-00	239-45167-00	239-45167-00
3	Hot Water Outlet Anode (Magnesium) ♦#	224-47776-19	224-47776-19	224-47776-19	224-47776-19	224-47776-19
	Hot Water Outlet Anode (Aluminum) ♦#	224-32999-28	224-32999-28	224-32999-28	224-32999-28	224-32999-28
	Hot Water Outlet Anode (A420 Aluminum) ♦#	224-49560-10	224-49560-10	224-49560-10	224-49560-10	224-49560-10
4	Cover Conduit/Ground	243-39451-00	243-39451-00	243-39451-00	243-39451-00	243-39451-00
5	Cover Junction box	243-39452-00	243-39452-00	243-39452-00	243-39452-00	243-39452-00
6	Heat Trap Insert (Inlet)	239-51556-00	239-51556-00	239-51556-00	239-51556-00	239-51556-00
7	Cold Water Inlet Tube PEX ♦♦	229-51230-21	229-51230-21	229-51230-21	229-51230-21	229-51230-21
8	Upper Thermostat with High Limit (59T66) & protector ▲■	265-51046-00	265-51046-00	265-51046-00	265-51046-00	265-51046-00
	Lower Thermostat (59T66) w/ protector ▲■	265-51046-00	265-51046-00	265-51046-00	265-51046-00	265-51046-00
	Lower Thermostat with High Limit (59T66) ▲	265-50691-00	265-50691-00	265-50691-00	265-50691-00	265-50691-00
9	Heating Element 240V 4500W w/ gasket* (qty 2)	265-48642-00	265-48642-00	265-48642-00	265-48642-00	265-48642-00
10	Thermostat Mounting Bracket	239-50689-00	239-50689-00	239-50689-00	239-50689-00	239-50689-00
11	Access Cover	243-36618-02	243-36618-02	243-36618-02	243-36618-02	243-36618-02
12	Drain Valve	265-51684-01	265-51684-01	265-51684-02	265-51684-02	265-51684-02
13	ASSE Approved Mixing Valve	239-51778-00	239-51778-00	239-51778-00	239-51778-00	239-51778-00
14	Kit-Heat Trap Insert	265-51572-00	265-51572-00	265-51572-00	265-51572-00	265-51572-00
15	Blanket Kit	239-50210-01	239-50210-02	---	---	---

♦ Order with item 2.

♦♦ Order with item 6.

▲ Thermostat protector provided with thermostat. The thermostat mounting bracket is also provided with t'stat.

* For other voltage and wattage combinations, refer to heating elements on page 10 & 11.

■ Upper and lower thermostats are packaged together.

Anodes may need to be cut to length

TOP LOCATION
 ● Double element water heater,
 non-simultaneous single phase
 and three phase operation.

59T66T

265-51046-00

TOP LOCATION
 ● Double element water heater,
 simultaneous operation.

BOTTOM LOCATION
 ● Single element water heater.
 ● Double element water heater,
 non-simultaneous three phase
 operation.
 ● Double element water heater,
 simultaneous operation.

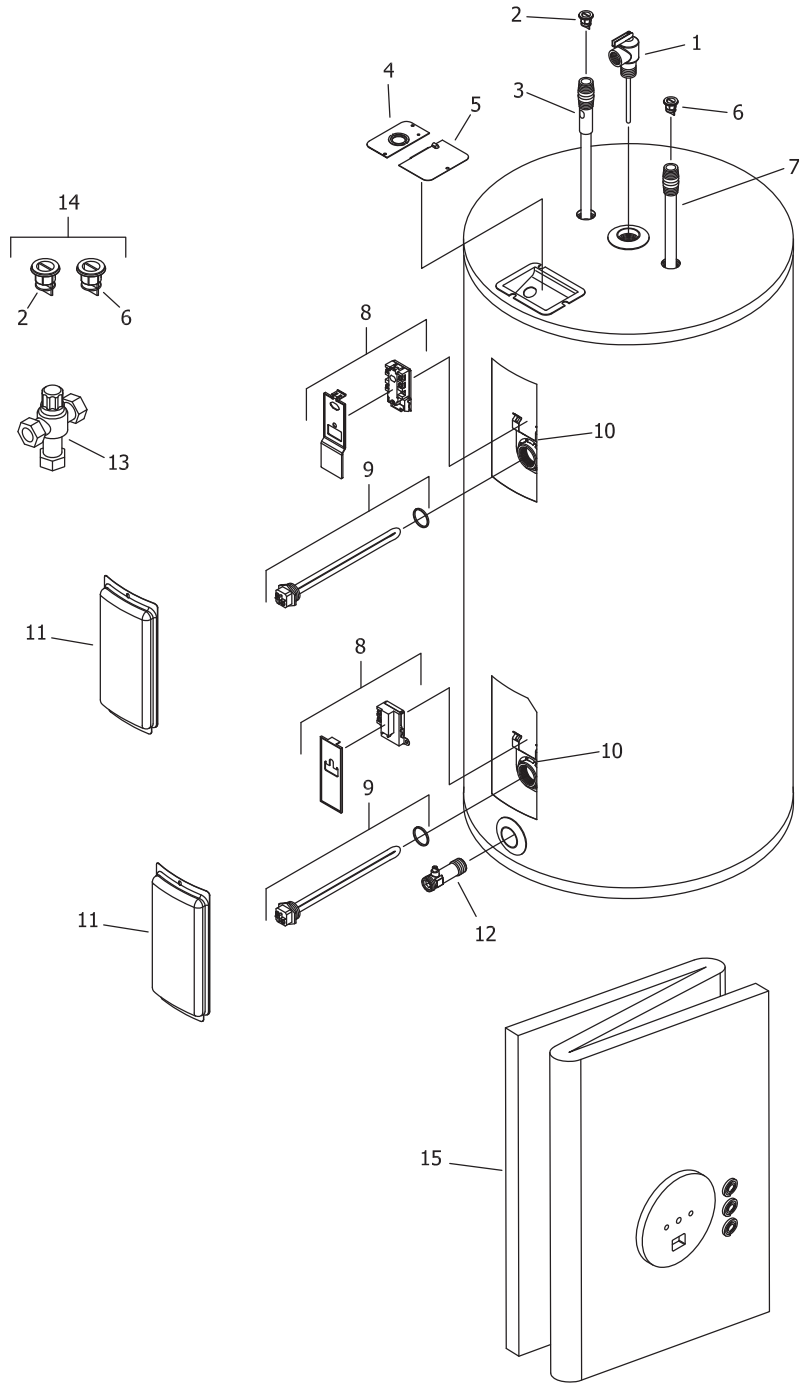
59T66T

265-50691-00

BOTTOM LOCATION
 ● Double element water heater,
 non-simultaneous single phase
 operation

59T

265-51046-00



Item	Description	Model	Model	MODEL
		RE340T	RE350T	RE250T
1	T&P Relief Valve	230-40594-02	230-40594-02	230-40594-03
2	Heat Trap Insert (Outlet)	239-45167-00	239-45167-00	239-45167-00
3	Hot Water Outlet Anode (Magnesium) ♦#	224-47776-19	224-47776-25	224-47782-08
	Hot Water Outlet Anode (Aluminum) ♦#	224-32999-28	224-32999-43	224-38508-07
	Hot Water Outlet Anode (A420 Aluminum) ♦#	224-49560-10	224-49560-11	224-49559-04
4	Cover Conduit/Ground	243-39451-00	243-39451-00	243-39451-00
5	Cover Junction box	243-39452-00	243-39452-00	243-39452-00
6	Heat Trap Insert (Inlet)	239-51556-00	239-51556-00	239-51556-00
7	Cold Water Inlet Tube PEX ♦♦	229-51230-28	229-51718-01	229-51718-05
8	Upper Thermostat with High Limit (59T66) & protector ▲■	265-51046-00	265-51046-00	265-51046-00
	Lower Thermostat (59T) w/ protector ▲■	265-51046-00	265-51046-00	265-51046-00
	Lower Thermostat with High Limit (59T66) ▲	265-50691-00	265-50691-00	265-50691-00
9	Heating Element 240V 4500W w/ gasket * (qty 2)	265-48642-00	265-48642-00	265-5133-08
10	Thermostat Mounting Bracket	239-50689-00	239-50689-00	239-50689-00
11	Access Cover	243-36618-02	243-36618-02	243-36618-02
12	Brass Drain Valve	265-51684-02	265-51684-02	265-51684-01
13	ASSE Approved Mixing Valve	239-51778-00	239-51778-00	239-51778-00
14	Kit-Heat Trap Insert	265-51572-00	265-51572-00	265-51572-00
15	Blanket Kit	---	---	---

♦ Order with item 2.

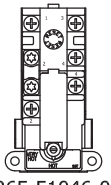
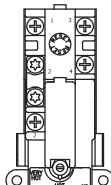
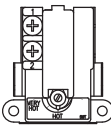
♦♦ Order with item 6.

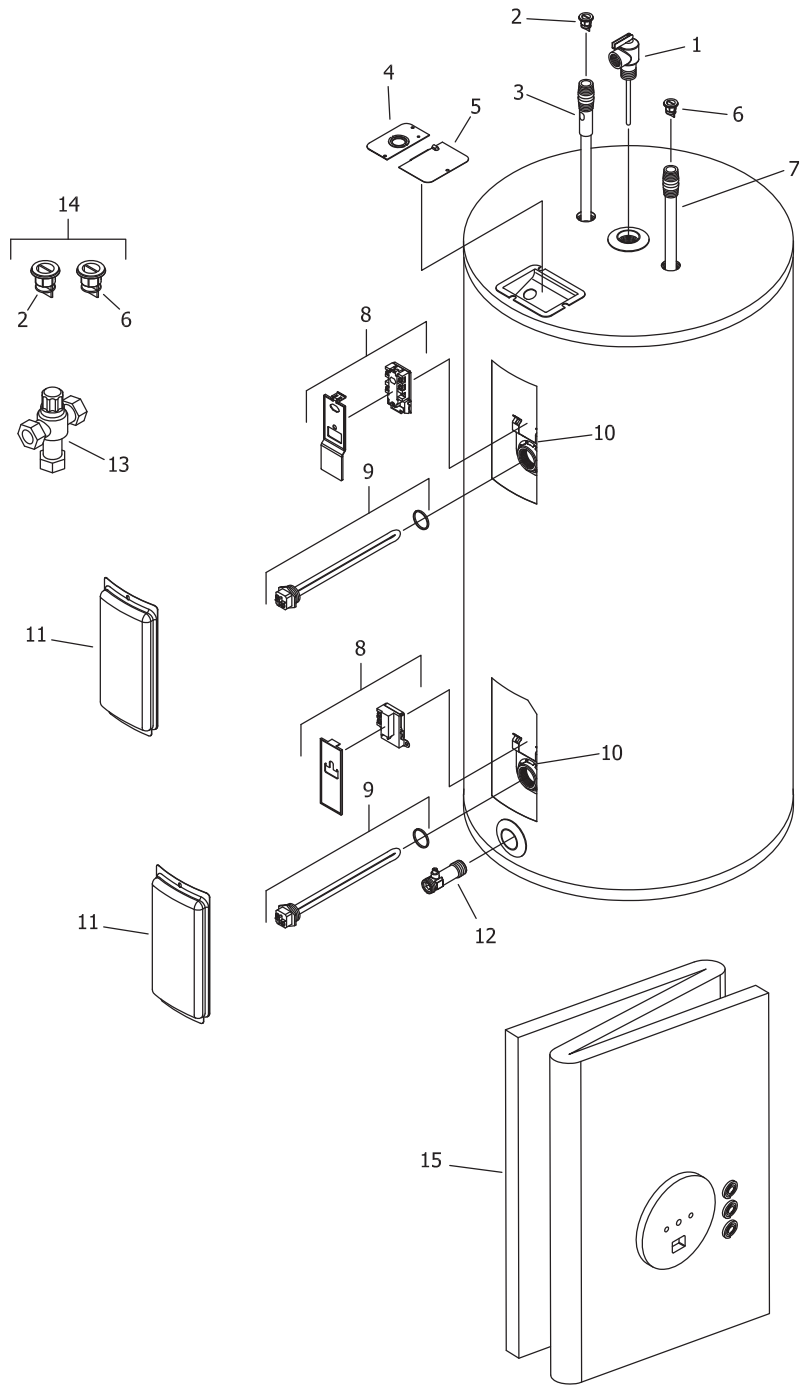
▲ Thermostat protector provided with thermostat. The thermostat mounting bracket is also provided with t'stat.

* For other voltage and wattage combinations, refer to heating elements on page 10 & 11.

■ Upper and lower thermostats are packaged together.

Anodes may need to be cut to length

<p>TOP LOCATION</p> <ul style="list-style-type: none"> ● Double element water heater, non-simultaneous single phase and three phase operation. <p>59T66T</p>  <p>265-51046-00</p>
<p>TOP LOCATION</p> <ul style="list-style-type: none"> ● Double element water heater, simultaneous operation. <p>BOTTOM LOCATION</p> <ul style="list-style-type: none"> ● Single element water heater. ● Double element water heater, non-simultaneous three phase operation. ● Double element water heater, simultaneous operation. <p>59T66T</p>  <p>265-50691-00</p>
<p>BOTTOM LOCATION</p> <ul style="list-style-type: none"> ● Double element water heater, non-simultaneous single phase operation <p>59T</p>  <p>265-51046-00</p>



Item	Description	Model RE120L	Model RE230L	Model RE240L
1	T&P Relief Valve	230-40594-02	230-40594-02	230-40594-02
2	Heat Trap Insert (Outlet)	---	239-45167-00	239-45167-00
3	Hot Water Outlet Anode (Magnesium) ♦#	224-47776-19	224-47776-19	224-47776-19
	Hot Water Outlet Anode (Aluminum) ♦#	224-32999-28	224-32999-28	224-32999-28
	Hot Water Outlet Anode (A420 Aluminum) ♦#	224-49560-10	224-49560-10	224-49560-10
4	Cover Conduit/Ground	243-39451-00	243-39451-00	243-39451-00
5	Cover Junction box	243-39452-00	243-39452-00	243-39452-00
6	Heat Trap Insert (Inlet)	---	239-51556-00	239-51556-00
7	Cold Water Inlet Tube Pex ♦♦	229-51230-01	229-51718-04	229-51230-27
8	Upper Thermostat with High Limit (59T66) w/ protector ▲■	265-51046-00	265-51046-00	265-51046-00
	Lower Thermostat (59T) w/ protector ▲■	265-51046-00	265-51046-00	265-51046-00
	Lower Thermostat with High Limit (59T66) ▲	265-50691-00	265-50691-00	265-50691-00
9	Heating Element 240V 4500W w/ gasket* (qty 2)	265-48642-00	265-48642-00	265-48642-00
10	Thermostat Mounting Bracket	239-50689-00	239-50689-00	239-50689-00
11	Access Cover	243-36618-02	243-36618-02	243-36618-02
12	Drain Valve	265-42351-02	265-51684-01	265-51684-01
13	ASSE Approved Mixing Valve	239-51778-00	239-51778-00	239-51778-00
14	Kit-Heat Trap Insert	---	265-51572-00	265-51572-00
15	Blanket Kit	---	239-50210-03	239-50210-04

♦ Order with item 2.

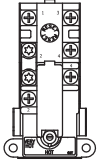
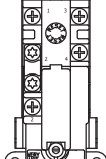
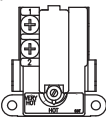
♦♦ Order with item 6.

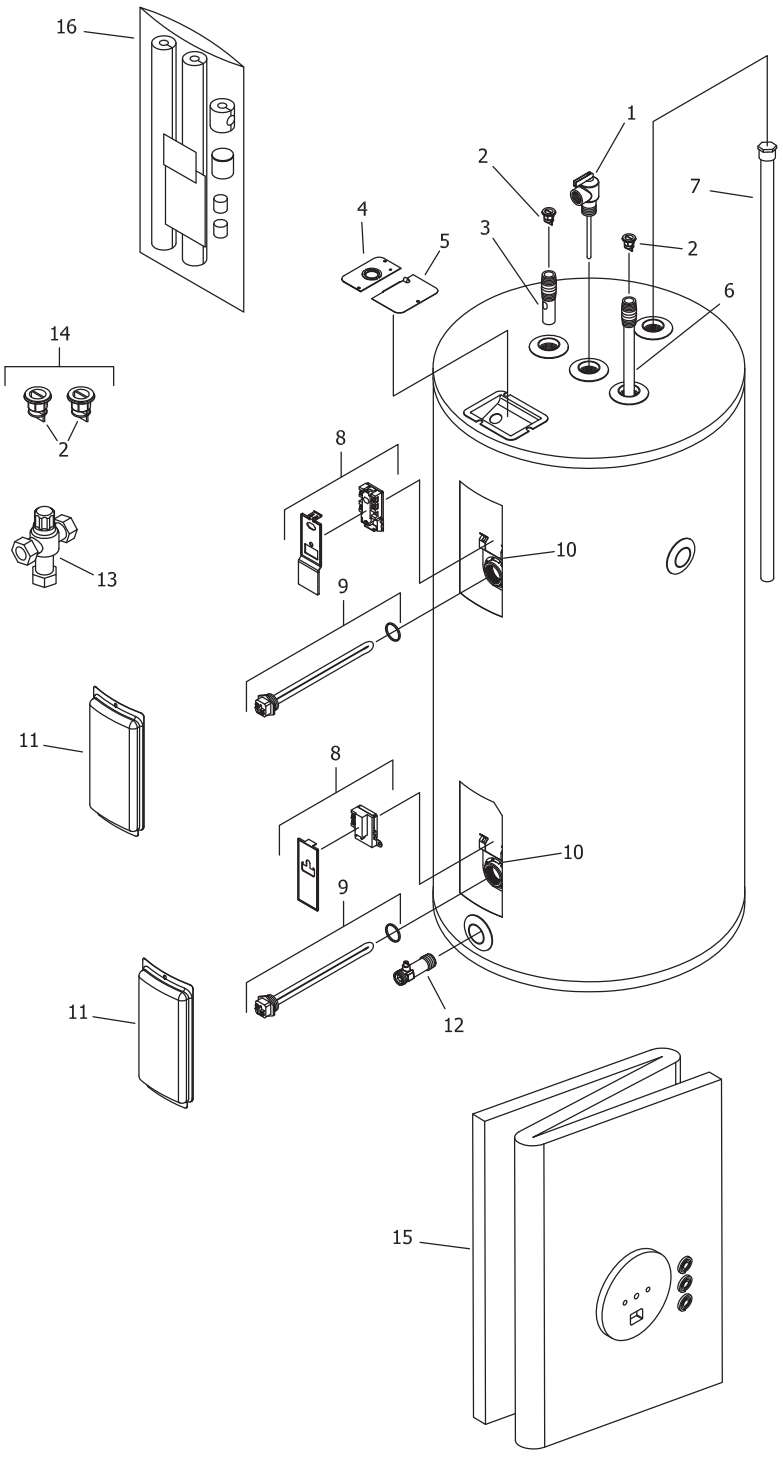
▲ Thermostat protector provided with thermostat. The thermostat mounting bracket is also provided with thermostat.

* For other voltage and wattage combinations, refer to heating elements on page 10 & 11.

■ Upper and Lower thermostats are packaged together.

Anodes may need to be cut to length

<p>TOP LOCATION</p> <ul style="list-style-type: none"> ● Double element water heater, non-simultaneous single phase and three phase operation.  <p>59T66T 265-51046-00</p>
<p>TOP LOCATION</p> <ul style="list-style-type: none"> ● Double element water heater, simultaneous operation. <p>BOTTOM LOCATION</p> <ul style="list-style-type: none"> ● Single element water heater. ● Double element water heater, non-simultaneous three phase operation. ● Double element water heater, simultaneous operation.  <p>59T66T 265-50691-00</p>
<p>BOTTOM LOCATION</p> <ul style="list-style-type: none"> ● Double element water heater, non-simultaneous single phase operation  <p>59T 265-51046-00</p>



Item	Description	Model	Model	Model	Model
		RE130L	RE230LN	RE240LN	RE250L(N)
1	T&P Relief Valve	230-40594-02	230-40594-02	230-40594-02	230-40594-02
2	Heat Trap Insert (Inlet & Outlet)	239-51556-00	239-51556-00	239-51556-00	239-51556-00
3	Hot Water Outlet Device ♦	229-51995-00	229-51995-00	229-51858-00	229-51858-00
4	Cover Conduit/Ground	243-39451-00	243-39451-00	243-39451-00	243-39451-00
5	Cover Junction box	243-39452-00	243-39452-00	243-39452-00	243-39452-00
6	Cold Water Inlet Tube PEX ♦	229-51718-03	229-51718-03	229-52007-01	229-51718-02
7	Hex head Sacrificial Anode (Magnesium) #	224-47782-08	224-47782-08	224-47782-08	224-47782-08
	Hex head Sacrificial Anode (Aluminum) #	224-38508-01	224-38508-01	224-38508-01	224-38508-01
	Hex head Sacrificial Anode (A420 Aluminum) #	224-49559-04	224-49559-04	224-49559-04	224-49559-04
8	Upper Thermostat with High Limit (59T66) & protector ▲■	265-51046-00	265-51046-00	265-51046-00	265-51046-00
	Lower Thermostat (59T) w/ protector ▲■	265-51046-00	265-51046-00	265-51046-00	265-51046-00
	Lower Thermostat with High Limit (59T66) ▲	265-50691-00	265-50691-00	265-50691-00	265-50691-00
9	Heating Element 240V 4500W w/ gasket * (qty 2)	265-42544-08	265-42544-08	265-48642-00	265-48642-00
10	Thermostat Mounting Bracket	239-50689-00	239-50689-00	239-50689-00	239-50689-00
11	Access Cover	243-36618-02	243-36618-02	243-36618-02	243-36618-02
12	Brass Drain Valve	265-42351-02	265-51684-02	265-51684-02	265-51684-01
13	ASSE Approved Mixing Valve	239-51778-00	239-51778-00	239-51778-00	239-51778-00
14	Kit-Heat Trap Insert	265-51875-00	265-51875-00	265-51875-00	265-51875-00
15	Blanket Kit	239-50210-06	---	---	---
16	Insulation Kit	239-48949-00	239-48949-00	239-48949-00	239-48949-00

♦ Order with item 2.

▲ Thermostat protector provided with thermostat. The thermostat mounting bracket is also provided with t'stat.

* For other voltage and wattage combinations, refer to heating elements on page 10 & 11.

■ Upper and Lower thermostats are packaged together.

Anodes may need to be cut to length

**Heating Elements (Copper) for:
Residential Series (RE)
Light Duty (LE) Commercial Series
Medium Duty (E32) Commercial Series
Commercial (MII) Series**

Wattage	120 Volt	208 Volt	240 Volt	277 Volt	380 Volt
1000W ▲	220-42540-01	220-42544-01	220-42546-01	N/A	N/A
1250W ▲	N/A	N/A	220-42544-13	N/A	N/A
1500W ▲	220-42540-02	220-42544-03	220-42544-01	N/A	N/A
1500W (LWD)▲	220-42540-03	N/A	220-42544-02	N/A	N/A
2000W ▲	220-42540-04	220-42544-04	220-42544-03	N/A	N/A
2500W ▲	220-42540-05	220-42544-06	220-42544-04	N/A	N/A
3000W ▲	220-42540-07	220-42544-14	220-42544-05	N/A	N/A
3500W ▲▲	N/A	220-42544-08	220-42544-06	N/A	N/A
3800W ▲▲	N/A	N/A	220-42546-10	N/A	N/A
4000W ▲▲	N/A	220-42544-16	220-42544-14	N/A	N/A
4500W ▲▲	N/A	220-42544-12	220-42544-08	N/A	N/A
4500W (LWD) ▲▲	N/A	N/A	220-51333-09	N/A	N/A
5000W ▲▲	N/A	N/A	220-42544-10	N/A	N/A
5500W ▲▲	N/A	N/A	220-42544-16	N/A	N/A
6000W ▲▲	N/A	N/A	220-42544-12	N/A	N/A
Element gasket ^	223-34019-00	223-34019-00	223-34019-00	223-34019-00	223-34019-00
Element plug	223-34020-00	223-34020-00	223-34020-00	223-34020-00	223-34020-00

(LWD) = Low Watt Density

- ▲ For 12" Diameter tanks and above.
- ▲▲ For 14" Diameter tanks and above.
- * For 16" Diameter tanks and above.
- ** For 18" Diameter tanks and above.
- ^ Element gaskets included with elements.

**Heating Elements (Incoloy) for:
Residential Series (RE)
Light Duty (LE) Commercial Series
Medium Duty (E32) Commercial Series
Commercial (MII) Series**

Wattage	120 Volt	208 Volt	240 Volt	277 Volt	380 Volt
1000W ▲	N/A	220-42545-13	220-42547-10	N/A	N/A
1250W ▲	N/A	N/A	N/A	N/A	N/A
1500W ▲	220-42541-02	220-42545-02	220-42545-13	220-42547-10	220-42551-12
1500W (LWD)▲	N/A	N/A	N/A	N/A	N/A
2000W ▲	N/A	220-42545-14	220-42545-02	220-42547-07	220-42549-04
2500W ▲	N/A	220-42545-11	220-42545-14	220-42547-11	220-42551-13
3000W ▲	N/A	220-42545-12	220-42545-15	220-42547-08	220-42551-10
3500W ▲▲	N/A	220-51328-07	220-42545-11	N/A	220-42551-14
3800W ▲▲	N/A	N/A	220-42547-15	N/A	N/A
4000W ▲▲	N/A	220-42545-17	220-42545-12	220-42547-03	220-42551-16
4500W ▲▲	N/A	220-42545-19	220-51328-07	220-42547-12	220-42551-17
4500W (LWD) ▲▲	N/A	N/A	N/A	N/A	N/A
5000W ▲▲	N/A	220-42543-04	220-42545-18	220-42547-15	220-42553-11
5500W ▲▲	N/A	220-42543-05	220-42545-17	220-42547-13	220-42549-06
6000W ▲▲	N/A	220-42543-06	220-42545-19	220-42547-14	220-42549-05
Element gasket ^	223-34019-00	223-34019-00	223-34019-00	223-34019-00	223-34019-00
Element plug	223-34020-00	223-34020-00	223-34020-00	223-34020-00	223-34020-00

(LWD) = Low Watt Density

Element wrench ***

265-35897-12

Adapt-a-flange kit ***

265-36968-12

*** For use with residential, LD, E32, and MII series heating elements only. Not for use with commercial "A" series heating elements.

▲ For 12" Diameter tanks and above.

▲▲ For 14" Diameter tanks and above.

* For 16" Diameter tanks and above.

** For 18" Diameter tanks and above.

^ Element gaskets included with elements.



BRADFORD WHITE®

W A T E R H E A T E R S

Ambler, PA

For U.S. and Canada field service,
contact your professional installer or
local Bradford White sales representative.

Sales/800-523-2931

Technical Support/800-334-3393
Email/techserv@bradfordwhite.com

Warranty/800-531-2111
Email/warranty@bradfordwhite.com

Service Parts/800-538-2020
Email/Parts@bradfordwhite.com

International:
international@bradfordwhite.com



BRADFORD WHITE™

CANADA

Halton Hills, Ontario, Canada

Sales & Technical Support/866-690-0961
905-203-0600

Fax/905-636-0666

Email

Warranty/bwccwarranty@bradfordwhite.com
Technical Support/BWCCTech@bradfordwhite.com
Parts/orders@bradfordwhitecanada.com
Orders/ca.orders@bradfordwhite.com

www.bradfordwhite.com