



RESIDENTIAL ELECTRIC REPLACEMENT PARTS LIST

Residential Upright and Lowboy Models



Includes Hydrojet®
Total Performance System

Effective: April, 2015
ECO 7950

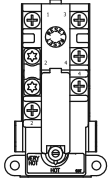
**NOTE: BOTH MODEL AND SERIAL
NUMBERS ARE REQUIRED FOR
ORDERING REPLACEMENT PARTS**

Dimensions and specifications
subject to change without notice.

TOP LOCATION

- Double element water heater, non-simultaneous single phase and three phase operation.

59T66T



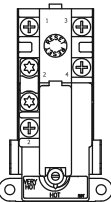
TOP LOCATION

- Double element water heater, simultaneous operation.

BOTTOM LOCATION

- Single element water heater.
- Double element water heater, non-simultaneous three phase operation.
- Double element water heater, simultaneous operation.

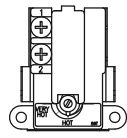
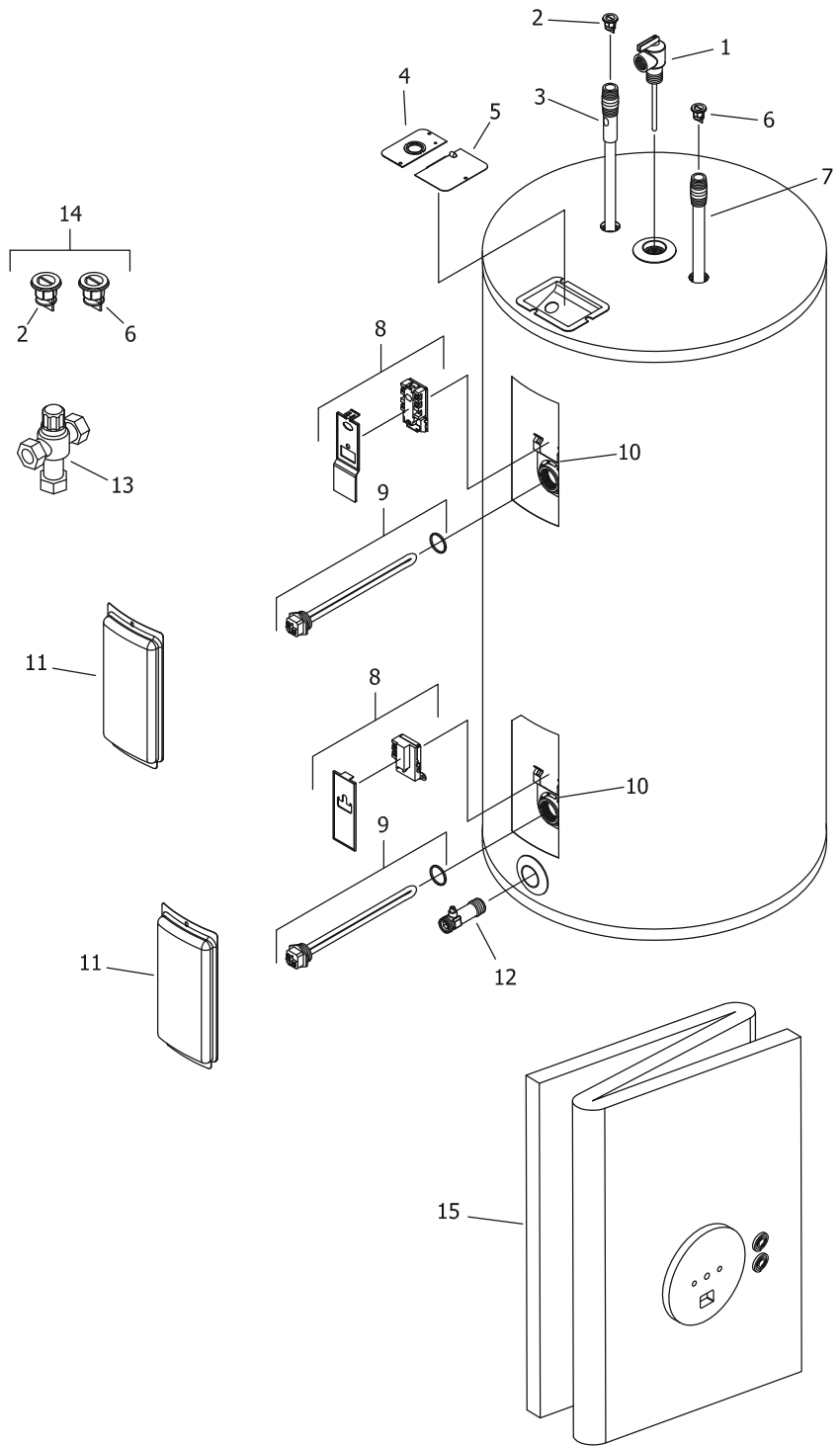
59T66T



BOTTOM LOCATION

- Double element water heater, non-simultaneous single phase operation

59T

Item	Description	Model RE240S	Model RE250S	Model RE330S	Model RE340S	Model RE350S
1	T&P Relief Valve	230-40594-02	230-40594-02	230-40594-02	230-40594-02	230-40594-02
2	Heat Trap Insert (Outlet)	239-45167-00	239-45167-00	239-45167-00	239-45167-00	239-45167-00
3	Hot Water Outlet Anode (Magnesium) ♦#	224-47776-19	224-47776-19	224-47776-19	224-47776-19	224-47776-19
	Hot Water Outlet Anode (Aluminum) ♦#	224-32999-42	224-32999-42	224-32999-42	224-32999-42	224-32999-42
	Hot Water Outlet Anode (A420 Aluminum) ♦#	224-49560-08	224-49560-08	224-49560-08	224-49560-08	224-49560-08
4	Cover Conduit/Ground	243-39451-00	243-39451-00	243-39451-00	243-39451-00	243-39451-00
5	Cover Junction box	243-39452-00	243-39452-00	243-39452-00	243-39452-00	243-39452-00
6	Heat Trap Insert (Inlet)	239-51556-00	239-51556-00	239-51556-00	239-51556-00	239-51556-00
7	Cold Water Inlet Tube PEX ♦♦	229-51230-21	229-51230-21	229-51230-21	229-51230-21	229-51230-21
8	Upper Thermostat with High Limit (59T66) & protector ▲■	265-51046-00	265-51046-00	265-51046-00	265-51046-00	265-51046-00
	Lower Thermostat (59T) w/ protector ▲■	265-51046-00	265-51046-00	265-51046-00	265-51046-00	265-51046-00
9	Heating Element 240V 4500W w/ gasket* (qty 2)	265-48642-00	265-48642-00	265-48642-00	265-48642-00	265-48642-00
10	Thermostat Mounting Bracket	239-50689-00	239-50689-00	239-50689-00	239-50689-00	239-50689-00
11	Access Cover	243-36618-02	243-36618-02	243-36618-02	243-36618-02	243-36618-02
12	Brass Drain Valve	265-42351-02	265-42351-02	265-42351-04	265-42351-04	265-42351-04
13	ASSE Approved Mixing Valve	239-43740-01	239-43740-01	239-43740-01	239-43740-01	239-43740-01
14	Kit-Heat Trap Insert	265-51572-00	265-51572-00	265-51572-00	265-51572-00	265-51572-00
15	Blanket Kit	239-50210-01	239-50210-02	-----	-----	-----

♦ Order with item 2.

♦♦ Order with item 6.

▲ Thermostat protector provided with thermostat.

* For other voltage and wattage combinations, refer to heating elements on page 8 & 9.

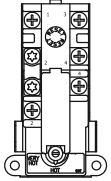
■ Upper and lower thermostats are packaged together.

Anodes may need to be cut to length

TOP LOCATION

- Double element water heater, non-simultaneous single phase and three phase operation.

59T66T



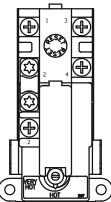
TOP LOCATION

- Double element water heater, simultaneous operation.

BOTTOM LOCATION

- Single element water heater.
- Double element water heater, non-simultaneous three phase operation.
- Double element water heater, simultaneous operation.

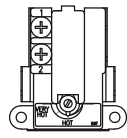
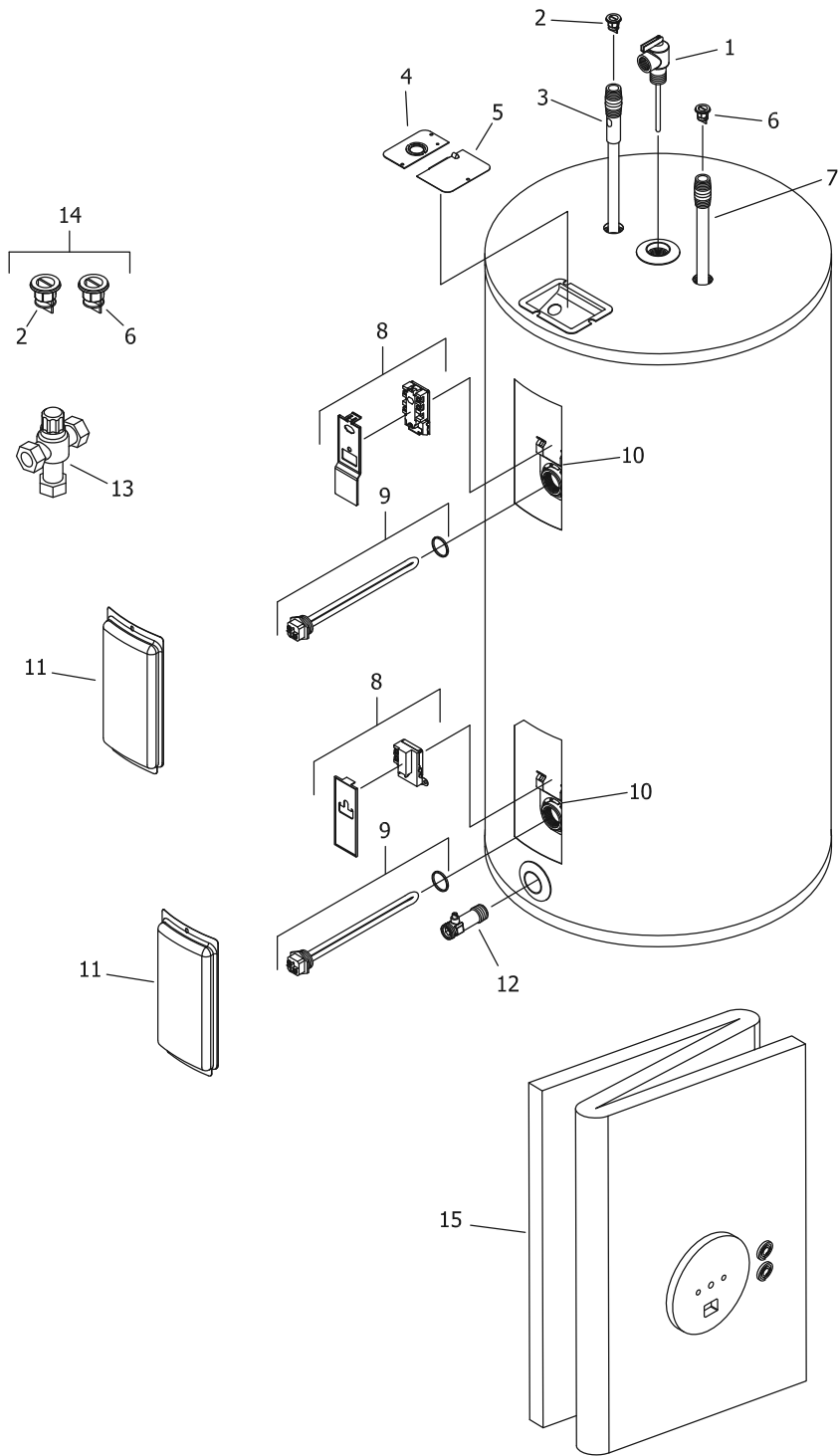
59T66T



BOTTOM LOCATION

- Double element water heater, non-simultaneous single phase operation

59T

Item	Description	Model	Model
		RE340T	RE350T
1	T&P Relief Valve	230-40594-02	230-40594-02
2	Heat Trap Insert (Outlet)	239-45167-00	239-45167-00
3	Hot Water Outlet Anode (Magnesium) ♦#	224-47776-19	224-47776-19
	Hot Water Outlet Anode (Aluminum) ♦#	224-32999-42	224-32999-42
	Hot Water Outlet Anode (A420 Aluminum) ♦#	224-49560-08	224-49560-08
4	Cover Conduit/Ground	243-39451-00	243-39451-00
5	Cover Junction box	243-39452-00	243-39452-00
6	Heat Trap Insert (Inlet)	239-51556-00	239-51556-00
7	Cold Water Inlet Tube PEX ♦♦	229-51230-28	229-51558-01
8	Upper Thermostat with High Limit (59T66) & protector ▲■	265-51046-00	265-51046-00
	Lower Thermostat (59T) w/ protector ▲■	265-51046-00	265-51046-00
9	Heating Element 240V 4500W w/ gasket * (qty 2)	265-48642-00	265-48642-00
10	Thermostat Mounting Bracket	239-50689-00	239-50689-00
11	Access Cover	243-36618-02	243-36618-02
12	Brass Drain Valve	265-42351-04	265-42351-04
13	ASSE Approved Mixing Valve	239-43740-01	239-43740-01
14	Kit-Heat Trap Insert	265-51572-00	265-51572-00
15	Blanket Kit	-----	-----

♦ Order with item 2.

♦♦ Order with item 6.

▲ Thermostat protector provided with thermostat.

* For other voltage and wattage combinations, refer to heating elements on page 8 & 9.

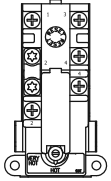
■ Upper and lower thermostats are packaged together.

Anodes may need to be cut to length

TOP LOCATION

- Double element water heater, non-simultaneous single phase and three phase operation.

59T66T



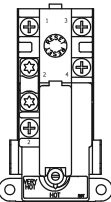
TOP LOCATION

- Double element water heater, simultaneous operation.

BOTTOM LOCATION

- Single element water heater.
- Double element water heater, non-simultaneous three phase operation.
- Double element water heater, simultaneous operation.

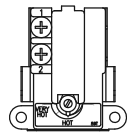
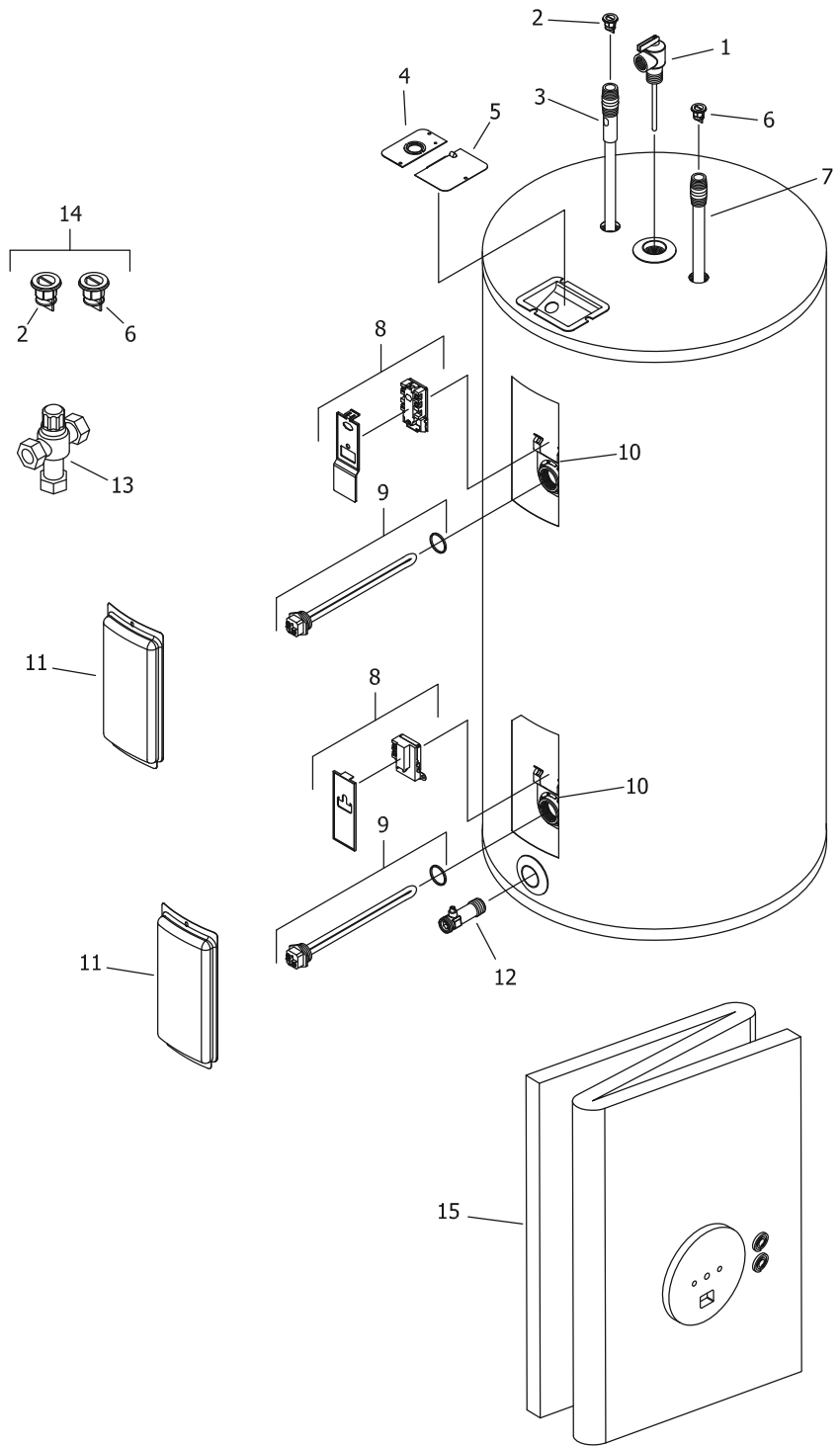
59T66T



BOTTOM LOCATION

- Double element water heater, non-simultaneous single phase operation

59T

Item	Description	Model RE120L	Model RE230L	Model RE240L	Model RE250L
1	T&P Relief Valve	230-40594-02	230-40594-02	230-40594-02	230-40594-02
2	Heat Trap Insert (Outlet)	-----	239-45167-00	239-45167-00	239-45167-00
3	Hot Water Outlet Anode (Magnesium) ♦#	224-47776-19	224-47776-19	224-47776-19	224-47776-19
	Hot Water Outlet Anode (Aluminum) ♦#	224-32999-42	224-32999-42	224-32999-42	224-32999-42
	Hot Water Outlet Anode (A420 Aluminum) ♦#	224-49560-08	224-49560-08	224-49560-08	224-49560-08
4	Cover Conduit/Ground	243-39451-00	243-39451-00	243-39451-00	243-39451-00
5	Cover Junction box	243-39452-00	243-39452-00	243-39452-00	243-39452-00
6	Heat Trap Insert (Inlet)	-----	239-51556-00	239-51556-00	239-51556-00
7	Cold Water Inlet Tube Pex ♦♦	229-51230-01	229-51230-27	229-51230-27	229-51230-27
8	Upper Thermostat with High Limit (59T66) w/ protector ▲■	265-51046-00	265-51046-00	265-51046-00	265-51046-00
	Lower Thermostat (59T) w/ protector ▲■	265-51046-00	265-51046-00	265-51046-00	265-51046-00
	Lower Thermostat with High Limit (89T13) ▲	265-50691-00	265-50691-00	265-50691-00	265-50691-00
9	Heating Element 240V 4500W w/ gasket* (qty 2)	265-48642-00	265-48642-00	265-48642-00	265-48642-00
10	Thermostat Mounting Bracket	239-50689-00	239-50689-00	239-50689-00	239-50689-00
11	Access Cover	243-36618-02	243-36618-02	243-36618-02	243-36618-02
12	Brass Drain Valve	265-42351-03	265-42351-03	265-42351-03	265-42351-03
13	ASSE Approved Mixing Valve	239-43740-01	239-43740-01	239-43740-01	239-43740-01
14	Kit-Heat Trap Insert	-----	265-51572-00	265-51572-00	265-51572-00
15	Blanket Kit	-----	239-50210-03	239-50210-04	239-50210-05

♦ Order with item 2.

♦♦ Order with item 6.

▲ Thermostat protector provided with thermostat.

* For other voltage and wattage combinations, refer to heating elements on page 8 & 9.

■ Upper and Lower thermostats are packaged together.

Anodes may need to be cut to length

**Heating Elements (Copper) for:
Residential Series (RE)
Light Duty (LE) Commercial Series
Medium Duty (E32) Commercial Series
Commercial (MII) Series**

Wattage	120 Volt	208 Volt	240 Volt	277 Volt	380 Volt
1000W ▲	265-42540-01	265-42544-01	265-42546-01	N/A	N/A
1250W ▲	N/A	N/A	265-42544-13	N/A	N/A
1500W ▲	265-42540-02	265-42544-03	265-42544-01	265-42546-01	265-42550-10
1500W (LWD) ▲	265-42540-03	N/A	265-42544-02	N/A	N/A
2000W ▲	265-42540-04	265-42544-04	265-42544-03	265-42546-09	265-42548-04
2500W ▲	265-42540-05	265-42544-06	265-42544-04	265-42546-03	265-42550-11
3000W ▲	265-42540-07	265-42544-14	265-42544-15	265-42546-04	265-42550-09
3500W ▲▲	N/A	265-51333-08	265-42544-06	N/A	265-42550-06
3800W ▲▲	N/A	N/A	265-42546-07	N/A	N/A
4000W ▲▲	N/A	265-42544-11	265-42544-14	265-42546-05	265-42550-03
4500W ▲▲	N/A	265-42544-12	265-51333-08	265-42546-06	265-42550-04
4500W (LWD) ▲▲	N/A	N/A	265-51333-09	N/A	N/A
5000W ▲▲	N/A	265-42542-02	265-42544-10	265-42546-07	265-42550-05
5500W ▲▲	N/A	265-42542-03	265-42544-11	N/A	265-42548-03
6000W ▲▲	N/A	265-42542-04	265-42544-12	265-42546-08	265-42548-02
Element gasket ^	265-34019-00	265-34019-00	265-34019-00	265-34019-00	265-34019-00
Element plug	265-34020-00	265-34020-00	265-34020-00	265-34020-00	265-34020-00

(LWD) = Low Watt Density

▲ For 12" Diameter tanks and above.

▲▲ For 14" Diameter tanks and above.

* For 16" Diameter tanks and above.

** For 18" Diameter tanks and above.

^ Element gaskets should be ordered with elements.

**Heating Elements (Incoloy) for:
Residential Series (RE)
Light Duty (LE) Commercial Series
Medium Duty (E32) Commercial Series
Commercial (MII) Series**

Wattage	120 Volt	208 Volt	240 Volt	277 Volt	380 Volt
1000W ▲	N/A	N/A	N/A	N/A	N/A
1250W ▲	N/A	N/A	N/A	N/A	N/A
1500W ▲	265-42541-02	265-42545-02	265-42545-13	N/A	265-42551-12
1500W (LWD) ▲	N/A	N/A	N/A	N/A	N/A
2000W ▲	N/A	265-42545-14	265-42545-02	265-42547-07	265-42549-04
2500W ▲	N/A	265-42545-11	265-42545-14	N/A	265-42551-13
3000W ▲	N/A	265-42545-12	265-42545-15	265-42547-08	265-42551-10
3500W ▲▲	N/A	265-51328-07	265-42545-11	N/A	265-42551-05
3800W ▲▲	N/A	N/A	265-42547-09	N/A	N/A
4000W ▲▲	N/A	265-42545-09	265-42545-12	265-42547-03	265-42551-07
4500W ▲▲	N/A	265-42545-10	265-51328-07	265-42547-04	265-42551-08
4500W (LWD) ▲▲	N/A	N/A	N/A	N/A	N/A
5000W ▲▲	N/A	265-42543-01	265-42545-08	265-42547-09	265-42551-09
5500W ▲▲	N/A	265-42543-02	265-42545-09	265-42547-05	265-42549-03
6000W ▲▲	N/A	265-42543-03	265-42545-10	265-42547-06	265-42549-02
Element gasket ^	265-34019-00	265-34019-00	265-34019-00	265-34019-00	265-34019-00
Element plug	265-34020-00	265-34020-00	265-34020-00	265-34020-00	265-34020-00

(LWD) = Low Watt Density

For bagged elements that include gasket, change part number prefix to 265- (example: 265-42541-02).

Element wrench *** 265-35897-12

Adapt-a-flange kit *** 265-36968-12

*** For use with residential, LD, E32, and MII series heating elements only. Not for use with commercial "A" series heating elements.

▲ For 12" Diameter tanks and above.

▲▲ For 14" Diameter tanks and above.

* For 16" Diameter tanks and above.

** For 18" Diameter tanks and above.

^ Element gaskets should be ordered with elements.



BRADFORD WHITE®

W A T E R H E A T E R S

Ambler, PA

For U.S. and Canada field service,
contact your professional installer or
local Bradford White sales representative.

Sales/800-523-2931
Fax/215-641-1670
Parts Fax/215-641-2180

Technical Support/800-334-3393
Fax/269-795-1089

Warranty/800-531-2111
Fax/269-795-1089

International:
Telephone/215-641-9400
Telefax/215-641-9750



BRADFORD WHITE-CANADA® INC.

Mississauga, ON

Sales/866-690-0961
905-238-0100

Fax/905-238-0105

Technical Support/800-334-3393

Email

parts@bradfordwhite.com
techserv@bradfordwhite.com

www.bradfordwhite.com