



REPLACEMENT PARTS LIST

High Efficiency eF Series®

Residential & Light Duty Commercial Gas

Power Vent Models

90%+ Thermal Efficiency



(L,R)C2PV50*(N,X)
(*) Denotes Warranty Years

Includes Hydrojet®
Total Performance System

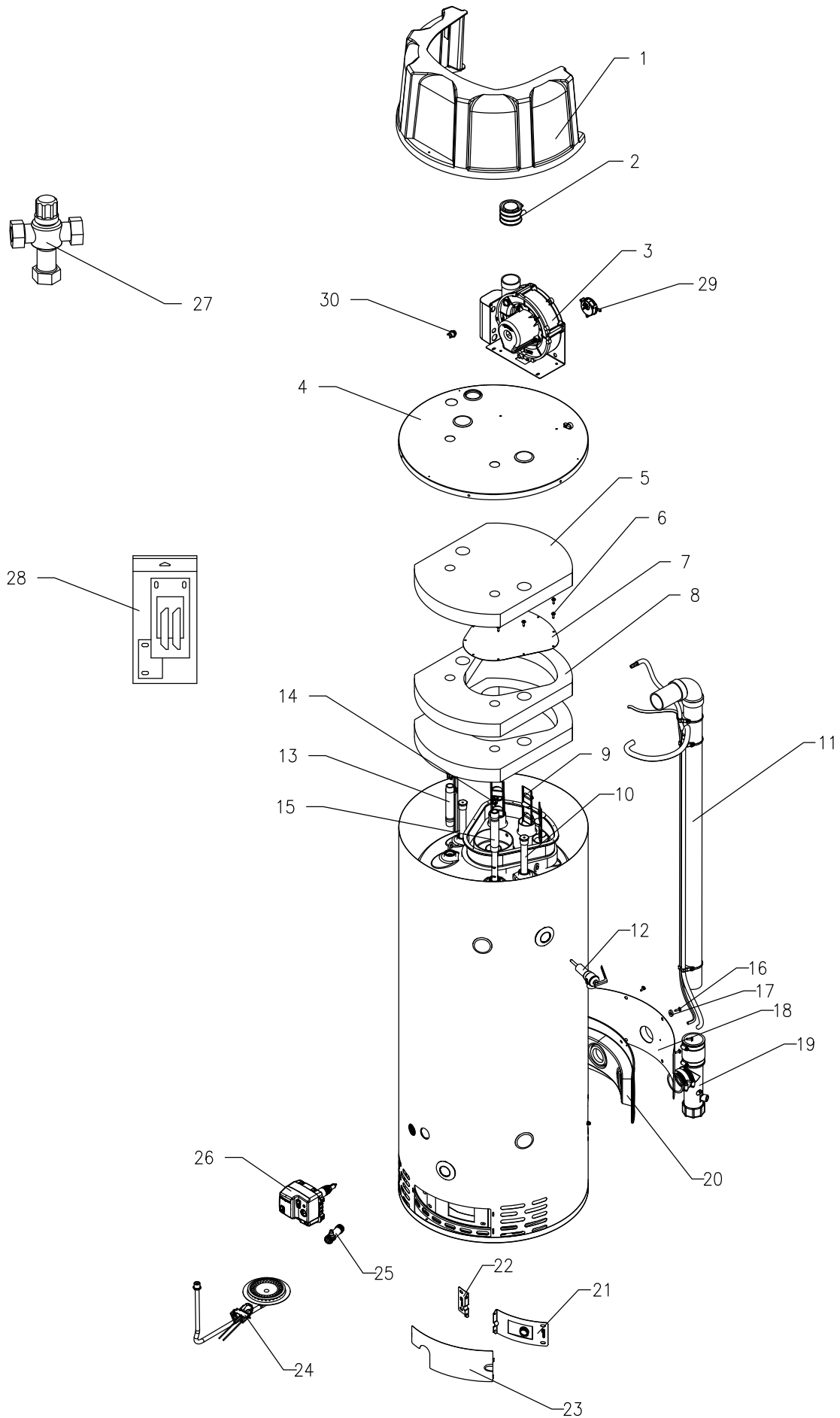
Effective: August 2018
ECO 7926

**NOTE: BOTH MODEL AND SERIAL
NUMBERS ARE REQUIRED FOR
ORDERING REPLACEMENT PARTS**

Dimensions and specifications
subject to change without notice.



As required by the state of California Proposition 65.



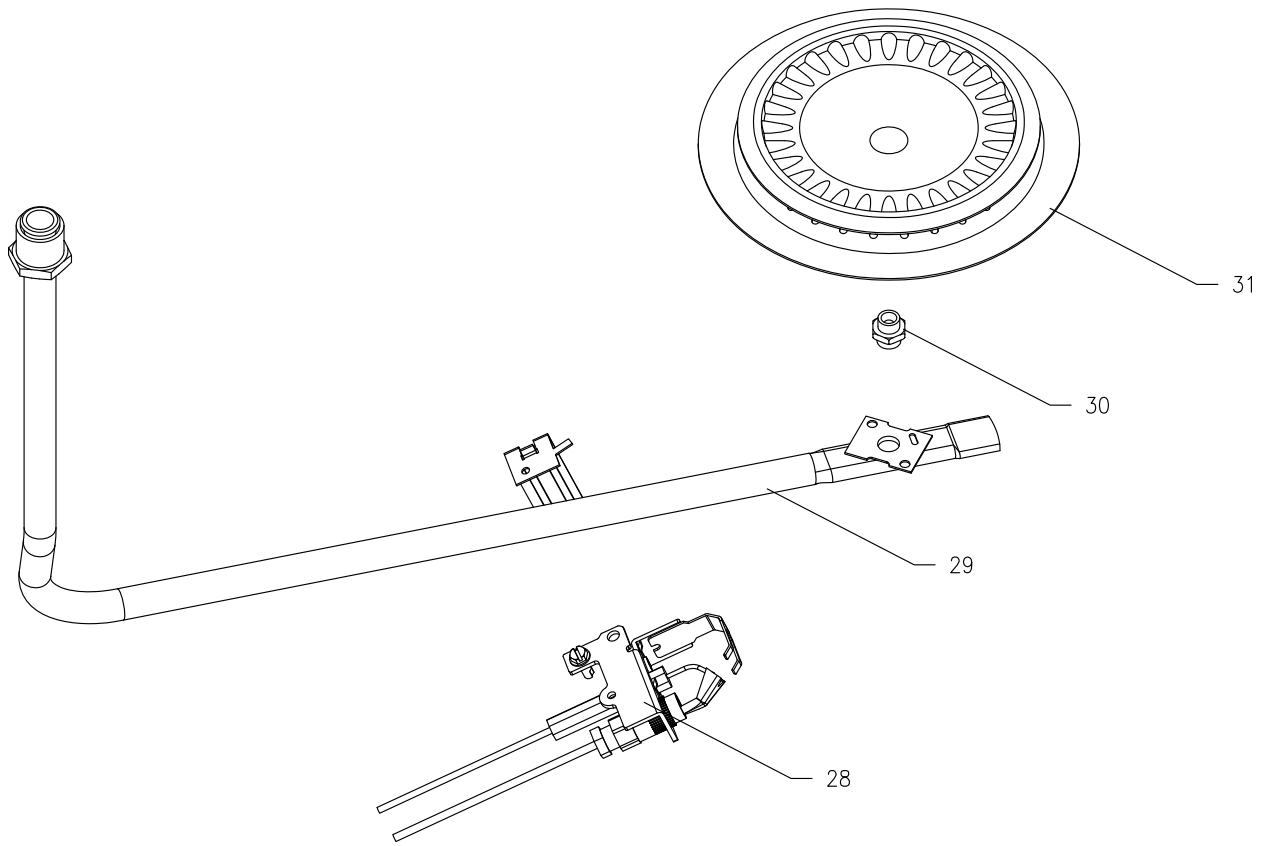
| Item | Description | Model | Model | Model | Model |
|-----------------------|--|-----------------|-----------------|-----------------|-----------------|
| | | RC2PV50H6N | LC2PV50H763N | RC2PV50H6X | LC2PV50H763X |
| 1 | Surround | 239-50864-00 | 239-50864-00 | 239-50864-00 | 239-50864-00 |
| 2 | 2" Exhaust Adapter | 239-50874-00 | 239-50874-00 | 239-50874-00 | 239-50874-00 |
| 3 | Blower | 239-50844-00 | 239-50844-00 | 239-50844-00 | 239-50844-00 |
| | Blower (Hi-Alt) | 239-51741-00 | 239-51741-00 | 239-51741-00 | 239-51741-00 |
| 4 | Jacket Head | 239-50847-00 | 239-50847-00 | 239-50847-00 | 239-50847-00 |
| 5 | Jacket Head Insulation | 226-50839-00 | 226-50839-00 | 226-50839-00 | 226-50839-00 |
| 6 | Screw (10 Req'd) | 239-32761-00 | 239-32761-00 | 239-32761-00 | 239-32761-00 |
| 7 | Collector Cover | 239-50851-00 | 239-50851-00 | 239-50851-00 | 239-50851-00 |
| 8 | Collector Insulation (2 Req'd) | 226-50841-00 | 226-50841-00 | 226-50841-00 | 226-50841-00 |
| 9 | Flue Baffle | 239-50826-00 | 239-50826-00 | 239-50826-00 | 239-50826-00 |
| 10 | Hex Head Anode (A420 Aluminum) (2 Req'd) # | 224-49559-04 | 224-49559-04 | 224-49559-04 | 224-49559-04 |
| 11 | Vent Pipe Assembly | 239-50846-01 | 239-50846-01 | 239-50846-01 | 239-50846-01 |
| 12 | T&P Relief Valve | 230-40594-02 | 230-40594-02 | 230-40594-02 | 230-40594-02 |
| 13 | Hot Water Outlet | 229-32762-00 | 229-32762-00 | 229-32762-00 | 229-32762-00 |
| 14 | Heat Trap Insert (2 Req'd) | 239-45167-00 | 239-45167-00 | 239-45167-00 | 239-45167-00 |
| 15 | Cold Water Inlet Polysulfone | 229-45092-00 | 229-45092-00 | 229-45092-00 | 229-45092-00 |
| 16 | Screw (8 Req'd) | 239-51224-00 | 239-51224-00 | 239-51224-00 | 239-51224-00 |
| 17 | Washer (8 Req'd) | 239-51689-00 | 239-51689-00 | 239-51689-00 | 239-51689-00 |
| 18 | Exhaust Cover | 239-51632-00 | 239-51632-00 | 239-51632-00 | 239-51632-00 |
| 19 | Condensate Tee | 239-51529-00 | 239-51529-00 | 239-51529-00 | 239-51529-00 |
| 20 | Exhaust Gasket | 239-50854-00 | 239-50854-00 | 239-50854-00 | 239-50854-00 |
| 21 | Right Side Inner Door* | 239-45642-20 | 239-45642-20 | 239-45642-20 | 239-45642-20 |
| 22 | Left Side Inner Door* | 239-43968-20 | 239-43968-20 | 239-43968-20 | 239-43968-20 |
| 23 | Outer Door | 243-43962-00 | 243-43962-00 | 243-43962-00 | 243-43962-00 |
| 24 | Burner Assembly** | 265-47784-03-21 | 265-47784-03-21 | 265-47376-02-40 | 265-47376-02-40 |
| 25 | Brass Drain Valve | 265-42351-02 | 265-42351-02 | 265-42351-02 | 265-42351-02 |
| 26 | Gas Valve | 239-48795-02 | 239-48795-02 | 239-48795-02 | 239-48795-02 |
| 27 | ASSE Approved Mixing Valve (Optional) 28 | 239-43740-01 | 239-43740-01 | 239-43740-01 | 239-43740-01 |
| Inner Door Gasket Kit | | 265-51742-00 | 265-51742-00 | 265-51742-00 | 265-51742-00 |
| 29 | Pressure Switch (-1.70" W.C. ±0.06) | 239-51233-01 | 239-51233-01 | 239-51233-01 | 239-51233-01 |
| | Pressure Switch (Hi-Alt) (-1.30" W.C. ±0.06) | 239-51233-02 | 239-51233-02 | 239-51233-02 | 239-51233-02 |
| 30 | Blower Temperature Switch | 239-48752-00 | 239-48752-00 | 239-48752-00 | 239-48752-00 |

*Inner door gasket kit recommended

**Ordering a complete burner assembly may increase delivery time.

Please order the specific component required for the quickest delivery.

Anode may need to be cut to length



| Item | Description | Model | Model | Model | Model |
|------|-------------|--------------|--------------|--------------|--------------|
| | | RC2PV50H6N | LC2PV50H763N | RC2PV50H6X | LC2PV50H763X |
| 28 | Pilot | 233-45653-02 | 233-45653-02 | 233-45653-04 | 233-45653-04 |
| 29 | Feedline | 233-47374-03 | 233-47374-03 | 233-47672-03 | 233-47672-03 |
| 30 | Orifice | 243-41034-21 | 243-41034-21 | 234-47064-40 | 234-47064-40 |
| 31 | Burner | 228-42506-00 | 228-42506-00 | 228-47000-00 | 228-47000-00 |



BRADFORD WHITE®

W A T E R H E A T E R S

Ambler, PA

For U.S. and Canada field service,
contact your professional installer or
local Bradford White sales representative.

Sales/800-523-2931
Fax/215-641-1670
Parts Fax/215-641-2180

Technical Support/800-334-3393
Fax/269-795-1089

Warranty/800-531-2111
Fax/269-795-1089

International:
Telephone/215-641-9400
Telefax/215-641-9750



BRADFORD WHITE-CANADA® INC.

Mississauga, ON

Sales/866-690-0961
905-238-0100

Fax/905-238-0105

Technical Support/800-334-3393

Email

parts@bradfordwhite.com
techserv@bradfordwhite.com

www.bradfordwhite.com