



BRADFORD WHITE[®]
W A T E R H E A T E R S

COMMERCIAL REPLACEMENT PARTS LIST
Power Direct Vent PDV T Model

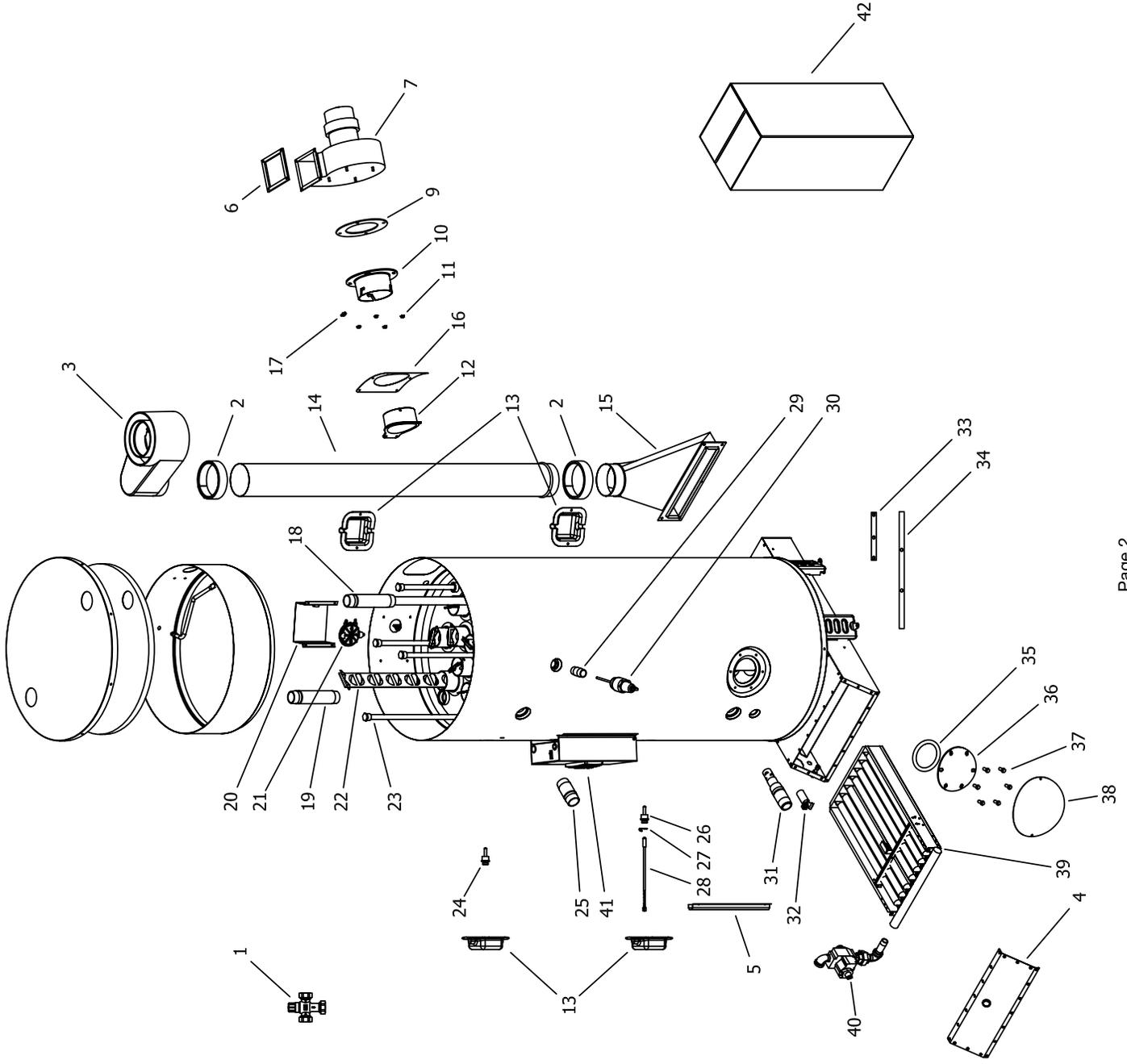


Includes Hydrojet[®]
Total Performance System

Effective: March 2009
ECO 7187

**NOTE: BOTH MODEL AND SERIAL
NUMBERS ARE REQUIRED FOR
ORDERING REPLACEMENT PARTS**

Dimensions and specifications
subject to change without notice.



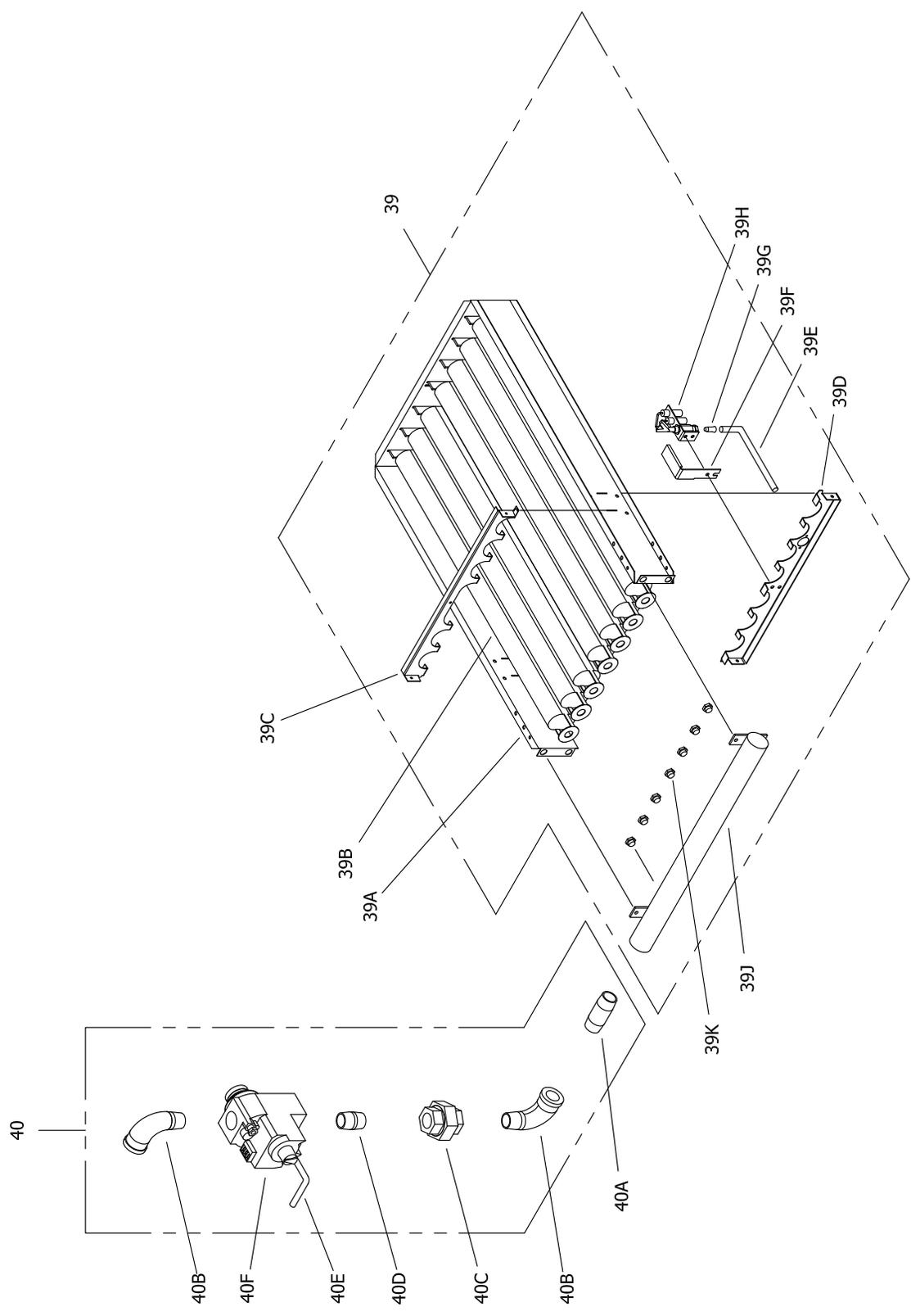
Item	Description	Model	Model
		PDV80T300(E)*(N,X)(A)	PDV100T360(E)*(N,X)(A)
1	ASSE Approved Mixing Valve (Optional)	239-43740-02	239-43740-02
2	Vent Clamp	239-42065-00	239-42065-00
3	Blower Vent Adaptor	239-41523-00	239-41523-00
4	Combustion Box Cover	239-41608-00	239-41608-00
5	Raceway Valve and Pilot Wires	239-41551-01	239-41551-02
6	Blower Receptacle Gasket	239-41549-00	239-41549-00
7	Blower	239-41503-00	239-41503-00
9	Blower Intake Gasket	239-81161-00	239-81161-00
10	Blower Mounting Flange	239-41525-00	239-41525-00
11	Nut 1/4-20 Hex	239-43297-00	239-43297-00
12	Collector to Blower Transition	239-41505-00	239-41505-00
13	Utility Cover	239-80281-03	239-80281-03
14	Air Intake Pipe	239-41590-01	239-41590-02
15	Combustion Box Boot	243-41576-00	243-41576-00
16	Blower Escutcheon	243-41524-00	243-41524-00
17	Blower Hose Barb	239-41553-00	239-41553-00
18	Cold Water Inlet Dip Tube (Top)	229-46709-04	229-46709-04
19	Hot Water Outlet Nipple (Top)	229-41573-01	229-41573-01
20	Cover Pressure Switch	239-41763-00	239-41763-00
21	Pressure Switch (0ft to 5000ft)	239-44063-04	239-44063-02
	Pressure Switch High Altitude (Over 5000ft)	239-44063-03	239-44063-01
22	Flue Baffle	243-41455-00	243-41455-00
23	Anode Hex Head Magnesium	224-32758-24	224-32758-15
	Anode Hex Head Aluminum	224-38508-06	224-38508-03
24	Upper Thermostat Sensor	239-82033-00	239-82033-00
25	Hot Water Outlet Nipple (Side)	229-40913-02	229-40913-02
26	Lower Thermostat Well	239-46558-01	239-46558-01
27	Lower Thermostat Sensor Clip	233-45242-00	233-45242-00
28	Lower Thermostat Sensor	239-46553-01	239-46553-01
29	T/P nipple	239-80982-00	229-80982-00
30	T/P valve	230-33630-04	230-33630-04
31	Cold Water Inlet Dip Tube (Side)	229-44731-00	229-44731-00
32	Drain Valve	265-42351-02	265-42351-02
33	Combustion Box Gasket - Sides	239-41626-00	239-41626-00
34	Combustion Box Gasket - Top & Bottom	239-41627-00	239-41627-00
35	Cleanout O-Ring	205-18427-00	205-18427-00
	Cleanout Gasket (ASME)	205-32942-00	205-32942-00
36	Cleanout Cover	205-18428-00	205-18428-00
	Cleanout Cover (ASME)	205-32942-00	205-32942-00
37	Screw 5/16-18 X 1/2 Hex	239-82166-00	239-82166-00
	Screw 5/16-18 X 1/2 Hex (ASME)	239-32970-00	239-32970-00
38	Cleanout Jacket Cover	243-20299-00	243-20299-00
39	Burner Assembly (Natural Gas) ***	243-41468-07	243-41468-09
	Burner Assembly (Natural Gas) (Lo-NOx) *** ▲	243-42955-01	243-42955-02
	Burner Assembly (LP Gas) ***	243-41468-08	243-41468-10
40	Gas Valve Assembly (Natural Gas)	243-41552-01	243-41552-01
	Gas Valve Assembly (LP Gas)	243-41552-02	243-41552-02
41	Control Box Assembly**	243-46621-01	243-46621-02
42	Vent Kit	243-41769-01	243-41769-01

*Applies to all warranties

**Ordering a complete Control Box Assembly may increase delivery time. Please order specific components for quickest delivery.

***Ordering a complete Burner Assembly may increase delivery time. Please order specific components for quickest delivery.

▲Applies when "E" is present in model number (example PDV80T300E3N)



Item	Description	Model	Model
		PDV80T300(E)*(N,X)(A)	PDV100T360(E)*(N,X)(A)
39	Burner Assembly (Natural Gas) ***	243-41468-07	243-41468-09
	Burner Assembly (Natural Gas) (Lo-NOx) *** ▲	243-42955-01	243-42955-02
	Burner Assembly (LP Gas) ***	243-41468-08	243-41468-10
39A	Burner Rack	239-81969-02	239-81969-02
39B	Burner Tube (STD)	228-39177-00	228-39177-00
	Burner Tube (Lo-NOx) ▲	228-42490-00	228-42490-00
	Burner Tube (Stainless)	228-81964-00	228-81964-00
39C	Burner Draft Panel	239-39420-00	239-39420-00
39D	Burner Support	239-45181-00	239-45181-00
39E	Aluminum Tubing	233-80361-09	233-80361-09
39F	Pilot Shield	239-41333-00	239-41333-00
39G	Pilot Orifice (Natural Gas)	233-41606-01	233-41606-01
	Pilot Orifice (LP Gas)	233-41606-02	233-41606-02
39H	Pilot Assembly (Natural Gas)	233-42013-01	233-42013-01
	Pilot Assembly (LP Gas)	233-42013-02	233-42013-02
39J	Manifold	233-41550-00	233-41550-00
39K	Main Burner Orifice (Natural Gas) (0ft to 2000ft)	234-06016-33	234-06016-31
	High Altitude Orifice (Natural Gas) (2001ft to 5000ft)	234-06016-33	234-06016-31
	High Altitude Orifice (Natural Gas) (5001ft to 8000ft)	234-06016-35	234-06016-32
	High Altitude Orifice (Natural Gas) (8001ft & above)	234-06016-35	234-06016-32
	Main Burner Orifice LP Gas) (0ft to 2000ft)	234-06016-49	234-06016-47
	High Altitude Orifice (LP Gas) (2001ft to 5000ft)	234-06016-49	234-06016-47
	High Altitude Orifice (LP Gas) (5001ft to 8000ft)	234-06016-50	234-06016-48
	High Altitude Orifice (LP Gas) (8001ft & above)	234-06016-50	234-06016-48
40	Gas Valve Assembly (Natural Gas)	243-41552-01	243-41552-01
	Gas Valve Assembly (LP Gas)	243-41552-02	243-41552-02
40A	Nipple	239-33557-00	239-31811-00
40B	Street Elbow	239-20292-00	239-20292-00
40C	Union	239-41833-00	239-41833-00
40D	Nipple Close	239-05972-00	239-05972-00
40E	Aluminum Tubing	233-80361-08	233-80361-08
40F	Gas Valve (Natural Gas)	222-80830-02	222-80830-02
	Gas Valve (LP Gas)	222-80831-02	222-80831-02
-	LP to NAT Conversion Kit	265-46035-04	265-46035-05

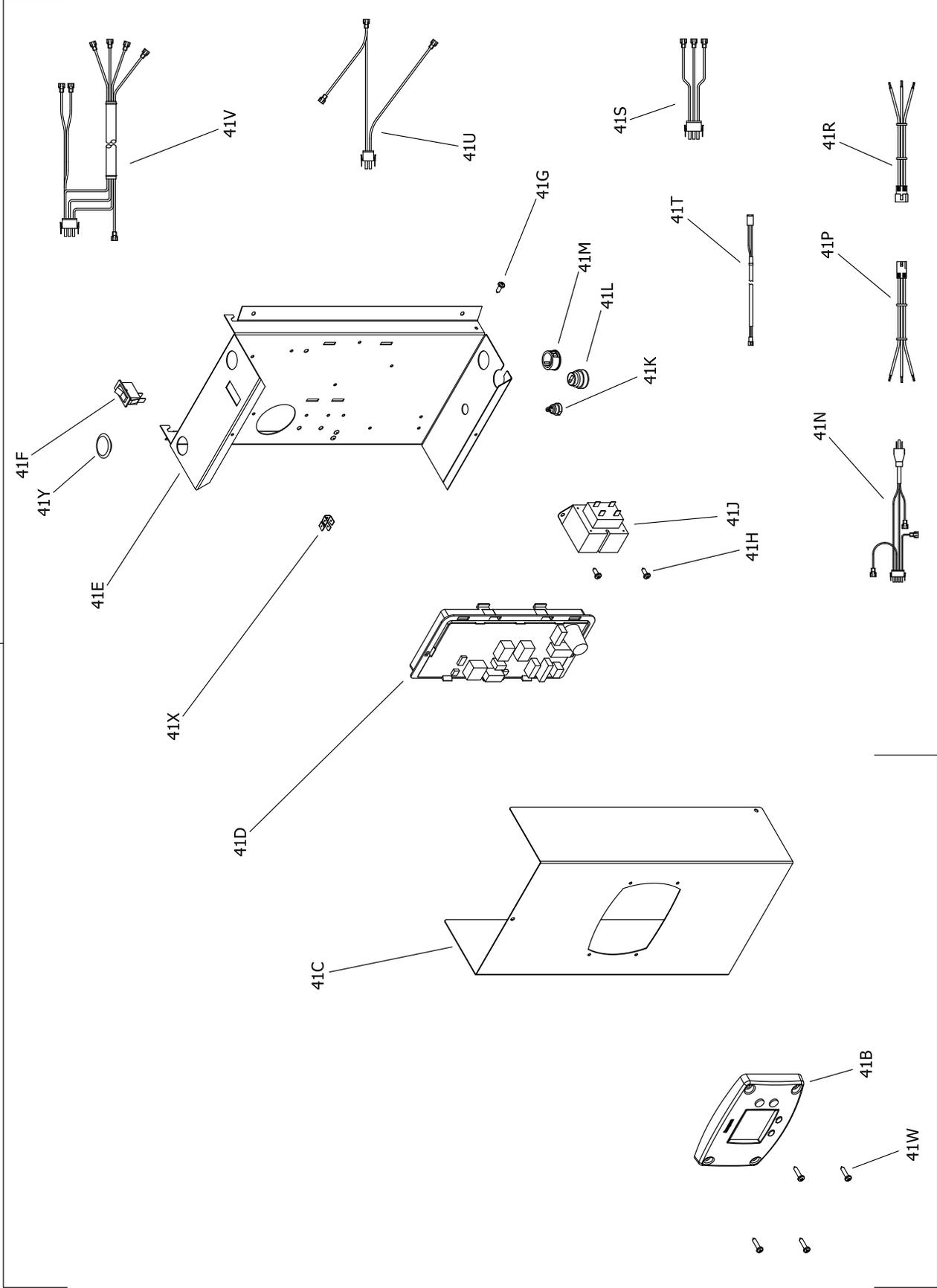
*Applies to all warranties

**Ordering a complete Control Box Assembly may increase delivery time. Please order specific components for quickest delivery.

***Ordering a complete Burner Assembly may increase delivery time. Please order specific components for quickest delivery.

▲Applies when "E" is present in model number (example PDV80T300E3N)

41



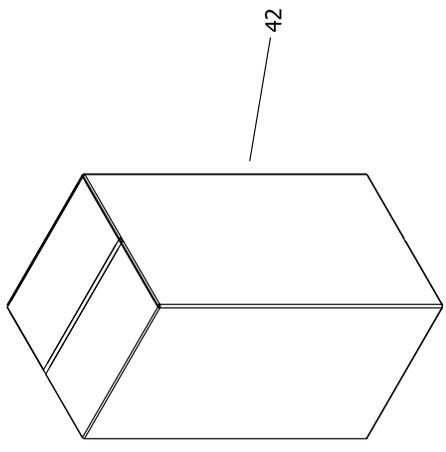
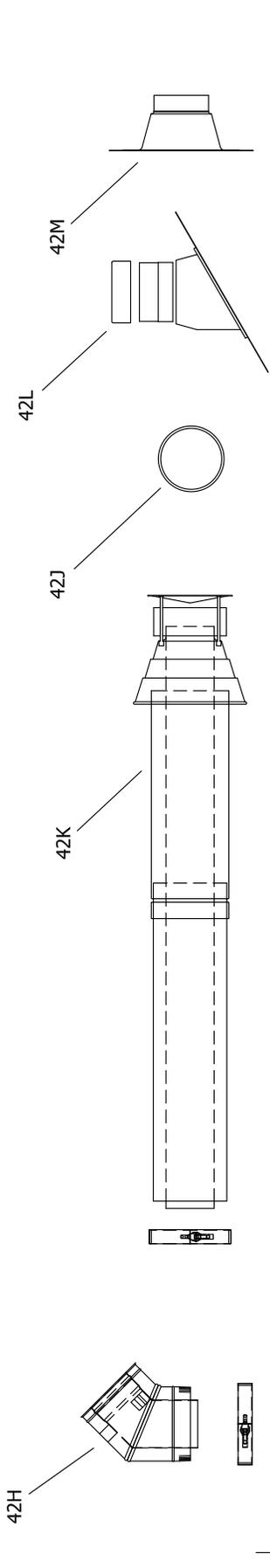
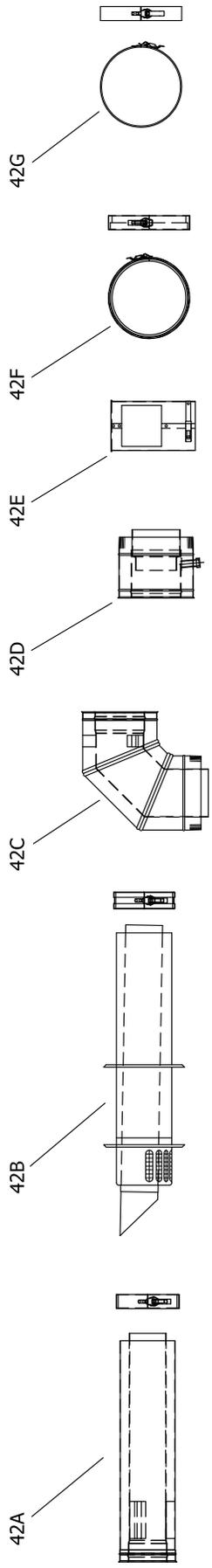
Item	Description	Model	Model
		PDV80T300(E)*(N,X)(A)	PDV100T360(E)*(N,X)(A)
41	Control Box Assembly**	243-46621-01	243-46621-02
41A	Control Box Cover Assembly	243-46615-02	243-46615-02
41B	Honeywell Temperature Control Display	233-46557-00	233-46557-00
41C	Control Box Cover	239-46509-00	239-46509-00
41D	Integrated Control Board	233-46627-00	233-46627-00
41E	Control Box Panel	239-46508-00	239-46508-00
41F	Power On/Off Switch	239-41566-00	239-41566-00
41G	Screw 8/32 X 1/4 Pan Head CR w/adh.	239-46522-00	239-46522-00
41H	Screw #8-18 X 1/2 Pan Head CR	239-43736-00	239-43736-00
41J	Transformer 110V	233-44072-01	233-44072-01
41K	Strain Relief Bushing 1/2"	239-44575-00	239-44575-00
41L	Strain Relief Bushing 7/8"	239-80372-00	239-80372-00
41M	Snap-in Bushing 7/8"	239-80406-00	239-80406-00
41N	Power Cord Wiring Harness	239-46533-00	239-46533-00
41P	Display Control Wiring Harness	239-46944-00	239-46944-00
41R	Display Cover Wiring Harness	239-46617-00	239-46617-00
41S	Primary Transformer Wiring Harness	239-46531-00	239-46531-00
41T	Wire Harness Upper Sensor	239-46623-02	239-46623-01
41U	Secondary Transformer Wiring Harness	239-46530-00	239-46530-00
41V	Gas Valve Control Wiring Harness	239-46534-03	239-46534-03
41W	Screw #8-18 X 3/4 Pan Head CR	239-43863-00	239-43863-00
41X	Ground Lug 1/4 x .032	239-80112-00	239-80112-00
41Y	Snap-in plug 7/8"	239-81415-05	239-81415-05

*Applies to all warranties

**Ordering a complete Control Box Assembly may increase delivery time. Please order specific components for quickest delivery.

***Ordering a complete Burner Assembly may increase delivery time. Please order specific components for quickest delivery.

▲Applies when "E" is present in model number (example PDV80T300E3N)



Item	Description	Model	Model
		PDV80T300(E)*(N,X)(A)	PDV100T360(E)*(N,X)(A)
42	Vent Kit	243-41769-01	243-41769-01
42A	Coaxial Tube 130/200 w/Clamp (2 per kit)	239-41593-00	239-41593-00
42B	Coaxial Vent Term. Vertical 130/200 w/Clamp	239-41589-00	239-41589-00
42C	Coaxial Vent Elbow 130/200	239-41584-00	239-41584-00
42D	Horz./Vert. Condensate Trap 130/200	239-41597-00	239-41597-00
42E	Cap Horizontal Vent Term. 130	239-41676-00	239-41676-00
42F	Vent Adaptor Clamp	239-41459-00	239-41459-00
42G	Vent Pipe Clamp 200	239-41629-00	239-41629-00
42H	Coaxial Vent Elbow 45° 130/200 w/Clamp (Optional)	239-41585-00	239-41585-00
42J	Silicone Seal 130 (Optional)	239-41595-00	239-41595-00
42K	Coax Vent Term. Vertical 130/200 w/Clamp (Optional)	239-41586-00	239-41586-00
42L	Roof Flashing Angled 200 (Optional)	239-41679-02	239-41679-02
42M	Roof Flashing 200 (Optional)	239-41678-02	239-41678-02

*Applies to all warranties

**Ordering a complete Control Box Assembly may increase delivery time. Please order specific components for quickest delivery.

***Ordering a complete Burner Assembly may increase delivery time. Please order specific components for quickest delivery.

▲ Applies when "E" is present in model number (example PDV80T300E3N)



BRADFORD WHITE[®]

W A T E R H E A T E R S

Ambler, PA

For U.S. and Canada field service,
contact your professional installer or
local Bradford White sales representative.

Sales/800-523-2931
Fax/215-641-1670
Parts Fax/215-641-2180

Technical Support/800-334-3393
Fax/269-795-1089

Warranty/800-531-2111
Fax/269-795-1089

International:
Telephone/215-641-9400
Telefax/215-641-9750



BRADFORD WHITE-CANADA[®] INC.

Mississauga, ON

Sales/866-690-0961
905-238-0100

Fax/905-238-0105

Technical Support/800-334-3393

Email

parts@bradfordwhite.com
techserv@bradfordwhite.com

www.bradfordwhite.com