



BRADFORD WHITE[®]
W A T E R H E A T E R S

**COMMERCIAL ELECTRIC ENERGY SAVER
REPLACEMENT PARTS LIST
MII Contactor Series
MII Surface Series**

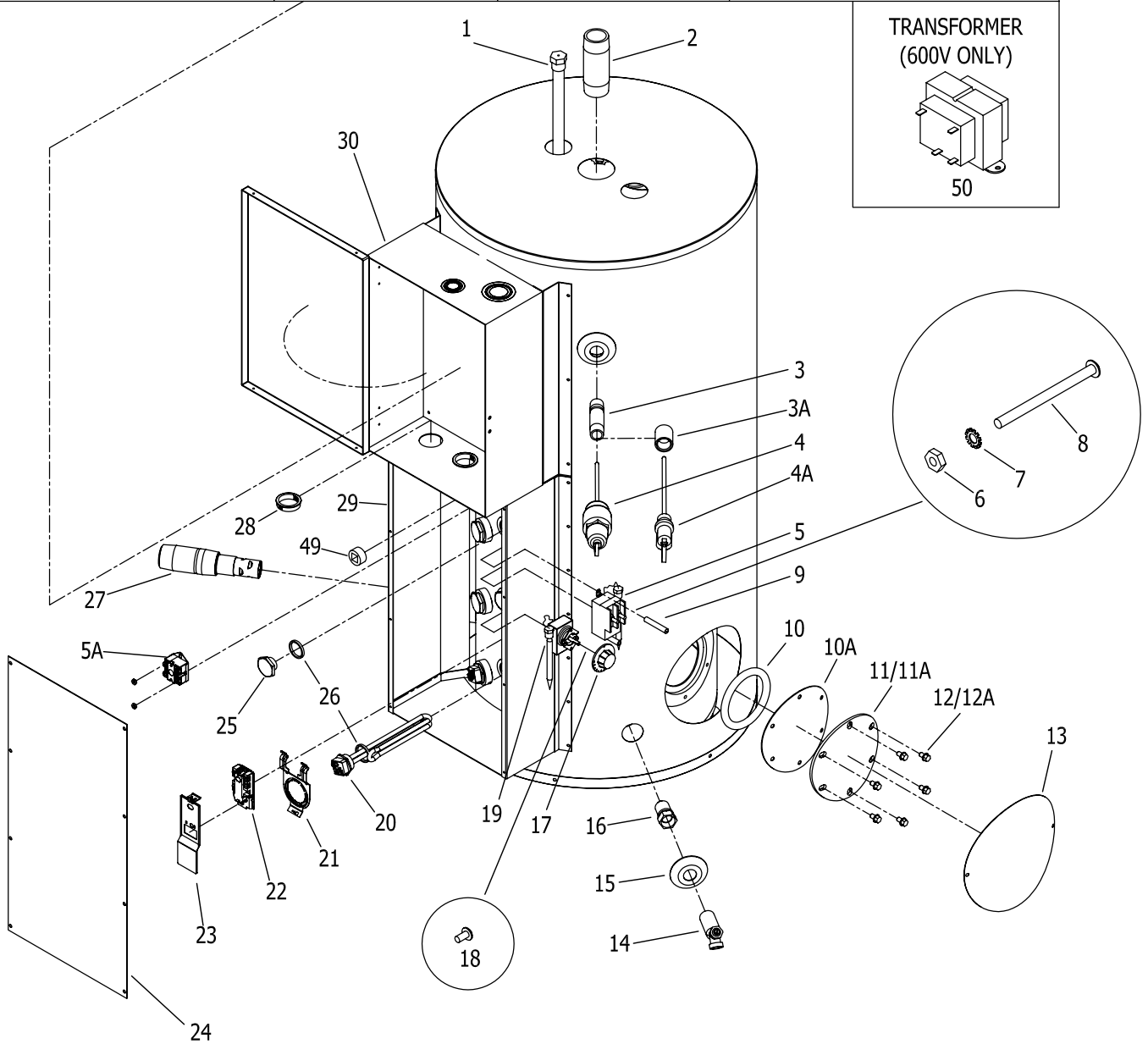
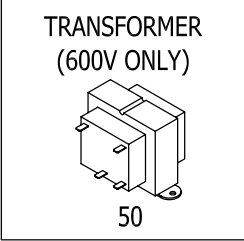
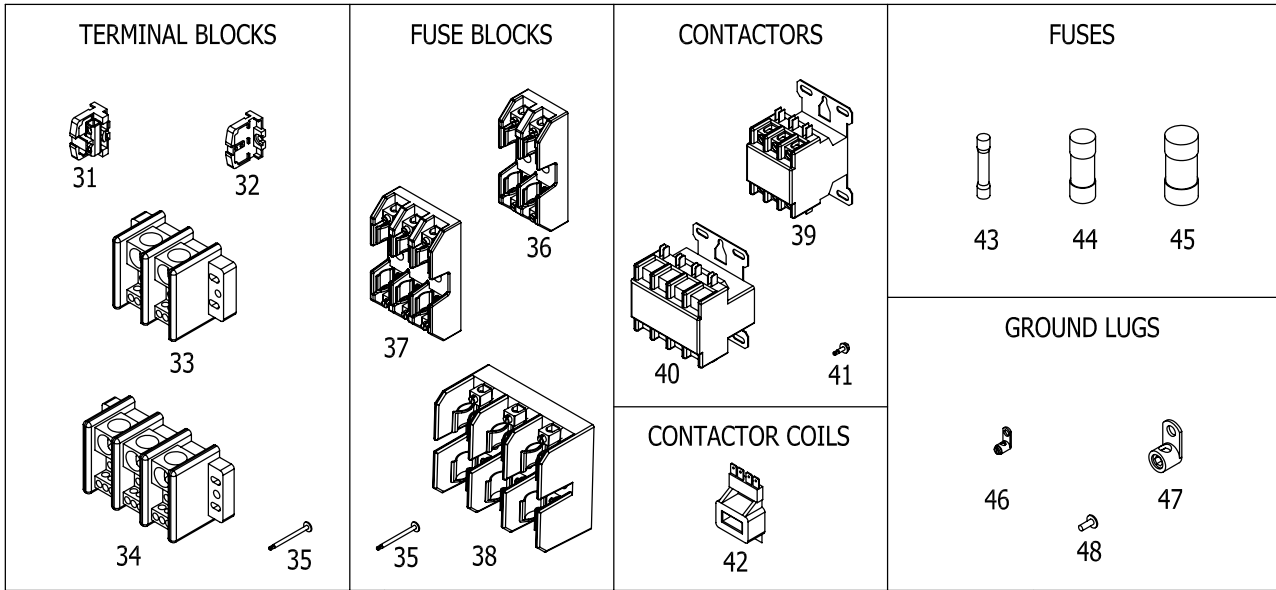


Includes Hydrojet[®]
Total Performance System

Effective: April 1, 2008

**NOTE: BOTH MODEL AND SERIAL
NUMBERS ARE REQUIRED FOR
ORDERING REPLACEMENT PARTS**

Dimensions and specifications
subject to change without notice.



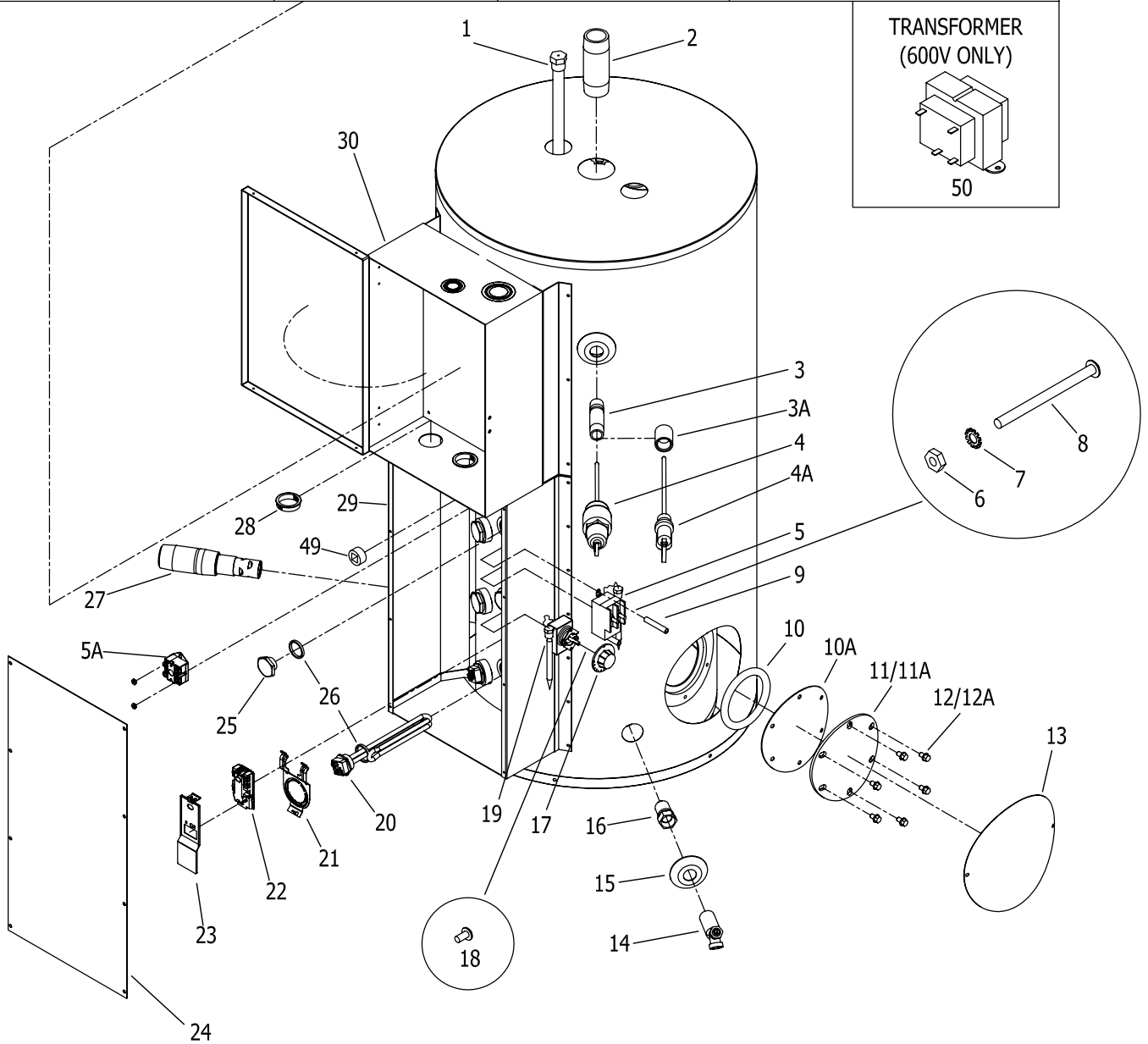
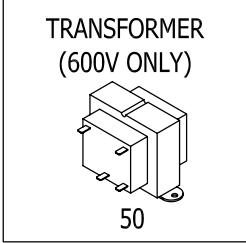
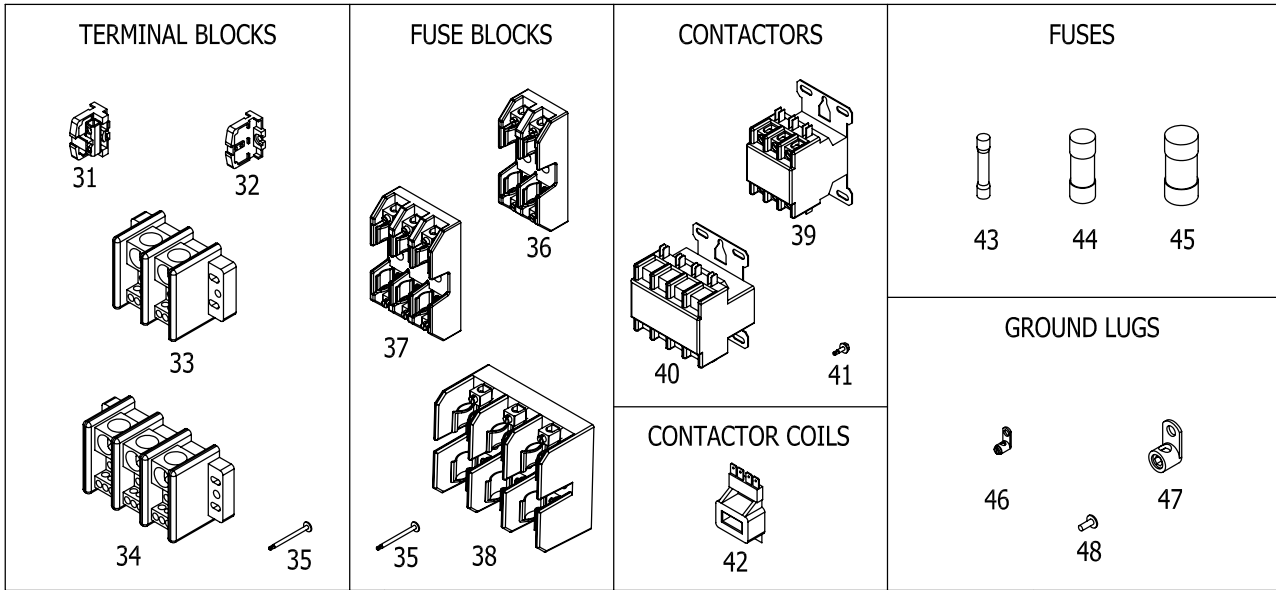
Item	Description	Model	Model	Model
		MII50(A)	MII80(A)	MII120(A)
1	Magnesium Anode Rod	224-32758-15 (Qty. 2)	224-32758-14 (Qty. 2)	224-32758-14 (Qty. 2)
	Aluminum Anode Rod	224-38508-03 (Qty. 2)	224-38508-07 (Qty. 2)	224-38508-07 (Qty. 2)
2	Nipple-Plastisert 1 1/2 X 5	229-40913-06	229-40913-06	229-40913-06
3	Nipple-Plastisert 3/4 X 4	229-32762-09	229-32762-09	229-32762-09
3A	Coupling-3/4 X 1-5/8	239-46679-00	239-46679-00	239-46679-00
4	T&P Relief Valve 30 Kw & Above (Female Threads)	230-30246-00	230-30246-00	230-30246-00
4A	T&P Relief Valve Thru 27Kw (Male Threads)	230-32920-04	230-32920-04	230-32920-04
5	High Limit Switch**	264-33461-00	264-33461-00	264-33461-00
5A	High Limit Switch ▲	219-47205-00	219-47205-00	219-47205-00
6	Hex Nut-#10-32**	239-34049-00	239-34049-00	239-34049-00
7	External Tooth Washer #10**	239-81540-00	239-81540-00	239-81540-00
8	Screw-#10-32 X 2 1/2**	239-34048-00	239-34048-00	239-34048-00
9	High Limit Spacer	264-34190-00 (Qty. 2)	264-34190-00 (Qty. 2)	264-34190-00 (Qty. 2)
10	Cleanout Gasket (O-Ring)	205-18427-00	205-18427-00	205-18427-00
10A	Cleanout Gasket (ASME)	205-32942-00	205-32942-00	205-32942-00
11	Cleanout Cover	205-18428-00	205-18428-00	205-18428-00
11A	Cleanout Cover (ASME)	205-32941-00	205-32941-00	205-32941-00
12	Cleanout Screw-5/16-18 X 1/2	239-82166-00 (Qty. 6)	239-82166-00 (Qty. 6)	239-82166-00 (Qty. 6)
12A	Cleanout Screw (ASME)-5/16-18 X 3/4	239-32970-00 (Qty. 6)	239-32970-00 (Qty. 6)	239-32970-00 (Qty. 6)
13	Jacket Cleanout Cover	243-20299-00	243-20299-00	243-20299-00
14	Brass Drain Valve	265-42351-02	265-42351-02	265-42351-02
15	Finished Flange-2 7/8 O.D.	239-41414-00	239-41414-00	239-41414-00
16	Extender-3/4 X 2	229-19100-00	229-19100-00	229-19100-00
17	Thermostat Dial**	264-33459-00	264-33459-00	264-33459-00
18	Screw-#6-32 X 1/4**	264-81722-00 (Qty. 2)	264-81722-00 (Qty. 2)	264-81722-00 (Qty. 2)
19	Immersion Thermostat**	264-33460-00	264-33460-00	264-33460-00
20	Heating Element	See Element Table	See Element Table	See Element Table
21	Surface Thermostat Bracket*	239-44479-00	239-44479-00	239-44479-00
22	Surface Thermostat*	219-41375-00	219-41375-00	219-41375-00
	Surface Thermostat (Low Temp)*	219-82155-00	219-82155-00	219-82155-00
	Surface Thermostat (59T) ▲	219-47185-00	219-47185-00	219-47185-00
23	Surface Thermostat Cover*	223-40399-00	223-40399-00	223-40399-00
24	Lower Box Cover	239-82134-01	239-82134-01	239-82134-01
25	Heating Element Plug	223-34020-00	223-34020-00	223-34020-00
26	Heating Element Gasket	223-34019-00	223-34019-00	223-34019-00
27	Cold Water Inlet Nipple	229-44731-00	229-44731-00	229-44731-00
28	Plastic Snap Bushing	239-31428-00 (Qty. 3)	239-31428-00 (Qty. 3)	239-31428-00 (Qty. 3)
29	Lower Box	239-82129-01	239-82129-01	239-82129-01
30	Upper Box (Small)	239-44437-01	239-44437-01	239-44437-01
	Upper Box (Large)	239-44438-00	239-44438-00	239-44438-00
31	Terminal Block (Block A)	264-32240-00	264-32240-00	264-32240-00
32	Terminal Block End (Use for Block A)	264-32241-00	264-32241-00	264-32241-00
33	Terminal Block 2 Pole (310A)	264-32244-00	264-32244-00	264-32244-00
	Terminal Block 2 Pole (420A)	264-46706-00	264-46706-00	264-46706-00
34	Terminal Block 3 Pole (310A)	264-32245-00	264-32245-00	264-32245-00
35	Screw-#8-18 X 1 1/2	264-34197-00	264-34197-00	264-34197-00
36	Fuse Block 2 Pole G Class (60A, 480V)	264-32263-00	264-32263-00	264-32263-00
	Fuse Block 2 Pole T Class (30A, 600V) ▲▲	264-41974-01	264-41974-01	264-41974-01
37	Fuse Block 3 Pole G Class (60A, 480V)	264-32264-00	264-32264-00	264-32264-00
38	Fuse Block 3 Pole J Class (30A, 600V)	264-32265-00	264-32265-00	264-32265-00
	Fuse Block 3 Pole J Class (60A, 600V)	264-32266-00	264-32266-00	264-32266-00
	Fuse Block 3 Pole T Class (30A, 600V) ▲▲	264-42568-00	264-42568-00	264-42568-00
39	Contactors 3 Pole (35A)	264-32235-00	264-32235-00	264-32235-00
	Contactors 3 Pole (35A) ▲▲	264-41988-01	264-41988-01	264-41988-01
	Contactors 3 Pole (50A)	264-32237-00	264-32237-00	264-32237-00
40	Contactors 4 Pole (35A)	264-32236-00	264-32236-00	264-32236-00
	Contactors 4 Pole (50A)	264-32238-00	264-32238-00	264-32238-00
41	Screw-#8-18 X 1/2	239-32761-00	239-32761-00	239-32761-00
42	Contactors Coil (480V)	264-32239-00	264-32239-00	264-32239-00
	Contactors Coil (277V)	264-33428-00	264-33428-00	264-33428-00

* Used on Surface Mounted Thermostat Models Only (example: MII120123SF16)

** Used on Immersion Thermostat Models Only (example: MII120123CF16)

▲ Used on 600V Contactors with Surface Mounted Thermostat Models Only. (example: MII120123SCFDL123-866)

▲▲ Used on 600V Models Only



Item	Description	Model	Model	Model
		MII50(A)	MII80(A)	MII120(A)
43	Fuse G Class (40A)	264-32267-00	264-32267-00	264-32267-00
	Fuse G Class (50A)	264-32268-00	264-32268-00	264-32268-00
	Fuse G Class (60A)	264-32269-00	264-32269-00	264-32269-00
44	Fuse J Class (30A)	264-32270-00	264-32270-00	264-32270-00
45	Fuse J Class (40A)	264-32271-00	264-32271-00	264-32271-00
	Fuse J Class (50A)	264-32272-00	264-32272-00	264-32272-00
	Fuse T Class (1A) ▲▲	264-41976-04	264-41976-04	264-41976-04
	Fuse T Class (30A) ▲▲	264-41976-01	264-41976-01	264-41976-01
46	Ground Lug (Small-Wire Range 14-8)	264-32251-00	264-32251-00	264-32251-00
47	Ground Lug (Large-Wire Range 8-1/0)	264-32250-00	264-32250-00	264-32250-00
48	Screw-#10-32 X 1/2	239-33938-00	239-33938-00	239-33938-00
49	3/4 NPT Plug (Square Socket)*	239-11638-00	239-11638-00	239-11638-00
50	Transformer 120V ▲▲	264-41996-00	264-41996-00	264-41996-00

* Used on Surface Mounted Thermostat Models Only (example: MII120123SF16)

** Used on Immersion Thermostat Models Only (example: MII120123CF16)

▲ Used on 600V Contactors with Surface Mounted Thermostat Models Only. (example: MII120123SCFDL123-866)

▲▲ Used on 600V Models Only

Heating Elements (Copper)

Wattage	208 Volt	240 Volt	277 Volt	380 Volt	415 Volt	480 Volt
2000W	220-42544-04	220-42544-03	220-42546-09	220-42548-04	220-42550-10	220-42552-09
3000W	220-42544-14	220-42544-15	220-42546-04	220-42550-09	220-42550-11	220-42552-04
4000W	220-42544-11	220-42544-14	220-42546-05	220-42550-03	220-42550-07	220-42552-05
4500W	220-42544-12	220-42544-08	220-42546-06	220-42550-04	220-42550-02	220-42552-06
5000W	220-42542-02	220-42544-10	220-42546-07	220-42550-05	220-42550-03	220-42552-07
6000W	220-42542-04	220-42544-12	220-42546-08	220-42548-02	220-42550-05	220-42552-08

Heating Elements (Incoloy)

Wattage	208 Volt	240 Volt	277 Volt	380 Volt	415 Volt	480 Volt	600 Volt
2000W	220-42545-14	220-42545-02	220-42547-07	220-42549-04	220-42551-12	220-42553-01	220-44340-01
3000W	220-42545-12	220-42545-15	220-42547-08	220-42551-10	220-42551-13	220-42553-08	220-44340-02
4000W	220-42545-09	220-42545-12	220-42547-03	220-42551-07	220-42551-05	220-42553-03	220-44340-03
4500W	220-42545-10	220-42545-07	220-42547-04	220-42551-08	220-42551-06	220-42553-04	220-44340-04
5000W	220-42543-01	220-42545-08	220-42547-09	220-42551-09	220-42551-07	220-42553-05	220-44340-05
6000W	220-42543-03	220-42545-10	220-42547-06	220-42549-02	220-42551-09	220-42553-07	220-44340-06

NOTES



BRADFORD WHITE®

W A T E R H E A T E R S

Ambler, PA

For U.S. and Canada field service,
contact your professional installer or
local Bradford White sales representative.

Sales/800-523-2931
Fax/215-641-1670
Parts Fax/215-641-2180

Technical Support/800-334-3393
Fax/269-795-1089

Warranty/800-531-2111
Fax/269-795-1089

International:
Telephone/215-641-9400
Telefax/215-641-9750



BRADFORD WHITE-CANADA® INC.

Mississauga, ON

Sales/866-690-0961
905-238-0100

Fax/905-238-0105

Technical Support/800-334-3393

Email

parts@bradfordwhite.com
techserv@bradfordwhite.com

www.bradfordwhite.com