



BRADFORD WHITE[®]
W A T E R H E A T E R S

**RESIDENTIAL GAS REPLACEMENT PARTS LIST
URGPV & ULGPV ECO MODELS**

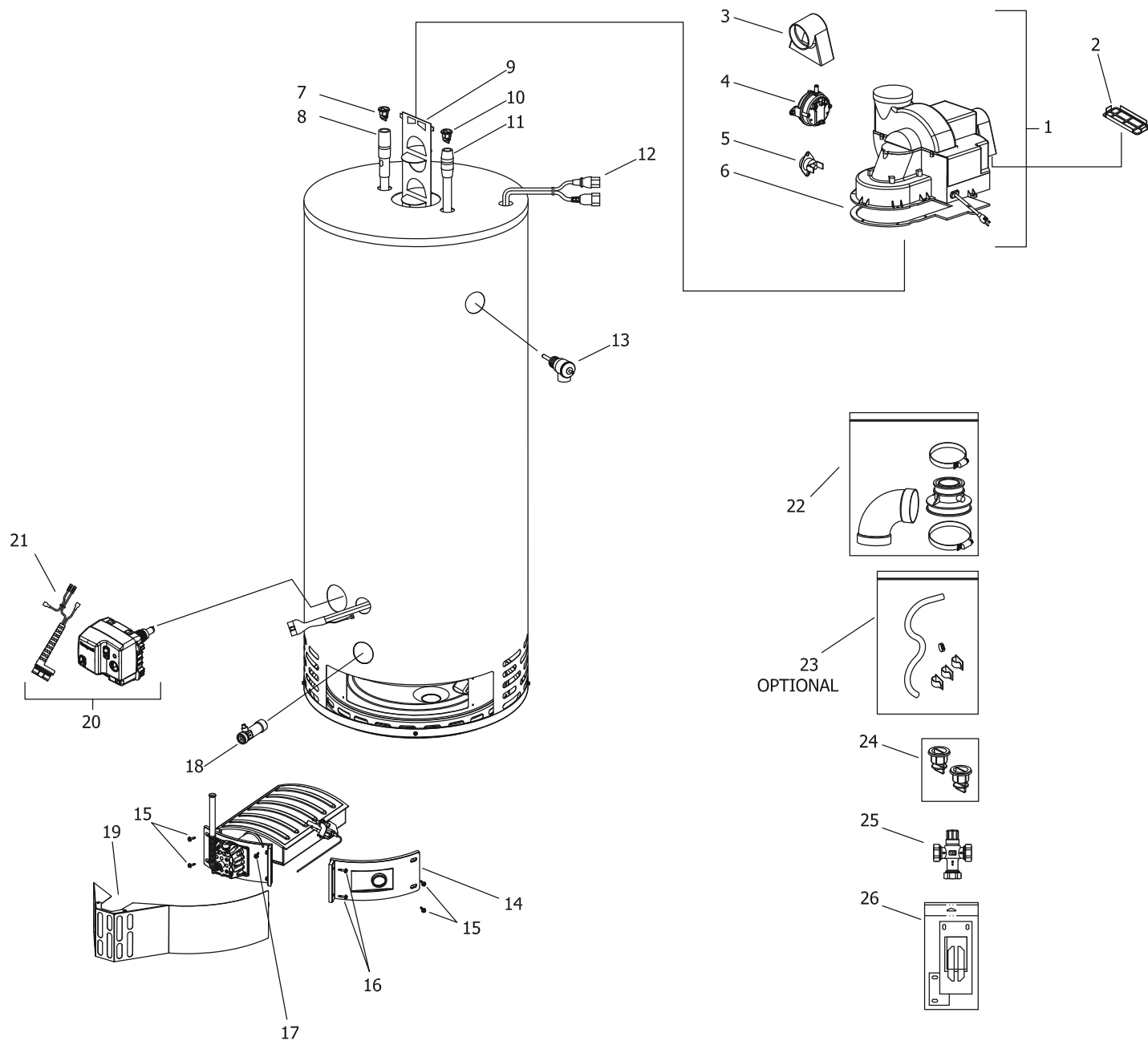


Includes Hydrojet[®]
Total Performance System

***Effective: May, 2015
ECO 7950***

**NOTE: BOTH MODEL AND SERIAL
NUMBERS ARE REQUIRED FOR
ORDERING REPLACEMENT PARTS**

Dimensions and specifications
subject to change without notice.



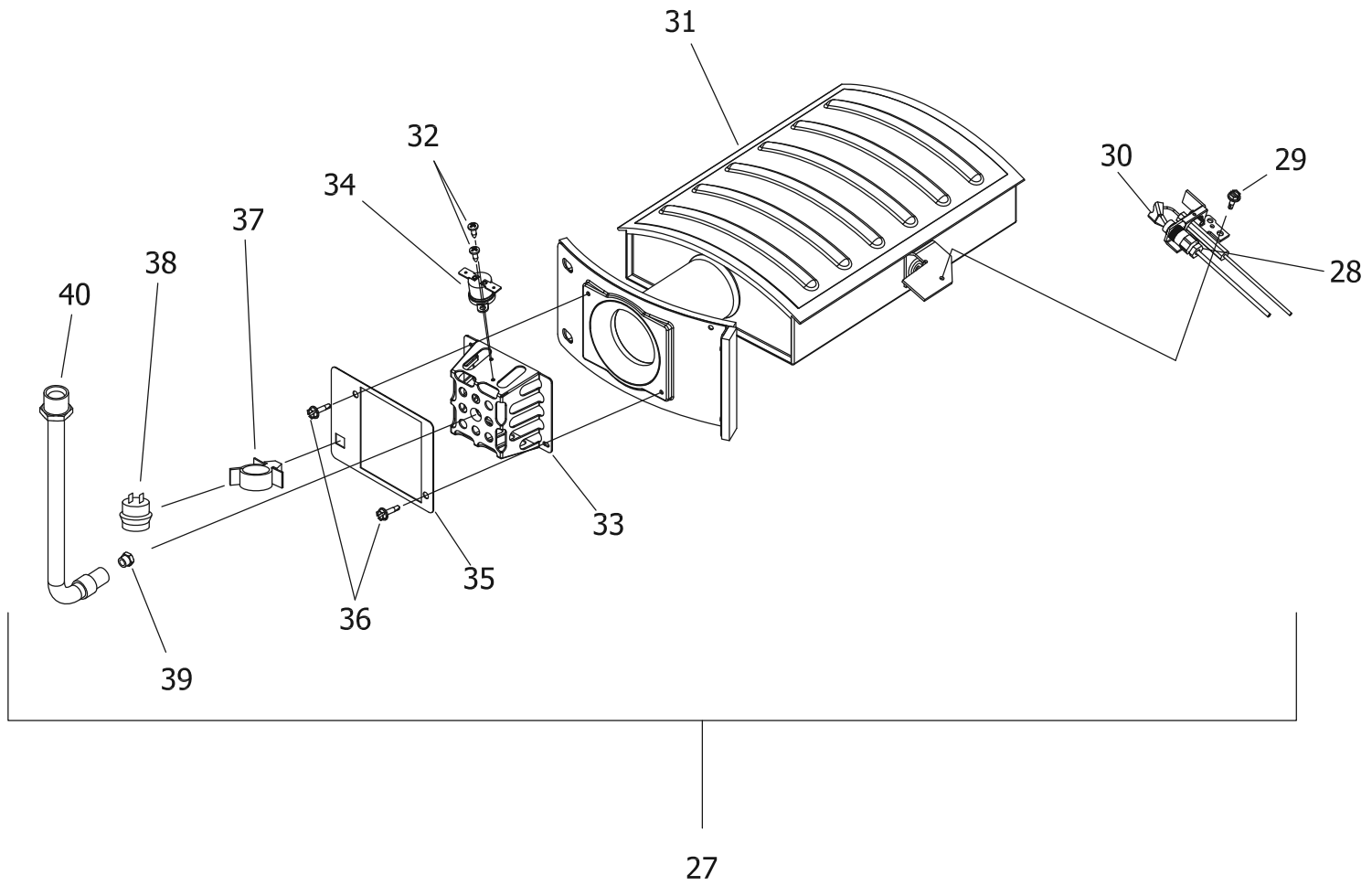
Item Description	Model	Model	Model	Model
	URG1PV40S*N	URG1PV50S*N	URG2PV40T*N	URG2PV50T*N
1 Blower Complete 0 Ft. to 2,000 Ft. (Normal Altitude)	265-45584-00	265-45584-00	239-48685-00	239-48685-00
Blower Complete 0 Ft. to 7,001 Ft. (High Altitude)	265-45987-00	265-45987-00	243-48686-00	243-48686-00
2 Dilution Air Clip	239-48176-00	239-48176-00	239-48176-00	239-48176-00
3 Air Mixing Inlet	239-45868-00	239-45868-00	239-45868-00	239-45868-00
4 Pressure Switch 0 Ft. to 2,000 Ft. (Normal Altitude)	239-45867-01	239-45867-01	239-47815-04	239-47815-03
Pressure Switch 0 Ft. to 7,000 Ft. (High Altitude)	239-45867-03	239-45867-03	239-47815-04	239-47815-04
5 Blower Temperature Switch	239-48752-00	239-48752-00	239-48752-00	239-48752-00
6 Blower Gasket	239-45866-00	239-45866-00	239-45866-00	239-45866-00
7 Heat Trap Insert (Outlet)	239-45167-00	239-45167-00	239-45167-00	239-45167-00
8 Hot Water Outlet Anode (Magnesium)▲ #	224-47776-19	224-47776-19	224-47776-19	224-47776-19
Hot Water Outlet Anode (Aluminum)▲#	224-32999-42	224-32999-42	224-32999-42	224-32999-42
Hot Water Outlet Anode (A420 Aluminum)▲ #	224-49560-08	224-49560-08	224-49560-10	224-49560-10
9 Flue Baffle	243-45372-00	243-45372-00	243-48689-00	239-45373-00
10 Heat Trap Insert (Inlet)	239-51556-00	239-51556-00	239-45167-00	239-45167-00
11 Cold Water Inlet Dip Tube (PEX)▲▲	229-51230-25	229-51230-25	---	---
Cold Water Inlet Dip Tube (Polysulfone)▲▲	---	---	229-45092-06	229-45092-06
12 Blower Harness	239-45617-02	239-45617-02	239-45617-02	239-45617-02
13 T&P Relief Valve	230-40594-02	230-40594-02	230-40594-02	230-40594-02
14 Right Side Inner Door Complete	239-48216-20	239-48216-20	239-48216-18	239-48216-18
15 Screw-#10-12 x 3/4 HWH	239-44113-00	239-44113-00	239-44113-00	239-44113-00
16 Screw #8-18 x 3/4 HWH SLOT	239-44195-00	239-44195-00	239-44195-00	239-44195-00
17 Screw #8 X 3/4 HEX HD	239-81253-00	239-81253-00	239-81253-00	239-81253-00
18 Brass Drain Valve	265-42351-02	265-42351-02	265-42351-02	265-42351-02
19 Outer Door	239-46209-00	239-46209-00	239-46209-00	239-46209-00
20 Gas Valve Direct Replacement (Natural Gas)	239-49823-01	239-49823-01	239-49823-02	239-49823-02
21 Flammable Vapor Sensor Harness	239-50066-00	239-50066-00	239-50066-00	239-50066-00
22 2" Exhaust Adaptor w/Vent Terminal	239-46263-00	239-46263-00	239-46263-00	239-46263-00
23 Condensate Hose Kit (Optional)	239-45875-00	239-45875-00	239-45875-00	239-45875-00
24 Kit-Heat Trap Insert	239-51572-00	239-51572-00	265-45420-00	265-45420-00
25 ASSE Approved Mixing Valve (Optional)	239-43740-01	239-43740-01	239-43740-01	239-43740-01
26 Inner Door Gasket Kit (Ultra Low NOx)	239-47062-00	239-47062-00	239-47062-00	239-47062-00

* Applies to all warranties

Anode may need to be cut to length

▲ Order with item 7

▲▲ Order with item 10

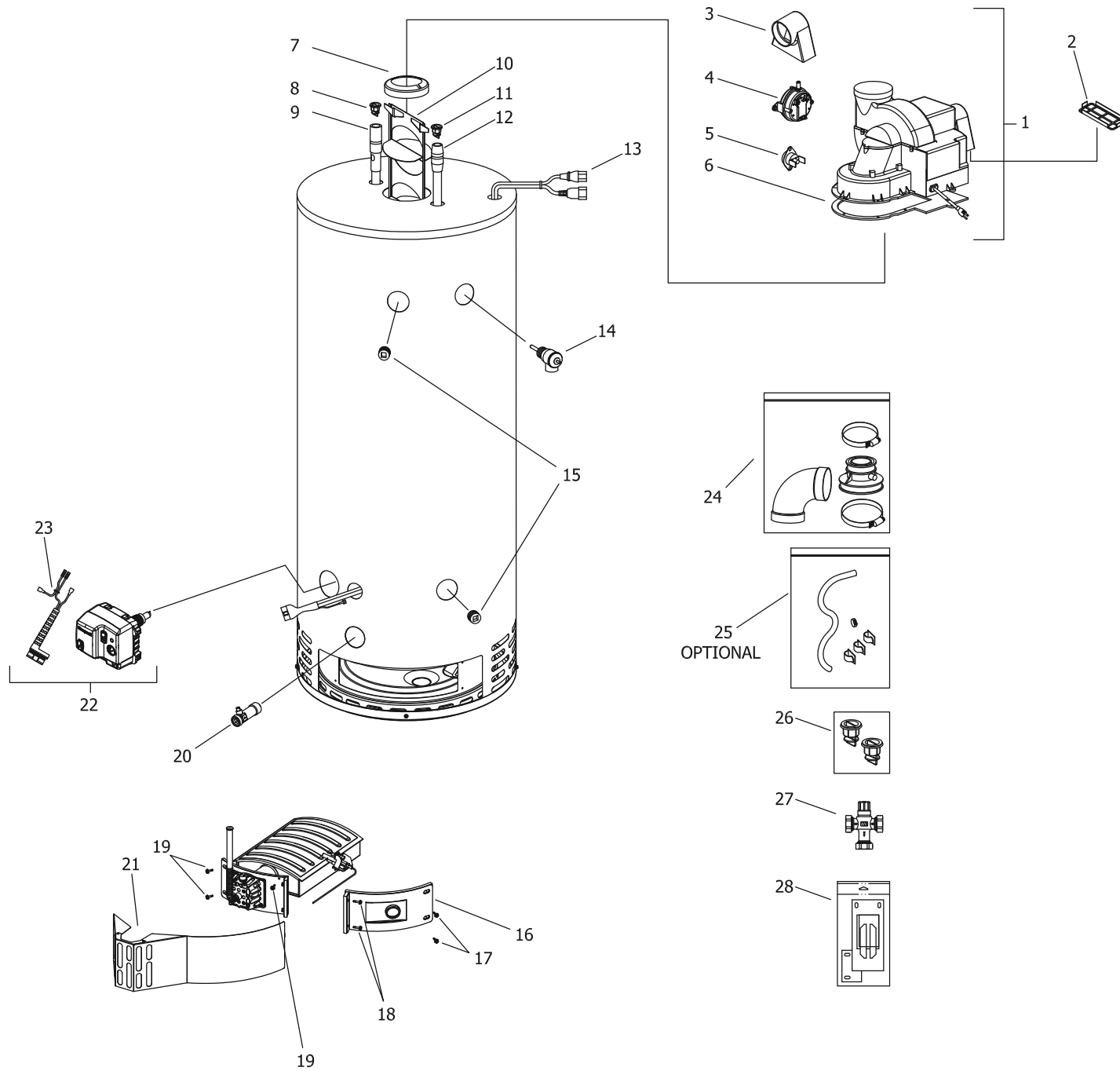


Item Description	Model	Model	Model	Model
	URG1PV40S*N	URG1PV50S*N	URG2PV40T*N	URG2PV50T*N
26 Natural Gas (N) Main Burner Assembly ***	265-48329-01-37	265-48329-02-37	265-48329-05-37	265-48329-04-37
27 Pilot Orifice**	234-45869-01	234-45869-01	234-45869-01	234-45869-01
28 Screw #8-18 x 1/2 HWH	239-37261-00	239-37261-00	239-37261-00	239-37261-00
29 Pilot Assembly**	233-48175-04	233-48175-04	233-48175-04	233-48175-04
30 Burner**	228-48383-18	228-48383-18	228-48383-16	228-48383-18
31 Screw #6-20 x 3/8 PHCR	239-43967-00	239-43967-00	239-43967-00	239-43967-00
32 Manifold Mount	239-46201-00	239-46201-00	239-46201-00	239-46201-00
33 Thermal Switch	239-43676-03	239-43676-03	239-43676-03	239-43676-03
34 FVIR Sensor Plate	239-48341-00	239-48341-00	239-48341-00	239-48341-00
35 Screw #8-18 x 3/4 HWH SLOT	239-44195-00	239-44195-00	239-44195-00	239-44195-00
36 Flammable Vapor Sensor Clip	239-45648-00	239-45648-00	239-45648-00	239-45648-00
37 Flammable Vapor Sensor	239-45560-00	239-45560-00	239-45560-00	239-45560-00
38 Nat. Gas (N) Main Burner Orifice 0 Ft. to 2,000 Ft. **	234-18194-37	234-18194-37	234-18194-37	234-18194-37
Nat. Gas (N) High Altitude Orifice 0 ft. to 7,000 Ft. (-475 model suffixes) **	234-18194-42	234-18194-42	234-18194-42	234-18194-42
Nat. Gas (N) High Altitude Orifice Kit 7,001 Ft. to 10,000 Ft.	265-51320-02-43	265-51320-02-43	265-51320-04-43	265-51320-04-43
39 Flexible Gas Feedline	233-46930-01	233-46930-01	233-46930-01	233-46930-01

*Applies to all warranties

**Inner door gasket kit recommended

***Ordering a complete burner assembly may increase delivery time. Please order the specific component required for the quickest delivery.



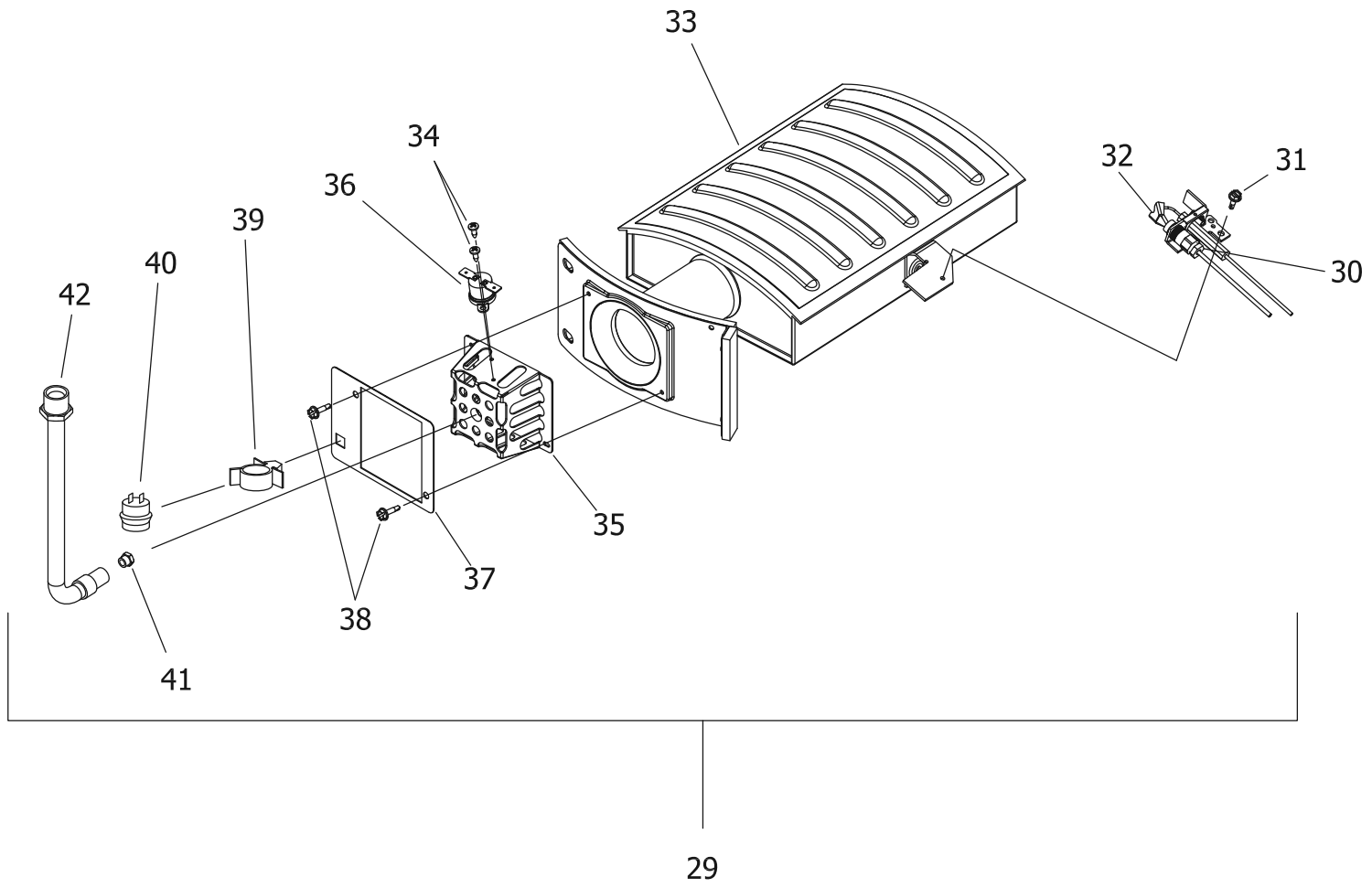
Item Description	Model	Model
	URG2PV50H*N	ULG2PV50H56*N
1 Blower Complete 0 Ft. to 2,000 Ft. (Normal Altitude)	243-48861-00	265-48861-00
Blower Complete 0 Ft. to 7,001 Ft. (High Altitude)	243-49227-00	243-49227-00
2 Dilution Air Clip	239-48176-00	239-48176-00
3 Air Mixing Inlet	239-45868-00	239-45868-00
4 Pressure Switch 0 Ft. to 2,000 Ft. (Normal Altitude)	239-47815-01	239-47815-01
Pressure Switch 0 Ft. to 7,000 Ft. (High Altitude)	239-45867-02	239-45867-02
5 Blower Temperature Switch	239-48752-00	239-48752-00
6 Blower Gasket	239-45866-00	239-45866-00
7 Flue Reducer	239-48802-00	239-48802-00
8 Heat Trap Insert (Outlet)	239-45167-00	239-45167-00
9 Hot Water Outlet Anode (Magnesium)▲ #	224-47776-19	224-47776-19
Hot Water Outlet Anode (Aluminum)▲#	224-32999-42	224-32999-42
Hot Water Outlet Anode (A420 Aluminum)▲ #	224-49560-10	224-49560-10
10 Flue Baffle	239-45373-00	239-45373-00
11 Heat Trap Insert (Inlet)	239-51556-00	239-45167-00
12 Cold Water Inlet Dip Tube (PEX)▲▲	229-51230-20	---
Cold Water Inlet Dip Tube (Polysulfone)▲▲	---	229-45092-08
13 Blower Harness	239-45617-02	239-45617-02
14 T&P Relief Valve	230-40594-02	230-40594-02
15 3/4" NPT Pipe Plug	239-11638-00	239-11638-00
16 Right Side Inner Door Complete	239-48216-18	239-48216-18
17 Screw-#10-12 x 3/4 HWH	239-44113-00	239-44113-00
18 Screw #8-18 x 3/4 HWH SLOT	239-44195-00	239-44195-00
19 Screw #8 X 3/4 HEX HD	239-81253-00	239-81253-00
20 Brass Drain Valve	265-42351-02	265-42351-02
21 Outer Door	239-46209-00	239-46209-00
22 Gas Valve Natural Gas	239-49823-02	239-49823-04
23 Flammable Vapor Sensor Harness	239-50066-00	239-50066-00
24 3" Exhaust Adaptor w/Vent Terminal	239-46264-00	239-46264-00
25 Condensate Hose Kit (Optional)	239-45875-00	239-45875-00
26 Kit-Heat Trap Insert	265-51572-00	265-45420-00
27 ASSE Approved Mixing Valve (Optional)	239-43740-01	239-43740-01
28 Kit-Inner Door Gasket (Ultra Low NOx)	239-47062-00	239-47062-00

*Applies to all warranties

Anode may need to be cut to length

▲ Order with item 8

▲▲ Order with item 11

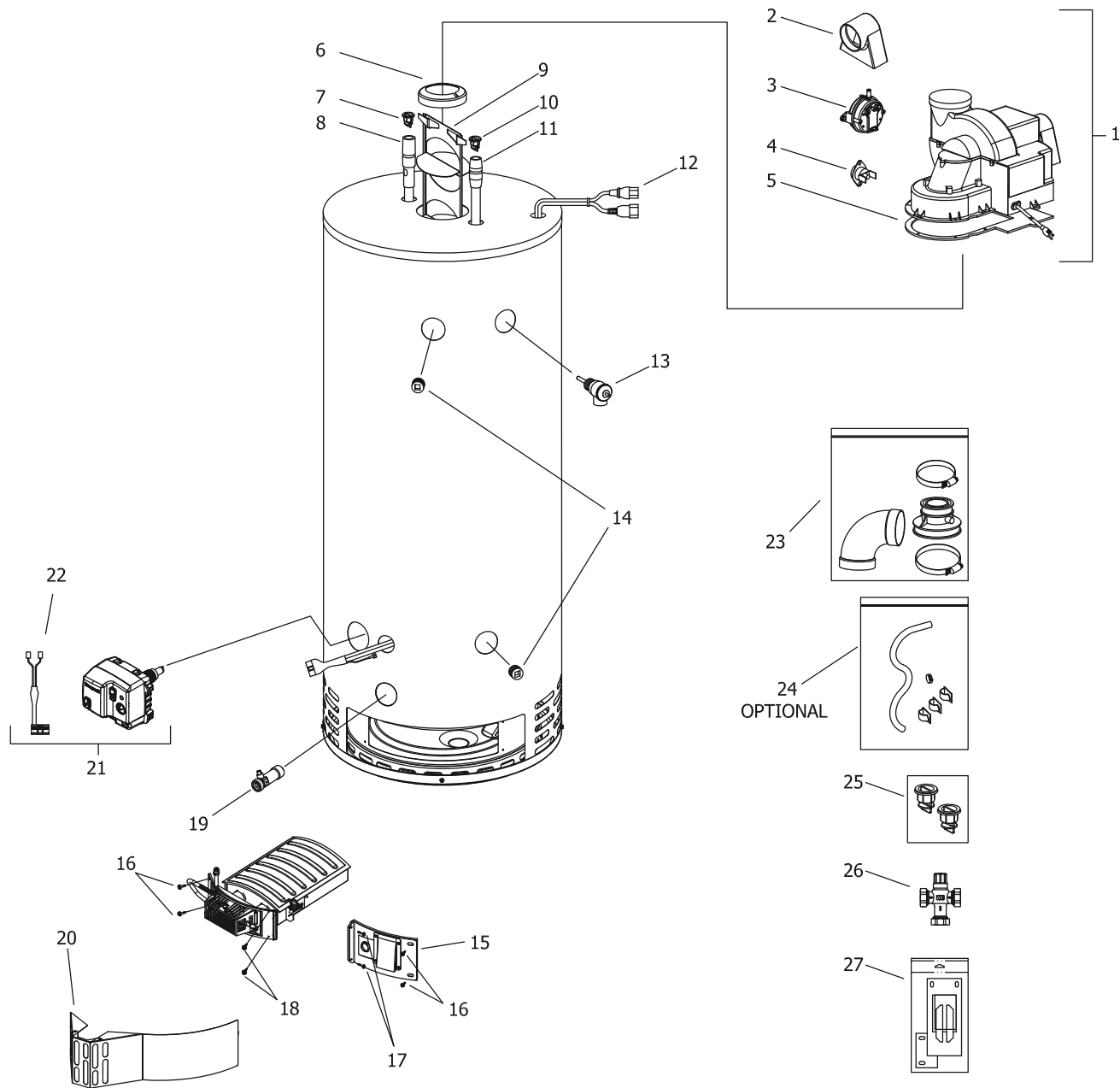


Item Description	Model	Model
	URG2PV50H*N	ULG2PV50H56*N
29 Burner Assembly ***	265-48329-03-32	265-48329-03-32
30 Pilot Orifice**	234-45869-01	234-45869-01
31 Screw #8-18 x 1/2 HWH	239-37261-00	239-37261-00
32 Pilot Assembly**	233-48175-04	233-48175-03
33 Burner**	228-48383-19	228-48383-19
34 Screw #6-20 x 3/8 PHCR	239-43967-00	239-43967-00
35 Manifold Mount	239-46201-00	239-46201-00
36 Thermal Switch	239-43676-03	239-43676-03
37 FVIR Sensor Plate	239-48341-00	239-48341-00
38 Screw #8-18 x 3/4 HWH	239-44195-00	239-44195-00
39 Flammable Vapor Sensor Clip	239-45648-00	239-45648-00
40 Flammable Vapor Sensor	239-45560-00	233-45560-00
41 Nat. Gas (N) Main Burner Orifice 0 Ft. to 2,000 Ft. **	234-18194-32	234-18194-32
Nat. Gas (N) High Altitude Orifice 0 ft. to 7,000 Ft. (-475 model suffixes) **	234-18194-36	234-18194-36
Nat. Gas (N) High Altitude Orifice Kit 7,001 Ft. to 10,000 Ft.	265-51320-02-40	265-51320-02-40
42 Flexible Gas Feedline	233-46930-01	233-46930-01

*Applies to all warranties

**Inner door gasket kit recommended

***Ordering a complete burner assembly may increase delivery time. Please order the specific component required for the quickest delivery.



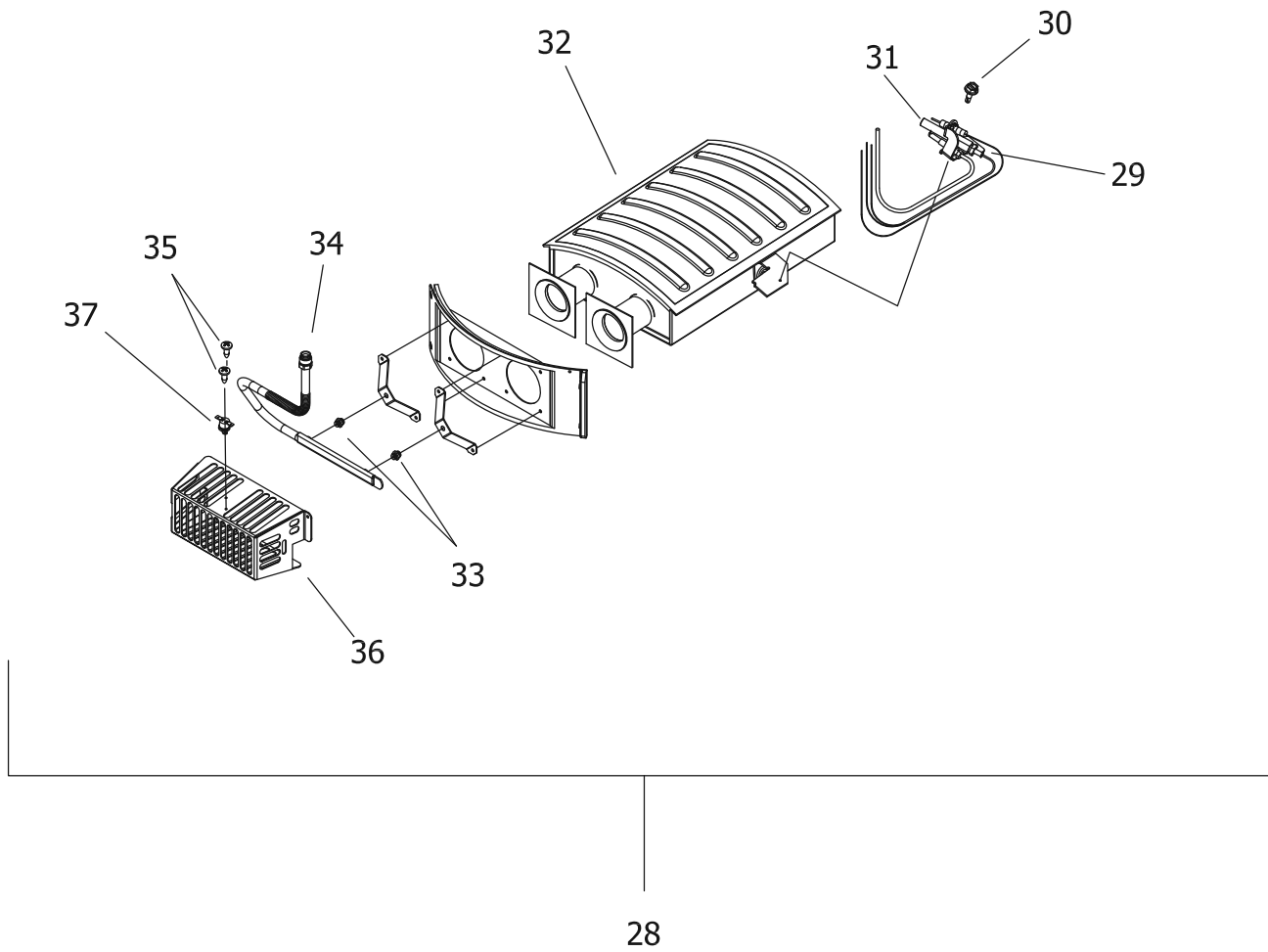
Item Description	Model	Model
	URG2PV75H*N	ULG2PV75H76*N
1 Blower Complete 0 Ft. to 2,000 Ft. (Normal Altitude)	265-45583-00	265-45583-00
Blower Complete 0 Ft. to 7,001 Ft. (High Altitude)	239-45986-00	239-45986-00
2 Air Mixing Inlet	239-45868-00	239-45868-00
3 Pressure Switch 0 Ft. to 2,000 Ft. (Normal Altitude)	239-45867-02	239-45867-02
Pressure Switch 0 Ft. to 7,000 Ft. (High Altitude)	239-45867-04	239-45867-04
4 Blower Temperature Switch	239-48752-00	239-48752-00
5 Blower Gasket	239-45866-00	239-45866-00
6 Flue Reducer	243-42572-00	243-42572-00
7 Heat Trap Insert (Outlet)	239-45167-00	239-45167-00
8 Hot Water Outlet Anode (Magnesium)▲ #	224-47776-19	224-47776-19
Hot Water Outlet Anode (Aluminum)▲#	224-32999-42	224-32999-42
Hot Water Outlet Anode (A420 Aluminum)▲ #	224-49560-10	224-49560-10
9 Flue Baffle	239-45373-00	239-45373-00
10 Heat Trap Insert (Inlet)	239-51556-00	239-51556-00
11 Cold Water Inlet Dip Tube (PEX)▲▲	229-51230-20	229-51230-29
12 Blower Harness	239-45617-02	239-45617-02
13 T&P Relief Valve	230-40594-02	230-40594-02
14 3/4" NPT Pipe Plug	239-11638-00	239-11638-00
15 Right Side Inner Door Complete	239-49804-22	239-49804-22
16 Screw-#10-12 x 3/4 HWH	239-44113-00	239-44113-00
17 Screw #8-18 x 3/4 HWH SLOT	239-44195-00	239-44195-00
18 Screw #8 X 3/4 HEX HD	239-81253-00	239-81253-00
19 Brass Drain Valve	265-42351-02	265-42351-02
20 Outer Door	239-49092-00	239-49092-00
21 Gas Valve Natural Gas	239-49823-02	239-49823-04
22 Simulated Resistive Device Harness with Leads	239-50408-00	239-50408-00
23 3" Exhaust Adaptor w/Vent Terminal	239-46264-00	239-46264-00
24 Condensate Hose Kit (Optional)	239-45875-00	239-45875-00
25 Kit-Heat Trap Insert	265-51572-00	265-51572-00
26 ASSE Approved Mixing Valve (Optional)	239-43740-01	239-43740-01
27 Kit-Inner Door Gasket (Ultra Low NOx)	239-49987-00	239-49987-00

*Applies to all warranties

Anode may need to be cut to length

▲ Order with item 7

▲▲ Order with item 10



Item Description	Model	Model
	URG2PV75H*N	ULG2PV75H76*N
28 Burner Assembly ***	265-49930-01-37	265-49930-01-37
29 Pilot Orifice**	234-45869-01	234-45869-01
30 Screw #8-18 x 1/2 HWH	239-37261-00	239-37261-00
31 Pilot Assembly**	233-50195-01	233-50195-01
32 Burner**	228-50193-22	228-50193-22
33 Nat. Gas (N) Main Burner Orifice 0 Ft. to 2,000 Ft. **	234-41034-37	234-41034-37
Nat. Gas (N) High Altitude Orifice 0 ft. to 7,000 Ft. (-475 model suffixes) **	234-41034-42	234-41034-42
Nat. Gas (N) High Altitude Orifice Kit 7,001 Ft. to 10,000 Ft.	265-51315-03-43	265-51315-03-43
34 Flexible Gas Feedline	233-49091-00	233-49091-00
35 Screw #8-18 x 3/4 HWH	239-43967-00	239-43967-00
36 Manifold Cover	239-49832-00	239-49832-00
37 Thermal Switch	239-43676-03	239-43676-03

*Applies to all warranties

**Inner door gasket kit recommended

***Ordering a complete burner assembly may increase delivery time. Please order the specific component required for the quickest delivery.



BRADFORD WHITE®

W A T E R H E A T E R S

Ambler, PA

For U.S. and Canada field service,
contact your professional installer or
local Bradford White sales representative.

Sales/800-523-2931
Fax/215-641-1670
Parts Fax/215-641-2180

Technical Support/800-334-3393
Fax/269-795-1089

Warranty/800-531-2111
Fax/269-795-1089

International:
Telephone/215-641-9400
Telefax/215-641-9750



BRADFORD WHITE-CANADA® INC.

Mississauga, ON

Sales/866-690-0961
905-238-0100

Fax/905-238-0105

Technical Support/800-334-3393

Email

parts@bradfordwhite.com
techserv@bradfordwhite.com

www.bradfordwhite.com