



## ELECTRIC REPLACEMENT PARTS LIST

# Residential Energy Saver (RE1U) Utility Models Commercial Energy Saver (LE1U) Utility Models

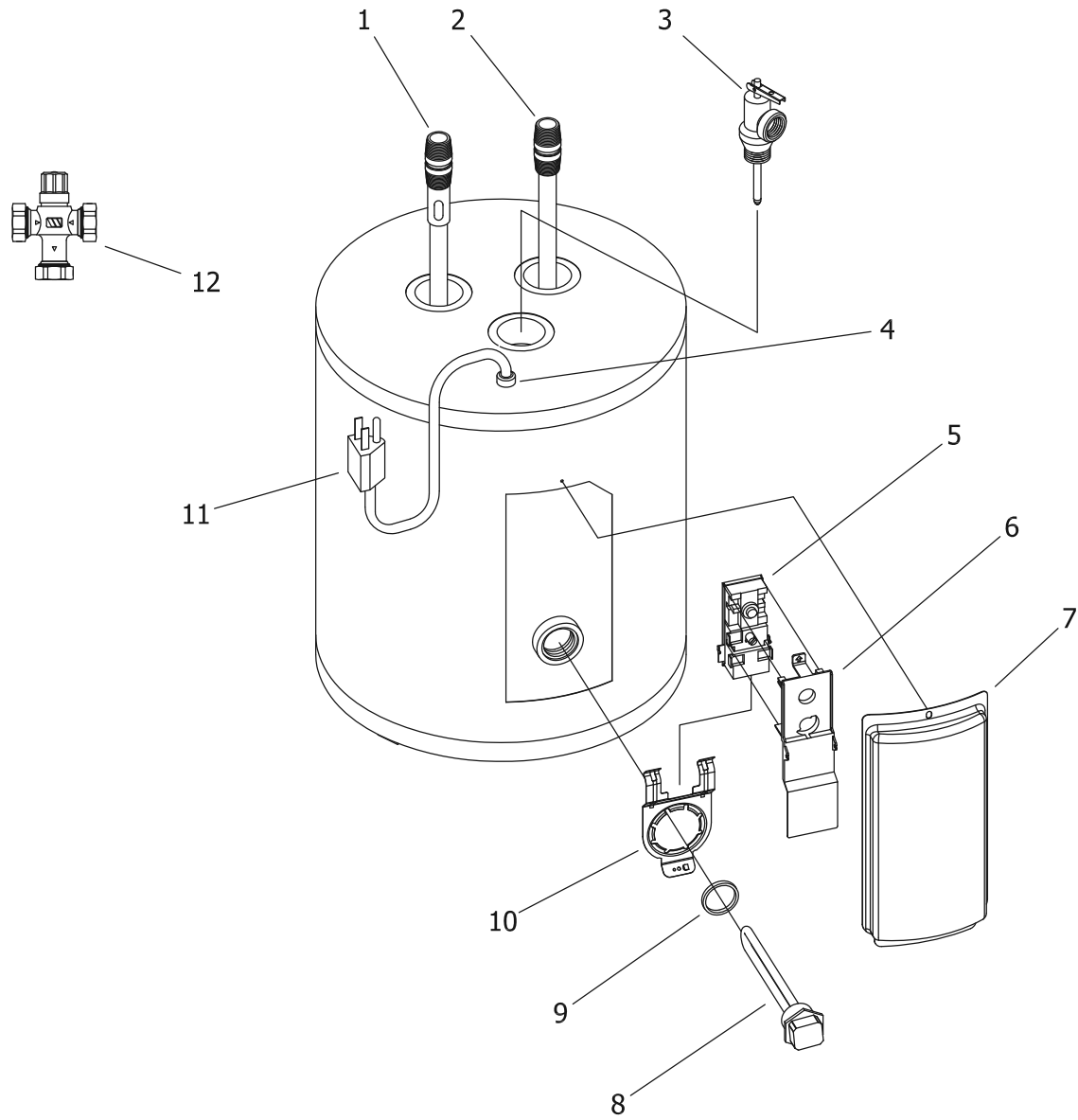


Includes Hydrojet®  
Total Performance System

***Effective: April, 2015***  
***ECO 7950***

**NOTE: BOTH MODEL AND SERIAL  
NUMBERS ARE REQUIRED FOR  
ORDERING REPLACEMENT PARTS**

Dimensions and specifications  
subject to change without notice.



Item	Description	Model RE12U*
1	Hot Water Outlet Anode (Magnesium)#	224-47776-20
	Hot Water Outlet Anode (Aluminum)#	224-47778-20
	Hot Water Outlet Anode (A420 Aluminum)#	224-49560-08
2	Cold Water Inlet Dip Tube (PEX)	229-51534-15
3	T&P Relief Valve	265-40594-02
4	Strain Relief Bushing	239-80372-00
5	Thermostat ■	265-50691-00
6	Thermostat Protector	223-50125-00
7	Access Cover	239-44929-00
8	Heating Element (120V/1500W Copper)** ♦	265-42540-02
	Heating Element (120V/1500W Incoloy)** ♦	265-42541-02
9	Element Gasket	223-34019-00
10	Thermostat Mounting Bracket	239-50689-00
11	Power Cord	239-38846-00
12	ASSE Approved Mixing Valve (Optional)	239-43740-01

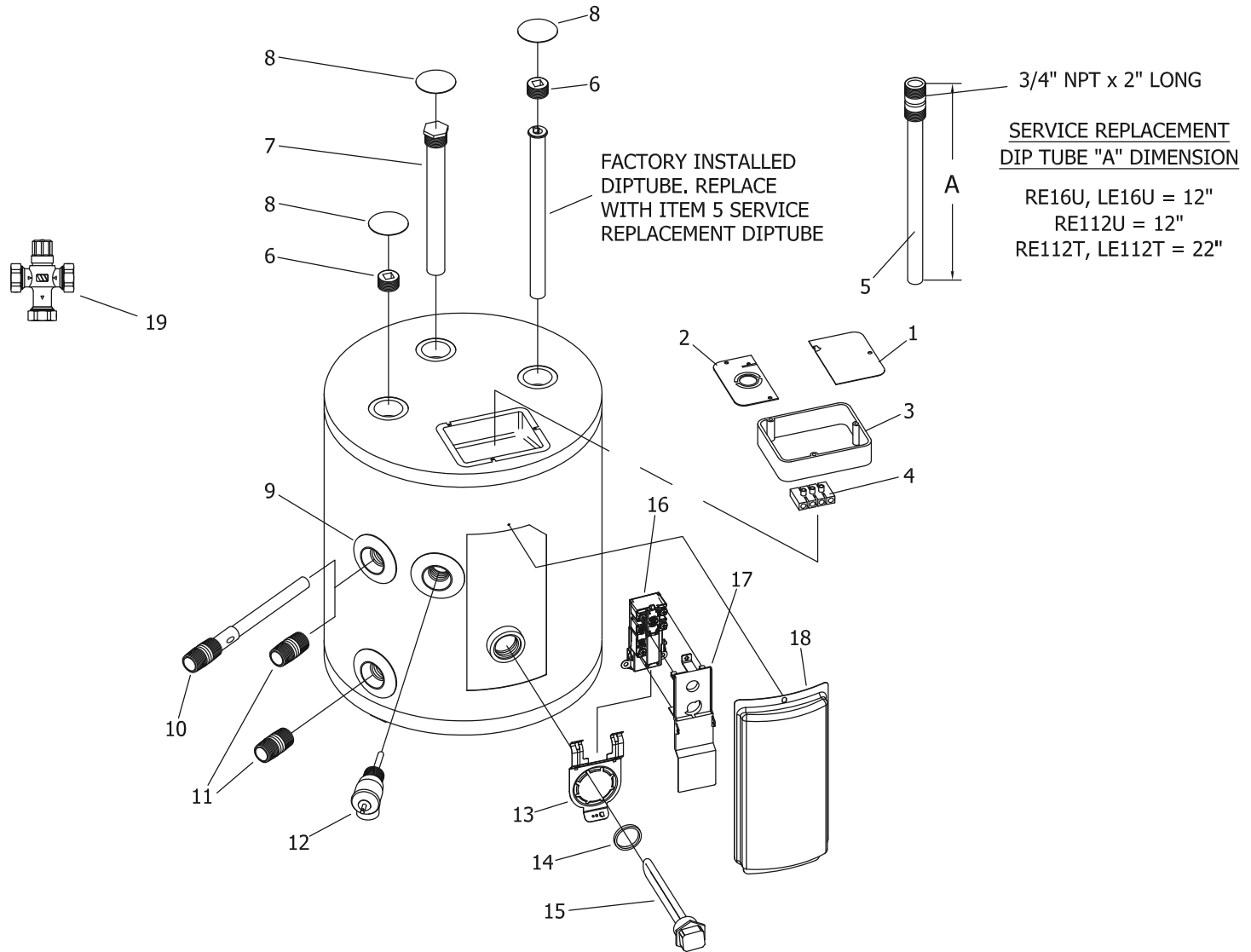
■ Protector (Item #6) and mounting bracket (Item# 10) included in kit

♦ Gasket (Item #9) included with this kit

\* Applies to all warranties

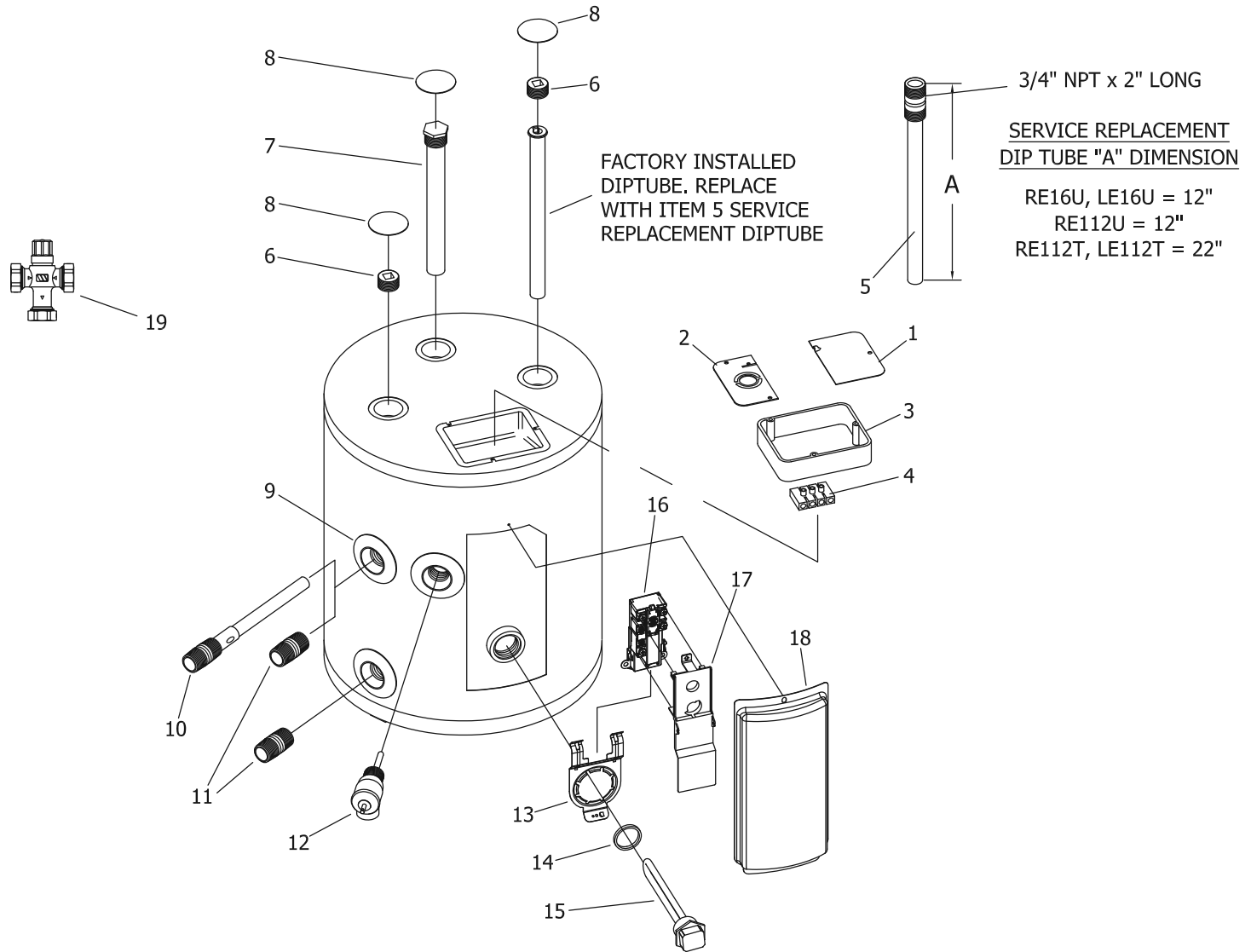
\*\* For other wattages/voltages, consult residential Heating Element Replacement Parts List.

# Anode may need to be cut to length



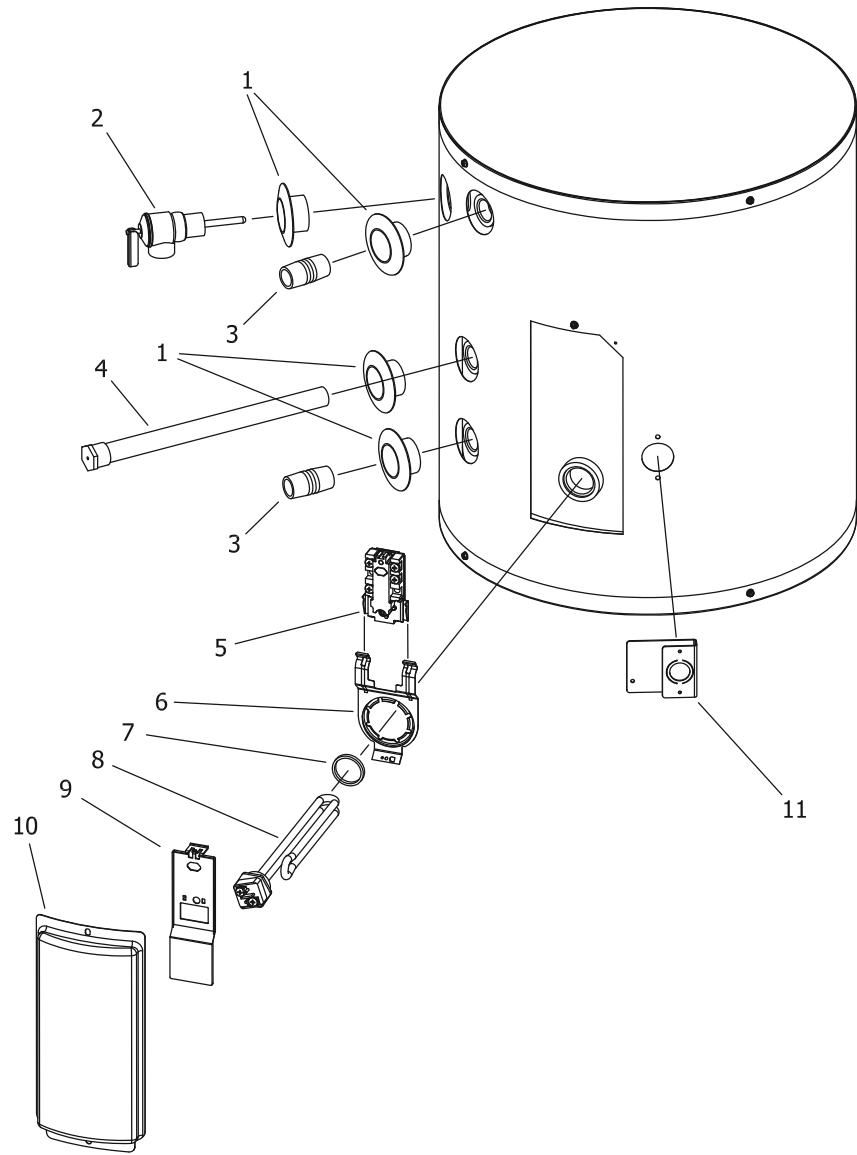
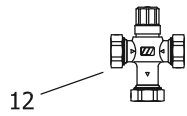
Item	Description	Model RE16U*	Model LE16U*	Model RE120U*	Model LE120U*
1	Junction Box Cover	243-39452-00	239-39450-00	243-39452-00	243-39452-00
2	Bracket-Grounding/Conduit	243-39451-00	243-39451-00	243-39451-00	243-39451-00
3	Junction Box Extender	---	239-40587-00	---	239-40587-00
4	Terminal Block 4-Pole	---	243-49908-00	---	243-49908-00
5	Service Replacement Dip Tube (PEX)	243-51612-01	243-51612-01	---	---
6	Pipe Plug 3/4 NPT	239-11638-00	239-11638-00	---	---
7	Anode Rod Plug Type (Magnesium)#	224-47782-12	224-47782-12	---	---
	Anode Rod Plug Type (Aluminum)#	224-47783-08	224-47783-08	---	---
	Anode Rod Plug Type (A420 Aluminum)#	224-49559-04	224-49559-04	---	---
8	Hole Closure	239-31547-02	239-31547-02	---	---
9	Escutcheon	239-41336-00	239-41336-00	239-41336-00	239-41336-00
10	Hot Water outlet Anode (Magnesium)	---	---	224-47776-14	224-47776-14
	Hot Water outlet Anode (Aluminum)#	---	---	224-32999-33	224-32999-33
	Hot Water outlet Anode (A420 Aluminum)#	---	---	224-49560-08	224-49560-08
11	Inlet/Outlet Nipple	229-32762-03	229-32762-03	229-32762-03	229-32762-03
12	T&P Relief Valve	265-40594-02	265-42540-02	265-42540-02	265-42540-02
13	Thermostat Mounting Bracket	239-50689-00	239-50689-00	239-50689-00	239-50689-00
14	Element Gasket	223-34019-00	223-34019-00	223-34019-00	223-34019-00
15	Heating Element 1500W, 120V Copper** ♦	265-42540-02	265-42540-02	265-42540-02	265-42540-02
	Heating Element 1500W, 120V Incoloy** ♦	265-42541-02	265-42541-02	265-42541-02	265-42541-02
16	Thermostat ■	265-50691-00	265-50691-00	265-50691-00	265-50691-00
17	Thermostat Protector	223-50125-00	223-50125-00	223-50125-00	223-50125-00
18	Access Cover	243-36618-02	243-36618-02	243-36618-02	243-36618-02
19	ASSE Approved Mixing Valve (Optional)	239-43740-01	239-43740-01	239-43740-01	239-43740-01

- Protector (Item# 17) and mounting bracket (Item# 13) included in kit
- ♦ Gasket (Item# 14) included with this kit
- \* Applies to all warranties
- \*\* For other wattages/voltages, consult residential Heating Element Replacement Parts List.
- # Anode may need to be cut to length



Item	Description	Model	Model	Model
		RE112U*	RE112T	LE112T
1	Junction Box Cover	243-39452-00	243-39452-00	243-39452-00
2	Bracket-Grounding/Conduit	243-39451-00	243-39451-00	243-39451-00
3	Junction Box Extender	---	---	239-40587-00
4	Terminal Block 4-Pole	---	---	243-49908-00
5	Service Replacement Dip Tube (PEX)	243-51612-02	243-51612-02	243-51612-02
6	Pipe Plug 3/4 NPT	239-11638-00	239-11638-00	239-11638-00
7	Anode Rod Plug Type (Magnesium)	224-47782-12	224-47782-12	224-47782-12
	Anode Rod Plug Type (Aluminum)	224-47783-08	224-47783-08	224-47783-08
	Anode Rod Plug Type (A420 Aluminum)#	224-49559-04	224-49559-04	224-49559-04
8	Hole Closure	239-31547-02	239-31547-02	239-31547-02
9	Escutcheon	239-41336-00	239-41336-00	239-41336-00
10	Hot Water outlet Anode (Magnesium)	---	---	---
	Hot Water outlet Anode (Aluminum)#	---	---	---
	Hot Water outlet Anode (A420 Aluminum)#	---	---	---
11	Inlet/Outlet Nipple	229-32762-03	229-32762-03	229-32762-03
12	T&P Relief Valve	265-40594-02	265-40594-02	265-40594-02
13	Thermostat Mounting Bracket	239-50689-00	239-50689-00	239-50689-00
14	Element Gasket	223-34019-00	223-34019-00	223-34019-00
15	Heating Element 1500W, 120V Copper** ♦	265-42540-02	265-42540-02	265-42540-02
	Heating Element 1500W, 120V Incoloy** ♦	265-42541-02	265-42541-02	265-42541-02
16	Thermostat ■	265-50691-00	265-50691-00	265-50691-00
17	Thermostat Protector	223-50125-00	223-50125-00	223-50125-00
18	Access Cover	243-36618-02	243-36618-02	243-36618-02
19	ASSE Approved Mixing Valve (Optional)	239-43740-01	239-43740-01	239-43740-01

- Protector (Item# 17) and mounting bracket (Item# 13) included in kit
- ♦ Gasket (Item# 14) included with this kit
- \* Applies to all warranties
- \*\* For other wattages/voltages, consult residential Heating Element Replacement Parts List.
- # A420 Aluminum Anode may need to be cut to length





Item	Description	Model	Model	Model	Model
		RE110U*	LE110U*	RE115U*	LE115U*
1	Escutcheon	239-41336-00	239-41336-00	239-41336-00	239-41336-00
2	T&P Relief Valve	265-40594-02	265-40594-02	265-40594-02	265-40594-02
3	Inlet/Outlet Nipple	229-32762-03	229-32762-03	229-32762-03	229-32762-03
4	Anode Rod Plug Type (Magnesium)#	224-47782-12	224-47782-12	224-47782-12	224-47782-12
	Anode Rod Plug Type (Aluminum)#	224-47783-08	224-47783-08	224-47783-08	224-47783-08
	Anode Rod Plug Type (A420 Aluminum)#	224-49559-04	224-49559-04	224-49559-04	224-49559-04
5	Thermostat ■	265-50691-00	265-50691-00	265-50691-00	265-50691-00
6	Thermostat Mounting Bracket	239-50689-00	239-50689-00	239-50689-00	239-50689-00
7	Element Gasket	223-34019-00	223-34019-00	223-34019-00	223-34019-00
8	Heating Element 1500W, 120V Copper** ♦	265-42540-02	265-42540-02	265-42540-02	265-42540-02
	Heating Element 1500W, 120V Incoloy** ♦	265-42541-02	265-42541-02	265-42541-02	265-42541-02
9	Thermostat Protector	223-50125-00	223-50125-00	223-50125-00	223-50125-00
10	Access Cover	243-36618-02	243-36618-02	243-36618-02	243-36618-02
11	Bracket-Grounding/Conduit	239-46167-00	239-46167-00	239-46167-00	239-46167-00
12	ASSE Approved Mixing Valve (Optional)	239-43740-01	239-43740-01	239-43740-01	239-43740-01

- Protector (Item #9) and mounting bracket (Item# 6) included in kit.
- ♦ Gasket (Item # 7) included with this kit.
- \* Applies to all warranties.
- # Anode may need to be cut to length.







# **BRADFORD WHITE®**

W A T E R H E A T E R S

Ambler, PA

For U.S. and Canada field service,  
contact your professional installer or  
local Bradford White sales representative.

**Sales/800-523-2931**  
**Fax/215-641-1670**  
**Parts Fax/215-641-2180**

**Technical Support/800-334-3393**  
**Fax/269-795-1089**

**Warranty/800-531-2111**  
**Fax/269-795-1089**

**International:**  
**Telephone/215-641-9400**  
**Telefax/215-641-9750**



# **BRADFORD WHITE-CANADA® INC.**

Mississauga, ON

**Sales/866-690-0961**  
**905-238-0100**

**Fax/905-238-0105**

**Technical Support/800-334-3393**

**Email**

**parts@bradfordwhite.com**  
**techserv@bradfordwhite.com**

**www.bradfordwhite.com**