



LIGHT DUTY COMMERCIAL ELECTRIC REPLACEMENT PARTS LIST

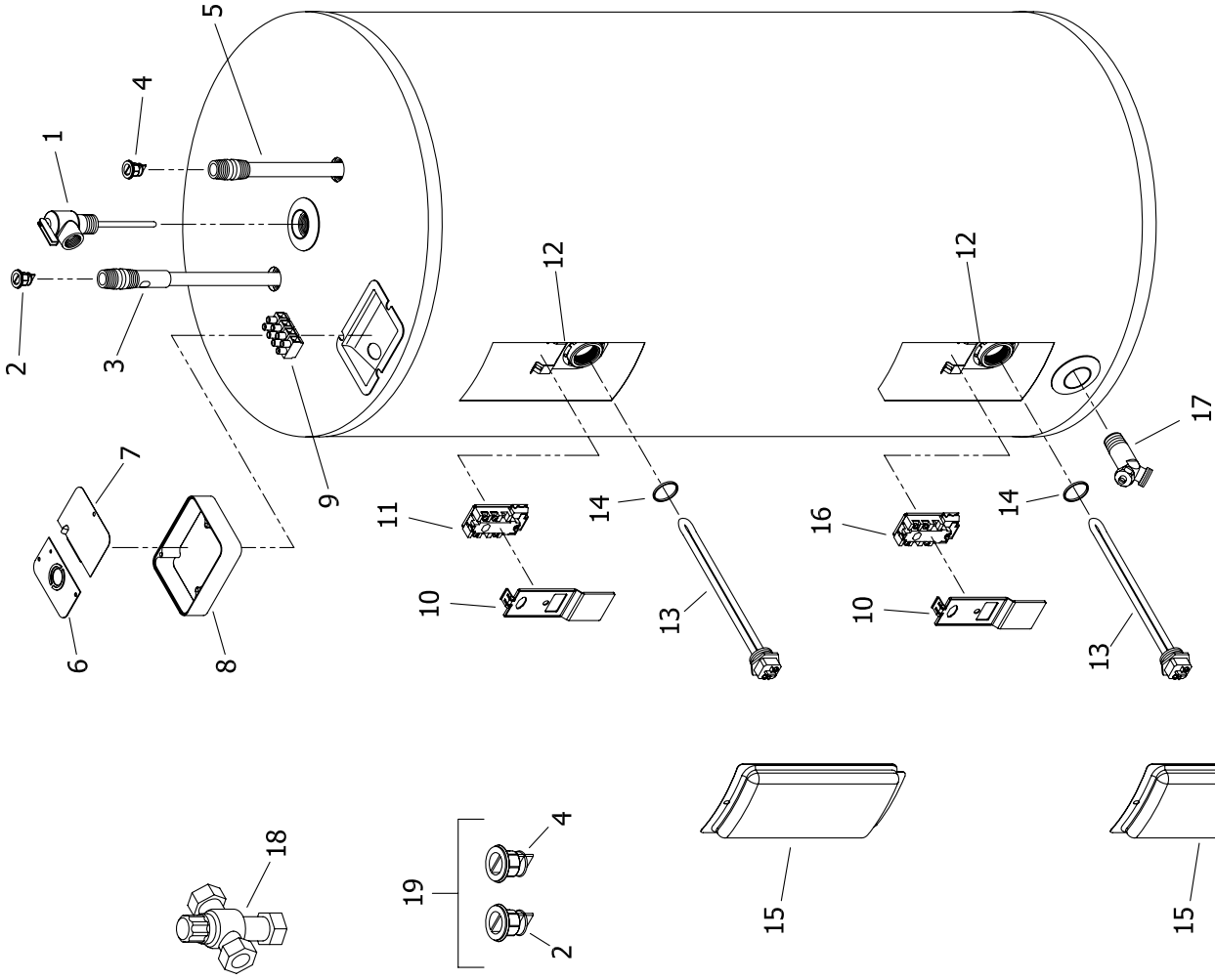
Light Duty Energy Saver Upright
Light Duty Energy Saver Lowboy



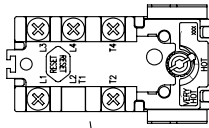
*Effective: March 30, 2007
ECO 7225*

**NOTE: BOTH MODEL AND
SERIAL NUMBERS ARE
REQUIRED FOR ORDERING
REPLACEMENTS PARTS.**

Specification subject to
change without notice.

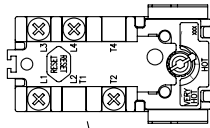


TOP LOCATION
● Double element water heater.



11

BOTTOM LOCATION
● Single element water heater.
● Double element water heater.



16

Item	Description	Model LD30R	Model LD40S	Model LD40T	Model LD50S	Model LD50T	Model LD65R
1	T&P Relief Valve	230-40594-02	230-32920-01	230-32920-01	230-32920-01	230-32920-01	230-32920-01
2	Heat Trap Insert (Outlet)	239-45167-00	239-45167-00	239-45167-00	239-45167-00	239-45167-00	239-45167-00
3	Hot Water Outlet Anode Magnesium ♦	224-32731-98	224-32731-88	224-32731-96	224-32731-88	224-32731-96	224-32731-99
	Aluminum ♦	224-32999-24	224-32999-06	224-32999-07	224-32999-06	224-32999-07	224-32999-26
4	Heat Trap Insert (Inlet)	239-45073-00	239-45073-00	239-45073-00	239-45073-00	239-45073-00	239-45073-00
5	Cold Water Inlet Tube Polypropylene ♦♦	229-39625-25	229-39625-08	229-39625-09	229-39625-08	229-39625-09	229-39625-27
	Polysulfone (NC Code) ♦♦	229-39628-28	229-39628-08	229-39628-09	229-39628-08	229-39628-09	229-39628-10
6	Cover Condiut/Ground	243-39451-00	243-39451-00	243-39451-00	243-39451-00	243-39451-00	243-39451-00
7	Cover Junction box	243-39452-00	243-39452-00	243-39452-00	243-39452-00	243-39452-00	243-39452-00
8	Junction Box Extender	239-40587-00	239-40587-00	239-40587-00	239-40587-00	239-40587-00	239-40587-00
9	Terminal Block (4 pole)	239-40592-00	239-40592-00	239-40592-00	239-40592-00	239-40592-00	239-40592-00
10	Thermostat Protector (Large) ♦♦♦	223-40399-00	223-40399-00	223-40399-00	223-40399-00	223-40399-00	223-40399-00
11	Thermostat with High Limit (89T33) ▲	265-40695-00	265-40695-00	265-40695-00	265-40695-00	265-40695-00	265-40695-00
12	Thermostat Mounting Bracket	239-44479-00	239-44479-00	239-44479-00	239-44479-00	239-44479-00	239-44479-00
13	Heating Element 240V 4500W ▲▲	220-42544-08	220-42544-08	220-42544-08	220-42544-08	220-42544-08	220-42544-08
14	Heating Element Gasket	223-34019-00	223-34019-00	223-34019-00	223-34019-00	223-34019-00	223-34019-00
15	Access Cover	243-36618-02	243-36618-02	243-36618-02	243-36618-02	243-36618-02	243-36618-02
16	Thermostat with High Limit (89T13) ▲	265-40694-00	265-40694-00	265-40694-00	265-40694-00	265-40694-00	265-40694-00
17	Brass Drain Valve	265-42351-02	265-42351-02	265-42351-02	265-42351-02	265-42351-02	265-42351-02
18	ASSE Approved Mixing Valve	239-43740-01	239-43740-01	239-43740-01	239-43740-01	239-43740-01	239-43740-01
19	Kit-Heat Trap Insert	265-45420-00	265-45420-00	265-45420-00	265-45420-00	265-45420-00	265-45420-00

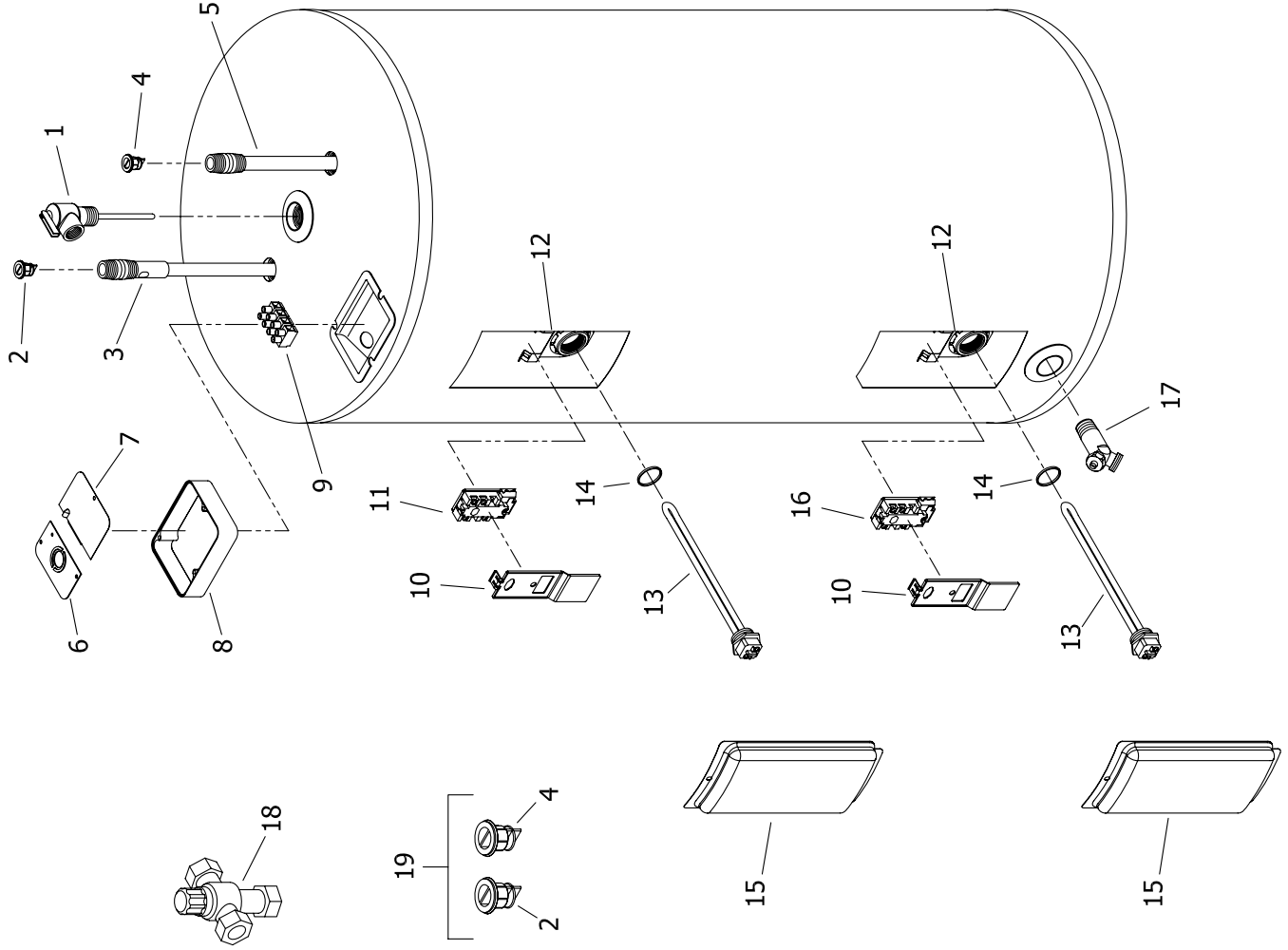
♦ Order with item 2.

♦♦ Order with item 4.

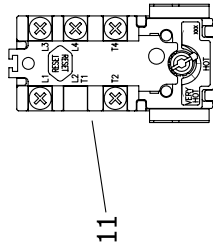
♦♦♦ For use with item 11 and item 16.

▲ Thermostat protector provided with thermostat.

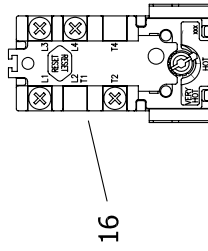
▲▲ For other voltage and wattage combinations, refer to heating element parts list 238-46629-00.



TOP LOCATION
● Double element water heater.



BOTTOM LOCATION
● Single element water heater.
● Double element water heater.



Item	Description	Model LD80R	Model LD120R	Model LD20L	Model LD30L	Model LD40L	Model LD50L
1	T&P Relief Valve	230-32920-01	230-40594-02	230-32920-01	230-40594-02	230-40594-02	230-40594-02
2	Heat Trap Insert (Outlet)	239-45167-00	239-45167-00	239-45167-00	239-45167-00	239-45167-00	239-45167-00
3	Hot Water Outlet Anode Magnesium ♦	224-32731-99	224-45035-02	224-32731-80	224-32731-100	224-32731-100	224-32731-100
	Aluminum ♦	224-32999-26	224-45036-01	224-32999-23	224-32999-27	224-32999-27	224-32999-27
4	Heat Trap Insert (Inlet)	239-45073-00	239-45073-00	239-45073-00	239-45073-00	239-45073-00	239-45073-00
5	Cold Water Inlet Tube Polypropylene ♦♦	229-39625-27	229-45031-01	229-39625-01	229-39625-02	229-39625-02	229-39625-02
	Polysulfone (NC Code) ♦♦	229-39628-10	229-45032-01	229-39628-01	229-39628-02	229-39628-02	229-39628-02
6	Cover Conduit/Ground	243-39451-00	243-39451-00	243-39451-00	243-39451-00	243-39451-00	243-39451-00
7	Cover Junction box	243-39452-00	243-39452-00	243-39452-00	243-39452-00	243-39452-00	243-39452-00
8	Junction Box Extender	239-40587-00	239-40587-00	239-40587-00	239-40587-00	239-40587-00	239-40587-00
9	Terminal Block (4 pole)	239-40592-00	239-40592-00	239-40592-00	239-40592-00	239-40592-00	239-40592-00
10	Thermostat Protector (Large) ♦♦♦	223-40399-00	223-40399-00	223-40399-00	223-40399-00	223-40399-00	223-40399-00
11	Thermostat with High Limit (89T33) ▲	265-40695-00	265-40695-00	265-40695-00	265-40695-00	265-40695-00	265-40695-00
12	Thermostat Mounting Bracket	239-44479-00	239-44479-00	239-44479-00	239-44479-00	239-44479-00	239-44479-00
13	Heating Element 240V 4500W ▲▲	220-42544-08	220-42544-08	220-42544-08	220-42544-08	220-42544-08	220-42544-08
14	Heating Element Gasket	223-34019-00	223-34019-00	223-34019-00	223-34019-00	223-34019-00	223-34019-00
15	Access Cover	243-36618-02	243-36618-02	243-36618-02	243-36618-02	243-36618-02	243-36618-02
16	Thermostat with High Limit (89T13) ▲	265-40694-00	265-40694-00	265-40694-00	265-40694-00	265-40694-00	265-40694-00
17	Brass Drain Valve	265-42351-02	265-42351-02	265-42351-02	265-42351-02	265-42351-02	265-42351-02
18	ASSE Approved Mixing Valve	239-43740-01	239-43740-01	239-43740-01	239-43740-01	239-43740-01	239-43740-01
19	Kit-Heat Trap Insert	265-45420-00	265-45420-00	265-45420-00	265-45420-00	265-45420-00	265-45420-00

- ♦ Order with item 2.
- ♦♦ Order with item 6.
- ♦♦♦ For use with item 11 and item 16.
- ▲ Thermostat protector provided with thermostat.
- ▲▲ For other voltage and wattage combinations, refer to heating element parts list 238-46629-00.

Voltage & Wattage Conversion Kits

Element Wattage	Non-Simultaneous Max Wattage	Simultaneous Max Wattage	Voltage			
			120	208	240	
1500	1500	3000	265-46409-01	265-46409-05	265-46409-13	277
2000	2000	4000	265-46409-02 *	265-46409-06	265-46409-05	265-45409-17
2500	2500	5000	265-46409-03 *	265-46409-07	265-46409-06	265-45409-18
3000	3000	6000	265-46409-04 *	265-46409-08	265-46409-14	265-45409-19
3500	3500	7000	N/A	265-46409-09	265-46409-07	N/A
4000	4000	8000	N/A	265-46409-10	265-46409-08	265-45409-20
4500	4500	9000	N/A	265-46409-11	265-46409-09	265-45409-21
5000	5000	10000	N/A	265-46409-12	265-46409-15	265-45409-22
5500	5500	11000	N/A	265-46409-46 *	265-46409-10	265-46409-40
6000	6000	12000	N/A	265-46409-47 *	265-46409-48 *	265-45409-23

Element Wattage	Non-Simultaneous Max Wattage	Simultaneous Max Wattage	Voltage		
			380	415	
1500	1500	3000	265-46409-24	265-46409-41	265-46409-32
2000	2000	4000	265-46409-43	265-46409-24	265-46409-33
2500	2500	5000	265-46409-25	265-46409-43	265-46409-34
3000	3000	6000	265-46409-26	265-46409-25	265-46409-35
3500	3500	7000	265-46409-27	265-46409-26	N/A
4000	4000	8000	265-46409-29	265-46409-27	265-46409-36
4500	4500	9000	265-46409-30	265-46409-28	265-46409-37
5000	5000	10000	265-46409-31	265-46409-29	265-46409-38
5500	5500	11000	265-46409-44	265-46409-30	265-46409-42
6000	6000	12000	265-46409-45	265-46409-31	265-46409-39

* These kits contain only one element for single element water heaters only.



BRADFORD WHITE[®]

C O R P O R A T I O N

Ambler, PA

For U.S. and Canada field service,
contact your professional installer or
local Bradford White sales representative.

Sales/800-523-2931

Fax/215-641-1670

Application & Sizing/800-523-2931

Fax/215-641-1612

Technical Support/800-334-3393

Fax/269-795-1089

Warranty/800-531-2111

Fax/269-795-1089

International:

Telephone/215-641-9400

Telefax/215-641-9750



BRADFORD WHITE-CANADA[®] INC.

Mississauga, ON

Sales/Technical Support

866-690-0961

905-238-0100

Fax/905-238-0105

Email

parts@bradfordwhite.com

techserv@bradfordwhite.com

www.bradfordwhite.com

www.bradfordwhitecanada.com