



## COMMERCIAL GAS REPLACEMENT PARTS LIST

# Ultra High Efficiency (eF Series®) 60 and 100 Gallon Models

**Including:**  
**100 Gallon Top Water Connections**  
**100 Gallon Side Water Connections (-2 series)**  
**60 Gallon Side Water Connections (-2 series)**

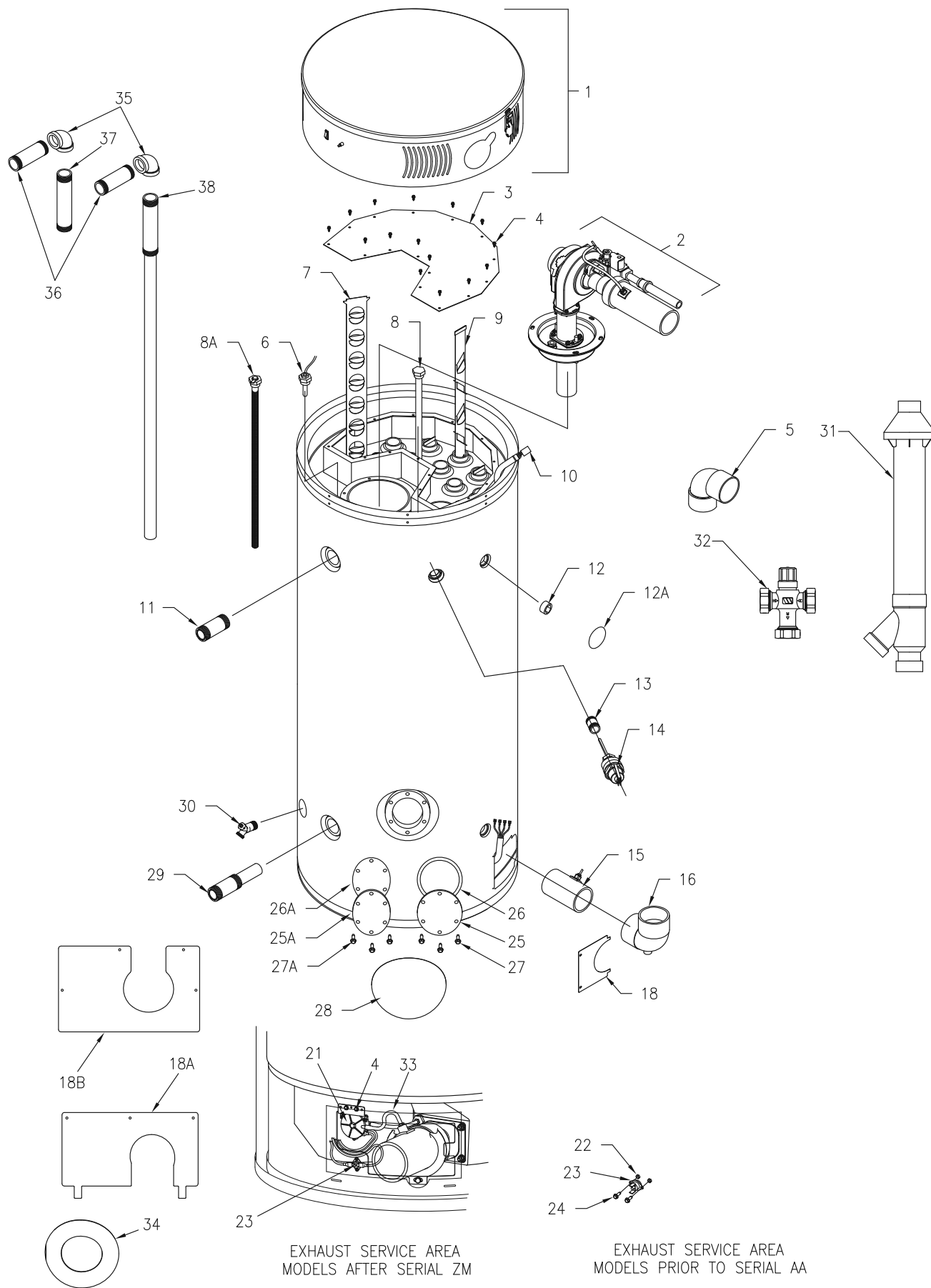


Includes Hydrojet®  
Total Performance System

**Effective: January, 2008**  
**ECO 7302**

**NOTE: BOTH MODEL AND SERIAL  
NUMBERS ARE REQUIRED FOR  
ORDERING REPLACEMENT PARTS**

Dimensions and specifications  
subject to change without notice.

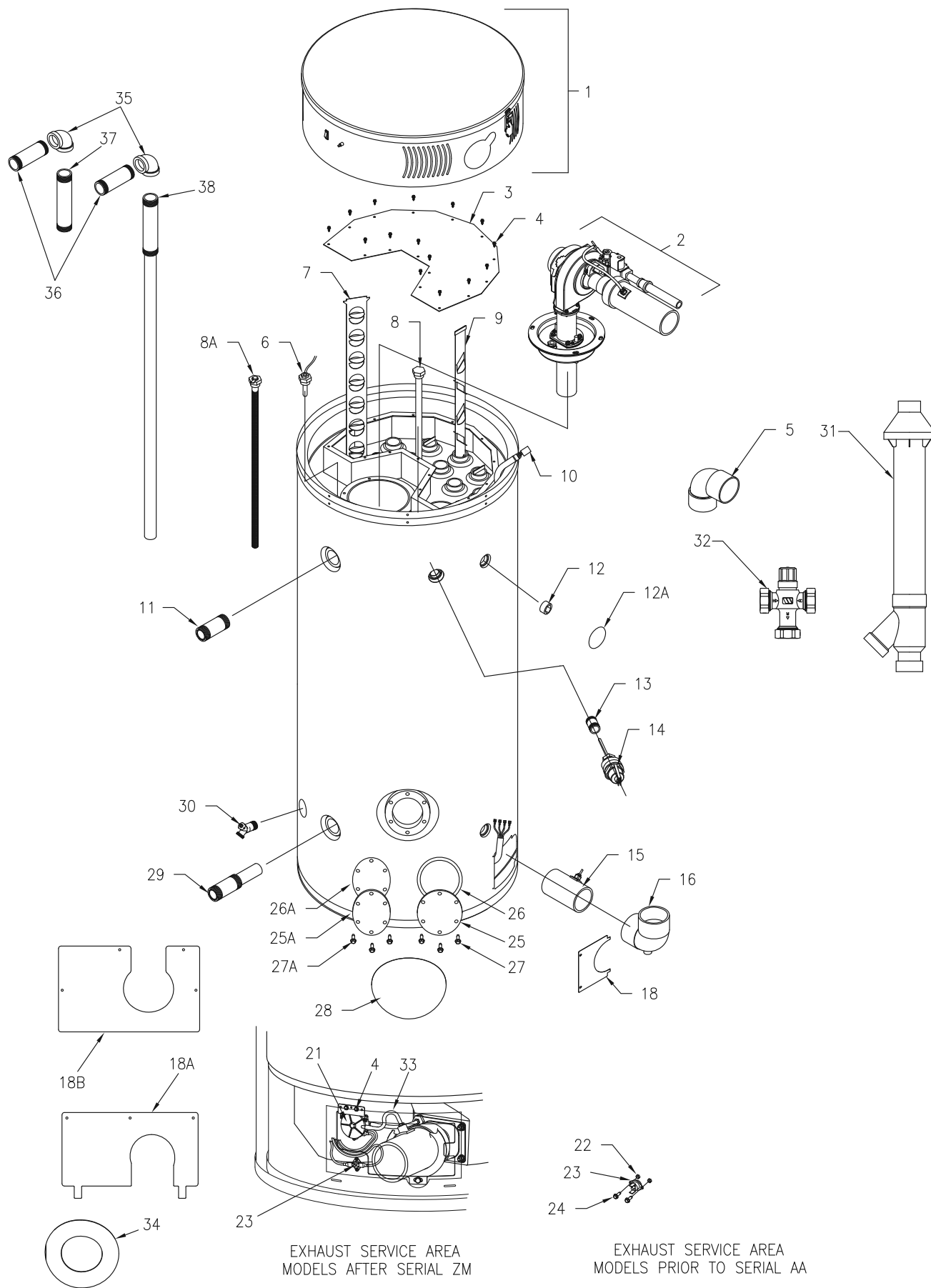


Item	Description	Model EF60T125(E)*(N,X)(A)2	Model EF60T150(E)*(N,X)(A)2	Model EF60T199(E)*(N,X)(A)2
1	Combustion Surround Assembly	See Page 8	See Page 8	See Page 8
2	Combustion System Assembly	See Page 6	See Page 6	See Page 6
3	Collector Cover Second Pass	239-43454-00	239-43454-00	239-43454-00
4	Screw-Second Pass Collector Cover	239-44444-00	239-44444-00	239-44444-00
5	Elbow-Vent Terminal (2 Req'd)	239-40579-00	239-40579-00	239-40579-00
6	Temperature sensor	239-82034-00	239-82034-00	239-82034-00
7	Baffle 4" Flue (2 Req'd)	243-43304-00	243-43304-00	243-43304-00
8	Anode Rod (magnesium) (4 Req'd)	224-47782-13	224-47782-13	224-47782-13
	Power Anode	---	---	---
	Anode Rod (Aluminium) (4 Req'd)	224-38508-06	224-38508-06	224-38508-06
	Anode Rod (A420 Aluminum) (4 Req'd)#	224-49560-08	224-49560-08	224-49560-08
9	Baffle 2" Flue (8 Req'd)	239-45659-00	239-45659-00	239-45659-00
10	Wire Harness-Service Panel	239-43358-02	239-43358-02	239-43358-02
11	Nipple Hot Water Outlet Plastisert (front connect)	229-40913-07	229-40913-07	229-40913-07
12	Pipe Plug 1" NPT	239-02048-00	239-02048-00	239-02048-00
12A	Hole Closure	239-31547-02	239-31547-02	239-31547-02
13	Nipple Plastisert 3/4" NPT x 2"	229-32762-02	229-32762-02	229-32762-02
14	T&P Relief Valve	230-30246-00	230-30246-00	230-30246-00
15	Exhaust Pipe (PVC) with Hose Barb	239-45971-00	239-45971-00	239-45971-00
16	Condensate Elbow	239-43211-00	239-43211-00	239-43211-00
17	Screw Service Panel (serial prior to AA)	239-42637-00	239-42637-00	239-42637-00
18	Outer Door Service Panel (serial prior to AA)	243-43278-00	243-43278-00	243-43278-00
18A	Outer Door EF series (serial after ZM)	243-44668-00	243-44668-00	243-44668-00
18B	Outer Door	---	---	---
20	Service Panel Bracket (serial prior to AA)	See Note	See Note	See Note
21	Exhaust Pressure Switch:	---	---	---
	Serial prior to AA (external pressure switch kit)	265-45222-04	265-45222-03	265-45222-01
	Serial AA thru CE7818522	239-44723-04	239-44723-03	239-44723-01
	Serial CE7818523 & after	239-46037-01	239-46037-01	239-46037-01
22	Keps Nut	239-81844-00	239-81844-00	239-81844-00
23	Resettable Limit Switch	239-43238-02	239-43238-02	239-43238-02
24	Screw 6-32 x 3/8	239-81843-00	239-81843-00	239-81843-00
25	Cleanout Cover	205-18428-00	205-18428-00	205-18428-00
26	Cleanout Gasket	205-18427-00	205-18427-00	205-18427-00

\* Applies to all warranties

# A420 Anode may need to be cut to length

Note: Service panel bracket no longer available.  
Replace with external pressure switch kit for  
serials prior to AA.



Item	Description	Model	Model	Model
		EF60T125(E)*(N,X)(A)2	EF60T150(E)*(N,X)(A)2	EF60T199(E)*(N,X)(A)2
27	Screw 5/16 - 18 x 1/2	239-82166-00	239-82166-00	239-82166-00
25A	Cleanout Cover (ASME)	205-32941-00	205-32941-00	205-32941-00
26A	Cleanout Gasket (ASME)	205-32942-00	205-32942-00	205-32942-00
27A	Screw 5/16 - 18 x 1/2 (ASME)	239-32970-00	239-32970-00	239-32970-00
28	Clean Out Access Cover	243-20299-00	243-20299-00	243-20299-00
29	Inlet tube Hydrojet (front connect)	229-44375-00	229-44375-00	229-44375-00
30	Drain Valve Brass (no handle)	265-42351-02	265-42351-02	265-42351-02
31	Coaxial Vent Terminal Horz./Vert. 3"	239-44069-01	239-44069-01	239-44069-01
32	ASSE Approved Mixing Valve	239-43740-02	239-43740-02	239-43740-02
33	Silicone Tubing 3/16" I.D.	239-41718-00	239-41718-00	239-41718-00
34	Exhaust Escutcheon	239-43997-00	239-43997-00	239-43997-00
35	Elbow 1-1/2 NPT Galvanized (serial prior to AB)	---	---	---
36	Horizontal Inlet/Outlet nipple (serial prior to AB)	---	---	---
37	Vertical Outlet Nipple (serial prior to AB)	---	---	---
38	Cold Water Inlet Dip Tube (serial prior to AB)	---	---	---

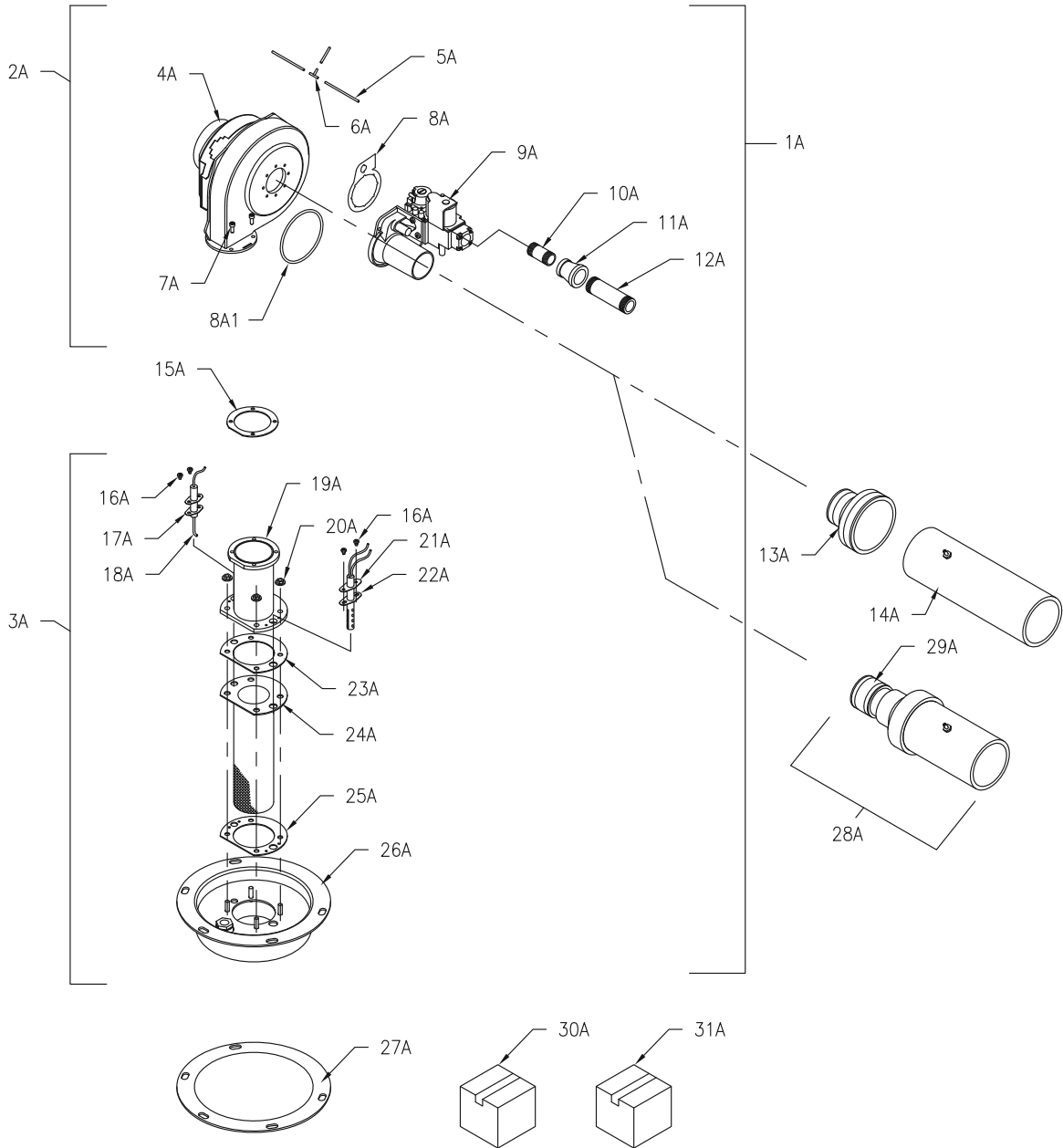
\* Applies to all warranties

# A420 Anode may need to be cut to length

Note: Service panel bracket no longer available.

Replace with external pressure switch kit for serials prior to AA.

# COMBUSTION SYSTEM ASSEMBLY



## Combustion System Assembly

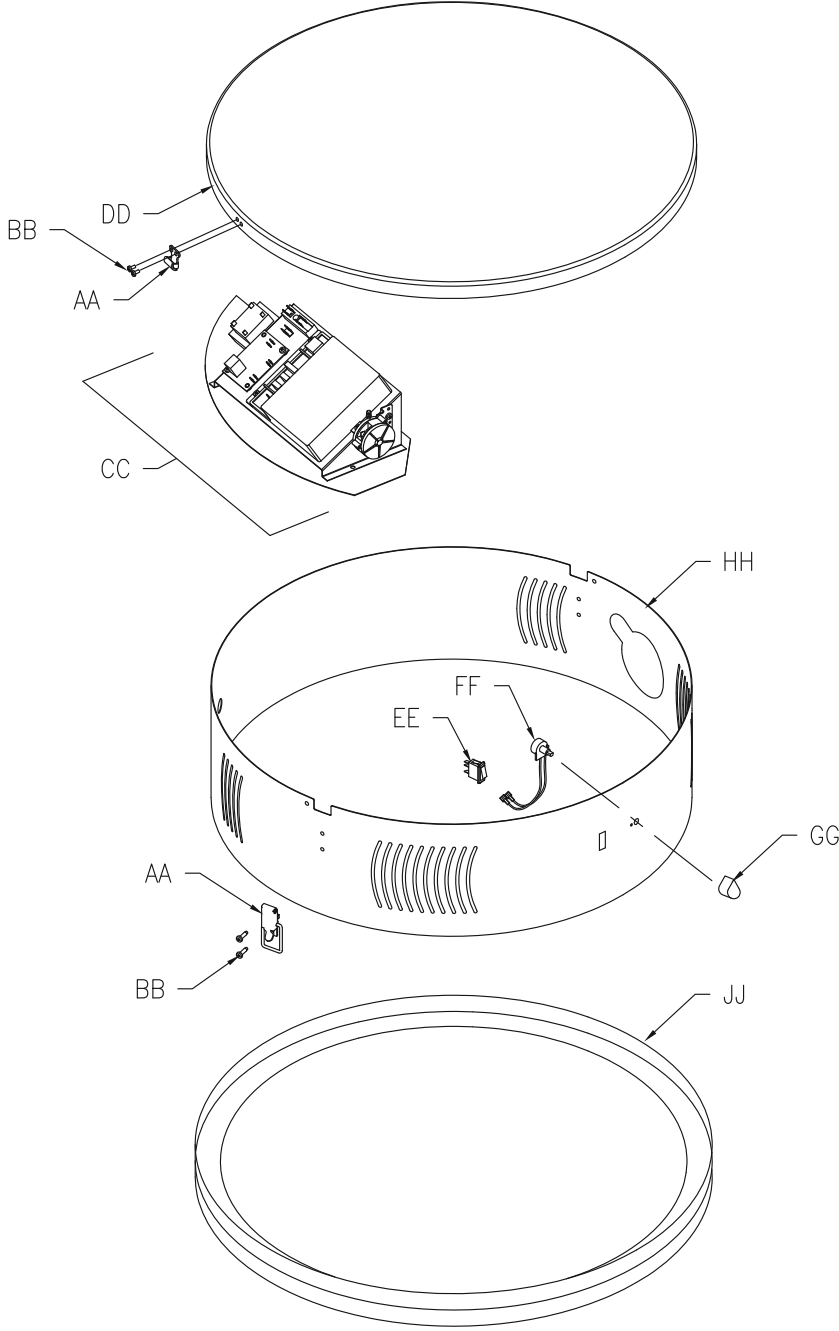
Item	Description	Model	Model	Model
		EF60T125(E)*(N,X)(A)2	EF60T150(E)*(N,X)(A)2	EF60T199(E)*(N,X)(A)2
1A	Combustion System Assembly Complete (Natural):	265-46025-01	265-47153-01	265-46025-05
	Combustion System Assembly Complete (LP):	265-46025-02	265-47153-02	265-46025-06
2A	Blower/Gas valve Assembly (Natural):	243-46009-01	265-47152-01	243-46010-01
	Blower/Gas valve Assembly (LP)	243-46009-02	265-47152-02	243-46010-02
3A	Burner Assembly	243-46023-00	243-46023-00	243-46023-00
4A	Blower-EBM (with gasket)	265-44037-00	265-44037-00	265-43229-00
	Blower-EBM	---	---	---
5A	Hose Tubing 3/16" I.D.	239-41718-00	239-41718-00	239-41718-00
6A	Tee Hose Connector	239-43446-00	239-43446-00	239-43446-00
7A	Screw 10-32 x 3/4 SHCS	239-43273-00	239-43273-00	239-43273-00
8A	Gasket Venturi to blower	239-44654-00	239-44654-00	239-44654-00
8A1	O-ring Venturi to Blower	---	---	---
9A	Gas valve assembly (Natural):	243-46007-01	265-47151-00	243-46007-02
	Gas valve assembly (LP):	243-46008-01	265-47154-00	243-46008-02
10A	Nipple 1/2 NPT x 3"	239-37047-00	239-37047-00	239-37047-00
11A	Reducer 3/4 x 1/2 NPT	239-04474-00	239-04474-00	239-04474-00
12A	Nipple 3/4 NPT x 6"	239-43373-00	239-43373-00	239-43373-00
13A	2" x 3" Dia. Flex Reducer	239-40902-00	239-40902-00	239-40902-00
14A	Inlet Tube (PVC)	239-43364-01	239-43364-01	239-43364-01
15A	Gasket Blower Transition	239-43241-00	239-43241-00	239-43241-00
16A	Screw 8-32 x 1/4 RHCR	239-43272-00	239-43272-00	239-43272-00
17A	Gasket Flame Sensor	239-43371-00	239-43371-00	239-43371-00
18A	Flame Sensor W/Gasket	265-43232-00	265-43232-00	265-43232-00
19A	Weldment -Blower Transition	239-43201-00	239-43201-00	239-43201-00
20A	Nut Hex Washer	239-43297-00	239-43297-00	239-43297-00
21A	Hot Surface Igniter W/Gasket	265-45543-00	265-45543-00	265-45543-00
22A	Gasket-Hot Surface Igniter	239-43370-00	239-43370-00	239-43370-00
23A	Burner Mounting Gasket	239-43246-00	239-43246-00	239-43246-00
24A	Burner Tube with gasket	228-45624-00	228-45624-00	228-45624-00
25A	Burner Mounting Gasket	239-43246-00	239-43246-00	239-43246-00
26A	Burner Mounting Insert	239-43167-00	239-43167-00	239-43167-00
27A	Gasket-burner Mounting Insert	239-43197-00	239-43197-00	239-43197-00
28A	Assembly Air Inlet Piping	---	---	---
29A	Coupling-Flexible 2" x 2"	---	---	---
30A	Gas Regulator Kit (optional)	243-45517-01	243-45517-01	243-45517-01
31A	LP to Natural Gas Conversion Kit (optional):	265-46391-01	265-46391-02	265-46391-02

\* Applies to all warranties

<sup>1</sup> For serial AH5039100 & after.

<sup>2</sup> For serial prior to AH5039100.

COMBUSTION SURROUND ASSEMBLY



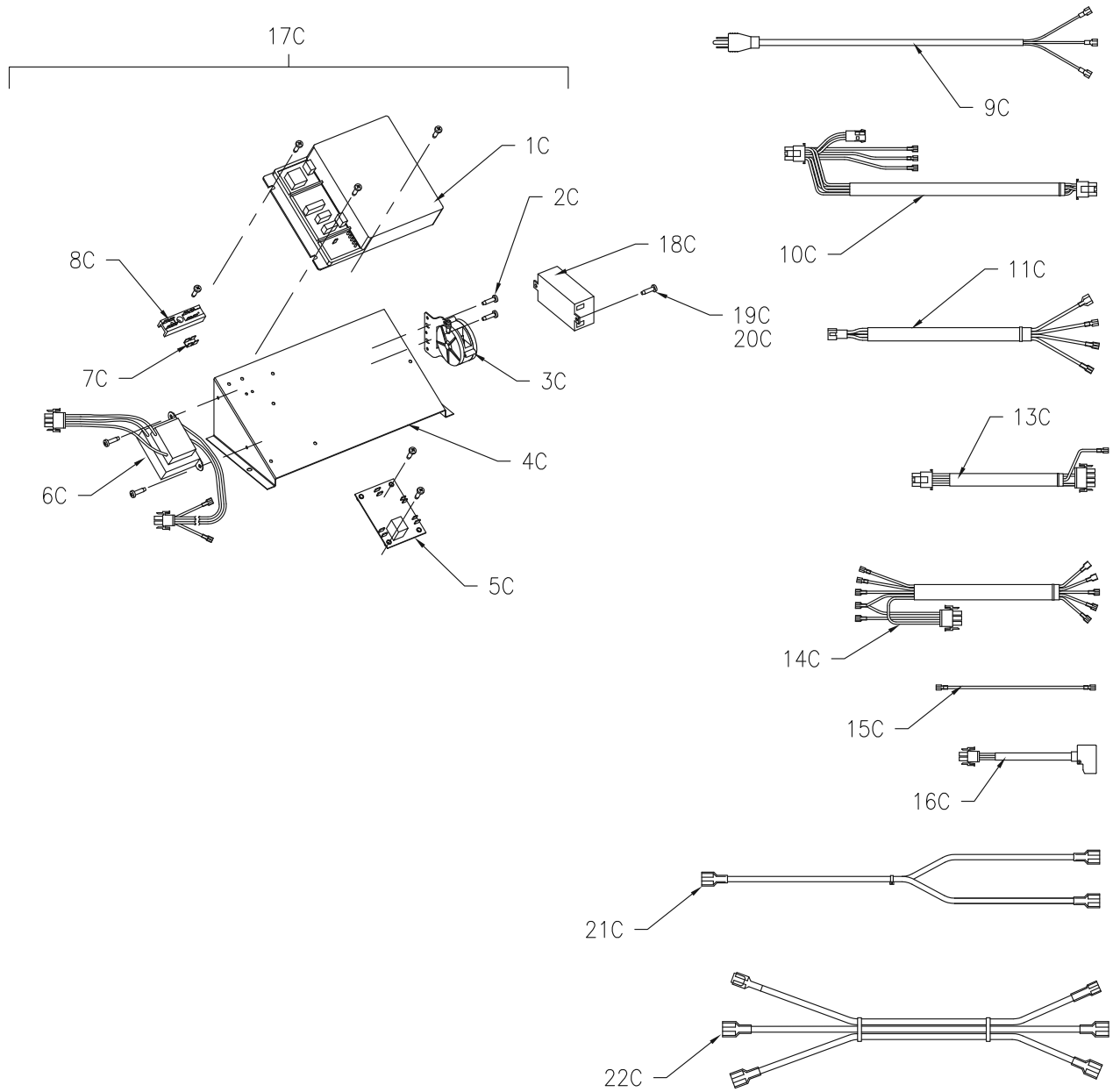


## Combustion Surround Assembly

Item	Description	Model	Model	Model
		EF60T125(E)*(N,X)(A)2	EF60T150(E)*(N,X)(A)2	EF60T199(E)*(N,X)(A)2
AA	Keeper Latch & Catch	239-43239-00	239-43239-00	239-43239-00
BB	Screw 8-32 x 1/2 RHCR	239-41715-00	239-41715-00	239-41715-00
CC	Ignition Control assembly	See Page 10	See Page 10	See Page 10
DD	Jacket Head	243-43240-02	243-43240-02	243-43240-02
EE	Main Power Switch	239-43234-00	239-43234-00	239-43234-00
FF	Temperature control potentiometer	233-82054-00	233-82054-00	233-82054-00
GG	Knob-Temperature Control	239-43235-00	239-43235-00	239-43235-00
HH	Combustion Surround Front Connect <sup>1</sup>	243-46148-00-01	243-46148-00-01	243-46148-00-01
HH	Combustion Surround Top Connect <sup>2</sup>	239-43261-00-01	239-43261-00-01	239-43261-00-01
JJ	Combustion Surround Base	243-43710-00-01	243-43710-00-01	243-43710-00-01

- \* Applies to all warranties
- # A420 Anode may need to be cut to length
- <sup>1</sup> All 60 gal. Models, 100 gal models after serial AA
- <sup>2</sup> 100 gal. Models prior to serial AB

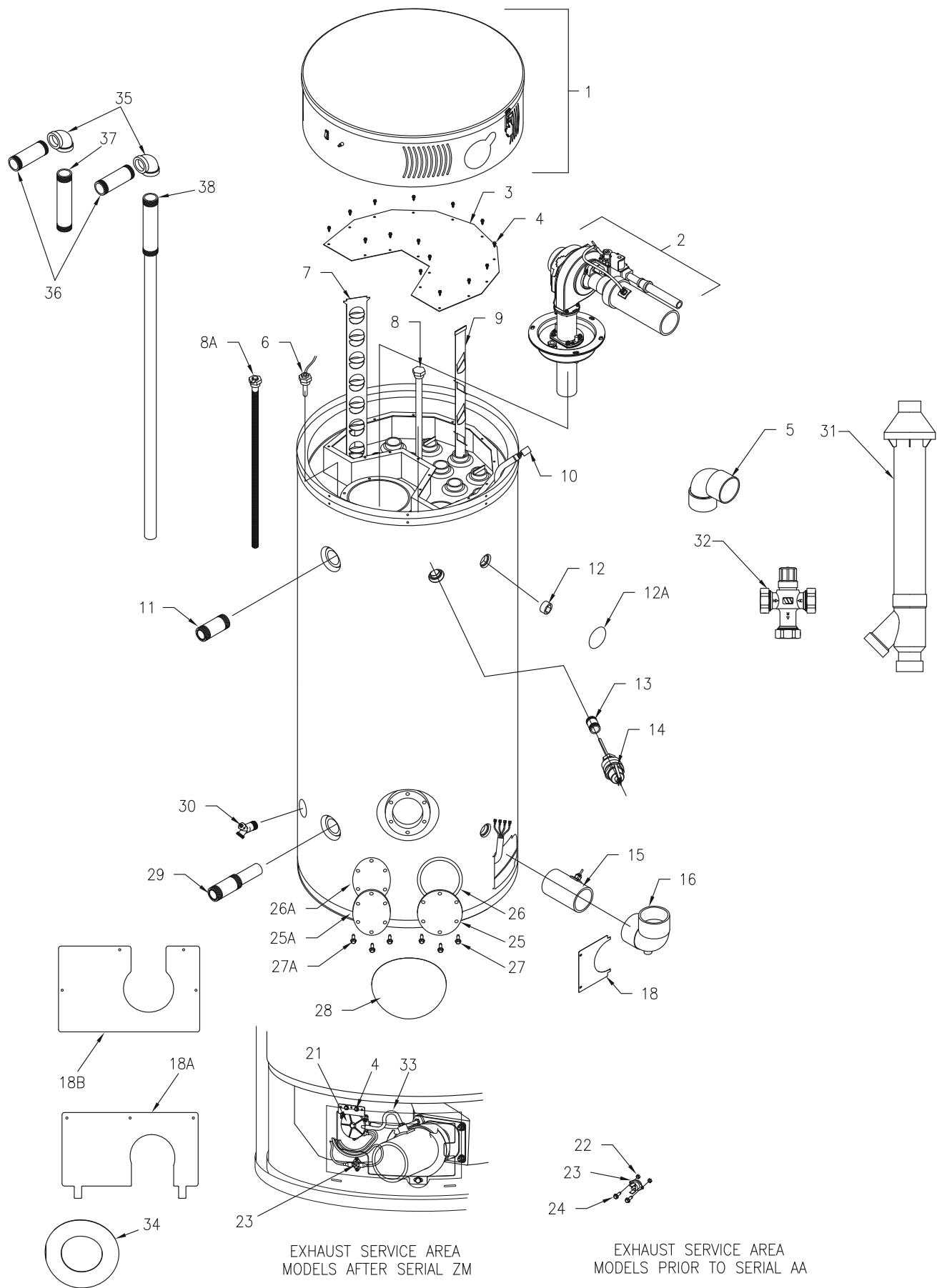
# IGNITION CONTROL ASSEMBLY



## Ignition Control Assembly

Item	Description	Model	Model	Model
		EF60T125(E)*(N,X)(A)2	EF60T150(E)*(N,X)(A)2	EF60T199(E)*(N,X)(A)2
1C	Electronic Control Module	233-46045-00	233-46045-00	233-46045-00
2C	Screw #8-32 x 1/2 (10 reqd)	239-41715-00	239-41715-00	239-41715-00
3C	Vacuum Switch-Intake <sup>1</sup>	239-44724-01	239-44724-01	239-44724-01
4C	Control Mounting Panel	239-43268-00	239-43268-00	239-43268-00
5C	Thermostat Board	233-41346-00	233-41346-00	233-41346-00
6C	Transformer	233-43346-00	233-43346-00	233-43346-00
7C	Ground Terminal	239-80112-00	239-80112-00	239-80112-00
8C	Terminal Strip	239-80373-00	239-80373-00	239-80373-00
9C	Power Cord	239-44466-00	239-44466-00	239-44466-00
10C	Wire Harness-Electronic Control Module:	---	---	---
	Serial CE7818523 & after	239-43290-00	239-43290-00	239-43290-00
	Serial Prior to CE7818523	Call Tech Support	Call Tech Support	Call Tech Support
11C	Wire Harness-Thermostat & ECO	239-43291-00	239-43291-00	239-43291-00
13C	Wire Harness-Blower	239-43292-00	239-43292-00	239-43292-00
14C	Wire Harness-Power Switch	239-43347-00	239-43347-00	239-43347-00
15C	Wire-Flame Sensor	239-38951-59	239-38951-59	239-38951-59
16C	Wire Harness-Gas Valve Rectifier	239-43571-00	239-43571-00	239-43571-00
17C	Ignition Control Assembly	243-43288-00	243-43288-00	243-43288-00
18C	Potentiostat for Power Anode	---	---	---
19C	Screw #4-40 x 3/8 RHCR (2 reqd)	---	---	---
20C	Nut #4-40 Hex Keps (2 reqd)(not shown)	---	---	---
21C	Harness Power Anode	---	---	---
22C	Harness Power Anode Control	---	---	---

<sup>1</sup> Models prior to serial CE7818523 only

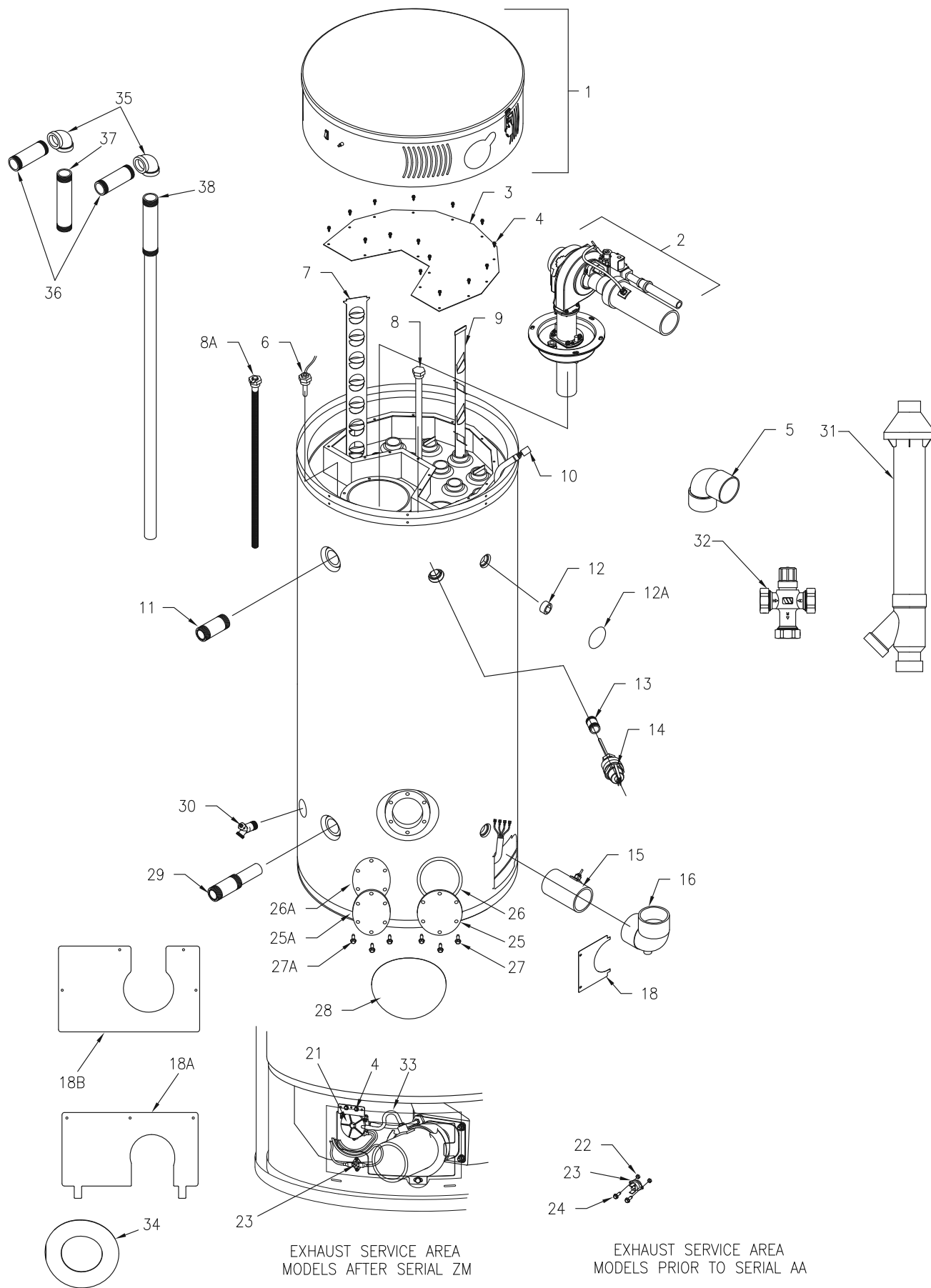


Item	Description	Model	Model	Model	Model	Model
		EF100T150(E)*(N,X)(A)(2)	EF100T199(E)*(N,X)(A)(2)	EF100T250(E)*(N,X)(A)(2)	EF100T300(E)*(N,X)(A)(2)	EF100T399(E)*(N,X)(A)2
1	Combustion Surround Assembly	See Page 18	See Page 18	See Page 18	See Page 18	See Page 18
2	Combustion System Assembly	See Page 16	See Page 16	See Page 16	See Page 16	See Page 16
3	Collector Cover Second Pass	239-43454-00	239-43454-00	239-43454-00	239-43454-00	239-43454-00
4	Screw-Second Pass Collector Cover	239-44444-00	239-44444-00	239-44444-00	239-44444-00	239-44444-00
5	Elbow-Vent Terminal (2 Req'd)	239-40579-00	239-40579-00	239-40579-00	239-40579-00	239-40579-00
6	Temperature sensor	239-82034-00	239-82034-00	239-82034-00	239-82034-00	239-82034-00
7	Baffle 4" Flue (2 Req'd)	---	243-43304-00	243-43304-00	243-43304-00	239-46099-00
8	Anode Rod (magnesium) (4 Req'd)	224-47782-08	224-47782-08	224-47782-08	224-47782-08	224-47782-12
	Power Anode	---	---	---	---	224-46075-00 (2 Req'd)
	Anode Rod (Aluminium) (4 Req'd)	224-38508-01	224-38508-01	224-38508-01	224-38508-01	
	Anode Rod (A420 Aluminum) (4 Req'd)#	224-49560-08	224-49560-08	224-49560-08	224-49560-08	224-49560-08 (3 Req'd)
9	Baffle 2" Flue (8 Req'd)	239-45658-00	239-45658-00	239-45658-00	239-45658-00	239-45658-00
10	Wire Harness-Service Panel	239-43358-01	239-43358-01	239-43358-01	239-43358-01	239-43358-01
11	Nipple Hot Water Outlet Plastisert (front connect)	229-40913-07	229-40913-07	229-40913-07	229-40913-07	229-40913-07
12	Pipe Plug 1" NPT	239-02048-00	239-02048-00	239-02048-00	239-02048-00	239-02048-00
12A	Hole Closure	239-31547-02	239-31547-02	239-31547-02	239-31547-02	239-31547-02
13	Nipple Plastisert 3/4" NPT x 2"	229-32762-02	229-32762-02	239-80982-00	239-80982-00	239-80982-00
14	T&P Relief Valve	230-30246-00	230-30246-00	230-33630-04	230-33630-04	230-33630-04
15	Exhaust Pipe (PVC) with Hose Barb	239-45971-00	239-45971-00	239-45971-00	239-45971-00	---
16	Condensate Elbow	239-43211-00	239-43211-00	239-43211-00	239-43211-00	239-46227-00
17	Screw Service Panel (serial prior to AA)	239-42637-00	239-42637-00	239-42637-00	239-42637-00	---
18	Outer Door Service Panel (serial prior to AA)	243-43278-00	243-43278-00	243-43278-00	243-43278-00	---
18A	Outer Door EF series (serial after ZM)	243-44668-00	243-44668-00	243-44668-00	243-44668-00	---
18B	Outer Door	---	---	---	---	243-46231-00
20	Service Panel Bracket (serial prior to AA)	See Note	See Note	See Note	See Note	---
21	Exhaust Pressure Switch:	---	---	---	---	239-46037-01
	Serial prior to AA (external pressure switch kit)	265-45222-01	265-45222-03	---	---	---
	Serial AA thru CE7818522	239-44723-01	239-44723-03	239-44723-05	239-44723-05	---
	Serial CE7818523 & after	239-46037-01	239-46037-01	239-46037-01	239-46037-01	---
22	Keps Nut	239-81844-00	239-81844-00	239-81844-00	239-81844-00	239-81844-00
23	Resettable Limit Switch	239-43238-02	239-43238-02	239-43238-02	239-43238-02	239-43238-02
24	Screw 6-32 x 3/8	239-81843-00	239-81843-00	239-81843-00	239-81843-00	239-81843-00
25	Cleanout Cover	205-18428-00	205-18428-00	205-18428-00	205-18428-00	205-18428-00
26	Cleanout Gasket	205-18427-00	205-18427-00	205-18427-00	205-18427-00	205-18427-00

\* Applies to all warranties

# A420 Anode may need to be cut to length

Note: Service panel bracket no longer available.  
Replace with external pressure switch kit for  
serials prior to AA.



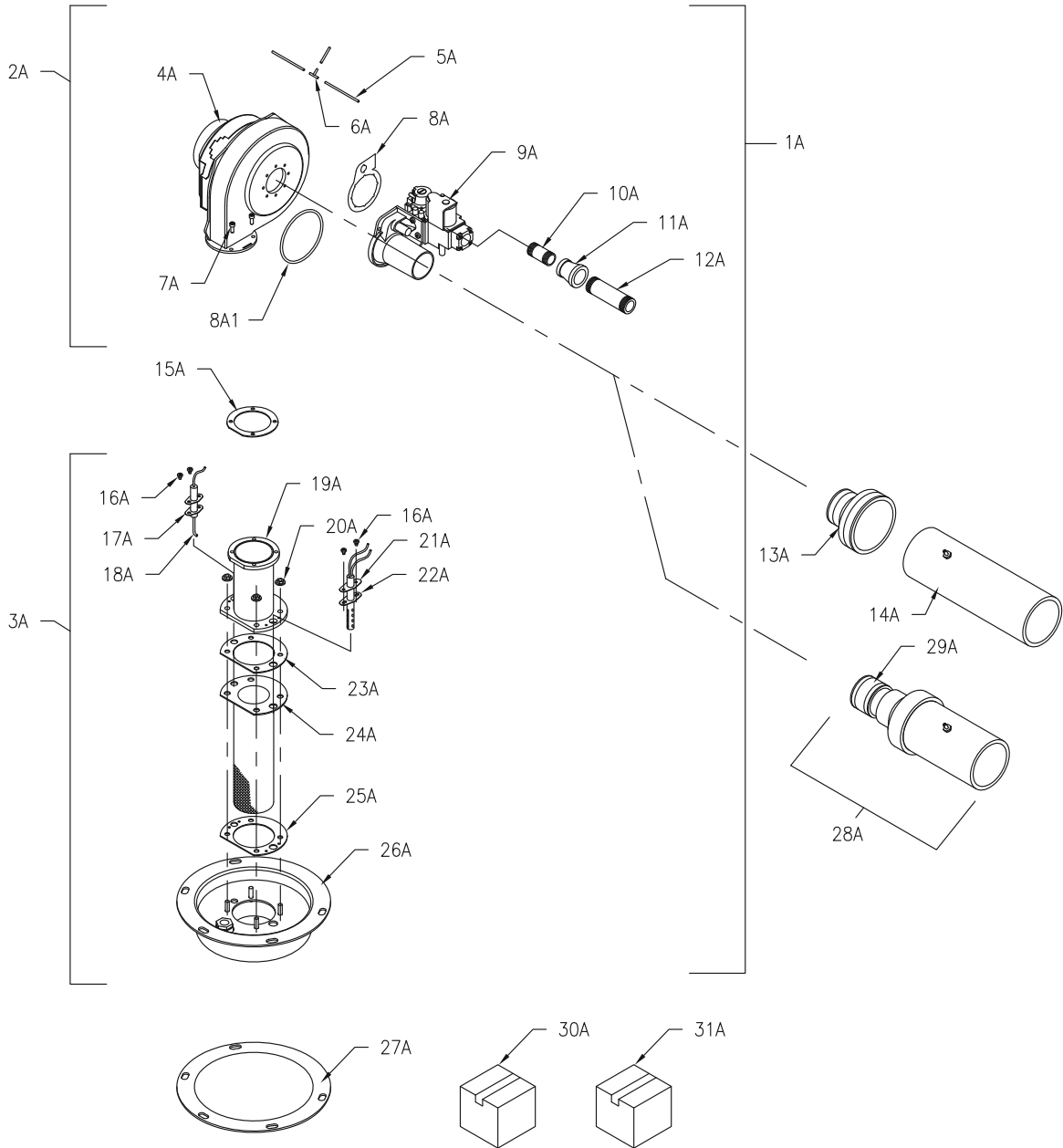
Item	Description	Model	Model	Model	Model	Model
		EF100T150(E)*(N,X)(A)(2)	EF100T199(E)*(N,X)(A)(2)	EF100T250(E)*(N,X)(A)(2)	EF100T300(E)*(N,X)(A)(2)	EF100T399(E)*(N,X)(A)2
27	Screw 5/16 - 18 x 1/2	239-82166-00	239-82166-00	239-82166-00	239-82166-00	239-82166-00
25A	Cleanout Cover (ASME)	205-32941-00	205-32941-00	205-32941-00	205-32941-00	205-32941-00
26A	Cleanout Gasket (ASME)	205-32942-00	205-32942-00	205-32942-00	205-32942-00	205-32942-00
27A	Screw 5/16 - 18 x 1/2 (ASME)	239-32970-00	239-32970-00	239-32970-00	239-32970-00	239-32970-00
28	Clean Out Access Cover	243-20299-00	243-20299-00	243-20299-00	243-20299-00	243-20299-00
29	Inlet tube Hydrojet (front connect)	229-44375-00	229-44375-00	229-44375-00	229-44375-00	229-44375-00
30	Drain Valve Brass (no handle)	265-42351-02	265-42351-02	265-42351-02	265-42351-02	265-42351-02
31	Coaxial Vent Terminal Horz./Vert. 3"	239-44069-01	239-44069-01	239-44069-01	239-44069-01	239-44069-01
32	ASSE Approved Mixing Valve	239-43740-02	239-43740-02	239-43740-02	239-43740-02	239-43740-02
33	Silicone Tubing 3/16" I.D.	239-41718-00	239-41718-00	239-41718-00	239-41718-00	---
34	Exhaust Escutcheon	239-43997-00	239-43997-00	239-43997-00	239-43997-00	239-43997-00
35	Elbow 1-1/2 NPT Galvanized (serial prior to AB)	239-43374-00	239-43374-00	239-43374-00	239-43374-00	---
36	Horizontal Inlet/Outlet nipple (serial prior to AB)	229-40913-01	229-40913-01	229-40913-01	229-40913-01	---
37	Vertical Outlet Nipple (serial prior to AB)	229-41573-02	229-41573-02	229-41573-02	229-41573-02	---
38	Cold Water Inlet Dip Tube (serial prior to AB)	229-43192-06	229-43192-06	229-43192-06	229-43192-06	---

\* Applies to all warranties

# A420 Anode may need to be cut to length

Note: Service panel bracket no longer available.  
Replace with external pressure switch kit for  
serials prior to AA.

COMBUSTION SYSTEM ASSEMBLY





## Combustion System Assembly

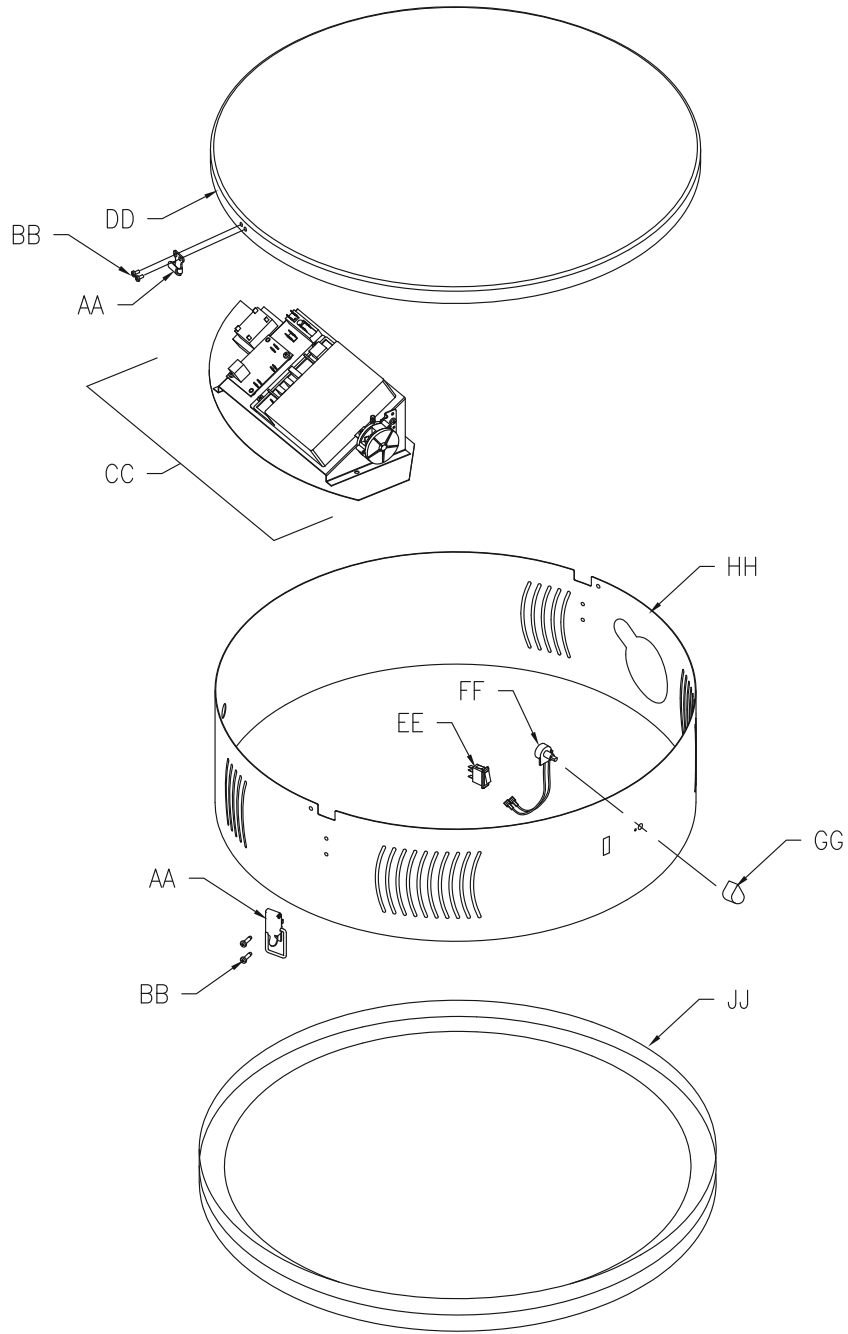
Item	Description	Model	Model	Model	Model	Model
		EF100T150(E)*(N,X)(A)(2)	EF100T199(E)*(N,X)(A)(2)	EF100T250(E)*(N,X)(A)(2)	EF100T300(E)*(N,X)(A)(2)	EF100T399(E)*(N,X)(A)2
1A	Combustion System Assembly Complete (Natural):	265-47153-01	265-46025-05	265-46026-07	265-46025-09	243-46156-01
	Combustion System Assembly Complete (LP):	265-47153-02	265-46025-06	265-46025-08	265-46025-10	243-46156-02
2A	Blower/Gas valve Assembly (Natural):	265-47152-01	243-46010-01	243-46010-03	243-46010-05	243-46153-01
	Blower/Gas valve Assembly (LP)	265-47152-02	243-46010-02	243-46010-04	243-47601-06	243-46153-02
3A	Burner Assembly	243-46023-00	243-46023-00	243-46024-00	243-46024-00	243-46024-00
4A	Blower-EBM (with gasket)	265-44037-00 <sup>1</sup>	239-43229-00	265-43229-00	265-43229-00	265-46098-00
	Blower-EBM	265-43229-00 <sup>2</sup>	---	---	---	---
5A	Hose Tubing 3/16" I.D.	239-41718-00	239-41718-00	239-41718-00	239-41718-00	239-41718-00
6A	Tee Hose Connector	239-43446-00	239-43446-00	239-43446-00	239-43446-00	---
7A	Screw 10-32 x 3/4 SHCS	239-43273-00	239-43273-00	239-43273-00	239-43273-00	239-43273-00
8A	Gasket Venturi to blower	239-44654-00	239-44654-00	239-44654-00	239-44654-00	---
8A1	O-ring Venturi to Blower	---	---	---	---	239-46232-00
9A	Gas valve assembly (Natural):	265-47151-00	243-46007-02	243-46007-03	243-46007-04	243-46151-01
	Gas valve assembly (LP):	265-47154-00	243-46008-02	243-46008-03	243-46008-04	243-46151-02
10A	Nipple 1/2 NPT x 3"	239-37047-00	239-37047-00	239-37047-00	239-37047-00	239-31811-00
11A	Reducer 3/4 x 1/2 NPT	239-04474-00	239-04474-00	239-04474-00	239-04474-00	239-46144-00
12A	Nipple 3/4 NPT x 6"	239-43373-00	239-43373-00	239-43373-00	239-43373-00	239-81595-00
13A	2" x 3" Dia. Flex Reducer	239-40902-00	239-40902-00	239-40902-00	239-40902-00	---
14A	Inlet Tube (PVC)	239-43364-01	239-43364-01	239-43364-01	239-43364-01	---
15A	Gasket Blower Transition	239-43241-00	239-43241-00	239-43241-00	239-43241-00	239-43241-00
16A	Screw 8-32 x 1/4 RHCR	239-43272-00	239-43272-00	239-43272-00	239-43272-00	239-43272-00
17A	Gasket Flame Sensor	239-43371-00	239-43371-00	239-43371-00	239-43371-00	239-43371-00
18A	Flame Sensor W/Gasket	265-43232-00	265-43232-00	265-43232-00	265-43232-00	265-43232-00
19A	Weldment -Blower Transition	239-43201-00	239-43201-00	239-43201-00	239-43201-00	239-43201-00
20A	Nut Hex Washer	239-43297-00	239-43297-00	239-43297-00	239-43297-00	239-43297-00
21A	Hot Surface Igniter W/Gasket	265-45543-00	265-45543-00	265-45543-00	265-45543-00	265-45543-00
22A	Gasket-Hot Surface Igniter	239-43370-00	239-43370-00	239-43370-00	239-43370-00	239-43370-00
23A	Burner Mounting Gasket	239-43246-00	239-43246-00	239-43246-00	239-43246-00	239-43246-00
24A	Burner Tube with gasket	228-45624-00	228-45624-00	228-46019-00	228-46019-00	228-46019-00
25A	Burner Mounting Gasket	239-43246-00	239-43246-00	239-43246-00	239-43246-00	239-43246-00
26A	Burner Mounting Insert	239-43167-00	239-43167-00	239-43167-00	239-43167-00	239-43167-00
27A	Gasket-burner Mounting Insert	239-43197-00	239-43197-00	239-43197-00	239-43197-00	239-43197-00
28A	Assembly Air Inlet Piping	---	---	---	---	239-46147-00
29A	Coupling-Flexible 2" x 2"	---	---	---	---	239-46146-00
30A	Gas Regulator Kit (optional)	243-45517-01	243-45517-01	243-45517-01	243-45517-01	---
31A	LP to Natural Gas Conversion Kit (optional):	265-46391-02	265-46391-02	265-46391-03	265-46391-03	265-46391-05

\* Applies to all warranties

<sup>1</sup> For serial AH5039100 & after.

<sup>2</sup> For serial prior to AH5039100.

COMBUSTION SURROUND ASSEMBLY



## Combustion Surround Assembly

Item	Description	Model	Model	Model	Model	Model
		EF100T150(E)*(N,X)(A)(2)	EF100T199(E)*(N,X)(A)(2)	EF100T250(E)*(N,X)(A)(2)	EF100T300(E)*(N,X)(A)(2)	EF100T399(E)*(N,X)(A)2
AA	Keeper Latch & Catch	239-43239-00	239-43239-00	239-43239-00	239-43239-00	239-43239-00
BB	Screw 8-32 x 1/2 RHCR	239-41715-00	239-41715-00	239-41715-00	239-41715-00	239-41715-00
CC	Ignition Control assembly	See Page 20	See Page 20	See Page 20	See Page 20	See Page 20
DD	Jacket Head	243-43240-02	243-43240-02	243-43240-02	243-43240-02	243-43240-02
EE	Main Power Switch	239-43234-00	239-43234-00	239-43234-00	239-43234-00	239-43234-00
FF	Temperature control potentiometer	233-82054-00	233-82054-00	233-82054-00	233-82054-00	233-82054-00
GG	Knob-Temperature Control	239-43235-00	239-43235-00	239-43235-00	239-43235-00	239-43235-00
HH	Combustion Surround Front Connect <sup>1</sup>	243-46148-00-01	243-46148-00-01	243-46148-00-01	243-46148-00-01	243-46148-00-01
HH	Combustion Surround Top Connect <sup>2</sup>	239-43261-00-01	239-43261-00-01	239-43261-00-01	239-43261-00-01	239-43261-00-01
JJ	Combustion Surround Base	243-43710-00-01	243-43710-00-01	243-43710-00-01	243-43710-00-01	243-43710-00-01

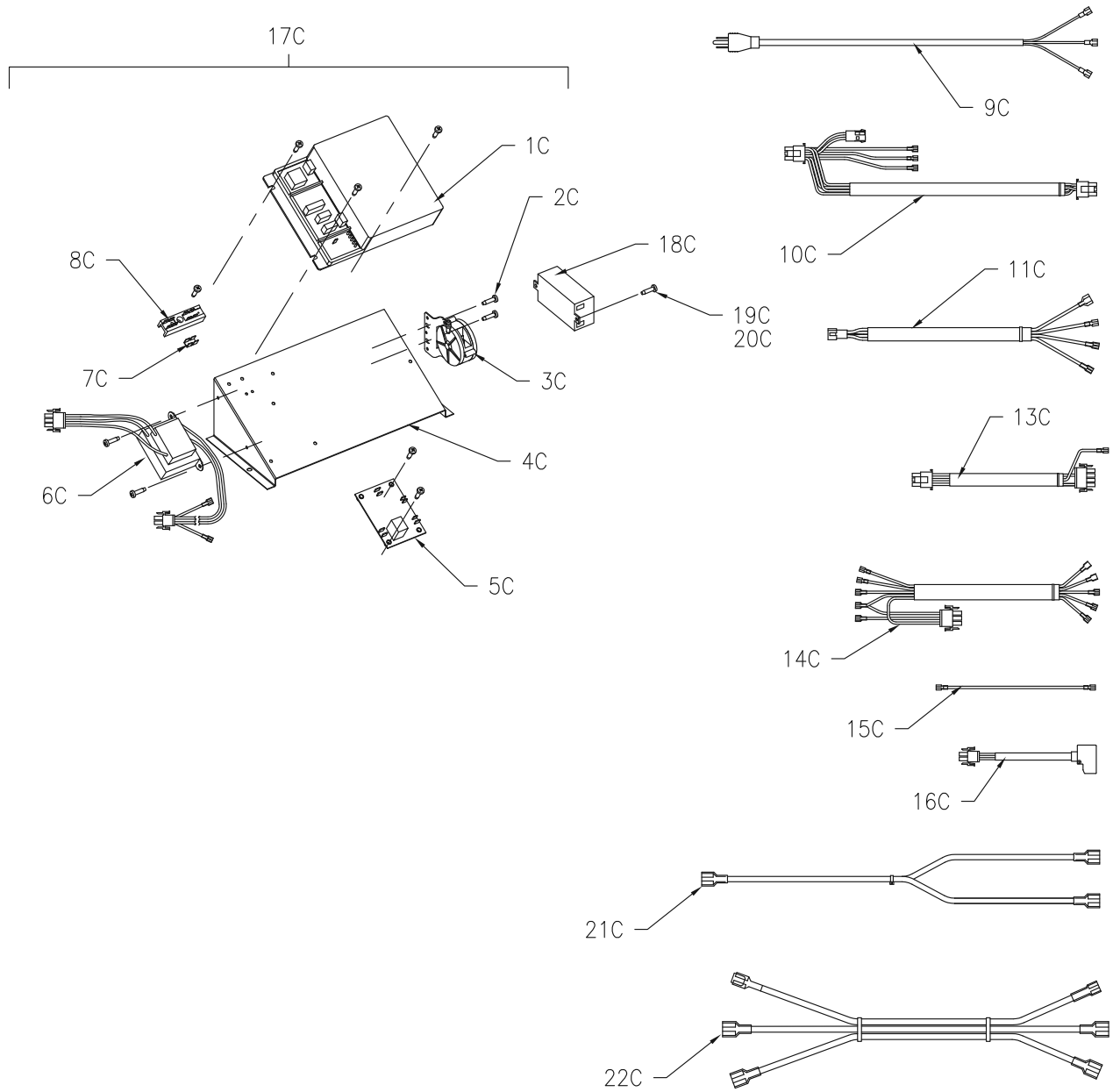
\* Applies to all warranties

# A420 Anode may need to be cut to length

<sup>1</sup> All 60 gal. Models, 100 gal models after serial AA

<sup>2</sup> 100 gal. Models prior to serial AB

# IGNITION CONTROL ASSEMBLY



## Ignition Control Assembly

Item	Description	Model	Model	Model	Model	Model
		EF100T150(E)*(N,X)(A)(2)	EF100T199(E)*(N,X)(A)(2)	EF100T250(E)*(N,X)(A)(2)	EF100T300(E)*(N,X)(A)(2)	EF100T399(E)*(N,X)(A)2
1C	Electronic Control Module	233-46045-00	233-46045-00	233-46045-00	233-46045-00	233-46045-00
2C	Screw #8-32 x 1/2 (10 reqd)	239-41715-00	239-41715-00	239-41715-00	239-41715-00	---
3C	Vacuum Switch-Intake <sup>1</sup>	239-44724-01	239-44724-01	239-44724-01	239-44724-01	---
4C	Control Mounting Panel	239-43268-00	239-43268-00	239-43268-00	239-43268-00	239-43268-00
5C	Thermostat Board	233-41346-00	233-41346-00	233-41346-00	233-41346-00	233-41346-00
6C	Transformer	233-43346-00	233-43346-00	233-43346-00	233-43346-00	233-43346-00
7C	Ground Terminal	239-80112-00	239-80112-00	239-80112-00	239-80112-00	239-80112-00
8C	Terminal Strip	239-80373-00	239-80373-00	239-80373-00	239-80373-00	239-80373-00
9C	Power Cord	239-44466-00	239-44466-00	239-44466-00	239-44466-00	239-44466-00
10C	Wire Harness-Electronic Control Module:	---	---	---	---	---
	Serial CE7818523 & after	239-43290-00	239-43290-00	239-43290-00	239-43290-00	239-43290-00
	Serial Prior to CE7818523	Call Tech Support	Call Tech Support	Call Tech Support	Call Tech Support	Call Tech Support
11C	Wire Harness-Thermostat & ECO	239-43291-00	239-43291-00	239-43291-00	239-43291-00	239-43291-00
13C	Wire Harness-Blower	239-43292-00	239-43292-00	239-43292-00	239-43292-00	239-43292-00
14C	Wire Harness-Power Switch	239-43347-00	239-43347-00	239-43347-00	239-43347-00	239-43347-00
15C	Wire-Flame Sensor	239-38951-59	239-38951-59	239-38951-59	239-38951-59	239-38951-59
16C	Wire Harness-Gas Valve Rectifier	239-43571-00	239-43571-00	239-43571-00	239-43571-00	239-46158-00
17C	Ignition Control Assembly	243-43288-00	243-43288-00	243-43288-00	243-43288-00	243-46249-00
18C	Potentiostat for Power Anode	---	---	---	---	239-46229-00
19C	Screw #4-40 x 3/8 RHCR (2 reqd)	---	---	---	---	239-46061-00
20C	Nut #4-40 Hex Keps (2 reqd)(not shown)	---	---	---	---	239-22263-00
21C	Harness Power Anode	---	---	---	---	239-46070-00
22C	Harness Power Anode Control	---	---	---	---	239-46247-00

<sup>1</sup> Models prior to serial CE7818523 only







# **BRADFORD WHITE®**

W A T E R H E A T E R S

Ambler, PA

For U.S. and Canada field service,  
contact your professional installer or  
local Bradford White sales representative.

**Sales/800-523-2931**  
**Fax/215-641-1670**  
**Parts Fax/215-641-2180**

**Technical Support/800-334-3393**  
**Fax/269-795-1089**

**Warranty/800-531-2111**  
**Fax/269-795-1089**

**International:**  
**Telephone/215-641-9400**  
**Telefax/215-641-9750**



# **BRADFORD WHITE-CANADA® INC.**

Mississauga, ON

**Sales/866-690-0961**  
**905-238-0100**

**Fax/905-238-0105**

**Technical Support/800-334-3393**

**Email**

**parts@bradfordwhite.com**  
**techserv@bradfordwhite.com**

**www.bradfordwhite.com**