



COMMERCIAL ELECTRIC ENERGY SAVER PARTS LIST

Light Duty Three Element (E32) Models

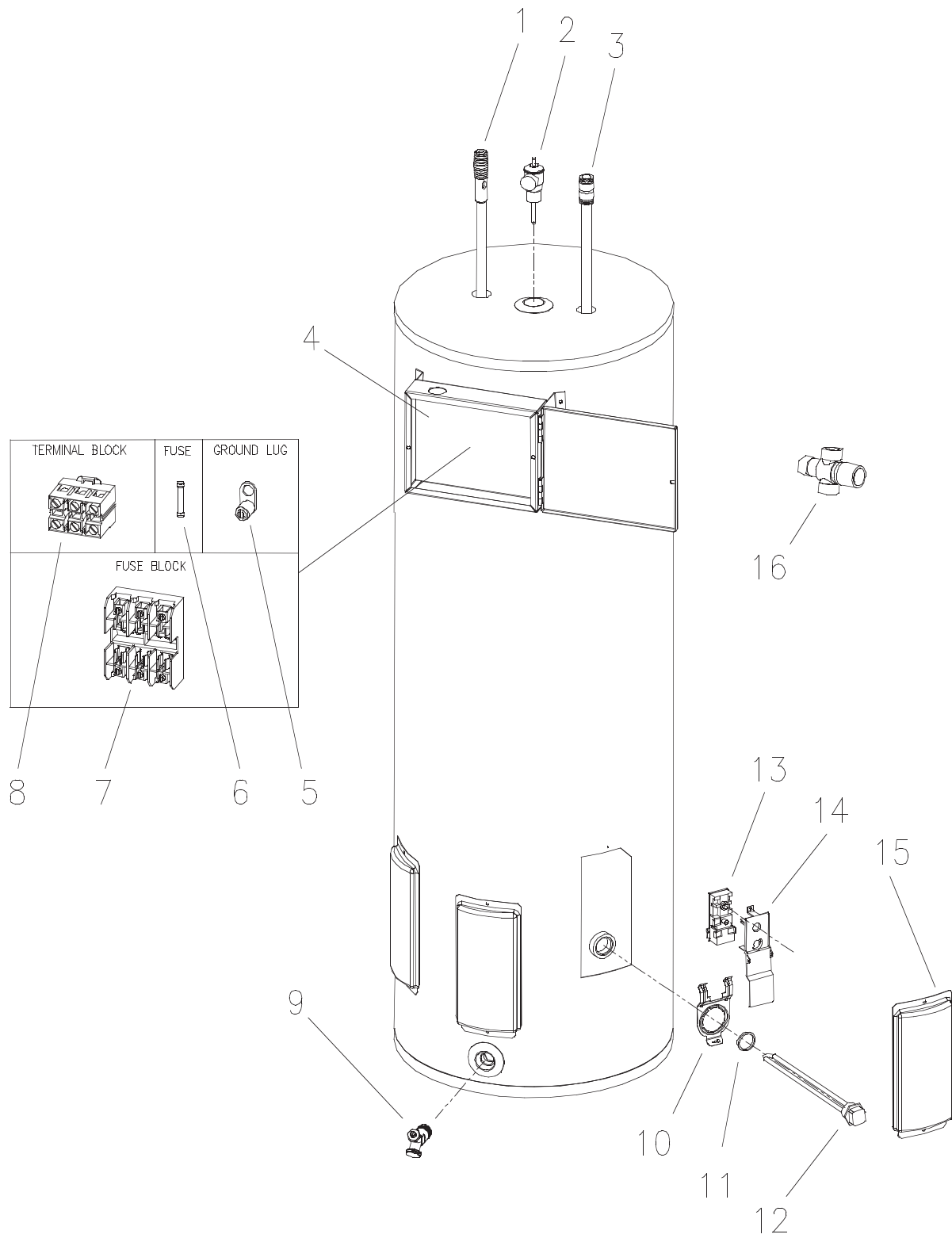


Includes Hydrojet® Total Performance System

*Effective: July 1, 2003
ECO 6688-2*

NOTE: BOTH MODEL AND SERIAL NUMBERS ARE REQUIRED FOR ORDERING REPLACEMENT PARTS

Dimensions and specification subject to change without notice.



Reference Number & Description

1	Hot Water Outlet/Anode, Magnesium	9	Brass Drain Valve (No Wheel)
2	T&P Relief Valve	10	Thermostat Bracket
3	Cold Water Inlet Tube (Hydrojet)	11	Element Gasket
4	Control Box with Cover	12	Heating Element
5	Ground Lug	13	Thermostat
6	Fuse	14	Thermostat Protector
7	Fuse Block	15	Access Cover
8	Terminal Block	16	Tempering Valve

Parts Common To E32-50S, E32-80R, E32-120R

Reference Number and Description	Part Number
2 T&P Relief Valve	265-32920-01
4 Control Box with Cover	239-43888-00
5 Ground Lug	264-32251-00
6 Fuse	264-44364-00
7 Fuse Block	264-44365-00
8 Terminal Block	239-43890-00
9 Brass Drain Valve	227-42351-02
10 Thermostat Bracket	239-36367-00
11 Element Gasket	223-34019-00
13 Thermostat	219-41853-00
14 Thermostat Protector	223-40397-00
15 Access Cover	243-36618-02

Optional Parts Reference Number and Description

16 Tempering Valve	239-43740-01
--------------------	--------------

Parts Unique To E32-50S

Reference Number and Description	Part Number
1 Hot Water Outlet/Anode (magnesium)	224-32731-94
3 Cold Water Inlet Dip Tube (Hydrojet)	229-39625-15
12 Incoloy Heating Element	See Page 4

Parts Unique To E32-80R

Reference Number and Description	Part Number
1 Hot Water Outlet/Anode (magnesium)	224-32731-87
3 Cold Water Inlet Dip Tube (Hydrojet)	229-39625-16
12 Incoloy Heating Element	See Page 4

Parts Unique To E32-120R

Reference Number and Description	Part Number
1 Hot Water Outlet/Anode (magnesium)	224-32731-87
3 Cold Water Inlet Dip Tube (Hydrojet)	229-39625-16
12 Incoloy Heating Element	See Page 4

Parts Unique To All 18 KW, 208 Volt, Single Phase Models

Reference Number and Description	Part Number
6 Fuse	264-32267-00
7 Fuse Block	264-32264-00

HEATING ELEMENT TABLE For Selection of Item 12

<u>Total Heater KW</u>	<u>Element Wattage</u>	<u>Item 12, Incoloy Heating Element</u>		
		<u>208 Volts</u>	<u>240 Volts</u>	<u>480 Volts</u>
6	2000	265-42545-03	265-42545-02	220-42553-01
9	3000	265-42545-06	265-42545-04	220-42553-02
12	4000	265-42545-09	265-42545-06	220-42553-03
13.5	4500	265-42545-10	265-42545-07	220-42553-04
15	5000	220-42543-01	265-42545-08	220-42553-05
18	6000	220-42543-03	265-42545-10	220-42553-07

1. Obtain total heater KW and Voltage from heater rating plate.
2. Locate total heater KW from table above that matches total heater KW.
3. Move across the table (to the right) to heating element matching the required voltage.

AVAILABLE CONVERSION KITS

<u>Total Heater KW</u>	<u>Element Wattage</u>	<u>Conversion Kits</u>		
		<u>208 Volts</u>	<u>240 Volts</u>	<u>480 Volts</u>
6	2000	243-43942-13	243-43942-07	243-43942-01
9	3000	243-43942-14	243-43942-08	243-43942-02
12	4000	243-43942-15	243-43942-09	243-43942-03
13.5	4500	243-43942-16	243-43942-10	243-43942-04
15	5000	243-43942-17	243-43942-11	243-43942-05
18	6000	N/A	243-43942-12	243-43942-06

1. Locate total heater KW as required.
2. Move across the table (to the right) to conversion kit matching the required voltage.



BRADFORD WHITE[®]
C O R P O R A T I O N

Ambler, PA

Sales/800-538-2020
800-532-4020
Fax/215-641-1670

Service/800-334-3393
Fax/269-795-1089

Warranty/800-531-2111
Fax/269-795-1089

International:
Telephone/215-641-9400
Telefax/215-641-9750

Fax on Demand:
888-538-7833



BRADFORD WHITE-CANADA[™] *INC.*

Mississauga, ON

Sales/866-690-0961
905-238-0100

Fax/905-238-0105

Service/800-334-3393

Email

parts@bradfordwhite.com
techserv@bradfordwhite.com

bradfordwhite.com
bradfordwhitecanada.com