


BRADFORD WHITE[®]
W A T E R H E A T E R S

RESIDENTIAL REPLACEMENT PARTS LIST

**Combi2™ Gas Water Heater
CDW2 Series**



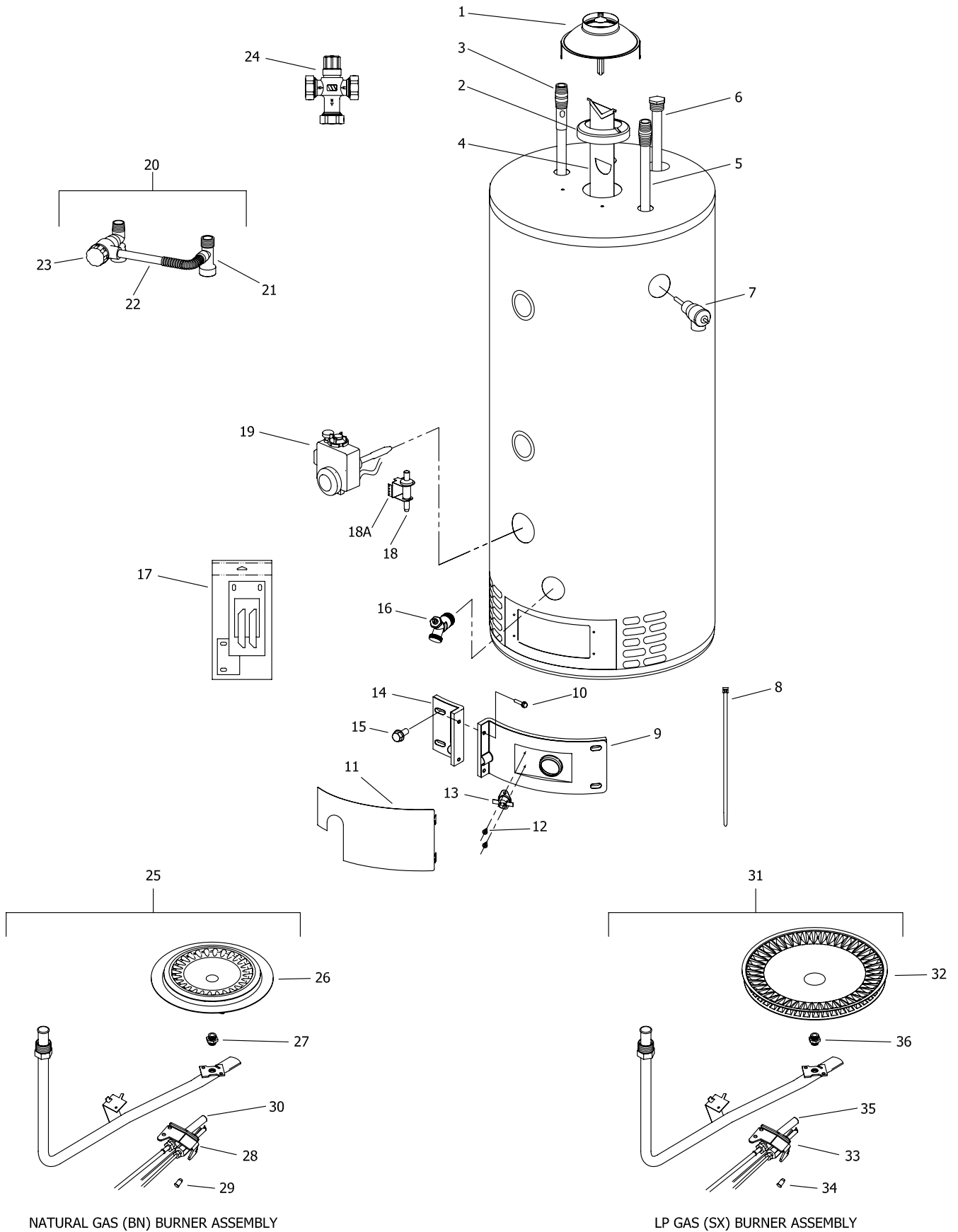
DEFENDER
SAFETY SYSTEM[®]
(50-Gallon Model Only)

Includes Hydrojet[®]
Total Performance System

***Effective: July 25, 2008
ECO 7291-2***

**NOTE: BOTH MODEL AND SERIAL
NUMBERS ARE REQUIRED FOR
ORDERING REPLACEMENT PARTS**

Dimensions and specifications
subject to change without notice.



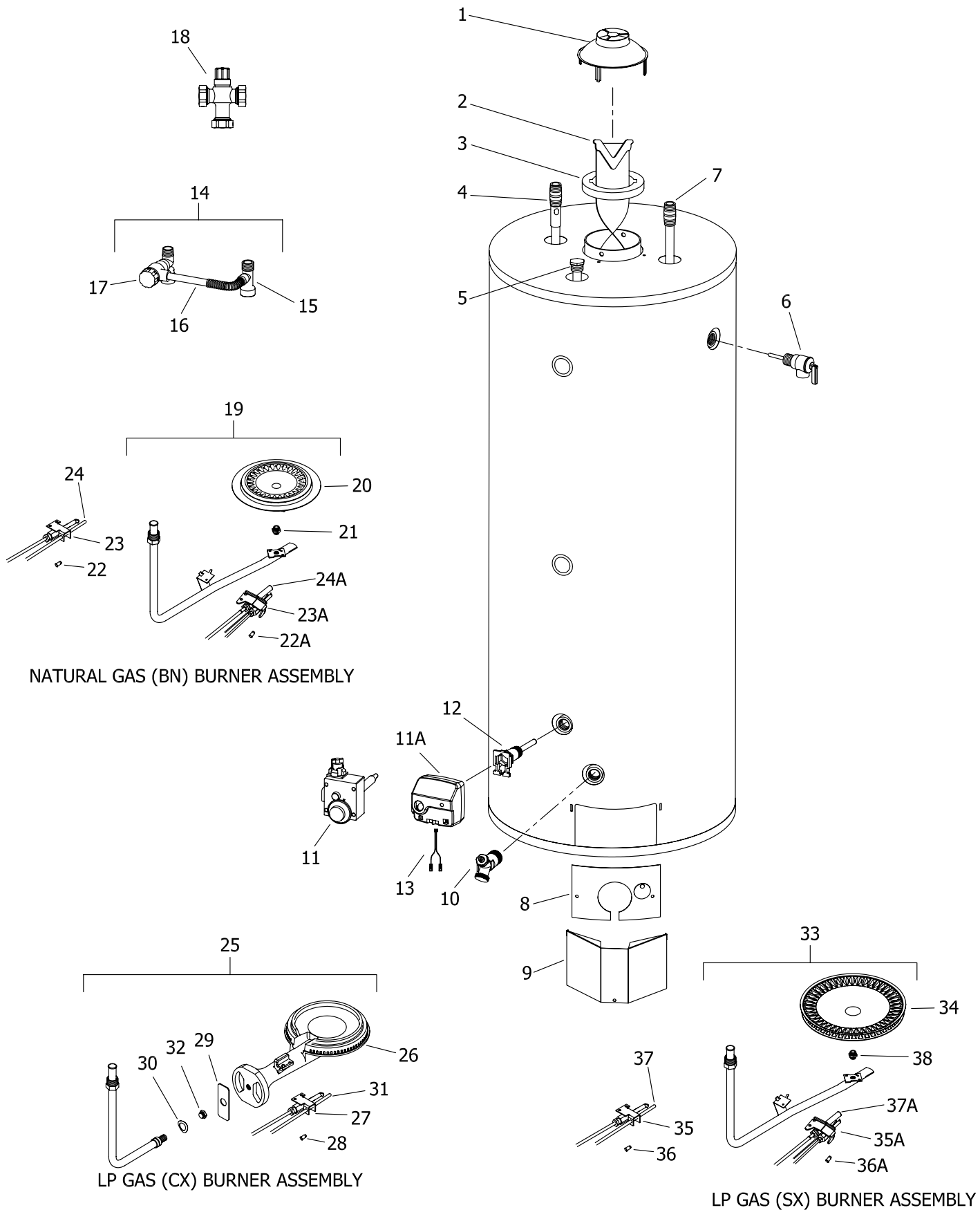
LP GAS (SX) BURNER ASSEMBLY TO REPLACE LP GAS (CX) BURNER ASSEMBLY
ON ALL MODELS EXCEPT 75 & 100 GAL. MODELS

Item	Description	Model
		CDW2504T10F(BN,CX,SX)
1	Draft Hood	243-33081-02-20
2	Flue Reducer	243-36920-00
3	Hot Water Outlet Anode Aluminum	224-32999-30
4	Flue Baffle	243-41037-00
5	Cold Water Inlet Dip Tube Polysulfone	229-39628-19
6	Plug Type Anode Aluminum	224-38508-03
7	T&P Relief Valve	230-40594-02
8	Wire Tie	239-44328-00
9	Right Side Inner Door Complete ♦	239-43963-07
10	Screw-#8-18 x 3/4 HWH	239-44195-00
11	Outer Door	243-43962-00
12	Screw-#6-20 x 3/8 PHCR	239-43967-00
13	Resettable Thermal Switch	239-43676-02
14	Left Side Inner Door Complete	239-43968-18
15	Screw-#10-12 x 3/4 HWH	239-44113-00
16	Brass Drain Valve	265-42351-02
17	Inner Door Gasket Kit	239-44078-00
18	Piezo Igniter	239-43448-00
18A	Piezo Bracket White Rodgers	239-46157-02
	Piezo Bracket Robertshaw	239-46157-01
19	White Rodgers Combination Gas Valve Natural Gas	265-46367-02
	White Rodgers Combination Gas Valve LP Gas	265-46368-03
20	Kit-Integrated Mixing Device (The Optimizer)	239-46225-01
21	Inlet Tee (The Optimizer)	239-45632-00
22	Flexible Connector (The Optimizer)	239-46347-02
23	Outlet Mixing Device (The Optimizer)	239-45631-00
24	ASSE Approved Mixing Valve (Optional)	239-43740-01
	Natural Gas BN Burner Assembly	
25	Nat. Gas Burner Assembly Complete**	265-47439-05-27
26	Nat. Gas BN Burner**	228-42506-00
27	Nat. Gas Main Burner Orifice*	234-41034-27
	Nat. Gas High Altitude 2000 Ft. to 5000 Ft.*	234-41034-29
	Nat. Gas High Altitude 5000 Ft. to 8000 Ft.*	234-41034-30
	Nat. Gas High Altitude Over 8000 Ft.*	234-41034-31
28	Nat. Gas Pilot Assembly*	233-40248-04
29	Nat. Gas Pilot Orifice*	234-46502-05
30	Thermocouple*	233-46501-15
	LP Gas SX Burner Assembly Replacement for LP Gas CX Cast Iron Burner	
31	LP Gas Burner Assembly Complete**	265-47440-08-43
32	LP Gas SX Burner*	228-47000-00
33	LP Gas Pilot Assembly*	233-40261-02
34	LP Gas Pilot Orifice*	234-46502-05
35	Thermocouple*	233-46501-24
36	LP Gas Main Burner Orifice*	234-47064-43
	LP Gas High Altitude 2000 Ft. to 5000 Ft.*	234-47064-44
	LP Gas High Altitude 5000 Ft. to 8000 Ft.*	234-47064-47
	LP Gas High Altitude Over 8000 Ft.*	234-47064-48
	LP to Natural Gas Conversion Kit (Norm Alt.)	265-45712-25
	LP to Natural Gas Conversion Kit (High Alt.)	265-45712-26

* Inner door gasket kit (item 17) recommended.

** Ordering a complete burner assembly may increase delivery time. Please order the specific component required for the quickest delivery.

♦ Includes item 13.



LP GAS (SX) BURNER ASSEMBLY TO REPLACE LP GAS (CX) BURNER ASSEMBLY
ON ALL MODELS EXCEPT 75 & 100 GAL. MODELS

Item	Description	Model C(D,S)W275T10(BN,CX,SX)
1	Draft Hood	239-12950-00
2	Flue Baffle	243-39975-00
3	Flue Reducer	243-36920-00
4	Hot Water Outlet Anode Aluminum	224-32999-21
5	Plug Type Anode Aluminum	224-38508-03
6	T&P Valve	230-40594-02
7	Cold Water Inlet Dip Tube	229-45092-01
8	Inner Door	243-39207-00
9	Outer Door	243-37177-00
10	Brass Drain Valve	227-42351-02
11	White Rodgers Combination Gas Valve Natural Gas	265-46365-02 °
	White Rodgers Combination Gas Valve LP Gas	265-46366-02 °
11A	Honeywell Combination Gas Valve Natural Gas	265-46990-02 ¹
	Honeywell Combination Gas Valve LP Gas	265-46991-02 ¹
12	Thermowell	239-45651-02 ¹
13	Intermediate Harness	239-46995-00 ¹
14	Kit integrated Mixing Device	239-46225-01
15	Inlet Tee	239-45632-00
16	Flexible Connector	239-46347-02
17	Outlet Mixing Device	239-45631-00
18	ASSE Approved Mixing Valve (Optional)	239-43740-01
	Natural Gas BN Burner Assembly	
19	Nat. Gas Burner Assembly Complete**	265-46998-01-22 ¹
	Nat. Gas Burner Assembly Complete**	265-43979-03-22 °
20	Nat. Gas BN Burner**	228-42506-00
21	Nat. Gas Main Burner Orifice	234-41034-22
	Nat. Gas High Altitude 2000 Ft. to 5000 Ft.	234-41034-26
	Nat. Gas High Altitude 5000 Ft. to 8000 Ft.	234-41034-26
	Nat. Gas High Altitude Over 8000 Ft.	234-41034-30
22	Nat. Gas Pilot Orifice (White Rodgers)	234-46502-05 °
22A	Nat. Gas Pilot Orifice (Honeywell)	234-47098-01 ¹
23	Nat. Gas Pilot (White Rodgers)	233-46277-03 °
23A	Kit-Nat. Gas Pilot Assembly (Honeywell)	239-47492-01 ¹
24	Thermocouple (White Rodgers)	233-46501-24 °
24A	Kit-Thermopile (Honeywell)	239-47446-00 ¹
	LP Gas CX Burner Assembly	
25	LP Gas Burner Assembly Complete**	265-41876-24-38
26	LP Gas Cast Iron Burner	228-14173-00
27	LP Gas Pilot Assembly (White Rodgers)	233-40261-03 °
28	LP Gas Pilot Orifice (White Rodgers)	234-46502-02 °
29	Air Shutter	239-35466-00
30	Air Shutter Nut	239-18197-00
31	Thermocouple (White Rodgers)	233-46501-24 °
32	LP Gas Main Burner Orifice	234-35928-38
	LP Gas High Altitude 2000 Ft. to 5000 Ft.	234-35928-42
	LP Gas High Altitude 5000 Ft. to 8000 Ft.	234-35928-43
	LP Gas High Altitude Over 8000 Ft.	234-35928-43
	LP Gas SX Burner Assembly	
33	LP Gas SX Burner Assembly Complete**	265-47011-02-38
34	LP Gas SX Burner	228-46938-00
35	LP Gas Pilot (White Rodgers)	233-46278-03
35A	Kit-LP Gas Pilot Assembly (Honeywell)	239-47492-02 ¹
36	LP Gas Pilot Orifice (White Rodgers)	234-46502-02 °
36A	LP Gas Pilot Orifice (Honeywell)	234-47098-02 ¹
37	Thermocouple (White Rodgers)	233-46501-24 °
37A	Kit-Thermopile (Honeywell)	239-47446-00 ¹
38	LP Gas Main Burner Orifice	234-47064-38
	LP Gas High Altitude 2000 Ft. to 5000 Ft.	234-47064-42
	LP Gas High Altitude 5000 Ft. to 8000 Ft.	234-47064-43
	LP Gas High Altitude Over 8000 Ft.	234-47064-43
	LP to Natural Gas Conversion Kit (Norm Alt.)	265-45754-07
	LP to Natural Gas Conversion Kit (High Alt.)	265-45754-08

** Ordering a complete burner assembly may increase delivery time. Please order the specific component required for the quickest delivery.

° Serial # prior to EF10694503.

¹ Serial # EF10694504 and after.



BRADFORD WHITE®

W A T E R H E A T E R S

Ambler, PA

For U.S. and Canada field service,
contact your professional installer or
local Bradford White sales representative.

Sales/800-523-2931
Fax/215-641-1670
Parts Fax/215-641-2180

Technical Support/800-334-3393
Fax/269-795-1089

Warranty/800-531-2111
Fax/269-795-1089

International:
Telephone/215-641-9400
Telefax/215-641-9750



BRADFORD WHITE-CANADA® INC.

Mississauga, ON

Sales/866-690-0961
905-238-0100

Fax/905-238-0105

Technical Support/800-334-3393

Email

parts@bradfordwhite.com
techserv@bradfordwhite.com

www.bradfordwhite.com