



**RESIDENTIAL REPLACEMENT PARTS LIST**  
**Storage Tank**  
**AST 40, 50, 80 and 120 Gallon Models**

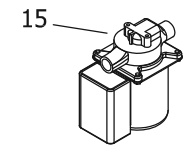
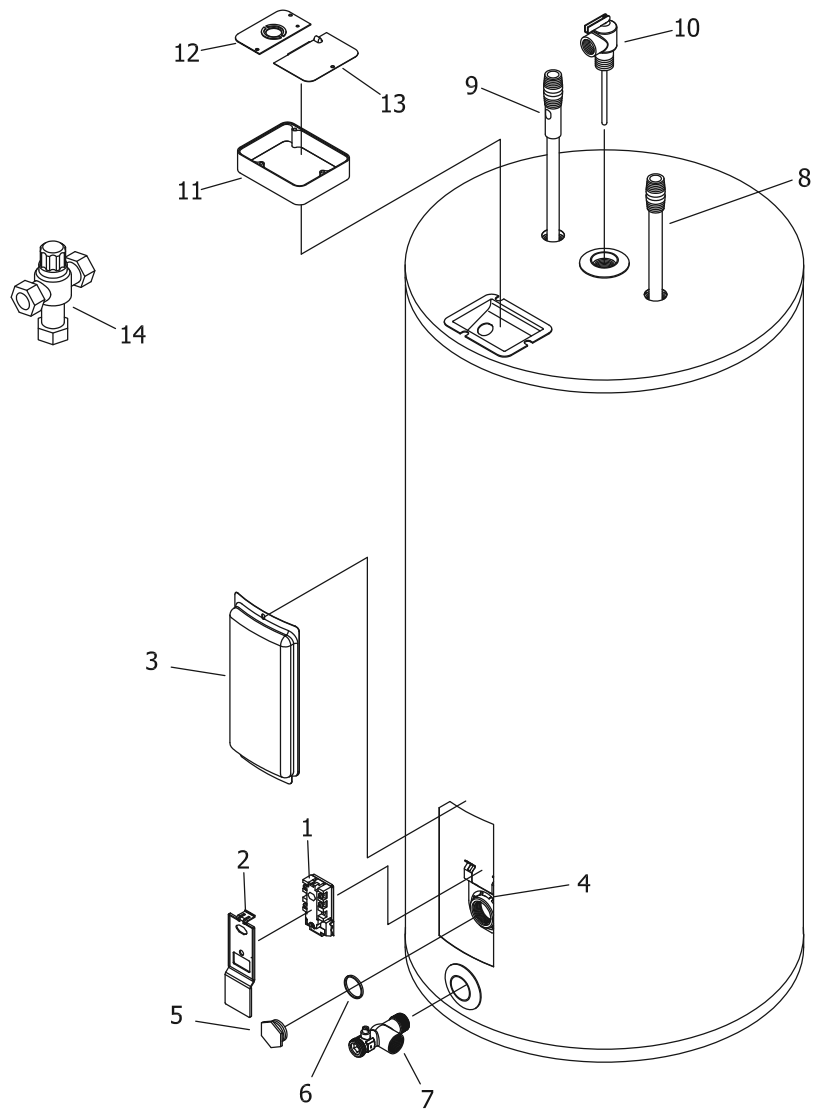


Includes Hydrojet®  
Total Performance System

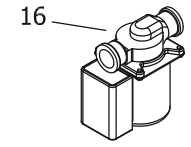
***Effective: March, 2012***  
***ECO 7496***

**NOTE: BOTH MODEL AND SERIAL  
NUMBERS ARE REQUIRED FOR  
ORDERING REPLACEMENT PARTS**

Dimensions and specifications  
subject to change without notice.



006-BC4  
120V, 1/4 HP  
1/2" NPT sweat fittings



006-BT4  
120V, 1/4 HP  
3/4" NPT pipe fittings

Item	Description	Model AST-40-6	Model AST-50-6	Model AST-80-6	Model AST-120-6
1	Thermostat	265-40694-00	265-40694-00	265-40694-00	265-40694-00
2	Thermostat Cover	223-40399-00	223-40399-00	223-40399-00	223-40399-00
3	Thermostat Access Cover	243-36618-02	243-36618-02	243-36618-02	243-36618-02
4	Thermostat Mounting Bracket	239-44479-00	239-44479-00	239-44479-00	239-44479-00
5	Tank Plug	223-34020-00	223-34020-00	223-34020-00	223-34020-00
6	Tank Plug Gasket	223-34019-00	223-34019-00	223-34019-00	223-34019-00
7	Drain/Return Plug	227-49556-02	227-49556-02	227-49556-02	227-49556-02
8	Cold Water Inlet Dip Tube, Hydro-Jet Polysulfone (NC Code)	229-39628-08	229-39628-08	229-39628-09	229-43632-04
9	Hot Water Outlet/Anode Magnesium	224-47776-05	224-47776-05	224-47776-08	224-47780-01
	Hot Water Outlet/Anode Aluminum	224-47778-04	224-47778-04	224-47778-06	---
	Hot Water Outlet/Anode (A420)#	224-49560-08	224-49560-08	224-49560-08	---
10	T&P Valve*	---	---	---	---
11	Electrical Junction Box	239-39450-00	239-39450-00	239-39450-00	239-39450-00
12	Cover/Conduit Connection	243-39451-00	243-39451-00	243-39451-00	243-39451-00
13	Junction Box Cover	243-39452-00	243-39452-00	243-39452-00	243-39452-00
14	ASSE Approved Mixing Valve	239-43740-01	239-43740-01	239-43740-01	239-43740-01
15	Taco Circulating Pump Model 006-HBC4	Field Supplied	Field Supplied	Field Supplied	Field Supplied
16	Taco Circulating Pump Model 006-HBT4	Field Supplied	Field Supplied	Field Supplied	Field Supplied

\* A combination temperature and pressure relief valve is required by code as a protective device. It is not normally supplied by the tank manufacturer as original equipment. It is traditionally provided by the installer and is shown here for replacement parts purposes. The T&P valve for these storage tanks must be rated for the BTU input of the heater of the system where installed. P/N 265-32920-01 T&P valve 3/4" NPT male thread rated to 100,000 BTU.  
# A420 Anode may need to be cut to length



# **BRADFORD WHITE®**

W A T E R H E A T E R S

Ambler, PA

For U.S. and Canada field service,  
contact your professional installer or  
local Bradford White sales representative.

**Sales/800-523-2931**  
**Fax/215-641-1670**  
**Parts Fax/215-641-2180**

**Technical Support/800-334-3393**  
**Fax/269-795-1089**

**Warranty/800-531-2111**  
**Fax/269-795-1089**

**International:**  
**Telephone/215-641-9400**  
**Telefax/215-641-9750**



# **BRADFORD WHITE-CANADA® INC.**

Mississauga, ON

**Sales/866-690-0961**  
**905-238-0100**

**Fax/905-238-0105**

**Technical Support/800-334-3393**

**Email**

**parts@bradfordwhite.com**  
**techserv@bradfordwhite.com**

**www.bradfordwhite.com**