



**RESIDENTIAL AND LIGHT DUTY
COMMERCIAL GAS REPLACEMENT PARTS LIST**

**High Performance Energy Saver (GX)
Non-Defender Energy Saver M(1,1,2)(XR)(65,75,100) Gallon
Light Duty Energy Saver**



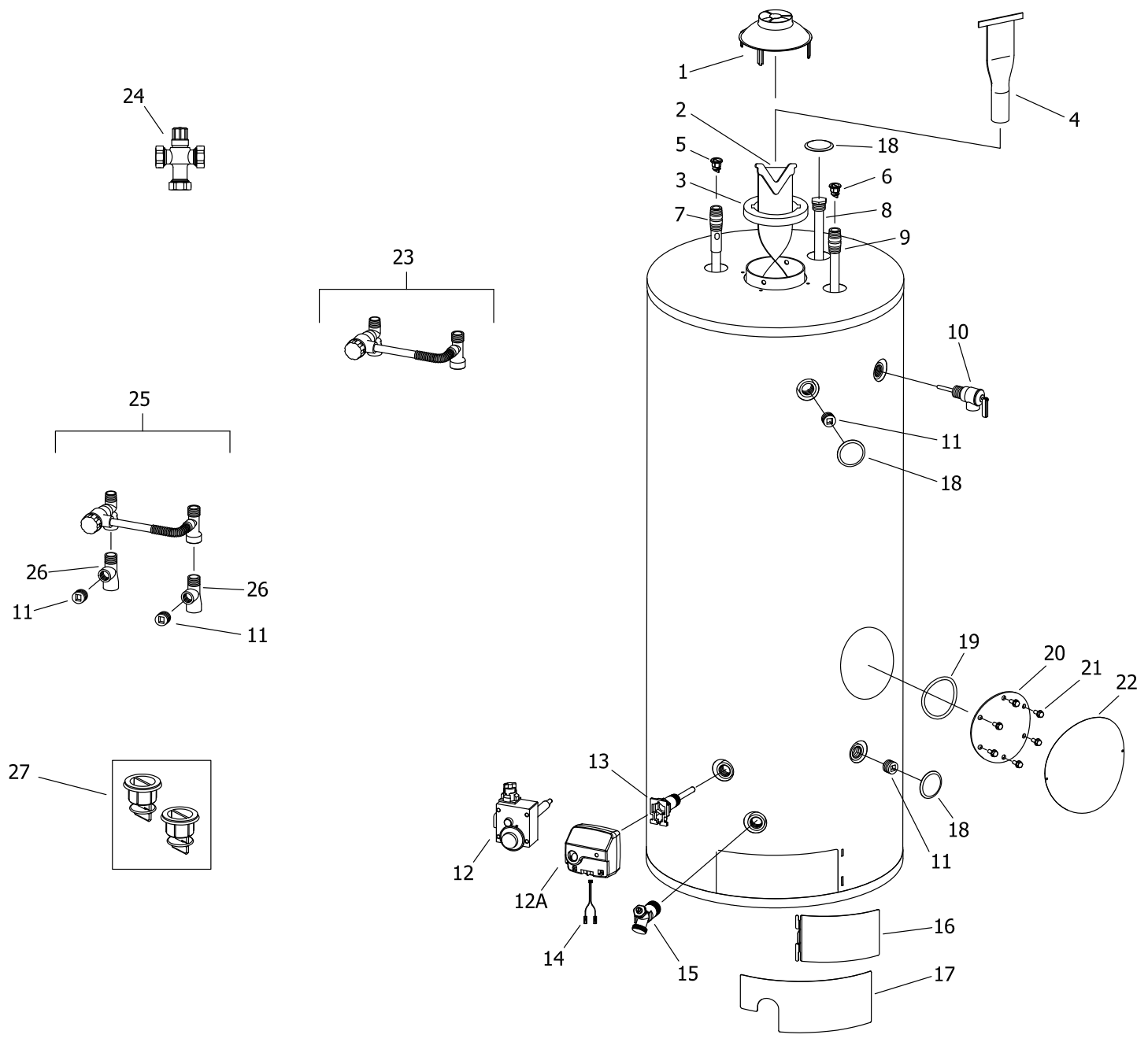
GX Model Shown

Includes Hydrojet[®]
Total Performance System

***Effective: APRIL 24, 2009
ECO 7421***

**NOTE: BOTH MODEL AND SERIAL
NUMBERS ARE REQUIRED FOR
ORDERING REPLACEMENT PARTS**

Dimensions and specifications
subject to change without notice.



| Item | Description | Model | Model | Model | Model | Model |
|------|---|-----------------|-----------------|-----------------------|---------------------------|---------------------------|
| | | GX225S*(BN,SX) | GX155S*(BN,SX) | M1XR65T*(EN,BN,SX,CX) | MI75S*(BN,SX,CX,CN) | M2XR75S*(BN,SX,CX,CN) |
| 1 | Draft Diverter | 243-33081-02-20 | 243-33081-02-20 | 243-33081-02-20 | 239-12950-00 | 239-12950-00 |
| 2 | Flue Baffle | --- | --- | 243-44649-00 | 243-42557-00 | 243-42557-00 |
| 3 | Flue Reducer | 243-42572-00 | 243-42572-00 | 243-36920-00 | 243-36920-00 | 243-36920-00 |
| 4 | Flue Core | 239-45676-00 | 239-45676-00 | --- | --- | --- |
| 5 | Heat Trap Insert (Outlet) | --- | --- | 239-45167-00 | --- | --- |
| 6 | Heat Trap Insert (Inlet) | --- | --- | 239-45073-00 | --- | --- |
| 7 | Hot Water Outlet Anode Magnesium ² | 224-32731-101 | 224-32731-101 | 224-32731-83 | --- | --- |
| | Hot Water Outlet Anode Aluminum ² | 224-32999-21 | 224-32999-21 | 224-32999-07 | --- | --- |
| | Hot Water Outlet Anode A420 Aluminum ² | 224-45147-02 | 224-45147-02 | 224-45147-01 | --- | --- |
| 8 | Plug type Anode Magnesium | 224-32758-19 | 224-32758-19 | --- | 224-32758-07 | 224-32758-07 |
| | Plug type Anode Aluminum | 224-38508-03 | 224-38508-03 | --- | 224-38508-03 | 224-38508-03 |
| 9 | Cold Water Inlet Diptube Polypropylene ³ | --- | --- | 229-39625-08 | 229-47056-01 | 229-47056-01 |
| | Cold Water Inlet Diptube Polysulfone (NC Code) ³ | 229-45092-02 | 229-45092-02 | 229-39628-08 | 229-47040-01 | 229-47040-01 |
| 10 | T&P Relief Valve | 230-40594-02 | 230-32920-01 | 230-32920-01 | 230-32920-01 | 230-40594-02 |
| 11 | 3/4" NPT Plug | 239-11638-00 | 239-11638-00 | 239-11638-00 | 239-11638-00 | 239-11638-00 |
| 12 | White Rodgers Combination Gas Valve Natural Gas | 265-47444-02 | 265-47444-01 | 265-46181-03 | 265-46181-03 ° | 265-40251-03 ° |
| | White Rodgers Combination Gas Valve LP Gas | 265-47445-02 | 265-47445-01 | 265-46182-03 | 265-40258-02 ° | 265-40258-03 ° |
| 12A | Honeywell Combination Gas Valve Natural Gas (with service tool) | --- | --- | --- | 239-46990-01 ¹ | 239-46990-01 ¹ |
| | Honeywell Combination Gas Valve LP Gas (with service tool) | --- | --- | --- | 239-46991-01 ¹ | 239-46991-01 ¹ |
| 13 | Thermowell | --- | --- | --- | 233-45651-01 ¹ | 233-45651-02 ¹ |
| 14 | Intermediate Harness | --- | --- | --- | 239-46995-00 ¹ | 239-46995-00 ¹ |
| 15 | Brass Drain Valve | 265-42351-02 | 265-42351-02 | 265-42351-02 | 265-42351-02 | 265-42351-02 |
| 16 | Inner Door Complete | 243-46049-00 | 243-46049-00 | 243-36739-02 | 243-39207-00 | 243-39207-00 |
| 17 | Outer Door | 243-41061-00 | 243-41061-00 | 243-41061-00 | 243-37177-00 | 243-37177-00 |
| 18 | Hole Closure | 239-31547-02 | 239-31547-02 | 239-31547-02 | 239-31547-02 | 239-31547-02 |
| 19 | Cleanout O-Ring Gasket | --- | --- | --- | --- | --- |
| 20 | Cleanout Cover | --- | --- | --- | --- | --- |
| 21 | Cleanout Cover Screw (Qty. 6) | --- | --- | --- | --- | --- |
| 22 | Cleanout Access Cover | --- | --- | --- | --- | --- |
| 23 | Kit-Intergrated Mixing Device (The Optimizer) | 239-46225-02 | 239-46225-02 | --- | --- | --- |
| 24 | ASSE Approved Mixing Device (optional) | --- | --- | 239-43740-01 | 239-43740-02 | 239-43740-01 |
| 25 | Kit-Alternate Temperature Water Outlet | --- | --- | --- | --- | --- |
| 26 | Street Tee 3/4" NPT | --- | --- | --- | --- | --- |
| 27 | Kit-Heat Trap Insert | --- | --- | 265-45420-00 | --- | --- |

*All warranties

**Ordering a complete burner assy may increase delivery time.

Please order the specific component req'd for the quickest delivery

° Serial # prior to EF10694503

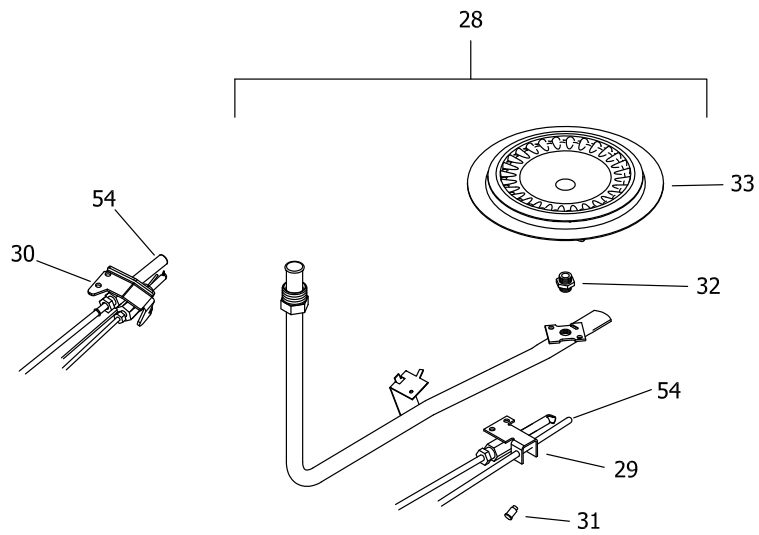
¹ Serial # EF10694504 through FD11847877

² Order with item 5

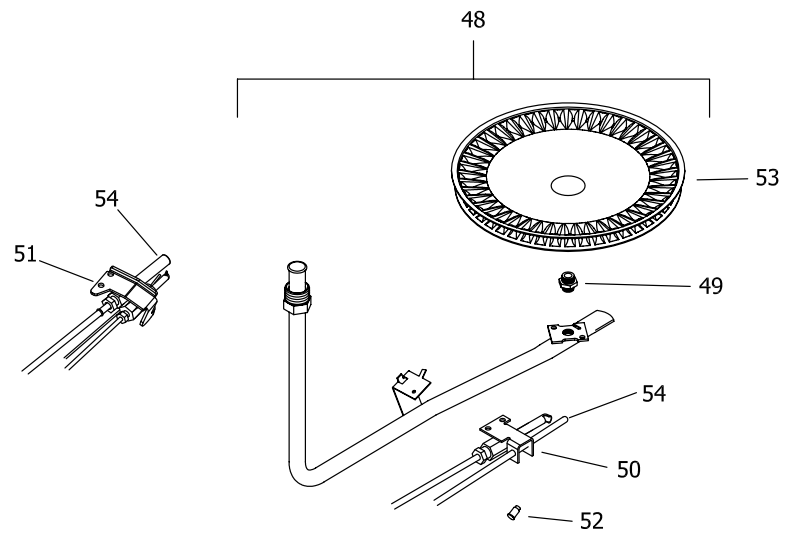
⁴ Serial # prior to FE11932653

³ Order with item 6

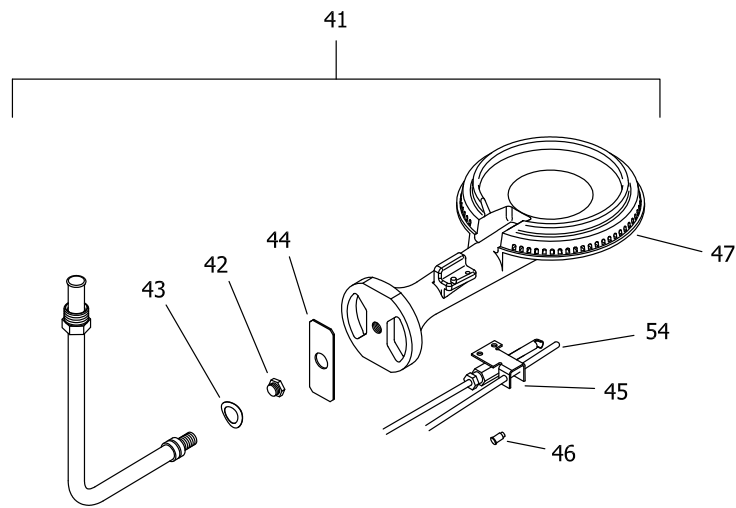
⁵ Serial # FE11932654 and after



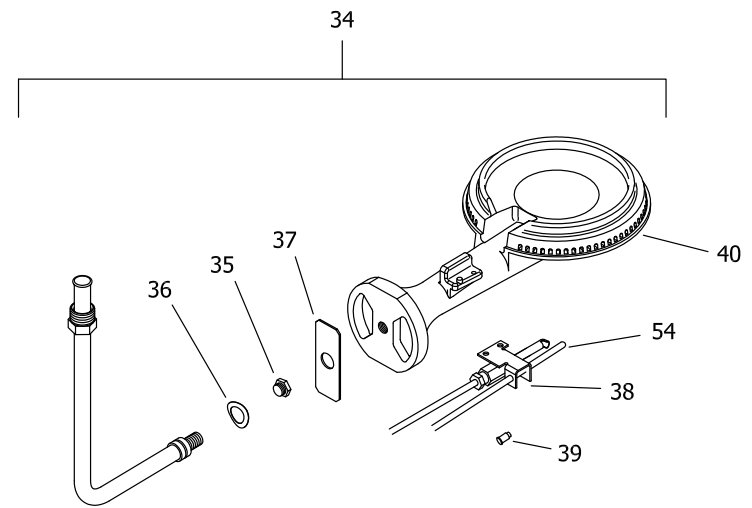
NATURAL GAS (BN) BURNER ASSEMBLY



LP GAS (SX) BURNER ASSEMBLY



NATURAL GAS (CN) BURNER ASSEMBLY



LP GAS (CX) BURNER ASSEMBLY

LP GAS (SX) BURNER ASSEMBLY TO REPLACE LP GAS (CX) BURNER ASSEMBLY
ON ALL MODELS EXCEPT 75 & 100 GAL. MODELS

| Item | Description | Model GX225S*(BN,SX) | Model GX155S*(BN,SX) | Model M1XR65T*(EN,BN,SX,CX) | Model MI75S*(BN,SX,CX,CN) | Model M2XR75S*(BN,SX,CX,CN) |
|---------------------------------------|---|-------------------------|-------------------------|--------------------------------|------------------------------|--------------------------------|
| Natural Gas BN Burner Assembly | | | | | | |
| 28 | Nat. Gas Burner Assembly Complete (Honeywell)** | --- | --- | --- | 265-46998-03-22 ¹ | 265-46998-01-22 ¹ |
| | Nat. Gas Burner Assembly Complete (White Rodgers)** | 265-46004-01-21 | 265-46004-03-20 | 265-47439-08-27 | 265-43979-02-22 ^o | 265-43979-03-21 ^o |
| 29 | Nat. Gas Pilot Assembly (White Rodgers) | 233-40248-05 | 233-40248-05 | 233-40248-05 | 233-40248-05 ^o | 233-40248-05 ^o |
| 30 | Nat. Gas Pilot Assembly Kit (Honeywell) | --- | --- | --- | 239-47449-01 ¹ | 239-47449-01 ¹ |
| 31 | Nat. Gas Pilot Orifice (Honeywell) | --- | --- | --- | 234-47098-01 ¹ | 234-47098-01 ¹ |
| | Nat. Gas Pilot Orifice (White Rodgers) | 234-46502-03 | 234-46502-03 | 234-46502-03 | 234-46502-03 ^o | 234-46502-03 ^o |
| 32 | Nat. Gas Main Burner Orifice (0ft to 2000ft) | 234-41034-21 | 234-41034-20 | 234-41034-27 | 234-41034-22 | 234-41034-22 |
| | Nat. Gas High Altitude (2001ft to 5000ft) | 234-41034-24 | 234-41034-22 | 234-41034-29 | 234-41034-26 | 234-41034-26 |
| | Nat. Gas High Altitude (5001ft to 8000ft) | 234-41034-24 | 234-41034-22 | 234-41034-30 | 234-41034-26 | 234-41034-26 |
| | Nat. Gas High Altitude (8001ft & above) | 234-41034-28 | 234-41034-27 | 234-41034-31 | 234-41034-30 | 234-41034-30 |
| 33 | Nat. Gas Burner | 228-42506-00 | 228-42506-00 | 228-42506-00 | 228-42506-00 | 228-42506-00 |
| LP Gas CX Burner Assembly | | | | | | |
| 34 | LP Gas Cast Iron Burner Assembly Complete ** | --- | --- | SEE ITEM 50 | 265-41876-32-38 ^o | 265-41876-32-38 ^o |
| 35 | LP Gas Main Burner Orifice (0ft to 2000ft) | --- | --- | SEE ITEM 50 | 234-35928-38 ^o | 234-35928-38 ^o |
| | LP Gas High Altitude (2001ft to 5000ft) | --- | --- | SEE ITEM 50 | 234-35928-42 ^o | 234-35928-42 ^o |
| | LP Gas High Altitude (5001ft to 8000ft) | --- | --- | SEE ITEM 50 | 234-35928-43 ^o | 234-35928-43 ^o |
| | LP Gas High Altitude (8001ft & above) | --- | --- | SEE ITEM 50 | 234-35928-43 ^o | 234-35928-43 ^o |
| 36 | Spring Washer | --- | --- | SEE ITEM 50 | 239-40729-00 | 239-40729-00 |
| 37 | Air Shutter | --- | --- | SEE ITEM 50 | 239-35466-00 | 239-35466-00 |
| 38 | LP Gas Pilot Assembly | --- | --- | SEE ITEM 50 | 233-40261-03 ^o | 233-40261-03 ^o |
| 39 | LP Gas Pilot Orifice | --- | --- | SEE ITEM 50 | 234-46502-01 ^o | 234-46502-01 ^o |
| 40 | LP Gas Cast Iron Burner | --- | --- | SEE ITEM 50 | 228-14173-00 ^o | 228-14173-00 ^o |
| Natural Gas CN Burner Assembly | | | | | | |
| 41 | Nat. Gas Cast Iron Burner Assembly Complete ** | --- | --- | --- | 265-36084-37-24 | 265-41870-16-24 |
| 42 | Nat. Gas Main Burner Orifice (0ft to 2000ft) | --- | --- | --- | 234-18194-24 | 234-18194-24 |
| | Nat. Gas High Altitude (2001ft to 5000ft) | --- | --- | --- | 234-18194-26 | 234-18194-26 |
| | Nat. Gas High Altitude (5001ft to 8000ft) | --- | --- | --- | 234-18194-26 | 234-18194-26 |
| | Nat. Gas High Altitude (8001ft & above) | --- | --- | --- | 234-18194-30 | 234-18194-30 |
| 43 | Spring Washer | --- | --- | --- | 239-40729-00 | 239-40729-00 |
| 44 | Air Shutter | --- | --- | --- | 239-35466-00 | 239-35466-00 |
| 45 | Nat. Gas Pilot Assembly | --- | --- | --- | 233-40248-05 | 233-40248-05 |
| 46 | Nat. Gas Pilot Orifice | --- | --- | --- | 234-46502-03 | 234-46502-03 |
| 47 | Nat. Gas Cast Iron Burner | --- | --- | --- | 228-14173-00 | 228-14173-00 |
| LP Gas SX Burner Assembly | | | | | | |
| 48 | LP Gas Burner Assembly Complete** | 265-47037-01-38 | 265-47037-03-38 | 265-47440-14-43 | 265-47011-03-38 | 265-47011-02-38 |
| 49 | LP Gas Main Burner Orifice (0ft to 2000ft) | 234-47064-38 | 234-47064-38 | 234-47064-43 | 234-47064-38 | 234-47064-38 |
| | LP Gas High Altitude (2001ft to 5000ft) | 234-47064-42 | 234-47064-42 | 234-47064-44 | 234-47064-42 | 234-47064-42 |
| | LP Gas High Altitude (5001ft to 8000ft) | 234-47064-43 | 234-47064-43 | 234-47064-47 | 234-47064-43 | 234-47064-43 |
| | LP Gas High Altitude (8001ft & above) | 234-47064-43 | 234-47064-43 | 234-47064-47 | 234-47064-43 | 234-47064-43 |
| 50 | LP Gas Pilot Assembly (White Rodgers) | 233-40261-03 | 233-40261-03 | 233-40261-03 | --- | --- |
| 51 | Kit-LP Gas Pilot Assembly (Honeywell) | --- | --- | --- | 239-47449-02 ¹ | 233-47449-02 ¹ |
| 52 | LP Gas Pilot Orifice | 233-46502-01 | 234-46502-01 | 234-46502-01 | 234-47098-02 ¹ | 234-47098-02 ¹ |
| 53 | LP Gas SX Burner | 228-46938-00 | 228-46938-00 | 228-47000-00 | 228-46938-00 ¹ | 228-46938-00 ¹ |
| 54 | Kit-Thermopile | --- | --- | --- | 239-47446-00 ¹ | 239-47446-00 ¹ |
| | Thermocouple | 233-46501-24 | 233-46501-24 | 233-46501-24 | 233-46501-24 ^o | 233-46501-24 ^o |
| | Kit-LP to NAT conversion (0ft to 2000ft) | 265-45713-03 | 265-45713-04 | 265-45713-01 | 265-47452-01 | 265-47452-03 |
| | Kit-LP to NAT conversion (2000ft to 5000ft) | 265-45713-05 | 265-45713-06 | 265-45713-02 | 265-47452-02 | 265-47452-04 |

*All warranties

**Ordering a complete burner assy may increase delivery time.

Please order the specific component req'd for the quickest delivery

^o Serial # prior to EF10694503

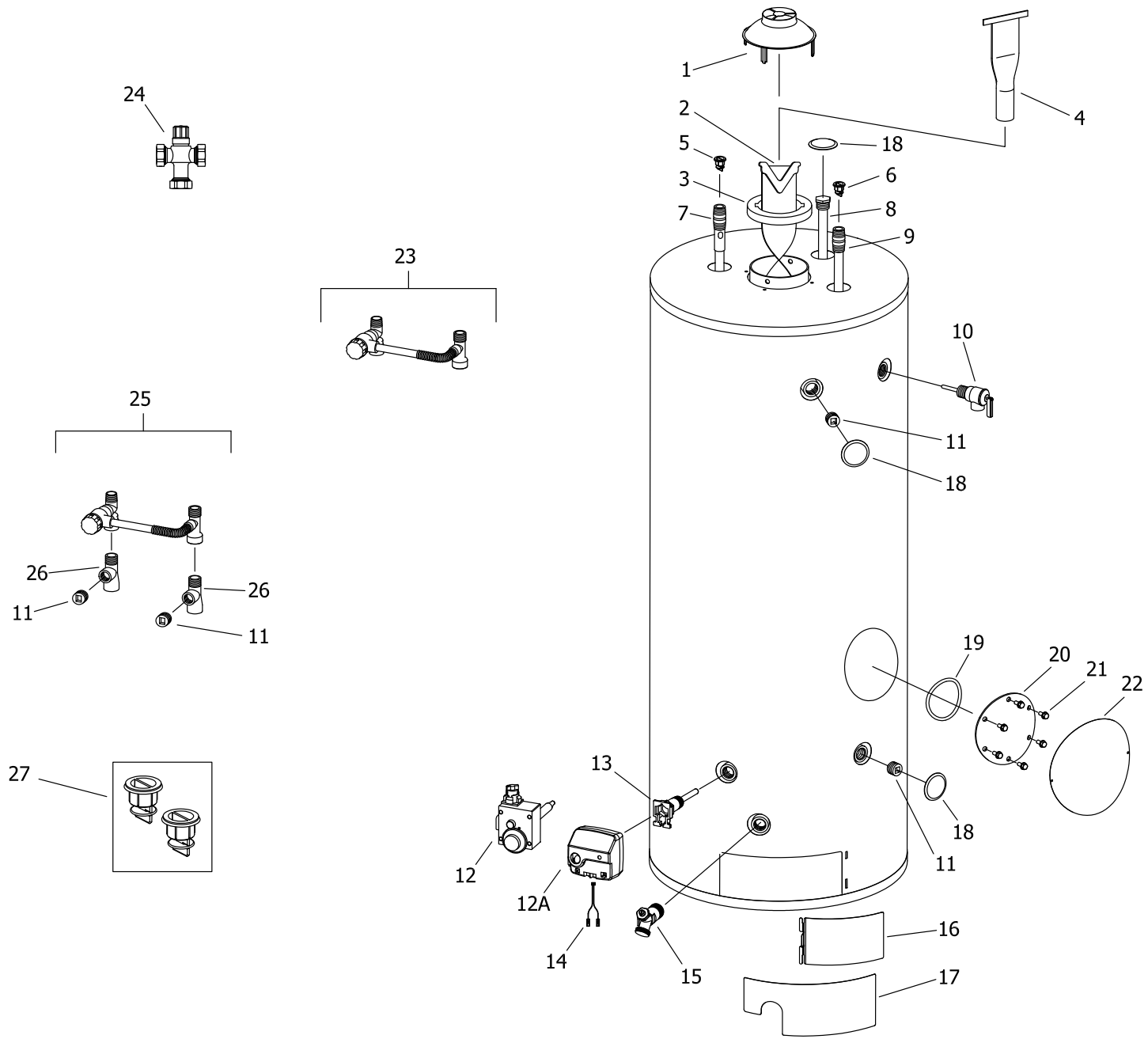
¹ Serial # EF10694504 through FD11847877

² Order with item 5

⁴ Serial # prior to FE11932653

³ Order with item 6

⁵ Serial # FE11932654 and after



| Item | Description | Model | Model | Model | Model | Model | Model |
|------|---|---------------------------|------------------|------------------|-------------------|---------------------------|---------------------------|
| | | MI100T*(BN,CX,CN) | 25X78(B,S)3(N,X) | 55X80(B,S)3(N,X) | 65T65*(B,E)*(N,X) | 75T80*(B,S)*(N,X) | 100T88*(B)*(N,X) |
| 1 | Draft Diverter | 243-33081-01-20 | 243-33081-02-20 | 243-33081-02-20 | 243-33081-02-20 | 239-12950-00 | 243-33081-01-20 |
| 2 | Flue Baffle | --- | --- | --- | 243-44649-00 | 243-42557-00 | --- |
| 3 | Flue Reducer | 243-36920-00 | 243-42572-00 | 243-42572-00 | 243-36920-00 | 243-36920-00 | 243-36920-00 |
| 4 | Flue Core | --- | 239-45676-00 | 239-45676-00 | --- | --- | --- |
| 5 | Heat Trap Insert (Outlet) | --- | --- | --- | 239-45167-00 | --- | --- |
| 6 | Heat Trap Insert (Inlet) | --- | --- | --- | 239-45073-00 | --- | --- |
| 7 | Hot Water Outlet Anode Magnesium ² | --- | 224-32731-101 | 224-32731-101 | 224-32731-83 | --- | --- |
| | Hot Water Outlet Anode Aluminum ² | --- | 224-32999-21 | 224-32999-21 | 224-32999-07 | --- | --- |
| | Hot Water Outlet Anode A420 Aluminum ² | --- | 224-45147-02 | 224-45147-02 | 224-45147-01 | --- | --- |
| 8 | Plug type Anode Magnesium | 224-32758-14 | 224-32758-19 | 224-32758-19 | --- | 224-32758-07 | 224-32758-14 |
| | Plug type Anode Aluminum | 224-38508-07 | 224-38508-03 | 224-38508-03 | --- | 224-38508-01 | 224-38508-07 |
| 9 | Cold Water Inlet Diptube Polypropylene ³ | --- | --- | --- | 229-39625-04 | 229-47056-01 | --- |
| | Cold Water Inlet Diptube Polysulfone (NC Code) ³ | 229-46993-01 | 229-45092-02 | 229-45092-02 | 229-39628-04 | 229-47040-01 | 229-46993-01 |
| 10 | T&P Relief Valve | 230-40594-02 | 230-40594-02 | 230-40594-02 | 230-32920-01 | 230-40594-02 | 230-40594-02 |
| 11 | 3/4" NPT Plug | 239-11638-00 | 239-11638-00 | 239-11638-00 | 239-11638-00 | 239-11638-00 | 239-11638-00 |
| 12 | White Rodgers Combination Gas Valve Natural Gas | 265-40251-07 ⁴ | 265-47444-02 | 265-47444-01 | 265-46365-01 | 265-46365-02 ^o | 265-46365-04 ⁴ |
| | White Rodgers Combination Gas Valve LP Gas | 265-40258-06 ⁴ | 265-47445-02 | 265-47445-01 | 265-46366-01 | 265-46366-02 ^o | 265-46366-03 ⁴ |
| 12A | Honeywell Combination Gas Valve Natural Gas (with service tool) | 239-46990-01 ⁵ | --- | --- | --- | 239-46990-02 ¹ | 239-46990-02 ⁵ |
| | Honeywell Combination Gas Valve LP Gas (with service tool) | 239-46991-01 ⁵ | --- | --- | --- | 239-46991-02 ¹ | 239-46991-02 ⁵ |
| 13 | Thermowell | 233-45651-02 ⁵ | --- | --- | --- | 233-45651-02 ¹ | 233-45651-02 ⁵ |
| 14 | Intermediate Harness | 239-46995-00 ⁵ | --- | --- | --- | 239-46995-00 ¹ | 239-46995-00 ⁵ |
| 15 | Brass Drain Valve | 265-42351-04 | 265-42351-02 | 265-42351-02 | 265-42351-02 | 265-42351-02 | 265-42351-04 |
| 16 | Inner Door Complete | 243-39207-00 | 243-46049-00 | 243-46049-00 | 243-36739-02 | 243-39207-00 | 243-39207-00 |
| 17 | Outer Door | 243-37177-00 | 243-41061-00 | 243-41061-00 | 243-41061-00 | 243-37177-00 | 243-37177-00 |
| 18 | Hole Closure | 239-31547-02 | 239-31547-02 | 239-31547-02 | 239-31547-02 | 239-31547-02 | 239-31547-02 |
| 19 | Cleanout O-Ring Gasket | 205-18427-00 | --- | --- | --- | --- | 205-18427-00 |
| 20 | Cleanout Cover | 205-18428-00 | --- | --- | --- | --- | 205-18428-00 |
| 21 | Cleanout Cover Screw (Qty. 6) | 239-82166-00 | --- | --- | --- | --- | 239-82166-00 |
| 22 | Cleanout Access Cover | 243-20299-00 | --- | --- | --- | --- | 243-20299-00 |
| 23 | Kit-Intergrated Mixing Device (The Optimizer) | --- | 239-46225-02 | 239-46225-02 | --- | --- | --- |
| 24 | ASSE Approved Mixing Device (optional) | 239-43740-01 | --- | --- | 239-43740-01 | 239-43740-01 | 239-43740-01 |
| 25 | Kit-Alternate Temperature Water Outlet | --- | 243-46414-02 | 243-46414-02 | --- | --- | --- |
| 26 | Street Tee 3/4" NPT | --- | 239-46332-00 | 239-46332-00 | --- | --- | --- |
| 27 | Kit-Heat Trap Insert | --- | 239-46332-00 | 239-46332-00 | 265-45420-00 | --- | --- |

*All warranties

**Ordering a complete burner assy may increase delivery time.

Please order the specific component req'd for the quickest delivery

^o Serial # prior to EF10694503

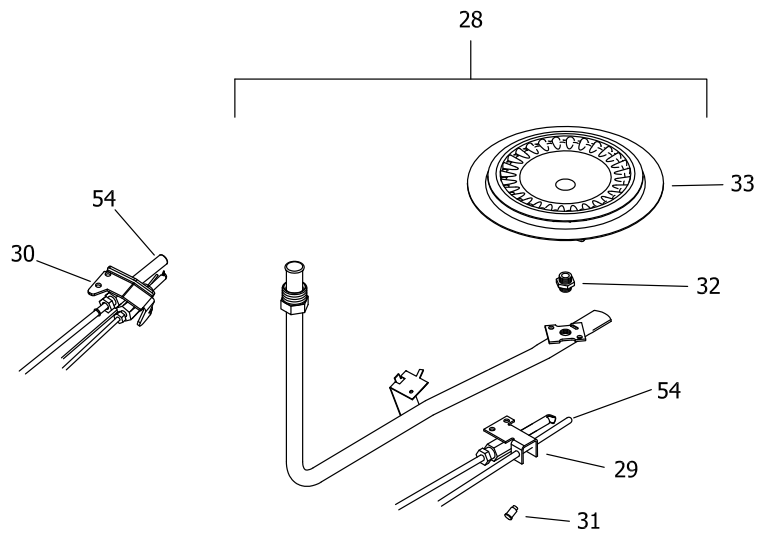
¹ Serial # EF10694504 through FD11847877

² Order with item 5

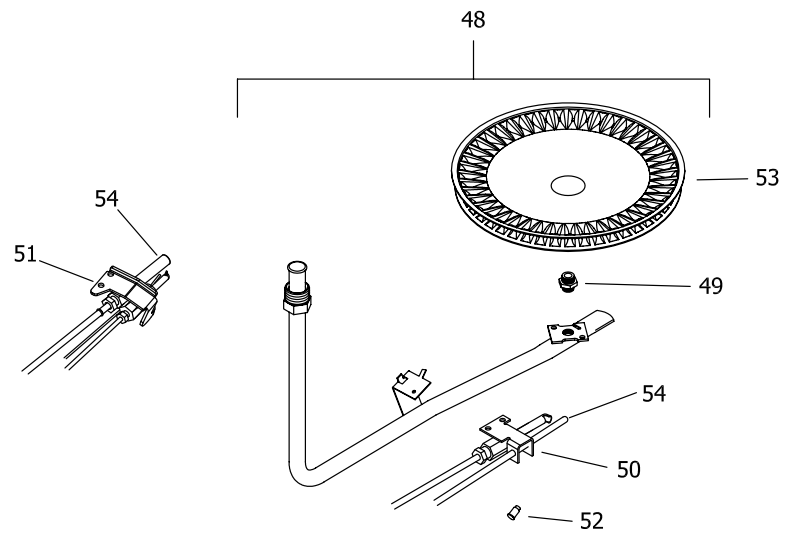
⁴ Serial # prior to FE11932653

³ Order with item 6

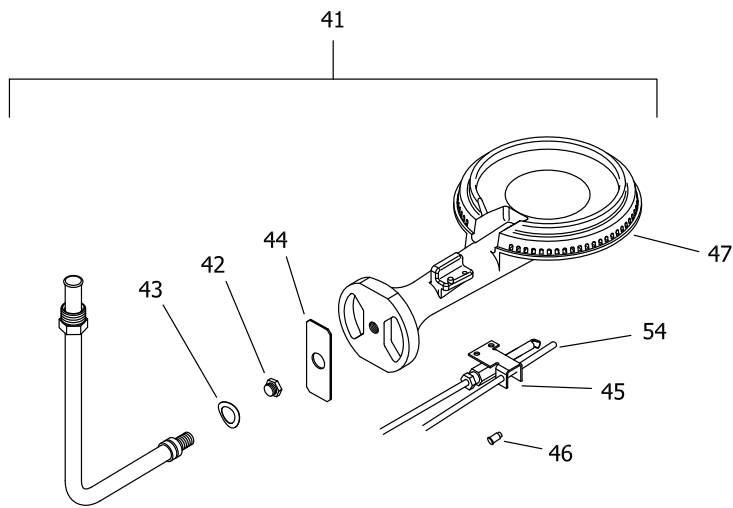
⁵ Serial # FE11932654 and after



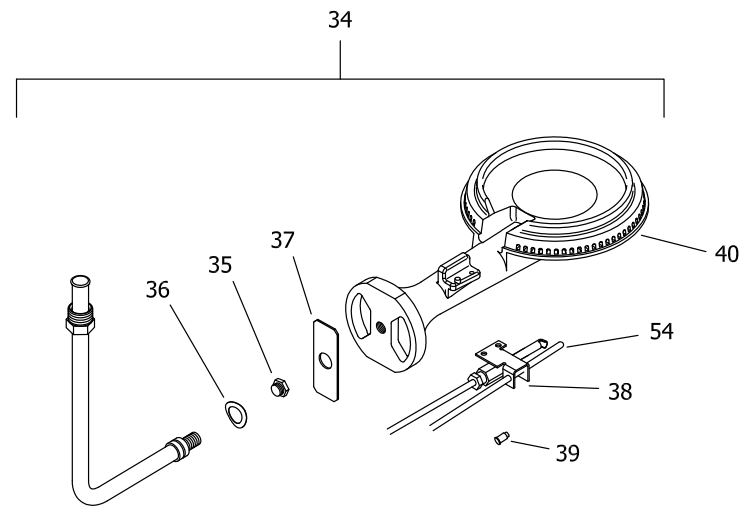
NATURAL GAS (BN) BURNER ASSEMBLY



LP GAS (SX) BURNER ASSEMBLY



NATURAL GAS (CN) BURNER ASSEMBLY



LP GAS (CX) BURNER ASSEMBLY

LP GAS (SX) BURNER ASSEMBLY TO REPLACE LP GAS (CX) BURNER ASSEMBLY
ON ALL MODELS EXCEPT 75 & 100 GAL. MODELS

| Item | Description | Model MI100T*(BN,CX,CN) | Model 25X78(B,S)3(N,X) | Model 55X80(B,S)3(N,X) | Model 65T65*(B,E)*(N,X) | Model 75T80*(B,S)*(N,X) | Model 100T88*(B)*(N,X) |
|---------------------------------------|---|------------------------------|---------------------------|---------------------------|----------------------------|----------------------------|------------------------------|
| Natural Gas BN Burner Assembly | | | | | | | |
| 28 | Nat. Gas Burner Assembly Complete (Honeywell)** | 265-46998-02-20 ³ | --- | --- | --- | 265-46998-01-22 | 265-46998-02-20 ⁵ |
| | Nat. Gas Burner Assembly Complete (White Rodgers)** | 265-43979-01-20 ⁴ | 265-46004-01-21 | 265-46004-03-20 | 265-47439-08-27 | 265-43979-03-21 | 265-43979-01-20 ⁴ |
| 29 | Nat. Gas Pilot Assembly (White Rodgers) | 233-40248-05 ⁴ | 233-40248-05 | 233-40248-05 | 233-40248-05 | 233-40248-05 | 233-40248-05 ⁴ |
| 30 | Nat. Gas Pilot Assembly Kit (Honeywell) | 233-46988-04 ⁵ | --- | --- | --- | 239-47449-01 | 233-46988-04 ⁵ |
| 31 | Nat. Gas Pilot Orifice (Honeywell) | 234-47098-01 ⁵ | --- | --- | --- | 234-47098-01 | 234-47098-01 ⁵ |
| | Nat. Gas Pilot Orifice (White Rodgers) | 234-46502-03 ⁴ | 234-46502-03 | 234-46502-03 | 234-46502-03 | 234-46502-03 | 234-46502-03 ⁴ |
| 32 | Nat. Gas Main Burner Orifice (0ft to 2000ft) | 234-41034-20 | 234-41034-21 | 234-41034-20 | 234-41034-27 | 234-41034-22 | 234-41034-20 |
| | Nat. Gas High Altitude (2001ft to 5000ft) | 234-41034-22 | 234-41034-24 | 234-41034-22 | 234-41034-29 | 234-41034-26 | 234-41034-22 |
| | Nat. Gas High Altitude (5001ft to 8000ft) | 234-41034-22 | 234-41034-24 | 234-41034-22 | 234-41034-30 | 234-41034-26 | 234-41034-22 |
| | Nat. Gas High Altitude (8001ft & above) | 234-41034-27 | 234-41034-28 | 234-41034-27 | 234-41034-31 | 234-41034-30 | 234-41034-27 |
| 33 | Nat. Gas Burner | 228-42506-00 | 228-42506-00 | 228-42506-00 | 228-42506-00 | 228-42506-00 | 228-42506-00 |
| LP Gas CX Burner Assembly | | | | | | | |
| 34 | LP Gas Cast Iron Burner Assembly Complete ** | 265-41876-27-35 ⁴ | --- | --- | SEE ITEM 50 | 265-41876-24-38 | 265-41876-27-35 ⁴ |
| 35 | LP Gas Main Burner Orifice (0ft to 2000ft) | 234-35928-35 ⁴ | --- | --- | SEE ITEM 50 | 234-35928-38 | 234-35928-35 ⁴ |
| | LP Gas High Altitude (2001ft to 5000ft) | 234-35928-39 ⁴ | --- | --- | SEE ITEM 50 | 234-35928-42 | 234-35928-39 ⁴ |
| | LP Gas High Altitude (5001ft to 8000ft) | 234-35928-40 ⁴ | --- | --- | SEE ITEM 50 | 234-35928-43 | 234-35928-40 ⁴ |
| | LP Gas High Altitude (8001ft & above) | 234-35928-41 ⁴ | --- | --- | SEE ITEM 50 | 234-35928-43 | 234-35928-41 ⁴ |
| 36 | Spring Washer | 239-40729-00 ⁴ | --- | --- | SEE ITEM 50 | 239-40729-00 | 239-40729-00 ⁴ |
| 37 | Air Shutter | 239-35466-00 ⁴ | --- | --- | SEE ITEM 50 | 239-35466-00 | 239-35466-00 ⁴ |
| 38 | LP Gas Pilot Assembly | 233-40261-03 ⁴ | --- | --- | SEE ITEM 50 | 233-40261-03 | 233-40261-03 ⁴ |
| 39 | LP Gas Pilot Orifice | 234-46502-01 ⁴ | --- | --- | SEE ITEM 50 | 234-46502-01 | 234-46502-01 ⁴ |
| 40 | LP Gas Cast Iron Burner | 228-14173-00 ⁴ | --- | --- | SEE ITEM 50 | 228-14173-00 | 228-14173-00 ⁴ |
| Natural Gas CN Burner Assembly | | | | | | | |
| 41 | Nat. Gas Cast Iron Burner Assembly Complete ** | 265-41870-22-19 | --- | --- | --- | 265-41870-17-22 | 265-41870-22-19 |
| 42 | Nat. Gas Main Burner Orifice (0ft to 2000ft) | 234-18194-19 | --- | --- | --- | 234-18194-22 | 234-18194-19 |
| | Nat. Gas High Altitude (2001ft to 5000ft) | 234-18194-22 | --- | --- | --- | 234-18194-27 | 234-18194-22 |
| | Nat. Gas High Altitude (5001ft to 8000ft) | 234-18194-22 | --- | --- | --- | 234-18194-27 | 234-18194-22 |
| | Nat. Gas High Altitude (8001ft & above) | 234-18194-26 | --- | --- | --- | 234-18194-31 | 234-18194-26 |
| 43 | Spring Washer | 239-40729-00 | --- | --- | --- | 239-40729-00 | 239-40729-00 |
| 44 | Air Shutter | 239-35466-00 | --- | --- | --- | 239-35466-00 | 239-35466-00 |
| 45 | Nat. Gas Pilot Assembly | 233-40248-05 | --- | --- | --- | 233-40248-05 | 233-40248-05 |
| 46 | Nat. Gas Pilot Orifice | 234-46502-03 | --- | --- | --- | 234-46502-03 | 234-46502-03 |
| 47 | Nat. Gas Cast Iron Burner | 228-14173-00 | --- | --- | --- | 228-14173-00 | 228-14173-00 |
| LP Gas SX Burner Assembly | | | | | | | |
| 48 | LP Gas Burner Assembly Complete** | 265-47011-01-35 ⁵ | 265-47037-01-38 | 265-47037-03-38 | 265-47440-14-43 | 265-47011-02-38 | 265-47011-01-35 ⁵ |
| 49 | LP Gas Main Burner Orifice (0ft to 2000ft) | 234-47064-35 ⁵ | 234-47064-38 | 234-47064-38 | 234-47064-43 | 234-47064-38 | 234-47064-35 ⁵ |
| | LP Gas High Altitude (2001ft to 5000ft) | 234-47064-39 ⁵ | 234-47064-42 | 234-47064-42 | 234-47064-44 | 234-47064-42 | 234-47064-39 ⁵ |
| | LP Gas High Altitude (5001ft to 8000ft) | 234-47064-40 ⁵ | 234-47064-43 | 234-47064-43 | 234-47064-47 | 234-47064-43 | 234-47064-40 ⁵ |
| | LP Gas High Altitude (8001ft & above) | 234-47064-41 ⁵ | 234-47064-43 | 234-47064-43 | 234-47064-47 | 234-47064-43 | 234-47064-41 ⁵ |
| 50 | LP Gas Pilot Assembly (White Rodgers) | --- | 233-40261-03 | 233-40261-03 | 233-40261-03 | --- | --- |
| 51 | Kit-LP Gas Pilot Assembly (Honeywell) | 233-46989-04 ⁵ | --- | --- | --- | 239-47449-02 | 233-46989-04 ⁵ |
| 52 | LP Gas Pilot Orifice | 234-47098-02 ⁵ | 234-46502-01 | 234-46502-01 | 234-46502-01 | 234-47098-02 | 234-47098-02 ⁵ |
| 53 | LP Gas SX Burner | 228-46938-00 ⁵ | 228-46938-00 | 228-46938-00 | 228-47000-00 | 228-46938-00 | 228-46938-00 ⁵ |
| 54 | Kit-Thermopile | --- | --- | --- | --- | 239-47446-00 | --- |
| | Thermocouple | 233-46501-24 | 233-46501-24 | 233-46501-24 | 233-46501-24 | 233-46501-24 | 233-46501-24 ⁵ |
| | Kit-LP to NAT conversion (0ft to 2000ft) | 265-47452-08 ⁵ | 265-45713-03 | 265-45713-04 | --- | 265-47452-05 | 265-47452-07 ⁵ |
| | Kit-LP to NAT conversion (2000ft to 5000ft) | 265-47452-10 ⁵ | 265-45713-05 | 265-45713-06 | --- | 265-47452-06 | 265-47452-09 ⁵ |

*All warranties

**Ordering a complete burner assy may increase delivery time.

Please order the specific component req'd for the quickest delivery

o Serial # prior to EF10694503

1 Serial # EF10694504 through FD11847877

2 Order with item 5

3 Order with item 6

4 Serial # prior to FE11932653

5 Serial # FE11932654 and after



BRADFORD WHITE®

W A T E R H E A T E R S

Ambler, PA

For U.S. and Canada field service,
contact your professional installer or
local Bradford White sales representative.

Sales/800-523-2931
Fax/215-641-1670
Parts Fax/215-641-2180

Technical Support/800-334-3393
Fax/269-795-1089

Warranty/800-531-2111
Fax/269-795-1089

International:
Telephone/215-641-9400
Telefax/215-641-9750



BRADFORD WHITE-CANADA® INC.

Mississauga, ON

Sales/866-690-0961
905-238-0100

Fax/905-238-0105

Technical Support/800-334-3393

Email

parts@bradfordwhite.com
techserv@bradfordwhite.com

www.bradfordwhite.com