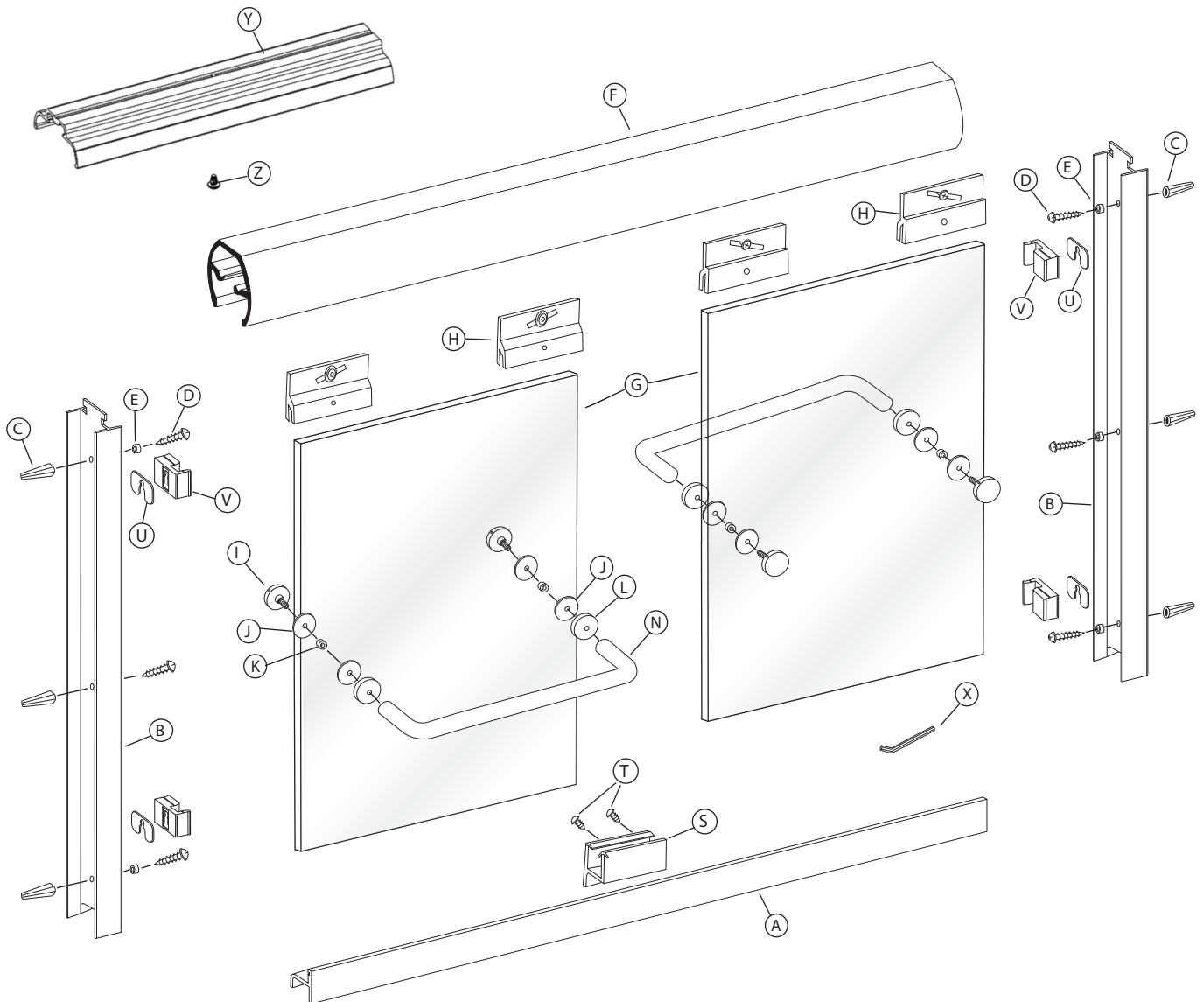


PARTS LIST

- | | |
|--------------------------------------|--|
| A. 1 Tub Track with Vinyl | K. 4 Glass Hole Sleeves |
| B. 2 Wall Jamb | L. 4 Front Plates |
| C. 6 Plastic Wall Anchors | N. 2 Towel Bar |
| D. 6 #8 x 2" Truss Head Screws | S. 1 Nylon Bottom Guide |
| E. 4 Nylon Spacers | T. 2 #6 x 3/8" Pan Head Screw |
| F. 1 Header | U. 4 Stainless Bumper Inserts |
| G. 2 Glass Panels | V. 4 Vinyl Jamb Bumpers |
| H. 4 Hanger Brackets (Pre-assembled) | X. 1 Allen Wrench |
| I. 4 Back Plates | Y. 3 Anti-Jump Inserts (1 Shown) SC4340-45 |
| J. 8 Clear Plastic Discs | Z. 3 Anti-Jump Screws (1 Shown) SCR11 |



****If installing on a fiberglass unit you may need to snip outside corner to match corners on wall jamb and tub tracks to match radius on fiberglass unit****