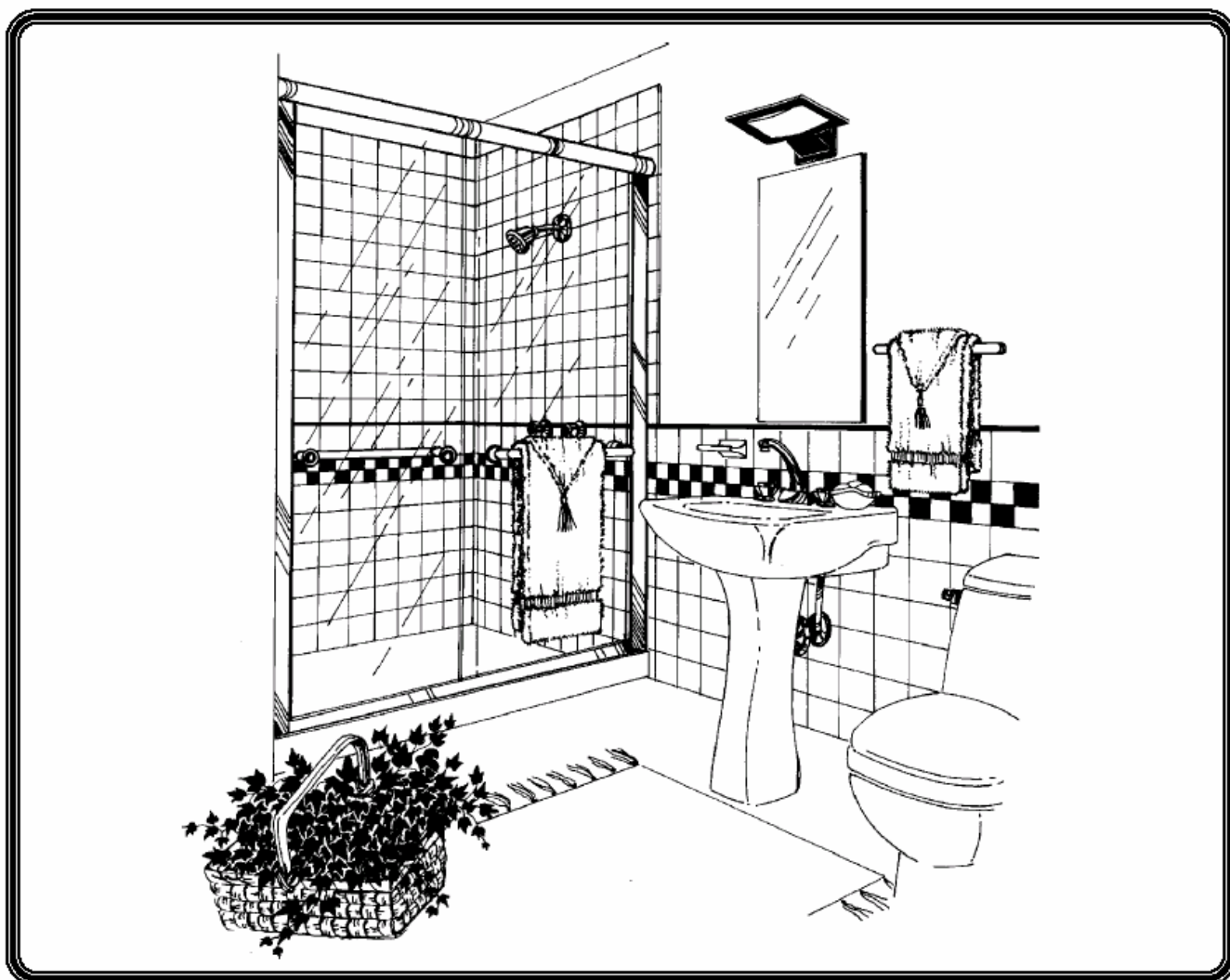




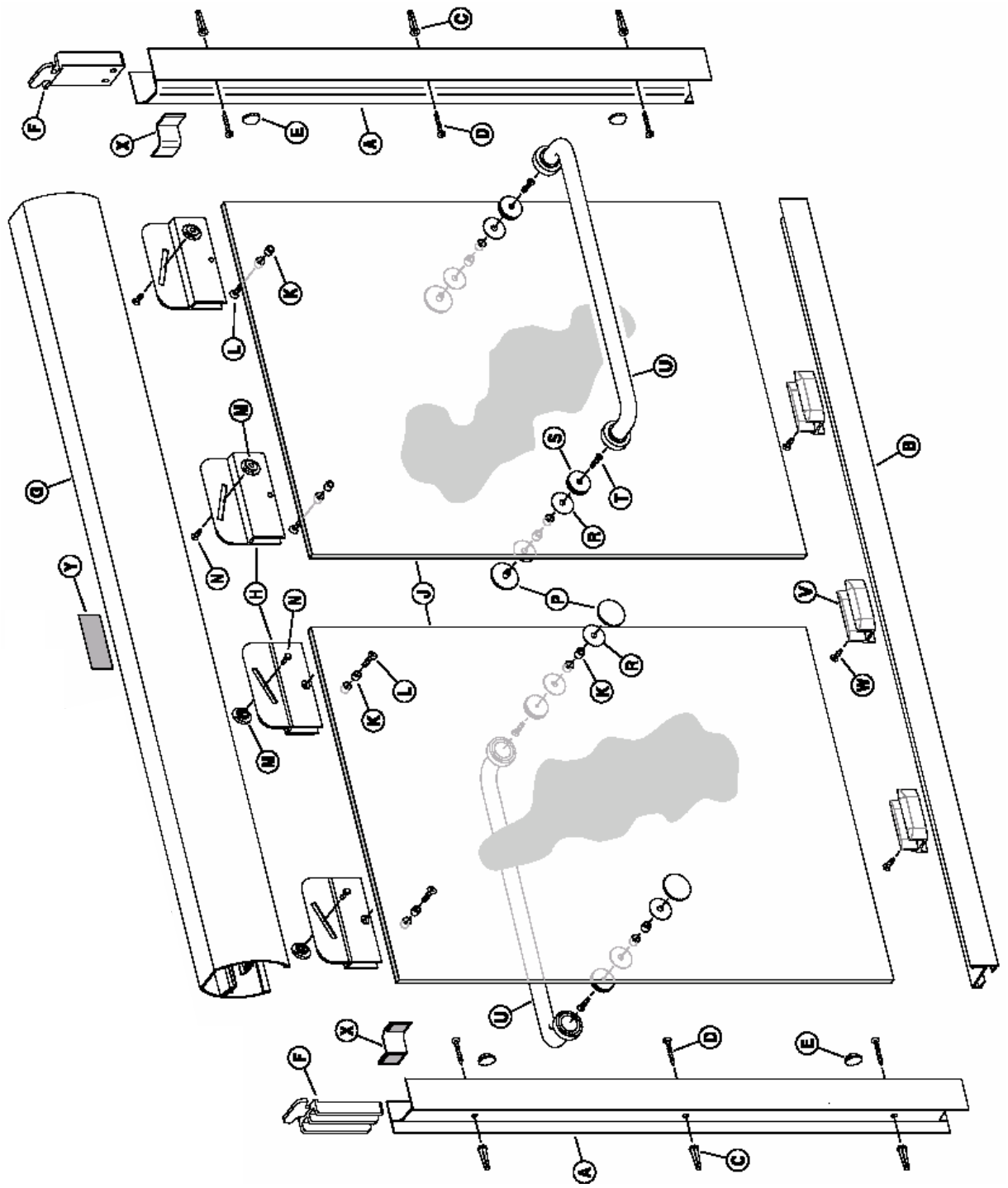
INSTALLATION  
INSTRUCTIONS

# UNIT No. 2850/3850 CELESTA SLIDER BATH ENCLOSURE



**2850/3850 CELESTA SLIDER PARTS LIST**

- |    |                                 |    |                                |
|----|---------------------------------|----|--------------------------------|
| A. | 2 Wall Jamb                     | M. | 4 HD Roller Bearings           |
| B. | 1 Tub Track w/ Vinyl            | N. | 4 #8-32 x 3/8" Hex Head Screws |
| C. | 6 Plastic Wall Anchors          | P. | 2 Towel Bar Caps (w/Post)      |
| D. | 6 #8 x 1 1/2" Truss Head Screws | R. | 8 Flat Rubber Washers          |
| E. | 4 Clear Jamb Bumpers            | S. | 4 Handle Bases (Threaded)      |
| F. | 2 Nylon T-Locks                 | T. | 4 #8 x 5/8" Flat Head Screws   |
| G. | Header                          | U. | 2 Acrylic Towel Bar Assemblies |
| H. | 4 Hanger Brackets               | V. | 3 Clear Panel Guides           |
| J. | 2 Glass Door Panels             | W. | 3 #6 x 3/8" Pan Head Screws    |
| K. | 8 Nylon Bushings (.360" long)   | X. | 2 Nylon Jamb Covers            |
| L. | 4 1/4" x 9/16" Flat Head Screws | Y. | 1 Basco Decal                  |



**MAINTENANCE:** Two primary materials are used to manufacture your new Basco enclosure: tempered glass and anodized aluminum. To assure a long lasting finish on the enclosure, wipe it down with a towel after each use. Never use a scouring agent to clean the aluminum.

For occasional, more concentrated cleaning efforts, we find that *Comet Non-Abrasive Bathroom Cleaner* works extremely well. Be sure that any over spray falling on the aluminum frame is rinsed thoroughly and dried. Many over-the-counter cleaners, if applied to the aluminum and left on, will harm the metal finish and cause permanent damage, even though their directions indicate safe use on shower doors.

**INSTALLATION NOTES:** Unpack your unit carefully and inspect for freight damage. Lay out and identify all parts using the instruction sheets as a reference. Before discarding the carton, check to see that no small hardware parts have fallen to the bottom of the box. If any parts are damaged or missing, refer to the descriptions noted in the instructions when contacting your dealer for replacements.

Handle the glass panels carefully and protect the edges. Safety tempered glass is very resistant to breakage, but the sharp corners of the panels can damage tile and floor coverings.

Please wear safety glasses whenever drilling or cutting. When drilling holes in the ceramic tile or marble, use a center punch and hammer to carefully break the surface glaze so the drill can start without skidding.

To install your BASCO Bath Enclosure you will need the following: tape measure, level, #2 Phillips screwdriver, flat screwdriver, drill, 1/8", 7/64" and 3/16" drill bits, hacksaw, pencil, and caulking (clear silicone recommended). Optional tools include a miter box for cutting parts to length, files, center punch, and masking tape.

NOTE: Before beginning installation, check the tub rim for level and both walls for plumb. If either are off more than 1/4" to 3/8", you may want to contact your dealer for tapered fillers which can be used to level the tub or plumb the wall jambs.

**CAUTION:** The 2850/3850 door panels weigh 50 to 70 pounds each. To prevent personal injury or damage, the unit must be properly installed with the wall jambs and header securely anchored. A helper may be needed when hanging the door panels.

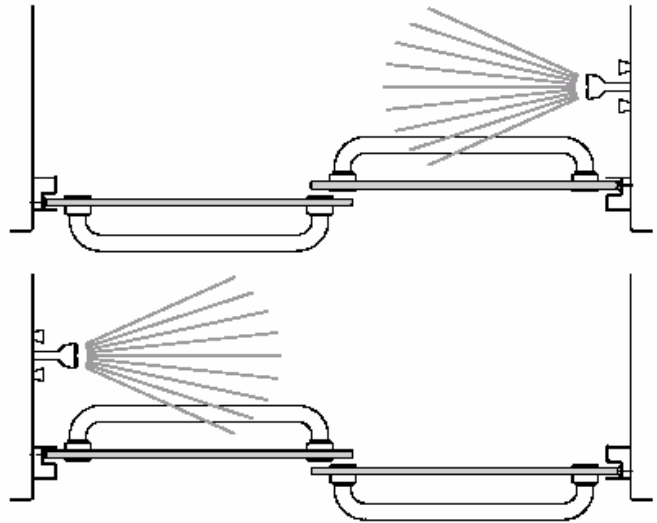
**NOTE: Tempered glass cannot be cut.**

---

---

# 1

The 2850/3850 Celesta Slider Bath Enclosure is supplied with reversible pocketed wall jambs [A]. The jambs are notched on both ends to fit over the tub track [B]. It is important to determine the proper orientation of the unit before marking and drilling the walls for the wall jamb attachment hardware. For maximum waterproofing, position the interior panel closest to the shower head, as shown in the illustration.



---

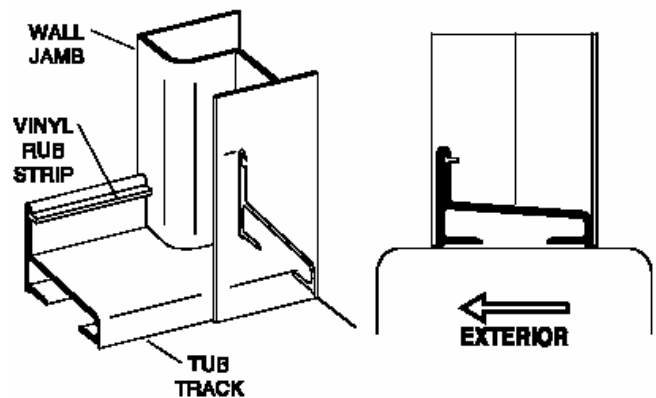
---

# 2

Measure the wall-to-wall opening along the center of the bath sill (or tub rim). Cut the tub track (with vinyl rub strip) [B] 1/16" short of this dimension. An inexpensive miter box (available at your local hardware store) will help you get clean square cuts.

Position the tub track in the center of the bath sill with the tall leg to the exterior. It may be necessary to file a radius on the ends of the tub track and wall jambs to match the corners of the enclosure.

Press both wall jambs [A] into position over the tub track. Masking tape can be used to hold the parts in place temporarily.



---

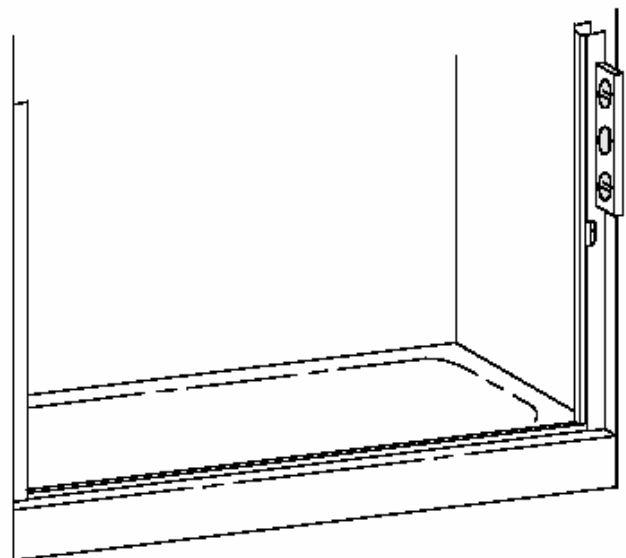
---

# 3

Use a level to plumb both wall jambs [A] then mark the pre-drilled hole locations on the wall. Lightly mark along both sides of the tub track [B] with a pencil, then remove all parts.

For tile or marble walls, drill six 3/16" diameter holes and insert the plastic wall anchors [C]. Attachments to fiberglass or acrylic units can be made in two ways. If reinforcement is built into the wall of unit, drill six 1/8" holes and install mounting screws directly into the reinforcement. If walls are not reinforced, drill six 3/16" holes and install plastic wall anchors or toggle bolts (toggle bolts not supplied by Basco).

**CAUTION:** The track should never be screwed to the tub. This will damage the tub and cause leakage.



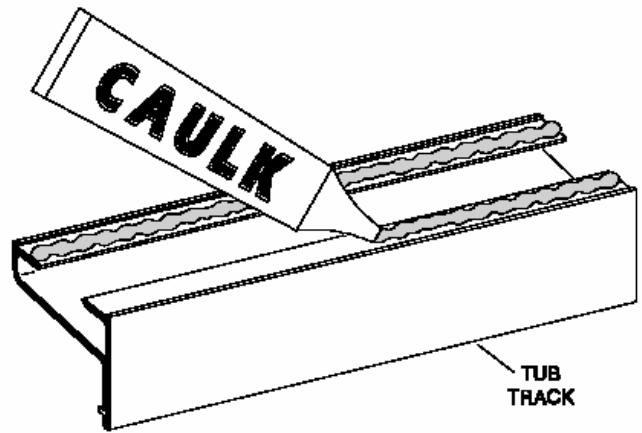
---

---

# 4

Before replacing the tub track [B], force a slight downward bow in the extrusion. This will ensure the track fits tight to the sill. Run a bead of caulk on both flat surfaces on the bottom of the tub track. Then replace the track on the bath sill in the exact position marked in Step #3 and with the tall leg to the exterior of the bath. Seat the tub track firmly.

NOTE: Improper caulking will result in leaks.



---

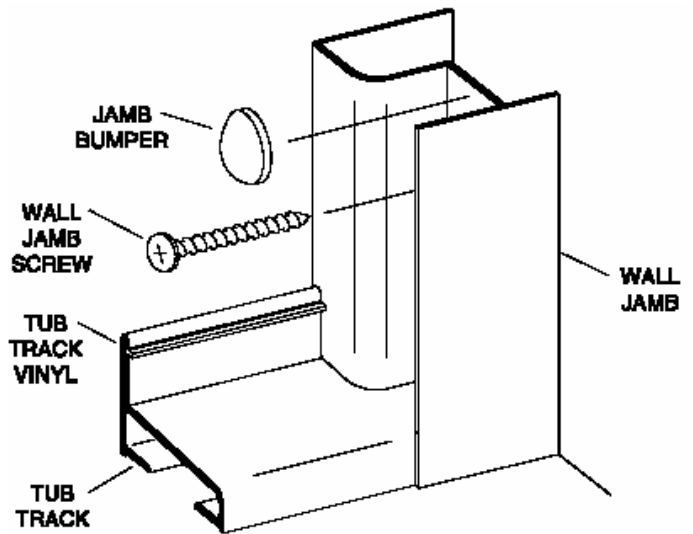
---

# 5

Replace one wall jamb [A] and attach it to the wall with three #8 x 1 1/2" truss head screws [D]. Check the jamb for plumb and tighten the screws. Repeat for the other wall jamb.

NOTE: Do not over-tighten the jamb screws.

Peel the backing from the four clear vinyl jamb bumpers [E] and attach them in the pockets of the wall jambs. Place the bumpers approximately 1" below the upper screw and 1" above the lower screw.



---

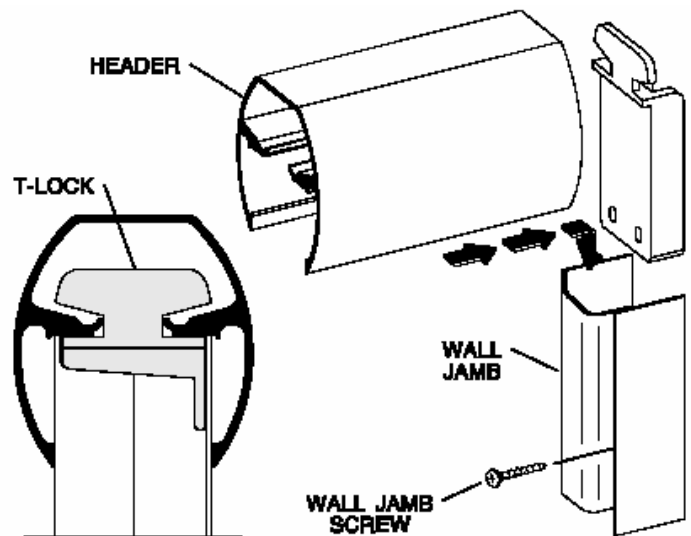
---

# 6

This bath enclosure is equipped with molded nylon T-locks [F] for safety. When properly installed, the header [G] is locked to the wall jambs [A] and cannot be accidentally dislodged.

Measure the wall-to-wall opening at the top of the wall jambs and cut the header 1/16" short of this dimension. Check the header for fit.

Slide the two T-locks into each end of the header as shown. Set the header down onto the wall jambs with the T-locks fitting into the space behind the wall jamb. Remove the top wall jamb screws [D]. Pull the header and T-locks downward until the top wall jamb screws can be reinstalled and tightened.

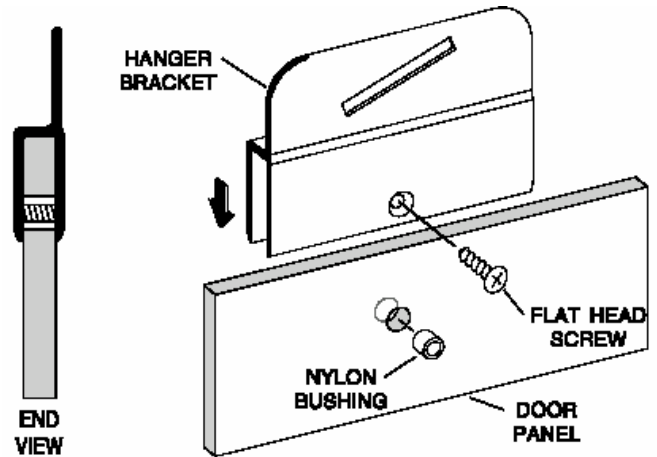


---

---

# 7

Determine the proper orientation of the door hanger brackets [H] to the glass door panels [J]. Fit four of the nylon bushings [K] into the 3/8" diameter holes in the top edge of the door panels. Slide the four hanger brackets onto the top edge of the panels until the countersunk holes line up with the bushings. Secure the brackets to the door panels with four 1/4"-20 x 9/16" [L] flat head screws.

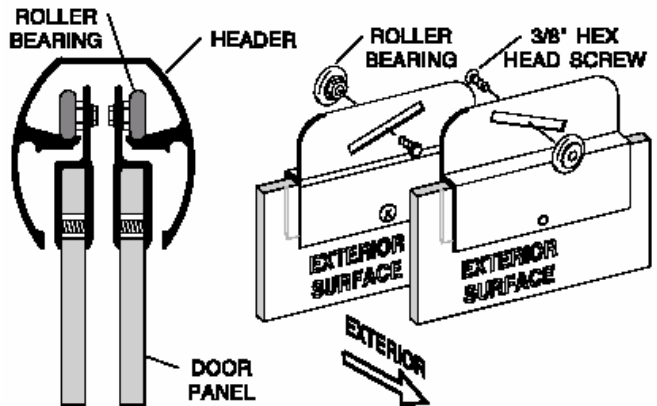


---

---

# 8

Attach the four black heavy-duty roller bearings [M] to the door hanger brackets [H] as shown, using #8-32 x 3/8" hex head screws [N]. The rollers should be approximately centered in the slots in the bracket fins.



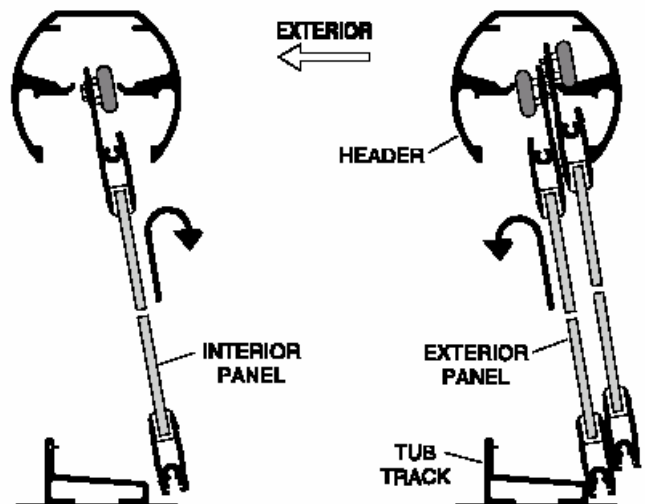
---

---

# 9

Lift the interior door panel [J] (exterior surface away from the fin) into position with the roller bearings [M] engaging the roller slot in the header [G]. If the door panel is not parallel to the wall jambs, remove and adjust the roller bearings up or down to compensate.

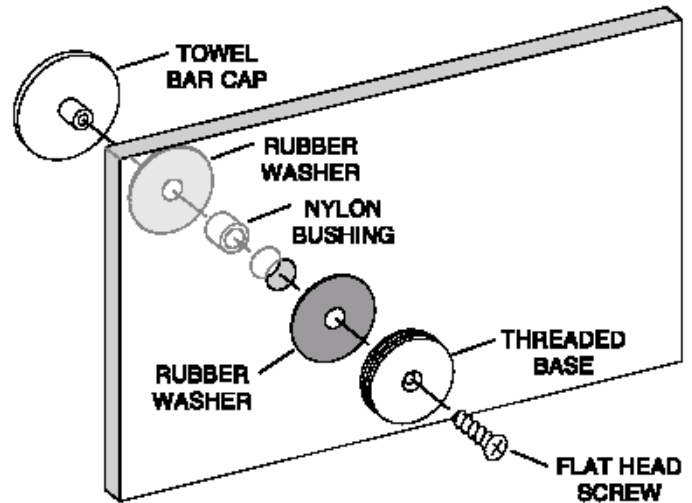
Repeat for the exterior door panel (exterior surface closest to the fin).



## 10

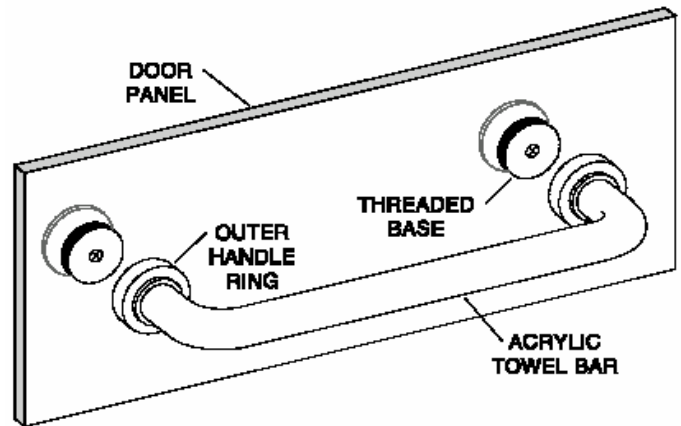
Place a nylon bushing [K] over the post of a towel bar cap [P]. Slip a rubber washer [R] over the bushing. Insert the cap and bushing into one of the 3/8" holes in one of the doors [J]. Place a second rubber washer against the opposite surface of the glass, position a threaded handle base [S] over it and attach it securely with a #8 x 5/8" flat head screw [T].

Repeat for the other three holes.



## 11

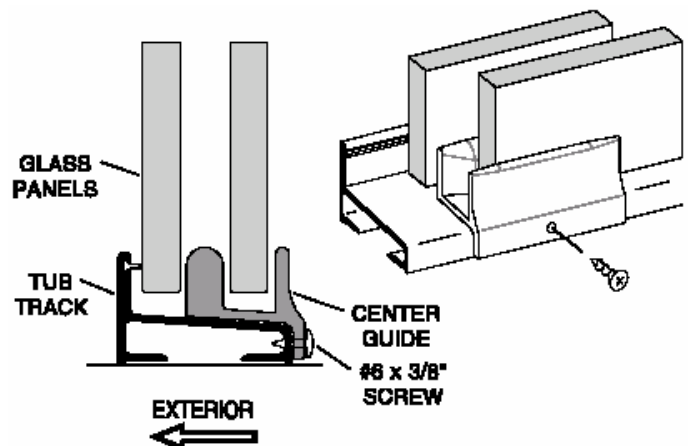
Hold one of the acrylic towel bar assemblies [U] against the threaded handle bases [S] and screw the outer handle rings onto the bases. Do not over-tighten or use tools that might damage the finish. Repeat for the remaining towel bar. Basco clear acrylic towel bars should only be cleaned with a product that specifically states that it is safe for use on acrylic. Repeated use of cleaning products containing ammonia or alcohol will seriously damage the towel bar eventually causing crazing of the surface, cracking, and breakage.



## 12

Locate one of the clear panel guides [V] in the middle of the tub track [B] with the door panels [J] in the position shown. With a 7/64" bit, drill a hole into the V-groove through the mounting hole in the guide. Attach the center panel guide with a #6 x 3/8" pan head screw [W] through the drilled hole.

OPTION: Included in your hardware kit are two extra panel guides and screws that can be used in the center of each panel opening if desired.



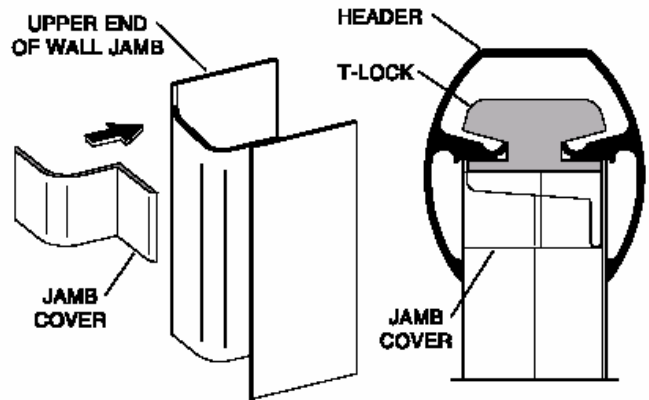
---

---

# 13

Peel the protective backing from the self-stick tape on the molded jamb covers [X]. Attach the jamb covers to the upper end of the wall jambs [A] as shown to cover the tooling notches.

Peel the backing from the Basco decal [Y] and attach it to the interior face of the header [G].



---

---

# 14

Neatly caulk each end of the tub track [B] where it meets the wall jambs [A] and along the interior edge of the wall jambs as shown. Run a bead of caulking along the interior edge of the tub track.

NOTE: The caulking should be allowed to cure for twenty-four hours before using your new bath enclosure.

