



INSTALLATION INSTRUCTIONS

UNIT No. 136HI / 736HI THINLINE CLASSIC FRAMELESS CONTINUOUS HINGE SHOWER ENCLOSURE



INSTALLATION NOTES: Unpack your unit carefully and inspect for freight damage. Lay out and identify all parts using the instruction sheet as a reference. Before discarding the carton, check to see that no small hardware parts have fallen to the bottom of the box. If any parts are damaged or missing, refer to the descriptions noted in the instructions when contacting your dealer for replacements.

Handle the glass panel(s) carefully and protect the edges.

Please wear safety glasses whenever drilling or cutting. When drilling holes in ceramic tile or marble, use a center punch and hammer to carefully break the surface glaze so the drill bit can start without skidding.

To install your BASCO Shower Enclosure you will need the following: tape measure, level(s), #2 Phillips-head screwdriver, drill, 1/8" & 3/16" High Speed Steel drill bits, hacksaw, pencil, sharp knife or razor blade and caulking (clear, mildew resistant silicone recommended). Optional tools include a miter box for cutting metal parts, file, center punch and masking tape. An additional 3/16" Masonry drill bit is recommended for tiled applications.

The enclosure is best installed with two people.

NOTE: Tempered glass cannot be cut.

Although safety tempered glass is very resistant to breakage, the glass can still break if unequal pressure is placed on it during installation. Use caution! In addition, the sharp corners of the glass panels can damage tile and floor surfaces, so its best to handle the glass panels carefully and protect the edges.

MAINTENANCE: Two primary materials are used to manufacture your new BASCO Shower Enclosure: tempered glass and anodized aluminum. To assure a long lasting finish on the enclosure, wipe it down with a towel after each use. Never use a scouring pad/agent to clean the aluminum.

For occasional, more concentrated cleaning efforts, we recommend using *LYSOL*[™] Non-Abrasive Bathroom Cleaner works extremely well. Be sure that any over spray falling on the aluminum frame is rinsed thoroughly and dried. Many over-the-counter cleaners, if applied to aluminum and left on, will harm the finish and cause permanent damage, even though their directions indicate safe use on shower doors. For more care and cleaning information, please visit our website;

www.BASCOSHOWERDOOR.com

For glass treated with AquaGlide[™], read the following instructions:

After each use of your shower, use a small plastic bowl, pitcher or a hand held shower head to spray the shower doors with clean cold water. Pour or spray the cold water along the top edge of the glass. The majority of the shower's soapy residual water will drain off. Use a small hand towel to pat dry the remaining droplets or use a squeegee to clear the droplets.

Once a month, use a nylon sponge to go over the wet glass, rubbing in a circular motion. You should feel "sticky" places going back to slick again. Then pour water along the top edge of the glass, as you do after each shower use.

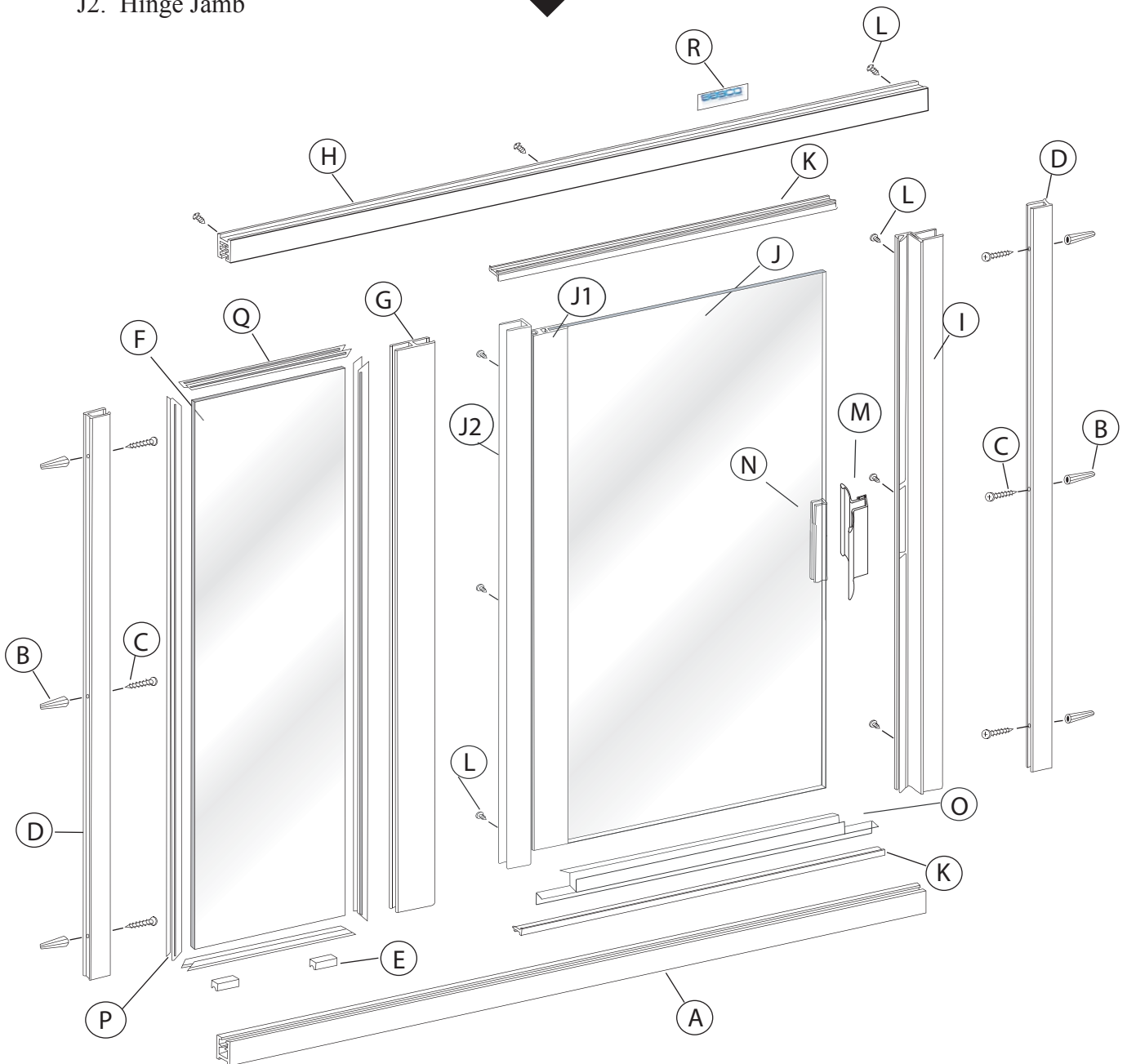
136HI / 736HI Parts List

- A. Curb (w/ weep holes) (1)
- B. Plastic wall anchor (6)
- C. #8 x 1 1/2" Truss Head Screw (6)
- D. Wall Jamb (2)
- E. Plastic Setting Block (2)
- F. Stationary Glass Panel (1)
- G. 180° Post (1)
- H. Header (1)
- I. Strike Jamb (w/ vinyl & magnet) (1)
- J. Door Panel Assembly (1)
- J1. Hinge Rail
- J2. Hinge Jamb

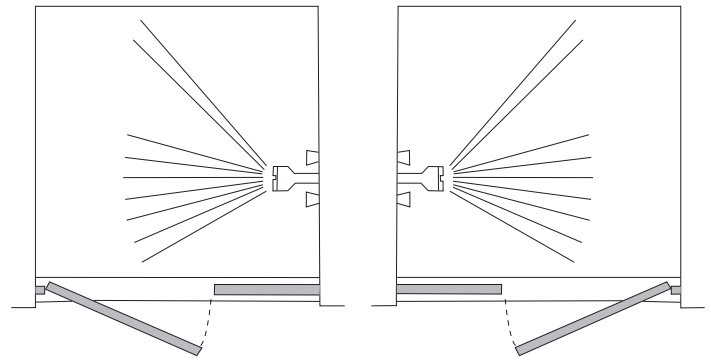
- K. Snap-in Filler (2)
- L. #8 x 1/4" Truss Head Screw (9)
- M. Handle (w/ Strike Plate) (1)
- N. Handle Vinyl (1)
- O. Clear Vinyl Sweep (1)
- P. Vertical Glazing Vinyl (4)
- Q. Horizontal Glazing Vinyl (4)
- R. Basco Decal (1)



**** If Quick 'N Stall option is selected, parts E, P, Q are not necessary.**



1 The Basco 136HI/736HI Continuous Hinge Shower Enclosure is completely reversible and may be installed hinge right or hinge left. For maximum leak protection, the hinge side should be opposite the shower head. Using the illustration, determine the proper hinge side for the door. This instruction sheet depicts a hinge-right installation. Careful as to not follow the illustrations exactly.

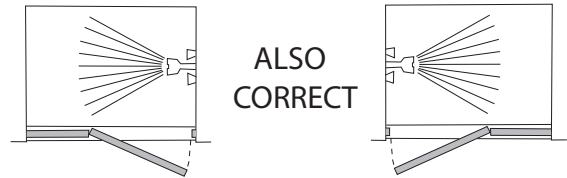


HINGE LEFT

HINGE RIGHT

CAUTION: For safety reasons, the door must *always open outward*.

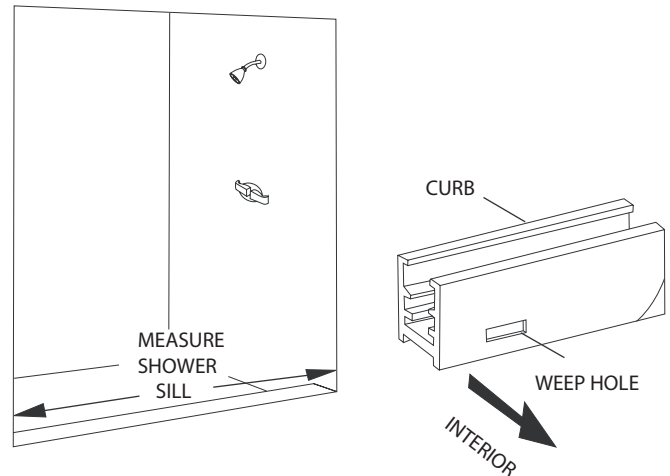
TIP: Temporarily cover the drain on the inside of the shower with some tape or a large piece of cardboard to prevent small screws, drill bits, etc from disappearing.



2 Measure the finished wall-to-wall opening at the shower sill. Cut the curb (w/ weep holes) [A] to fit the full width of the opening. If necessary, file the ends or corners of the curb to tightly fit the opening.

Place the curb in the center of the sill with the weep holes facing the shower. Mark its location on the sill, both inside and outside, with a pencil the full length of the curb.

TIP: Use two pieces of tape over the top of the curb to temporarily hold it in place.



3 Place one wall jamb [D] into the curb against the wall. Using a level, plumb the wall jamb and mark the hole locations on the wall with a pencil. Repeat this step for the other wall jamb. Remove all parts and drill the holes.

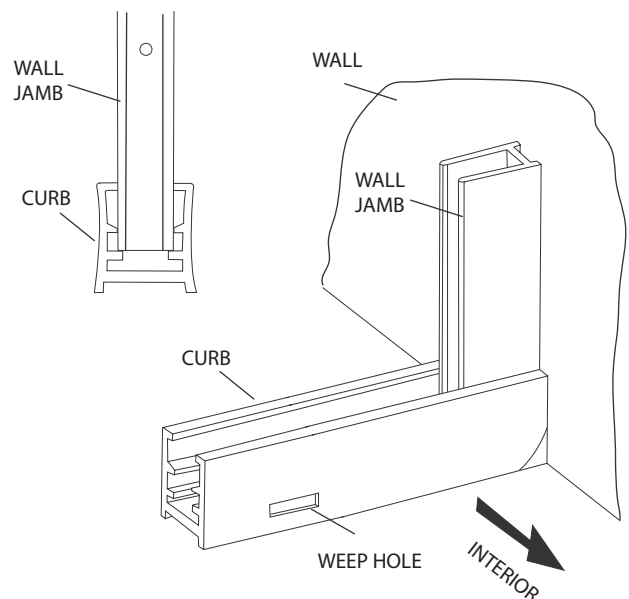
Tile or marble walls:

Drill 3/16" diameter holes into the walls and insert the plastic wall anchors [B].

Fiberglass or acrylic units can be done two different ways:

If the walls are not reinforced, drill 3/16" diameter holes and insert the the plastic wall anchors. (Toggle bolts may be used instead but they are not provided).

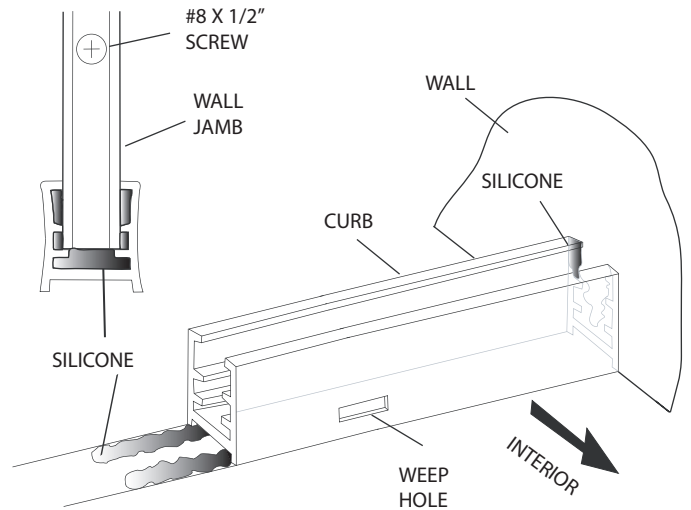
If the walls are reinforced, only drill 1/8" diameter holes.



4 Wipe the shower walls, sill, curb & wall jambs with a clean, dry cloth to remove any dust or debris. Apply a 1/4" bead of silicone along the inside of the pencil lines that were marked in Step #2. Carefully place the curb on the sill, over top the silicone, in the position marked. **BE SURE THE WEEP HOLES FACE THE INTERIOR.**

Silicone the inside of the curb at both ends where it meets the wall. **TIP:** Angle the tip so that silicone fills under the two "legs" in the curb that the wall jambs sit on.

Replace both wall jambs and attach them to the walls with the six #8 x 1 1/2" truss head screws [C].



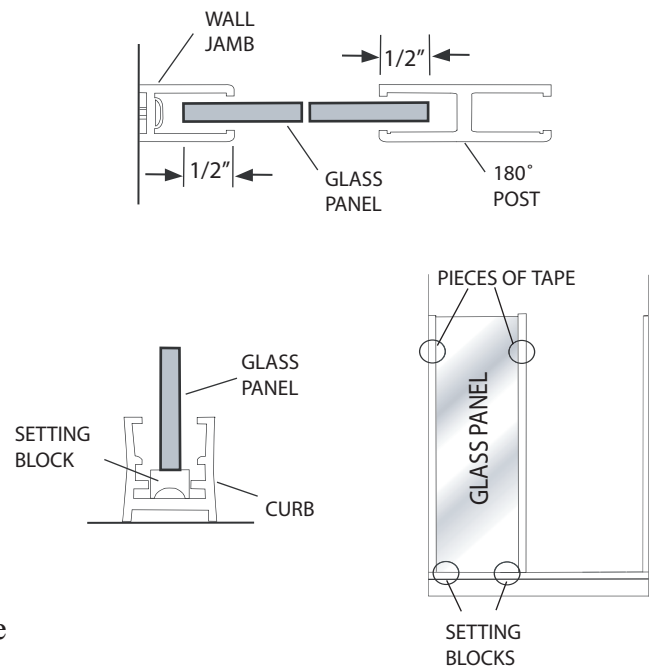
****Replace step #5 with instructions on Supplement Sheet if Quick 'N Stall option was selected****

5 Place two setting blocks [E] into the curb, flat side up, to support the stationary glass panel [F]. Position the blocks to be 3" from each corner of the glass panel. Set the glass panel in the curb on the setting blocks and slide into the wall jamb approximately 1/2". A piece of tape positioned 1/2" from each vertical edge will help placement.

NOTE: Patterned glass panels should be installed with the rough or patterned surface on the exterior of the enclosure.

Place the 180° post [G] into the curb and position it to overlap the glass by 1/2". Use masking tape to temporarily hold it in place.

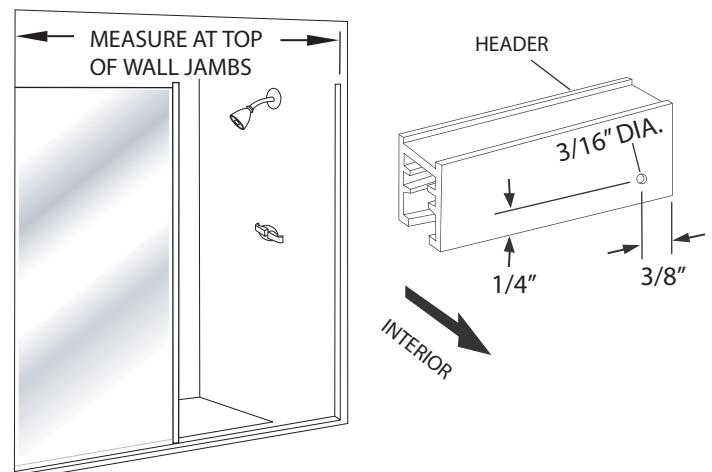
NOTE: Depending on out-of-plumb wall conditions, the 1/2" overlap might vary from 1/4" to 3/4". Use a level to determine if this is necessary.



6 Measure the finished wall-to-wall opening at the top where the header will go. Cut the header [H] to that dimension.

Using a 3/16" high speed drill bit, drill the interior face of the header on both ends as shown.

NOTE: Filing the ends of the header may allow for an easier fit.



7 Slide the header over the wall jambs and 180° post. Plumb the 180° post, making sure to maintain the proper coverage over the glass panel of 1/4" to 3/4" as described in Step # 5. Mark its' location on the header and curb with a light pencil mark or a piece of tape.

Measure the door panel width. (see illustration)

Measure the horizontal door opening (between the wall jamb and the 180° post) at the top, middle and bottom of the opening.

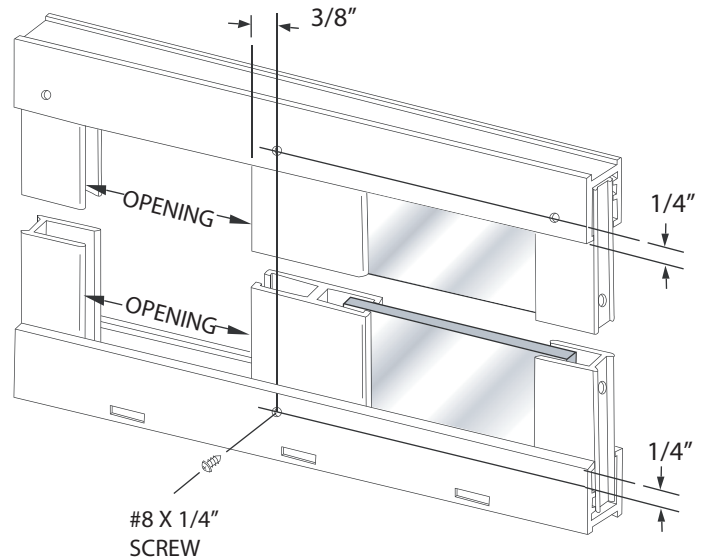
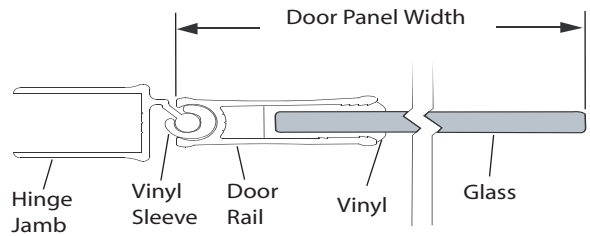
The *minimum* horizontal dimension of the door opening is the door panel width plus 1/2".
 The *maximum* horizontal dimension of the door opening is the door panel width plus 1 1/4".

Using the two holes in the interior face of the header as a guide, drill a 1/8" hole into each wall jamb.
TIP: Slide the glass panel out of the wall jamb before drilling to prevent damaging the panel.

Drill a 1/8" hole through the header and curb into the 180° post, on the open side of the post, not glass side

Remove the header and enlarge the 1/8" hole to 3/16" to allow clearance for the screw. Enlarge the hole in the curb as well. (*Careful not to enlarge the holes in the post*).

Replace the header and secure it to the wall jambs and secure the 180° post to the header and curb using four #8 x 1/4" truss head screws [L].

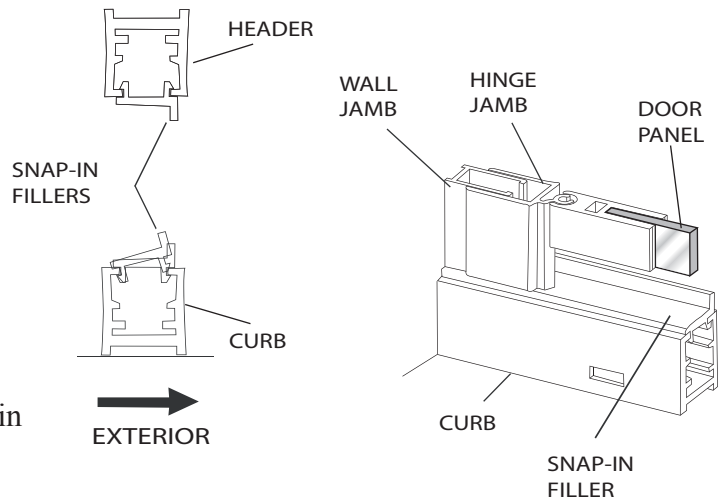


8 Slide the strike jamb [I] over the 180° post or the wall jamb, depending on hinge orientation. Use a piece of tape to temporarily hold in place.

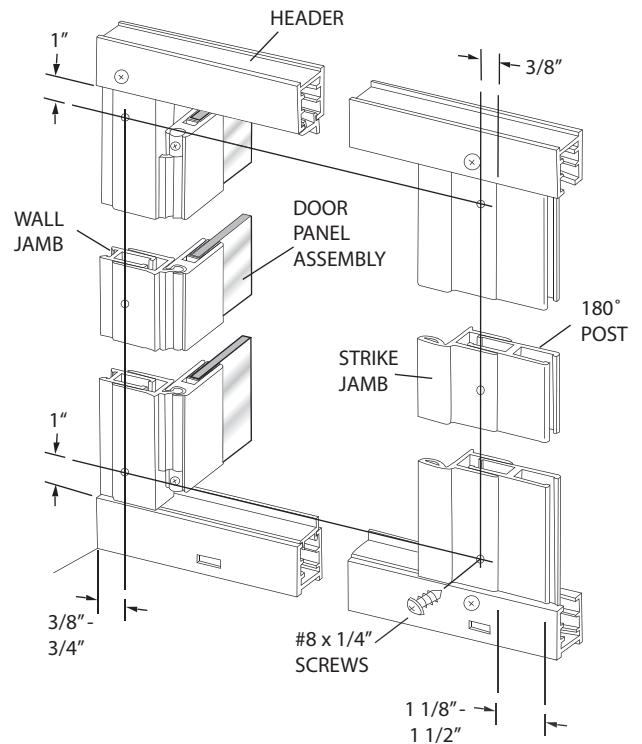
Orient the door [J] to the opening (either hinge left or right). Grab the door from the inside (the open side of the hinge jamb should be away from you).

Carefully lift the door into the opening and slide the hinge jamb over the available wall jamb or 180° post.

Holding the door in the open position, press the snap-in fillers [K] into the header and the curb, WITH THE RAISED LIP TO THE EXTERIOR. (see illustration)



9 Center the door in the opening by sliding the hinge jamb over the wall jamb (or 180° post) until the hinge jamb is **plumb** and the space between the door glass and header is **even** from hinge side to strike side. Drill two 1/8" holes thru the hinge jamb and into the wall jamb approximately 1" from the ends of the jambs at the top and bottom and approximately 3/8" from the edge of the open side of the hinge jamb. (see illustration) Drill a third hole in line with the first two and centered between them. Enlarge the three holes in the hinge jamb only with a 3/16" drill bit for clearance of the truss head screws. **CAREFUL: DO NOT** enlarge the holes in the wall jamb (or 180° post). Attach the hinge jamb permanently with three #8 x 1/4" truss head screws.



Slide the snap-in fillers tight against the hinge jamb. Slide the strike jamb tight against the snap-in fillers. With the hinge jamb plumb and both fillers tight between both jambs, the strike jamb will also be plumb and parallel to the hinge jamb.

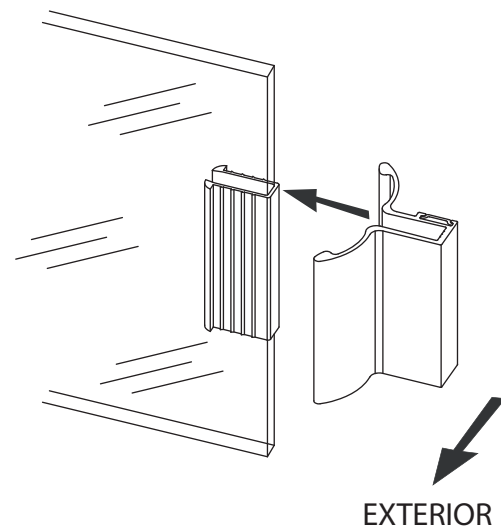
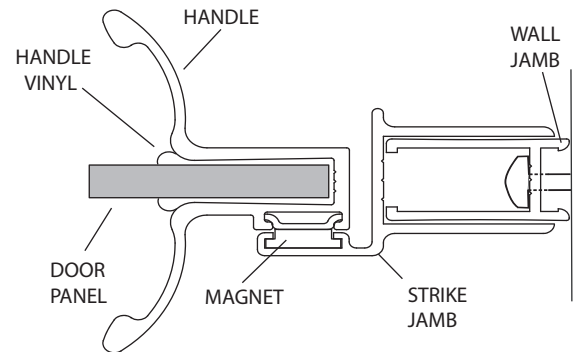
Drill and attach the strike jamb in the same manner as the hinge jamb.

10 Slide the door handle [M] onto the strike side of the door panel. Close the door and slide the handle up and down until the magnet and strike plate are aligned. Use a pencil and/or masking tape to mark the location of the handle on the door.

Place the vinyl material [N] over the strike edge of the door and carefully drive the handle onto the door panel using a rubber or plastic mallet.

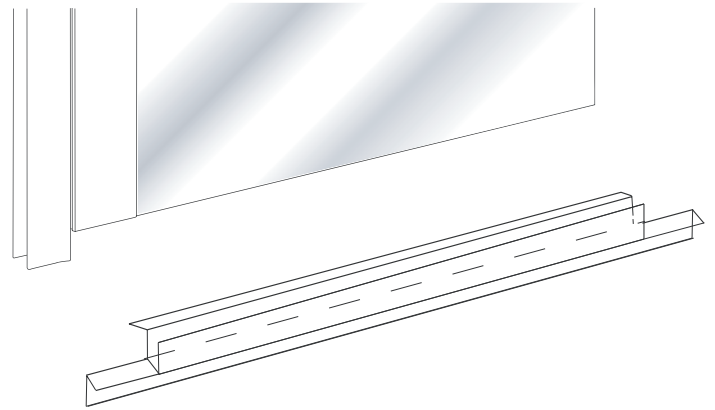
Close the door and check for proper operation of the handle and magnet. (If adjustment is needed, use a rubber or plastic mallet and a wood block and lightly tap into place). Trim the excess vinyl off with a utility knife.

NOTE: NEVER hit the door latch with a metal hammer!!



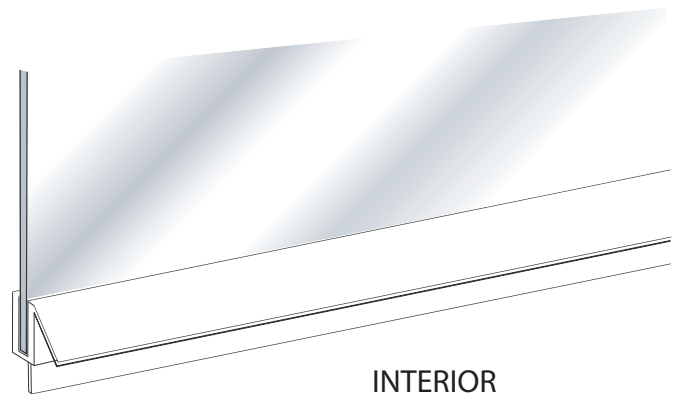
11 **NOTE:** The clear vinyl sweep [O] is notched on both ends. Installation depends on the hinge side.

With the door in the open position, slide the sweep onto the bottom of the door with the deflector lip on the interior and the notched side under the hinge rail of the door.



12 Mark on the sweep the strike edge of the glass with a pencil.

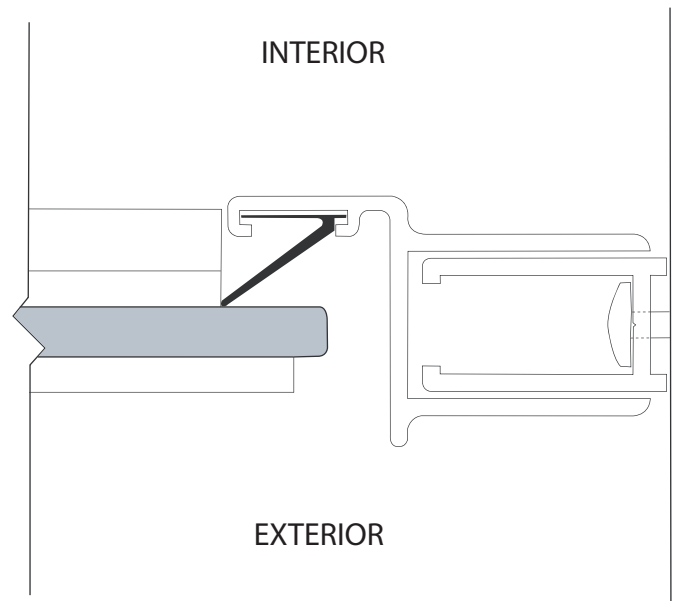
Remove the sweep from the door and cut the it even with the strike edge of the glass.



13 Place the sweep back onto the bottom of the door. Step inside the shower and close the door. Mark on the sweep at the edge of the strike jamb.

Open the door and remove the sweep. Trim the deflector lip and the inside portion of the sweep.

Replace the sweep and close the door. Check for clearance. The vertical strike jamb vinyl should touch the glass not the sweep. (see illustration)

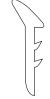





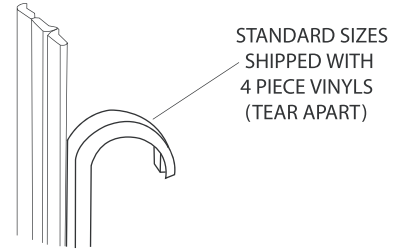
****Skip steps 14 - 16 if Quick 'N Stall option was selected****

14 Inspect the strips of black glazing vinyl and note the two different profiles. The flat shaped vinyl [P] is installed vertically and the crescent shaped vinyl [Q] is installed horizontally. There should be a total of four (4) individual vertical and four (4) individual horizontal pieces of vinyl about a 1/2" wide each. (May need to peel apart from a wider strip).

These vinyls are designed to fit tightly between the glass and metal frame. **TIP:** Wet the glass and vinyl with water or glass cleaner immediately before installing vinyl and use a small block of wood to press the vinyl into place.

NOTE: Different glass sizes require different vinyl. Refer to the chart for clarification if installation is extremely difficult.

FIXED GLASS PANEL	VERTICAL	HORIZONTAL
1/4" GLASS REQUIRES :	V-219 	V-220 
3/16" GLASS REQUIRES :	V-226  GROOVE	V-225  GROOVE

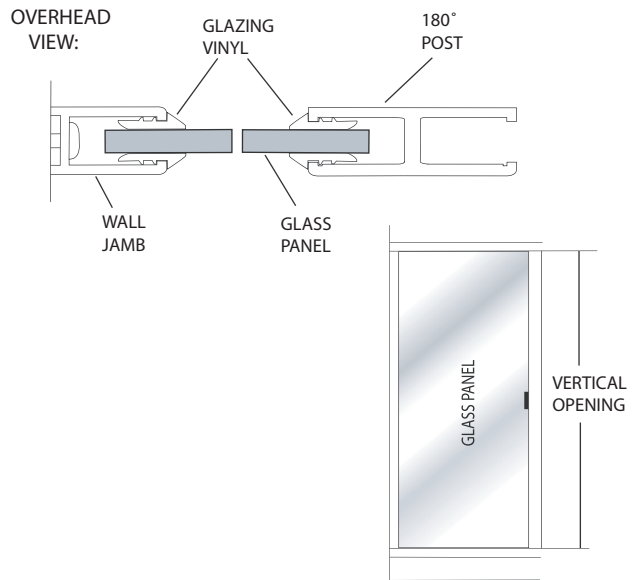


15 Cut the four (4) pieces of vertical vinyl [P] 1" longer than the vertical opening. Verify depth of glass into post and wall jamb is sufficient and even (refer to Step #5). Starting on the exterior, slide one end of the vertical vinyl up into the header and press into the wall jamb about 6" down.

Apply light pressure against the interior of the glass panel to hold vinyl in place and install vinyl on the interior in a similar fashion. Press the vinyl into the wall jamb alternating between the interior and exterior. Remove the tape from glass surface before installing the vinyl.

Caution: Do not stretch the vinyl when pressing into place.

Repeat above steps for the 180° post.

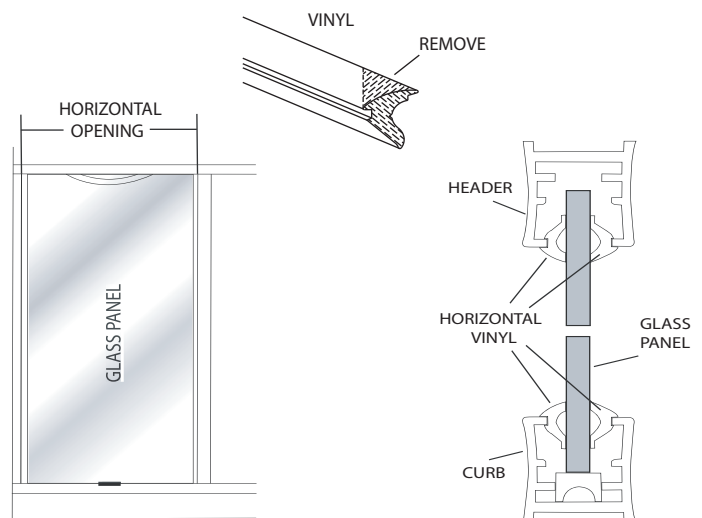


16 Cut four (4) pieces of the horizontal vinyl [Q] 1/2" longer than the horizontal opening. Cut both ends of the vinyl with a back mitre so that they sit tight against the face of the vertical vinyl. (see illustration)

Starting at the top on the exterior, place the vinyl against the glass (open side of the crescent shape against the glass) and press into the header at both corners. Continue pressing vinyl into the header from both ends working toward the middle.

Install the top interior vinyl on the same side.

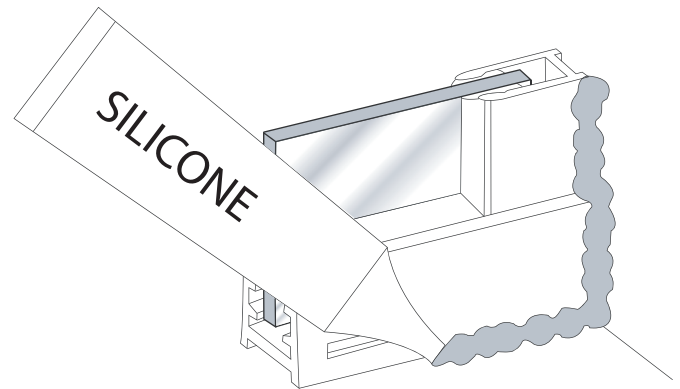
Repeat above steps for the bottom of the panel.



17 Carefully silicone the seam between the walls and the wall jambs as well as the curb and threshold on the inside of the shower.

NOTE: Silicone on the exterior seam is optional.

DO NOT USE the shower until the silicone is completely cured. Check the tube of silicone for the manufacturer recommended cure time. (typically 24 - 48 hours)



NOTE: Do not silicone over the weep holes

18 Peel off the backing on the BASCO decal [R] and apply it to the inside surface of the header.

