



Series e-90

Closed Coupled In-Line Centrifugal Pumps

Replacement Parts

Index

How to Use This Parts List 2

Exploded Views of Series e-90 3

Standard Size Pump Designations 4

1AAB Pump Parts 5

1.25 AAB Pump Parts 6

1.5 AAB Pump Parts 7

2AAB Pump Parts 8

3AAB Pump Parts 9

2AAC Pump Parts 10

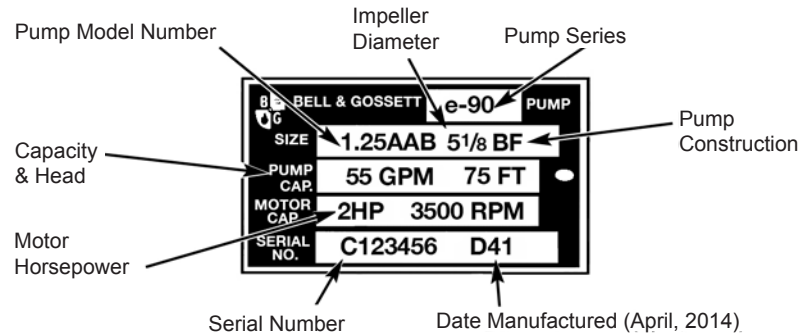
1.5AB Pump Parts 11

2AB Pump Parts 12



How to use this Parts List

The pump nameplate identifies the pump by pipe size, pump construction and impeller diameter as shown below.

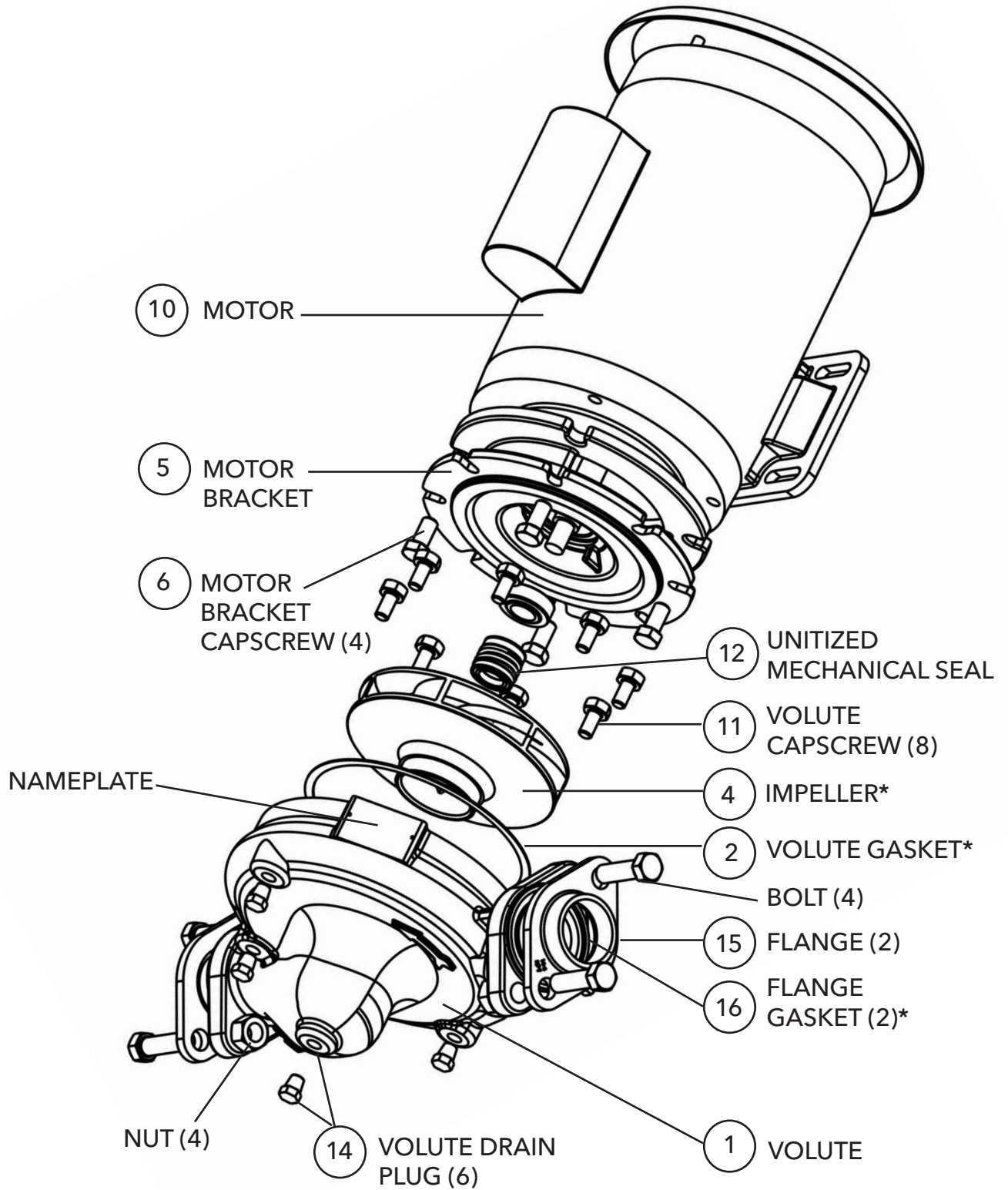


The nameplate above identifies the pump as a Series e-90, 1.25AAB in bronze fitted (BF) construction. The impeller diameter is 5.125" and is capable of pumping 55 GPM at 75FT. The motor horsepower is 2, the RPM is 3500. The serial number specifically identifies the unit for future reference. **DO NOT REMOVE THE NAMEPLATE.** It is important when ordering replacement parts to furnish complete nameplate data.

The following procedure will result in proper parts selection:

1. Determine from the nameplate the pump size, pump construction and impeller diameter.
2. Refer to the index for the page number of the parts breakdown for the specific size pump.
3. Find the proper column in the parts breakdown for the pump construction involved.
4. Select part numbers, using the drawing on page 4 for identification.
5. Always give complete motor nameplate data when ordering replacement motors.

Series e-90 Pump Exploded View



* Factory recommended spare parts

STANDARD SIZE DESIGNATIONS

PUMP SIZE	MODEL NUMBER	MOTOR	HP	VOLTAGE	PH	RPM	FRAME	IMPELLER	IMPELLER DIAMETER	SEAL KIT	
1AAB	e9001S	SM2093	0.25	115/208-230	1	1725	56J	P2001372	4.5"	186094LF	
	e9002S	SM2094	0.33	115/208-230	1	1725	56J	P2001376	5"	186094LF	
	e9003S	SM2081	0.50	115/208-230	1	1725	56J	P2000812	5.25"	186094LF	
	e9003T	SM2108	0.50	208-230/460	3	1725	56J	P2001373	4.25"	186094LF	
	e9020S	SM2085	1	208-230/115	1	3450	56J	P2001374	3.75"	186094LF	
	e9020T	SM2103	1	208-230/460	3	3450	56J	P2001374	3.75"	186094LF	
	e9021S	SM2087	1.5	208-230/115	1	3450	56J	P2001373	4.25"	186094LF	
	e9021T	SM2104	1.5	208-230/460	3	3450	56J	P2001373	4.25"	186094LF	
	e9022S	SM2088	2	208-230/115	1	3450	56J	P2001371	4.75"	186094LF	
	e9022T	SM2105	2	208-230/460	3	3450	56J	P2001371	4.75"	186094LF	
	e9023S	SM2089	3	208-230	1	3450	56J	P2000812	5.25"	186094LF	
	e9023T	SM2106	3	208-230/460	3	3450	56J	P2000812	5.25"	186094LF	
1.25AAB	e9004S	SM2093	0.25	115/208-230	1	1725	56J	P2001373	4.25"	186094LF	
	e9005S	SM2094	0.33	115/208-230	1	1725	56J	P2001372	4.5"	186094LF	
	e9006S	SM2081	0.50	115/208-230	1	1725	56J	P2000812	5.25"	186094LF	
	e9006T	SM2108	0.50	208-230/460	3	1725	56J	P2000812	5.25"	186094LF	
	e9025S	SM2087	1.5	208-230/115	1	3450	56J	P2001374	3.75"	186094LF	
	e9025T	SM2104	1.5	208-230/460	3	3450	56J	P2001374	3.75"	186094LF	
	e9026S	SM2088	2	208-230/115	1	3450	56J	P2001373	4.25"	186094LF	
	e9026T	SM2105	2	208-230/460	3	3450	56J	P2001373	4.25"	186094LF	
	e9027S	SM2089	3	208-230	1	3450	56J	P2001371	4.75"	186094LF	
	e9027T	SM2106	3	208-230/460	3	3450	56J	P2001371	4.75"	186094LF	
	e9028T	SM2107	5	208-230/460	3	3450	56J	P2000812	5.25"	186094LF	
	1.5AAB	e9007S	SM2093	0.25	115/208-230	1	1725	56J	P2001369	4"	186094LF
e9008S		SM2094	0.33	115/208-230	1	1725	56J	P2001368	4.375"	186094LF	
e9009S		SM2081	0.50	115/208-230	1	1725	56J	P2001366	5"	186094LF	
e9009T		SM2108	0.50	208-230/460	3	1725	56J	P2001366	5"	186094LF	
e9010S		SM2083	0.75	208-230/115	1	1725	56J	P2000814	5.25"	186094LF	
e9010T		SM2109	0.75	208-230/460	3	1725	56J	P2000814	5.25"	186094LF	
e9029S		SM2087	1.5	208-230/115	1	3450	56J	P2001370	3.25"	186094LF	
e9029T		SM2104	1.5	208-230/460	3	3450	56J	P2001370	3.25"	186094LF	
e9030S		SM2088	2	208-230/115	1	3450	56J	P2001369	4"	186094LF	
e9030T		SM2105	2	208-230/460	3	3450	56J	P2001369	4"	186094LF	
e9031S		SM2089	3	208-230	1	3450	56J	P2001367	4.5"	186094LF	
e9031T		SM2106	3	208-230/460	3	3450	56J	P2001367	4.5"	186094LF	
e9032T		SM2107	5	208-230/460	3	3450	56J	P2000814	5.25"	186094LF	
2AAB		e9011S	SM2094	0.33	115/208-230	1	1725	56J	P2001363	3.5"	186094LF
	e9012S	SM2081	0.50	115/208-230	1	1725	56J	P2001362	4.25"	186094LF	
	e9012T	SM2108	0.50	208-230/460	3	1725	56J	P2001362	4.25"	186094LF	
	e9013S	SM2083	0.75	208-230/115	1	1725	56J	P2001361	4.75"	186094LF	
	e9013T	SM2109	0.75	208-230/460	3	1725	56J	P2001361	4.75"	186094LF	
	e9014S	SM2097	1	208-230/115	1	1725	56J	P2000816	5.25"	186094LF	
	e9014T	SM2110	1	208-230/460	3	1725	56J	P2000816	5.25"	186094LF	
	e9033S	SM2088	2	208-230/115	1	3450	56J	P2001364	3.38"	186094LF	
	e9033T	SM2105	2	208-230/460	3	3450	56J	P2001364	3.38"	186094LF	
	e9034S	SM2089	3	208-230	1	3450	56J	P2001384	3.75"	186094LF	
	e9034T	SM2106	3	208-230/460	3	3450	56J	P2001363	3.5"	186094LF	
	e9035T	SM2107	5	208-230/460	3	3450	56J	P2001365	4.5"	186094LF	
	3AAB	e9015S	SM2094	0.33	115/208-230	1	1725	56J	P2001363	3.5"	186094LF
		e9016S	SM2081	0.50	115/208-230	1	1725	56J	P2001321	4"	186094LF
e9016T		SM2108	0.50	208-230/460	3	1725	56J	P2001321	4"	186094LF	
e9017S		SM2083	0.75	208-230/115	1	1725	56J	P2001320	4.69"	186094LF	
e9017T		SM2109	0.75	208-230/460	3	1725	56J	P2001320	4.69"	186094LF	
e9018S		SM2097	1	208-230/115	1	1725	56J	P2000816	5.25"	186094LF	
e9018T		SM2110	1	208-230/460	3	1725	56J	P2000816	5.25"	186094LF	
e9036S		SM2089	3	208-230	1	3450	56J	P2001384	3.75"	186094LF	
e9036T		SM2106	3	208-230/460	3	3450	56J	P2001384	3.75"	186094LF	
e9037T		SM2107	5	208-230/460	3	3450	56J	P2001362	4.25"	186094LF	

1AAB

ITEM NO.	DESCRIPTION	PUMP CONSTRUCTION	
		BRONZE FITTED	ALL BRONZE
PARTS COMMON TO BOTH PUMP TYPES			
1	Volute	P57081	P2000037
14	Volute Drain Plug (6)	P39020	P39470
11	Volute Capscrew (8)	P10359	P10359
2	Volute Gasket	P57410	P57410
15	Flange (2)	P01510	P00794
	Fastener Package	P64910	P64910
6	Motor Bracket Capscrew (4)	DJ0063	DJ0063
4	Impeller (State Diameter)	P2000812	P2000812
12	Seal - Std *	P2000805	P2000805
12	Seal - Opt **	P2000806	P2000806
12	Seal - Opt***	P2000807	P2000807
5	Motor Bracket	P2001335	P2001318
5	Motor Bracket -F Construction	P2001360	P2001359

* EPR/Carbon/Silicon-Carbide

** FKM/Carbon/Silicon Carbide

*** Graphite/Silicon-Carbide

MOTOR SELECTION CHART

HP	1 PHASE 1800RPM	3 PHASE 1800 RPM	1 PHASE 3600RPM	3 PHASE 3600RPM
1/4 HP	SM2093			
1/3 HP	SM2094			
1/2 HP	SM2081	SM2108		
3/4 HP				
1 HP			SM2085	SM2103
1-1/2 HP			SM2087	SM2104
2 HP			SM2088	SM2105
3 HP			SM2089	SM2106
5 HP				SM2107

1.25AAB

ITEM NO.	DESCRIPTION	PUMP CONSTRUCTION	
		BRONZE FITTED	ALL BRONZE
PARTS COMMON TO BOTH PUMP TYPES			
1	Volute	P57081	P2000037
14	Volute Drain Plug (6)	P39020	P39470
11	Volute Capscrew (8)	P10359	P10359
2	Volute Gasket	P57410	P57410
15	Flange (2)	P03250	P2000088
	Fastener Package	P64910	P64910
6	Motor Bracket Capscrew (4)	DJ0063	DJ0063
4	Impeller (State Diameter)	P2000812	P2000812
12	Seal - Std *	P2000805	P2000805
12	Seal - Opt **	P2000806	P2000806
12	Seal - Opt***	P2000807	P2000807
5	Motor Bracket	P2001335	P2001318
5	Motor Bracket -F Construction	P2001360	P2001359

* EPR/Carbon/Silicon-Carbide

** FKM/Carbon/Silicon Carbide

*** Graphite/Silicon-Carbide

MOTOR SELECTION CHART

HP	1 PHASE 1800 RPM	3 PHASE 1800 RPM	1 PHASE 3600 RPM	3 PHASE 3600 RPM
1/4 HP	SM2093			
1/3 HP	SM2094			
1/2 HP	SM2081	SM2108		
3/4 HP				
1 HP				
1-1/2 HP			SM2087	SM2104
2 HP			SM2088	SM2105
3 HP			SM2089	SM2106
5 HP				SM2107

1.5AAB

ITEM NO.	DESCRIPTION	PUMP CONSTRUCTION	
		BRONZE FITTED	ALL BRONZE
PARTS COMMON TO BOTH PUMP TYPES			
1	Volute	P57151	P2000040
14	Volute Drain Plug (6)	P39020	P39470
11	Volute Capscrew (8)	P10359	P10359
2	Volute Gasket	P57410	P57410
15	Flange (2)	P03410	P2000090
	Fastener Package	P64940	P64930
6	Motor Bracket Capscrew (4)	DJ0063	DJ0063
4	Impeller (State Diameter)	P2000814	P2000814
12	Seal - Std *	P2000805	P2000805
12	Seal - Opt **	P2000806	P2000806
12	Seal - Opt***	P2000807	P2000807
5	Motor Bracket	P2001335	P2001318
5	Motor Bracket -F Construction	P2001360	P2001359

* EPR/Carbon/Silicon-Carbide

** FKM/Carbon/Silicon Carbide

*** Graphite/Silicon-Carbide

MOTOR SELECTION CHART

HP	1 PHASE 1800 RPM	3 PHASE 1800 RPM	1 PHASE 3600 RPM	3 PHASE 3600 RPM
1/4 HP	SM2093			
1/3 HP	SM2094			
1/2 HP	SM2081	SM2108		
3/4 HP	SM2083	SM2109		
1 HP				
1-1/2 HP			SM2087	SM2104
2 HP			SM2088	SM2105
3 HP			SM2089	SM2106
5 HP				SM2107

2AAB

ITEM NO.	DESCRIPTION	PUMP CONSTRUCTION	
		BRONZE FITTED	ALL BRONZE
PARTS COMMON TO BOTH PUMP TYPES			
1	Volute	P57221	P2000043
14	Volute Drain Plug (6)	P39020	P39470
11	Volute Capscrew (8)	P10359	P10359
2	Volute Gasket	P57410	P57410
15	Flange (2)	F14200	P2000078
	Fastener Package	P65031	P65030
6	Motor Bracket Capscrew (4)	DJ0063	DJ0063
4	Impeller (State Diameter)	P2000816	P2000816
12	Seal - Std *	P2000805	P2000805
12	Seal - Opt **	P2000806	P2000806
12	Seal - Opt***	P2000807	P2000807
5	Motor Bracket	P2001335	P2001318
5	Motor Bracket -F Construction	P2001360	P2001359

* EPR/Carbon/Silicon-Carbide

** FKM/Carbon/Silicon Carbide

*** Graphite/Silicon-Carbide

MOTOR SELECTION CHART

HP	1 PHASE 1800 RPM	3 PHASE 1800 RPM	1 PHASE 3600 RPM	3 PHASE 3600 RPM
1/4 HP				
1/3 HP	SM2094			
1/2 HP	SM2081	SM2108		
3/4 HP	SM2083	SM2109		
1 HP	SM2097	SM2110		
1-1/2 HP				
2 HP			SM2088	SM2105
3 HP			SM2089	SM2106
5 HP				SM2107

3AAB

ITEM NO.	DESCRIPTION	PUMP CONSTRUCTION	
		BRONZE FITTED	ALL BRONZE
PARTS COMMON TO BOTH PUMP TYPES			
1	Volute	P08420	P2000014
14	Volute Drain Plug (6)	P39020	P39470
11	Volute Capscrew (8)	P10359	P10359
2	Volute Gasket	P57410	P57410
15	Flange (2)	F74000	P2000081
	Flange Gasket Set	P65131	P65131
	Fastener Package	P65130	P65130
6	Motor Bracket Capscrew (4)	DJ0063	DJ0063
4	Impeller (State Diameter)	P2000816	P2000816
12	Seal - Std *	P2000805	P2000805
12	Seal - Opt **	P2000806	P2000806
12	Seal - Opt***	P2000807	P2000807
5	Motor Bracket	P2001335	P2001318
5	Motor Bracket -F Construction	P2001360	P2001359

* EPR/Carbon/Silicon-Carbide

** FKM/Carbon/Silicon Carbide

*** Graphite/Silicon-Carbide

MOTOR SELECTION CHART

HP	1 PHASE 1800 RPM	3 PHASE 1800 RPM	1 PHASE 3600 RPM	3 PHASE 3600 RPM
1/4 HP				
1/3 HP	SM2094			
1/2 HP	SM2081	SM2108		
3/4 HP	SM2083	SM2109		
1 HP	SM2097	SM2110		
1-1/2 HP	SM2087	SM2111		
2 HP			SM2088	SM2105
3 HP			SM2089	SM2106
5 HP				SM2107

2AAC

ITEM NO.	DESCRIPTION	PUMP CONSTRUCTION	
		BRONZE FITTED	ALL BRONZE
PARTS COMMON TO BOTH PUMP TYPES			
1	Volute	P57221	P2000043
14	Volute Drain Plug (6)	P39020	P39470
11	Volute Capscrew (8)	P10359	P10359
2	Volute Gasket	P57410	P57410
15	Flange (2)	F14200	P2000078
	Fastener Package	P65031	P65030
6	Motor Bracket Capscrew (4)	DJ0063	DJ0063
4	Impeller (State Diameter)	P2000818	P2000818
12	Seal - Std *	P2000805	P2000805
12	Seal - Opt **	P2000806	P2000806
12	Seal - Opt***	P2000807	P2000807
5	Motor Bracket	P2001335	P2001318
5	Motor Bracket -F Construction	P2001360	P2001359

* EPR/Carbon/Silicon-Carbide

** FKM/Carbon/Silicon Carbide

*** Graphite/Silicon-Carbide

MOTOR SELECTION CHART

HP	1 PHASE 1800 RPM	3 PHASE 1800 RPM	1 PHASE 3600 RPM	3 PHASE 3600 RPM
1/4 HP	SM2093			
1/3 HP	SM2094			
1/2 HP	SM2081	SM2108		
3/4 HP	SM2083	SM2109		
1 HP	SM2097	SM2110		
1-1/2 HP	SM2087	SM2111		
2 HP			SM2088	SM2105
3 HP			SM2089	SM2106
5 HP				SM2107

1.5AB

ITEM NO.	DESCRIPTION	PUMP CONSTRUCTION	
		BRONZE FITTED	ALL BRONZE
PARTS COMMON TO BOTH PUMP TYPES			
1	Volute	P57181	P2000046
14	Volute Drain Plug (6)	P39020	P39470
11	Volute Capscrew (8)	P40020	P40020
2	Volute Gasket	P57700	P57700
15	Flange (2)	P03410	P2000090
	Fastener Package	P64940	P64930
6	Motor Bracket Capscrew (4)	P40020	P40020
4	Impeller (State Diameter)	P2001314	P2001314
12	Seal - Std *	P2000805	P2000805
12	Seal - Opt **	P2000806	P2000806
12	Seal - Opt***	P2000807	P2000807
5	Motor Bracket	P2001337	P2001339

* EPR/Carbon/Silicon-Carbide

** FKM/Carbon/Silicon Carbide

*** Graphite/Silicon-Carbide

MOTOR SELECTION CHART

HP	1 PHASE 1800 RPM	3 PHASE 1800 RPM
1/4 HP		
1/3 HP		
1/2 HP	SM2081	SM2108
3/4 HP	SM2083	SM2109
1 HP	SM2097	SM2110
1-1/2 HP	SM2090	SM2111
2 HP	SM2091	SM2112
3 HP		
5 HP		

2AB

ITEM NO.	DESCRIPTION	PUMP CONSTRUCTION	
		BRONZE FITTED	ALL BRONZE
PARTS COMMON TO BOTH PUMP TYPES			
1	Volute	P57278	P2000049
14	Volute Drain Plug (6)	P39020	P39470
11	Volute Capscrew (8)	P40020	P40020
2	Volute Gasket	P57700	P57700
15	Flange (2)	F14200	P2000078
	Fastener Package	P65031	P65030
6	Motor Bracket Capscrew (4)	P40020	P40020
4	Impeller (State Diameter)	P2001316	P2001316
12	Seal - Std *	P2000805	P2000805
12	Seal - Opt **	P2000806	P2000806
12	Seal - Opt***	P2000807	P2000807
5	Motor Bracket	P2001337	P2001339

- * EPR/Carbon/Silicon-Carbide
- ** FKM/Carbon/Silicon Carbide
- *** Graphite/Silicon-Carbide

MOTOR SELECTION CHART

HP	1 PHASE 1800 RPM	3 PHASE 1800 RPM
1/4 HP		
1/3 HP		
1/2 HP		
3/4 HP	SM2083	SM2109
1 HP	SM2097	SM2110
1-1/2 HP	SM2090	SM2111
2 HP	SM2091	SM2112
3 HP	SM2092	SM2113
5 HP		

Xylem |'zīləm|

- 1) The tissue in plants that brings water upward from the roots;
- 2) a leading global water technology company.

We're 12,500 people unified in a common purpose: creating innovative solutions to meet our world's water needs. Developing new technologies that will improve the way water is used, conserved, and re-used in the future is central to our work. We move, treat, analyze, and return water to the environment, and we help people use water efficiently, in their homes, buildings, factories and farms. In more than 150 countries, we have strong, long-standing relationships with customers who know us for our powerful combination of leading product brands and applications expertise, backed by a legacy of innovation.

For more information on how Xylem can help you, go to www.xylem.com



Xylem Inc.
8200 N. Austin Avenue
Morton Grove, Illinois 60053
Phone: (847) 966-3700
Fax: (847) 965-8379
www.bellgossett.com

Bell & Gossett is a trademark of Xylem Inc. or one of its subsidiaries.
© 2014 Xylem Inc. CP-113-PL April 2014