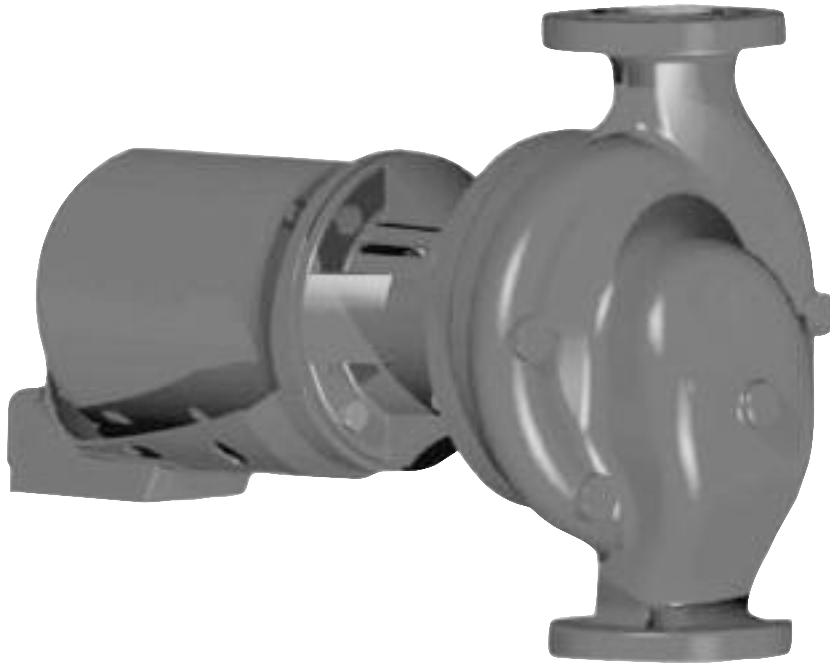




**Bell & Gossett®**  
Parts List CP-106F-PL



---

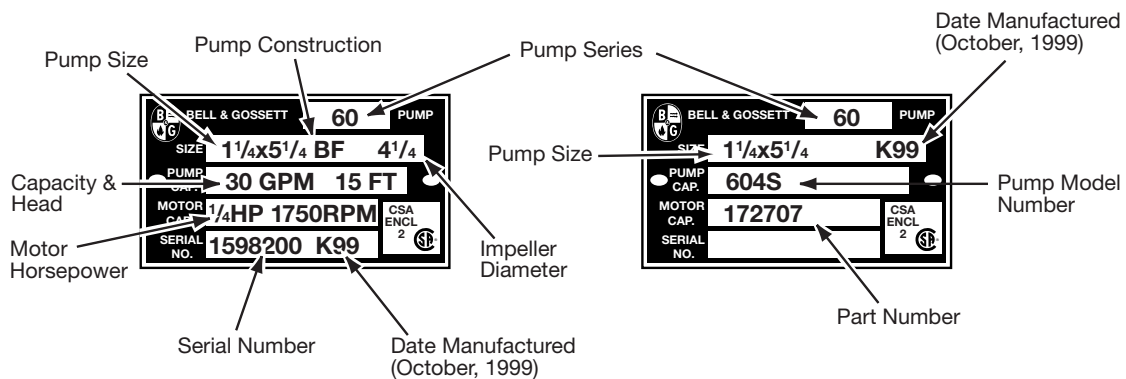
Replacement Parts for  
**Series 60**  
Maintenance Free  
In-Line Mounted  
Centrifugal Pumps

*Engineered for life*

**SERIES 60**

# How to use this PARTS LIST

The pump nameplate identifies the pump by model number, pump construction and impeller diameter as shown below.



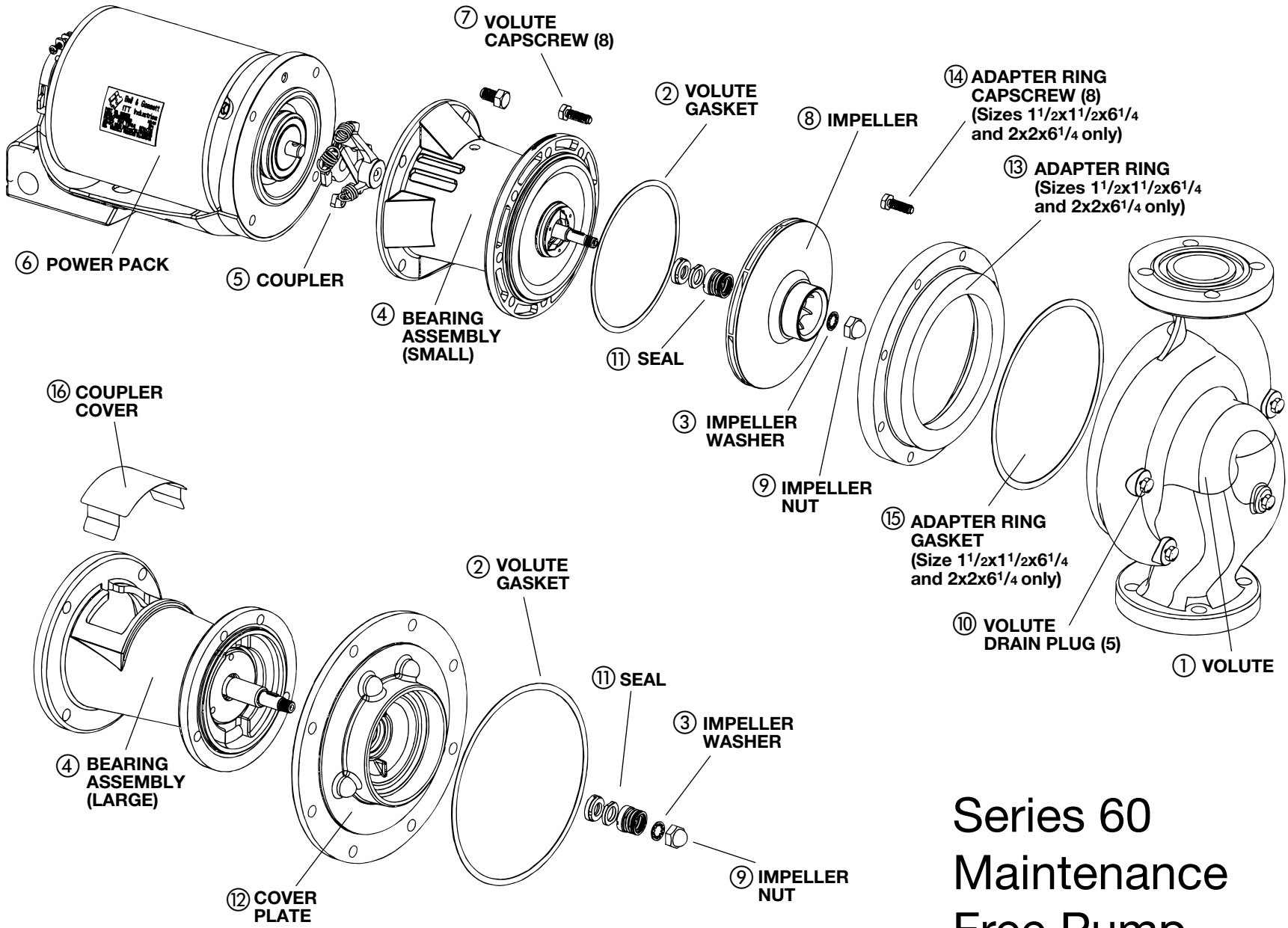
**NAMEPLATE FOR  
BUILT-TO-ORDER PUMPS**

**NAMEPLATE FOR  
STOCK PUMPS**

The BTO nameplate above identifies the pump as a Series 60, size 1<sup>1</sup>/<sub>4</sub>x5<sup>1</sup>/<sub>4</sub> in bronze fitted (BF) construction. The impeller diameter is 4<sup>1</sup>/<sub>4</sub>" and is capable of pumping 30 GPM at 15 FT. The motor horsepower is 1/4, the RPM is 1750. The serial number specifically identifies the unit for future reference. **DO NOT REMOVE THE NAMEPLATE.** It is important when ordering replacement parts to furnish complete nameplate data.

The following procedure will result in proper parts selection.

1. Determine from the nameplate the model number, pump construction and impeller diameter.
2. Refer to the index for the page number of the parts breakdown for the specific model pump.
3. Find the proper column in the parts breakdown for the pump construction involved.
4. Select part numbers using the numbered drawings on page 4 for identification.



# Series 60 Maintenance Free Pump

Exploded View

## STANDARD SIZE DESIGNATIONS

PUMP SIZE	EQUIVALENT SIZE	HP	(6) MOTOR		(5)	(4)	IMPELLER DIAMETER	(8) IMPELLER
			1 PHASE 115/208-230	3 PHASE 208-230/460	COUPLER	BEARING† ASSEMBLY		
601S & 601T	1x1x5 <sup>1</sup> / <sub>4</sub>	1/4	169224	169225	118473	185332LF	4 <sup>3</sup> / <sub>8</sub> "	P82878
B601S & B601T	1x1x5 <sup>1</sup> / <sub>4</sub>	1/4	169224	169225	118473	185332LF	4 <sup>3</sup> / <sub>8</sub> "	P82878
602S & 602T	1x1x5 <sup>1</sup> / <sub>4</sub>	1/3	169226	169227	118473	185332LF	4 <sup>27</sup> / <sub>32</sub> "	P82877
B602 & B602T	1x1x5 <sup>1</sup> / <sub>4</sub>	1/3	169226	169227	118473	185332LF	4 <sup>27</sup> / <sub>32</sub> "	P82877
603S & 603T	1x1x5 <sup>1</sup> / <sub>4</sub>	1/2	169228	169229	118473	185332LF	5 <sup>1</sup> / <sub>4</sub> "	P58541
B603S & B603T	1x1x5 <sup>1</sup> / <sub>4</sub>	1/2	169228	169229	118473	185332LF	5 <sup>1</sup> / <sub>4</sub> "	P58541
604S & 604T	1 <sup>1</sup> / <sub>4</sub> x1 <sup>1</sup> / <sub>4</sub> x5 <sup>1</sup> / <sub>4</sub>	1/4	169224	169225	118473	185332LF	4 <sup>3</sup> / <sub>8</sub> "	P82878
B604S & B604T	1 <sup>1</sup> / <sub>4</sub> x1 <sup>1</sup> / <sub>4</sub> x5 <sup>1</sup> / <sub>4</sub>	1/4	169224	169225	118473	185332LF	4 <sup>3</sup> / <sub>8</sub> "	P82878
605S & 605T	1 <sup>1</sup> / <sub>4</sub> x1 <sup>1</sup> / <sub>4</sub> x5 <sup>1</sup> / <sub>4</sub>	1/3	169226	169227	118473	185332LF	4 <sup>27</sup> / <sub>32</sub> "	P82877
B605S & B605T	1 <sup>1</sup> / <sub>4</sub> x1 <sup>1</sup> / <sub>4</sub> x5 <sup>1</sup> / <sub>4</sub>	1/3	169226	169227	118473	185332LF	4 <sup>27</sup> / <sub>32</sub> "	P82877
606S & 606T	1 <sup>1</sup> / <sub>4</sub> x1 <sup>1</sup> / <sub>4</sub> x5 <sup>1</sup> / <sub>4</sub>	1/2	169228	169229	118473	185332LF	5 <sup>1</sup> / <sub>4</sub> "	P58541
B606S & B606T	1 <sup>1</sup> / <sub>4</sub> x1 <sup>1</sup> / <sub>4</sub> x5 <sup>1</sup> / <sub>4</sub>	1/2	169228	169229	118473	185332LF	5 <sup>1</sup> / <sub>4</sub> "	P58541
607S & 607T	1 <sup>1</sup> / <sub>2</sub> x1 <sup>1</sup> / <sub>2</sub> x5 <sup>1</sup> / <sub>4</sub>	1/3	169226	169227	118473	185332LF	4 <sup>3</sup> / <sub>8</sub> "	P82881
B607S & B607T	1 <sup>1</sup> / <sub>2</sub> x1 <sup>1</sup> / <sub>2</sub> x5 <sup>1</sup> / <sub>4</sub>	1/3	169226	169227	118473	185332LF	4 <sup>3</sup> / <sub>8</sub> "	P82881
608S & 608T	1 <sup>1</sup> / <sub>2</sub> x1 <sup>1</sup> / <sub>2</sub> x5 <sup>1</sup> / <sub>4</sub>	1/2	169228	169229	118473	185332LF	4 <sup>15</sup> / <sub>16</sub> "	P82880
B608S & B608T	1 <sup>1</sup> / <sub>2</sub> x1 <sup>1</sup> / <sub>2</sub> x5 <sup>1</sup> / <sub>4</sub>	1/2	169228	169229	118473	185332LF	4 <sup>15</sup> / <sub>16</sub> "	P82880
609S & 609T	1 <sup>1</sup> / <sub>2</sub> x1 <sup>1</sup> / <sub>2</sub> x5 <sup>1</sup> / <sub>4</sub>	3/4	169230	169231	118473	185332LF	5 <sup>1</sup> / <sub>4</sub> "	P58538
B609S & B609T	1 <sup>1</sup> / <sub>2</sub> x1 <sup>1</sup> / <sub>2</sub> x5 <sup>1</sup> / <sub>4</sub>	3/4	169230	169231	118473	185332LF	5 <sup>1</sup> / <sub>4</sub> "	P58538
610S & 610T	2x2x5 <sup>1</sup> / <sub>4</sub>	1/2	169228	169229	185329	185332LF	4 <sup>1</sup> / <sub>8</sub> "	P82883
B610S & B610T	2x2x5 <sup>1</sup> / <sub>4</sub>	1/2	169228	169229	185329	185332LF	4 <sup>1</sup> / <sub>8</sub> "	P82883
611S & 611T	2x2x5 <sup>1</sup> / <sub>4</sub>	3/4	169230	169231	118473	185332LF	4 <sup>3</sup> / <sub>4</sub> "	P82882
B611S & B611T	2x2x5 <sup>1</sup> / <sub>4</sub>	3/4	169230	169231	118473	185332LF	4 <sup>3</sup> / <sub>4</sub> "	P82882
612S & 612T	2x2x5 <sup>1</sup> / <sub>4</sub>	1	169232	169233	185329	185332LF	5 <sup>1</sup> / <sub>4</sub> "	P58536
B612S & B612T	2x2x5 <sup>1</sup> / <sub>4</sub>	1	169232	169233	185329	185332LF	5 <sup>1</sup> / <sub>4</sub> "	P58536
613S & 613T	1 <sup>1</sup> / <sub>2</sub> x1 <sup>1</sup> / <sub>2</sub> x6 <sup>1</sup> / <sub>4</sub>	3/4	169230	169231	185329	185332LF*	5 <sup>3</sup> / <sub>4</sub> "	P82884
614S & 614T	1 <sup>1</sup> / <sub>2</sub> x1 <sup>1</sup> / <sub>2</sub> x6 <sup>1</sup> / <sub>4</sub>	1	169232	169233	185329	185332LF*	6 <sup>1</sup> / <sub>4</sub> "	P58564
B614S & B614T	1 <sup>1</sup> / <sub>2</sub> x1 <sup>1</sup> / <sub>2</sub> x6 <sup>1</sup> / <sub>4</sub>	1	169232	169233	185329	185332LF*	6 <sup>1</sup> / <sub>4</sub> "	P58564
615S & 615T	2x2x6 <sup>1</sup> / <sub>4</sub>	3/4	169230	169231	185329	185332LF*	5 <sup>5</sup> / <sub>8</sub> "	P82885
B615S & B615T	2x2x6 <sup>1</sup> / <sub>4</sub>	3/4	169230	169231	185329	185332LF*	5 <sup>5</sup> / <sub>8</sub> "	P82885
616S & 616T	2x2x6 <sup>1</sup> / <sub>4</sub>	1	169232	169233	185329	185332LF*	6 <sup>7</sup> / <sub>32</sub> "	P58562
617S & 617T	1 <sup>1</sup> / <sub>2</sub> x1 <sup>1</sup> / <sub>2</sub> x7	1 <sup>1</sup> / <sub>2</sub>	169236	169237	186003	185333LF	6 <sup>1</sup> / <sub>2</sub> "	P57460
618T	1 <sup>1</sup> / <sub>2</sub> x1 <sup>1</sup> / <sub>2</sub> x7	2	NONE	169238	186003	185333LF	7"	P57440
619T	2x2x7	2	NONE	169238	186003	185333LF	6 <sup>1</sup> / <sub>2</sub> "	P82137
620T	2x2x7	3	NONE	169234	185331	185333LF	7"	P57580
621S & 621T	1 <sup>1</sup> / <sub>2</sub> x1 <sup>1</sup> / <sub>2</sub> x6 <sup>1</sup> / <sub>4</sub>	1/2	169228	169229	118473	185332LF*	4 <sup>7</sup> / <sub>8</sub> "	P58661
B621S & B621T	1 <sup>1</sup> / <sub>2</sub> x1 <sup>1</sup> / <sub>2</sub> x6 <sup>1</sup> / <sub>4</sub>	1/2	169228	169229	118473	185332LF*	4 <sup>7</sup> / <sub>8</sub> "	P58661
622S & 622T	1 <sup>1</sup> / <sub>2</sub> x1 <sup>1</sup> / <sub>2</sub> x7	3/4	169230	169231	186410	185333LF	5 <sup>1</sup> / <sub>2</sub> "	P58662
623S & 623T	1 <sup>1</sup> / <sub>2</sub> x1 <sup>1</sup> / <sub>2</sub> x7	1	169232	169233	185330	185333LF	6"	P58663
624S & 624T	2x2x7	1	169232	169233	185330	185333LF	5 <sup>11</sup> / <sub>16</sub> "	P58664
625S & 625T	2x2x7	1 <sup>1</sup> / <sub>2</sub>	169236	169237	186003	185333LF	6 <sup>1</sup> / <sub>8</sub> "	P58665
626S & 626T	3x3x5 <sup>1</sup> / <sub>4</sub>	3/4	169230	169231	185329	185333LF	4 <sup>3</sup> / <sub>8</sub> "	P83023
B626S & B626T	3x3x5 <sup>1</sup> / <sub>4</sub>	3/4	169230	169231	185329	185333LF	4 <sup>3</sup> / <sub>8</sub> "	P83023
627S & 627T	3x3x5 <sup>1</sup> / <sub>4</sub>	1 <sup>1</sup> / <sub>2</sub>	169236	169237	P75421	185333LF	5 <sup>1</sup> / <sub>4</sub> "	P58636
B627S & B627T	3x3x5 <sup>1</sup> / <sub>4</sub>	1 <sup>1</sup> / <sub>2</sub>	169236	169237	P75421	185333LF	5 <sup>1</sup> / <sub>4</sub> "	P58636

\*Adapter ring gasket P58542 must also be ordered when bearing assembly is replaced on all 6<sup>1</sup>/<sub>4</sub>" pumps.

†Buna/Carbon/Ceramic.

■ - Factory recommended spare parts.

**MODEL 1 1/2x1 1/2x5 1/4****VOLUTES, IMPELLERS & FLANGES**

ITEM NO.	DESCRIPTION	BRONZE FITTED	ALL BRONZE
1	Volute	186389	186932LF
10	Volute Drain Plug (5 Req'd)	P39020	P39470
7	Volute Capscrew (8 Req'd)	P10620	P10620
2	Volute Gasket	P57410	P57410
8	Impeller (State Diameter)	P58538	P58538
	Impeller Key	P04940	P04940
9	Impeller Nut	P2000236	P2000236
3	Impeller Washer	P04660	P04660
	Flange (2 Req'd)	P03410	P2000090
	Fastener Package	P64940	P64930
	Flange Gasket Set	118373	118373

**XL-11™ BEARING ASSEMBLIES (FOR BF OR AB PUMPS)**

ITEM NO.	DESCRIPTION	MODELS WITH COPPER SHAFT SLEEVE				MODELS WITH STAINLESS STEEL SHAFT SLEEVE			
		185332LF	185355LF	185356LF	N/A	185357LF	185358LF	185359LF	N/A
4	Bearing Assy. – Includes the Following:	185332LF	185355LF	185356LF	N/A	185357LF	185358LF	185359LF	N/A
11	Seal Kit No. Seal Type	118681LF Std. <sup>1</sup>	185230LF Opt. <sup>2</sup>	186875 Opt. <sup>3</sup>	185381 Opt. <sup>4</sup>	118681LF Std. <sup>1</sup>	185230LF Opt. <sup>2</sup>	186875 Opt. <sup>3</sup>	185381 Opt. <sup>4</sup>
	XL-11™ Small Bearing Frame Repair Kit*	185335LF	185335LF	185335LF	N/A	185336	185336	185336	N/A
2	Volute Gasket	P57410	P57410	P57410	N/A	P57410	P57410	P57410	N/A

<sup>1</sup>Buna/Carbon/Ceramic    <sup>2</sup>EPT/Carbon/Tungsten Carbide    <sup>3</sup>Viton/Carbon/Ceramic    <sup>4</sup>EPR/SiC/SiC

\*Includes pre-assembled faceplate, nose cone, shaft and bearings. Wave spring and volute gasket are also supplied.

**ITEM NO. 5 COUPLERS**

See chart, p.15

**ITEM NO. 6 POWER PACKS**

HP	1 PHASE 115/208-230	3 PHASE 208-230/460	RING MOUNTS
1/4	169224	169225	118228
1/3	169226	169227	118228
1/2	169228	169229	118228
3/4	169230	169231	118228

■ – Factory recommended spare parts.

**ITEM NO. 5 COUPLERS**

PUMP MODEL	PUMP SHAFT SIZE	MOTOR HP (60 hz)	MOTOR FRAME SIZE	MOTOR SHAFT SIZE	STANDARD COUPLER	ELASTOMERIC COUPLER OPTION
1x1x5¼	½"	¼ – ½	B&G POWER	½"	118473	185329
1¼x1¼x5¼		¾ – 1	PACK		185329	185329
1½x1½x5¼		¼ – 1½	56	⅝"	185330	185330
1½x1½x6¼		1½	56C	⅝"	P75421	P75421
2x2x5¼		1½	143TC	⅞"	P75422	P75422
2x2x6¼		1 – 1½	143 / 145	⅞"	P58598	P58598
3x3x5¼						
1½x1½x7 2x2x7	¾"	¾	B&G POWER	½"	186410	185330
		1	PACK		185330	185330
		¾ – 1	56	⅝"	186004	186004
		1½ – 3	56	⅝"	186003	186003
		1½ – 3	143 / 145	⅞"	185331	185331
		3	182 / 184	1⅝"	P77281	P77281

■ – Factory recommended spare parts.