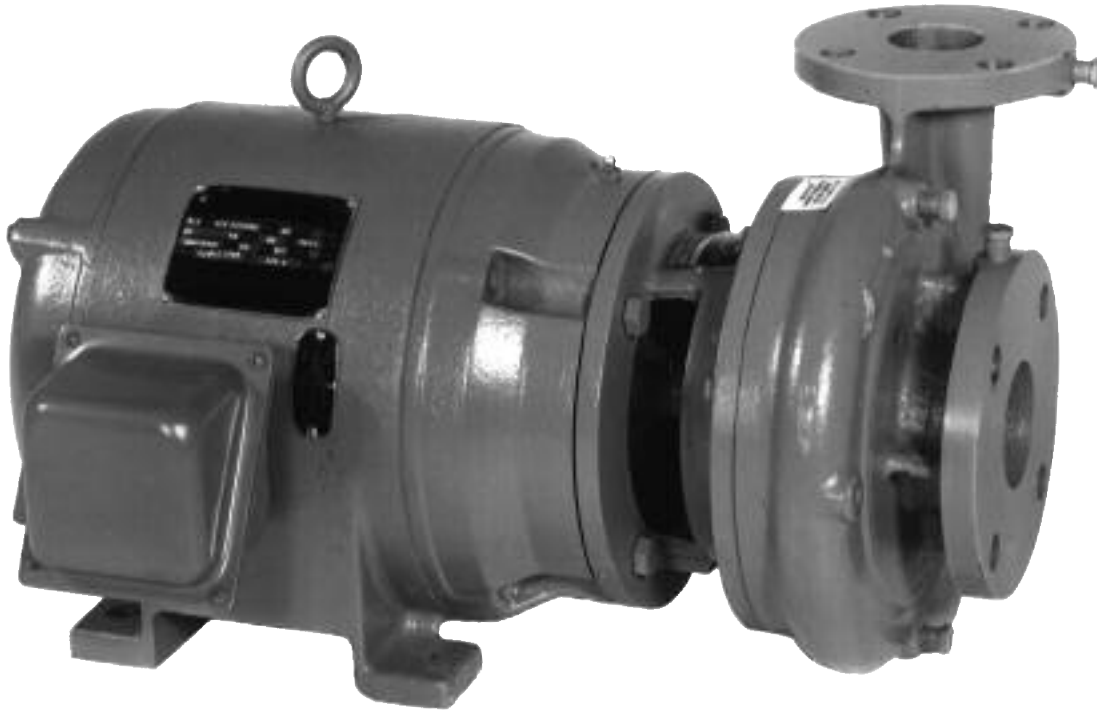


**Bell & Gossett®**  
Parts List CP-305J-PL



---

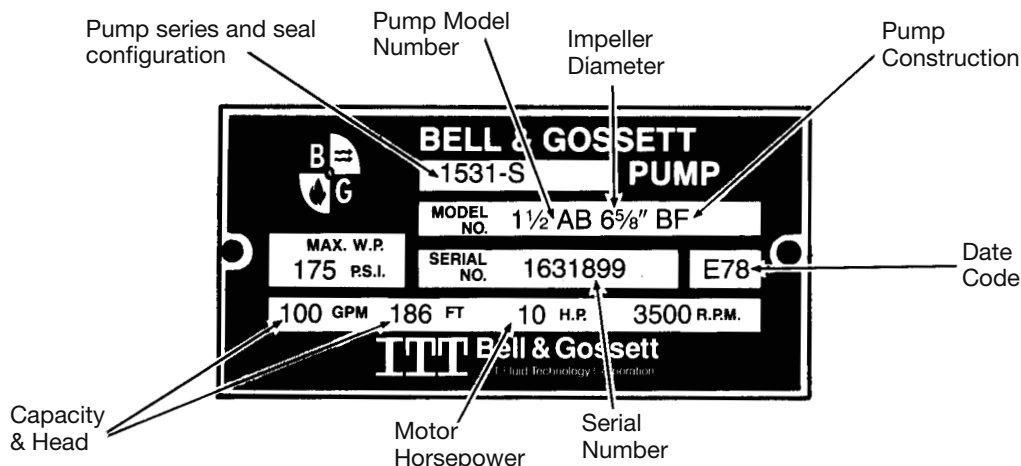
Replacement Parts for  
**Series 1531**  
Close Coupled  
Centrifugal Pumps

*Engineered for life*

**SERIES 1531**

# How to use this PARTS LIST

The pump nameplate identifies the pump by pipe size, seal configuration, pump construction and impeller diameter as shown below.



The nameplate identifies the pump in the example as a Series 1531 with a "-S, seal and Bronze Fitted (BF) construction. The pump is listed in the parts list by its maximum impeller diameter and would be called a 1½ AB pump. The actual impeller size for the example pump is 6⅝" as shown in the pump description space.

The Series 1531 pump is furnished in either a "Standard Seal" or "Stuffing Box" configuration. The "Standard Seal" pump has no seal designation after the Series Number in the nameplate; if the example were of "Standard Seal" configuration the nameplate would show it to be a 1531 6⅝" BF pump.

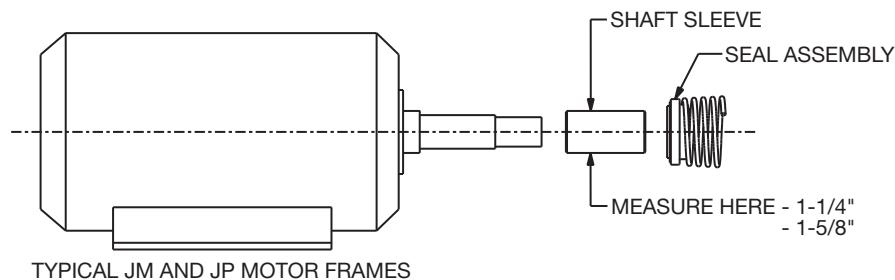
The "Stuffing Box" model has three positive seal configurations:

|                      |                    |                       |                             |
|----------------------|--------------------|-----------------------|-----------------------------|
| <b>Series 1531-S</b> | <b>Single Seal</b> | <b>Series 1531-PF</b> | <b>Packing Rings with</b>   |
| <b>Series 1531-D</b> | <b>Double Seal</b> |                       | <b>Flush (Lantern) Ring</b> |

The motor shaft size, depending on motor horsepower, may be either 1¼" or 1⅝" in diameter. The shaft size is measured at the point where the shaft enters the volute cover plate and affects the selection of the seal, shaft sleeve, water slinger, impeller, impeller hardware and volute cover plate as indicated in the parts list.

Follow the procedure below for proper parts selection:

1. Determine from the nameplate the pump size, seal configuration, pump construction and impeller diameter.
2. Measure shaft sleeve diameter at the seal.



3. Refer to the index for the page number of the parts list for the specific pump.
4. Find the proper column in the parts list for the pump construction involved.
5. Select part numbers using the drawings on page 5 or 6 for identification. Where shaft diameter affects parts selection use the measurement indicated in step 2.
6. Motor brackets vary with motor frame sizes. Secure the motor frame number from the motor nameplate and use to select the proper motor bracket. Consult the Motor Frame Size Selection Chart on page 42 if additional help is needed in obtaining a motor frame size. Always give complete motor nameplate data when ordering replacement motors.

# Cross Reference Sizes for Standard Pumps

| STOCK SIZE | PUMP SIZE                        | H.P.                          | IMPELLER NUMBER | IMPELLER SIZE                     | RPM  |
|------------|----------------------------------|-------------------------------|-----------------|-----------------------------------|------|
| *27T       | 1 <sup>1</sup> / <sub>4</sub> AB | <sup>3</sup> / <sub>4</sub>   | P46630          | @6 <sup>1</sup> / <sub>4</sub> "  | 1750 |
| *28T       | 1 <sup>1</sup> / <sub>2</sub> AB | 1 <sup>1</sup> / <sub>2</sub> | P47950          | @7"                               | 1750 |
| *29T       | 2 <sup>1</sup> / <sub>2</sub> A  | 2                             | P49000          | @6 <sup>3</sup> / <sub>4</sub> "  | 1750 |
| *30T       | 1 <sup>1</sup> / <sub>2</sub> BB | 3                             | P78528          | @8 <sup>1</sup> / <sub>2</sub> "  | 1750 |
| *31T       | 1 <sup>1</sup> / <sub>2</sub> BB | 5                             | P78523          | @9 <sup>1</sup> / <sub>2</sub> "  | 1750 |
| *32T       | 2BB                              | 5                             | P78525          | @8 <sup>1</sup> / <sub>2</sub> "  | 1750 |
| *33T       | 2AB                              | 7 <sup>1</sup> / <sub>2</sub> | P47950          | @5 <sup>3</sup> / <sub>4</sub> "  | 3500 |
| *34T       | 1 <sup>1</sup> / <sub>4</sub> AB | 3                             | P46630          | @5 <sup>3</sup> / <sub>8</sub> "  | 3500 |
| *35T       | 1 <sup>1</sup> / <sub>2</sub> AB | 5                             | P47950          | @5 <sup>1</sup> / <sub>2</sub> "  | 3500 |
| *36T       | 2AB                              | 5                             | P47950          | @5 <sup>1</sup> / <sub>4</sub> "  | 3500 |
| *37T       | 1 <sup>1</sup> / <sub>4</sub> BB | 2                             | P78523          | @8 <sup>1</sup> / <sub>8</sub> "  | 1750 |
| *38T       | 1 <sup>1</sup> / <sub>4</sub> BB | 3                             | P78523          | @9 <sup>1</sup> / <sub>8</sub> "  | 1750 |
| *39T       | 2 <sup>1</sup> / <sub>2</sub> B  | 5                             | P78525          | @8 <sup>1</sup> / <sub>4</sub> "  | 1750 |
| *40T       | 2 <sup>1</sup> / <sub>2</sub> B  | 7 <sup>1</sup> / <sub>2</sub> | P78525          | @9 <sup>1</sup> / <sub>2</sub> "  | 1750 |
| *41T       | 1 <sup>1</sup> / <sub>2</sub> AB | 1                             | P47950          | @6 <sup>1</sup> / <sub>2</sub> "  | 1750 |
| *42T       | 1 <sup>1</sup> / <sub>4</sub> AB | 2                             | P46630          | @4 <sup>1</sup> / <sub>16</sub> " | 3500 |
| *43T       | 3BB                              | 10                            | P49620          | @9 <sup>1</sup> / <sub>2</sub> "  | 1750 |
| *44T       | 1 <sup>1</sup> / <sub>4</sub> AB | 5                             | P46630          | @6 <sup>1</sup> / <sub>4</sub> "  | 3500 |
| *311T      | 1 <sup>1</sup> / <sub>2</sub> AB | 1                             | P47956          | @6 <sup>1</sup> / <sub>4</sub> "  | 1750 |
| *312T      | 1 <sup>1</sup> / <sub>2</sub> AB | 1 <sup>1</sup> / <sub>2</sub> | P47950          | @6 <sup>3</sup> / <sub>8</sub> "  | 1750 |
| *313T      | 1 <sup>1</sup> / <sub>2</sub> BB | 2                             | P78531          | @7 <sup>3</sup> / <sub>4</sub> "  | 1750 |
| *313TB     | 1 <sup>1</sup> / <sub>2</sub> BC | 2                             | P78531          | @7 <sup>3</sup> / <sub>4</sub> "  | 1750 |
| *314T      | 1 <sup>1</sup> / <sub>2</sub> BB | 3                             | P78528          | @8 <sup>1</sup> / <sub>2</sub> "  | 1750 |
| *314TB     | 1 <sup>1</sup> / <sub>2</sub> BC | 3                             | P78528          | @8 <sup>1</sup> / <sub>2</sub> "  | 1750 |
| *315T      | 1 <sup>1</sup> / <sub>2</sub> BB | 5                             | P78523          | @9 <sup>1</sup> / <sub>2</sub> "  | 1750 |
| *315TB     | 1 <sup>1</sup> / <sub>2</sub> BC | 5                             | P78523          | @9 <sup>1</sup> / <sub>2</sub> "  | 1750 |
| *316T      | 2 <sup>1</sup> / <sub>2</sub> A  | 2                             | P49000          | @6 <sup>3</sup> / <sub>4</sub> "  | 1750 |
| *316TB     | 2 <sup>1</sup> / <sub>2</sub> AB | 2                             | P50717          | @6 <sup>3</sup> / <sub>8</sub> "  | 1750 |
| *317T      | 3AB                              | 3                             | P77560          | @6 <sup>3</sup> / <sub>4</sub> "  | 1750 |
| *318T      | 2 <sup>1</sup> / <sub>2</sub> B  | 5                             | P78525          | @8 <sup>1</sup> / <sub>4</sub> "  | 1750 |
| *318TB     | 2 <sup>1</sup> / <sub>2</sub> BB | 5                             | P50733          | @8 <sup>1</sup> / <sub>4</sub> "  | 1750 |
| *319T      | 2 <sup>1</sup> / <sub>2</sub> B  | 7 <sup>1</sup> / <sub>2</sub> | P78525          | @9 <sup>1</sup> / <sub>2</sub> "  | 1750 |

| STOCK SIZE | PUMP SIZE                        | H.P.                          | IMPELLER NUMBER | IMPELLER SIZE                    | RPM  |
|------------|----------------------------------|-------------------------------|-----------------|----------------------------------|------|
| *319TB     | 2 <sup>1</sup> / <sub>2</sub> BB | 7 <sup>1</sup> / <sub>2</sub> | P50732          | @9 <sup>1</sup> / <sub>2</sub> " | 1750 |
| *3110T     | 4BB                              | 5                             | P50550          | @7 <sup>3</sup> / <sub>8</sub> " | 1750 |
| *3110TB    | 4AC                              | 5                             | P50762          | @6 <sup>3</sup> / <sub>8</sub> " | 1750 |
| *3111T     | 4BB                              | 7 <sup>1</sup> / <sub>2</sub> | P50550          | @8 <sup>3</sup> / <sub>8</sub> " | 1750 |
| *3111TB    | 4BC                              | 7 <sup>1</sup> / <sub>2</sub> | P50750          | @7 <sup>3</sup> / <sub>4</sub> " | 1750 |
| *3112T     | 4BB                              | 10                            | P50550          | @9 <sup>1</sup> / <sub>8</sub> " | 1750 |
| *3112TB    | 4BC                              | 10                            | P50749          | @8 <sup>1</sup> / <sub>2</sub> " | 1750 |
| *3113T     | 1 <sup>1</sup> / <sub>4</sub> AB | 3                             | P46630          | @5 <sup>1</sup> / <sub>8</sub> " | 3500 |
| *3113TB    | 1 <sup>1</sup> / <sub>4</sub> AC | 3                             | P50655          | @5 <sup>1</sup> / <sub>8</sub> " | 3500 |
| *3114T     | 1 <sup>1</sup> / <sub>4</sub> AB | 5                             | P46630          | @6"                              | 3500 |
| *3114TB    | 1 <sup>1</sup> / <sub>4</sub> AC | 5                             | P50654          | @6"                              | 3500 |
| *3115T     | 1 <sup>1</sup> / <sub>4</sub> AB | 7 <sup>1</sup> / <sub>2</sub> | P46630          | @6 <sup>5</sup> / <sub>8</sub> " | 3500 |
| *3115TB    | 1 <sup>1</sup> / <sub>4</sub> AC | 7 <sup>1</sup> / <sub>2</sub> | P50653          | @6 <sup>5</sup> / <sub>8</sub> " | 3500 |
| *3116T     | 2AB                              | 5                             | P47950          | @5 <sup>1</sup> / <sub>8</sub> " | 3500 |
| *3116TB    | 2AC                              | 5                             | P50687          | @5 <sup>1</sup> / <sub>8</sub> " | 3500 |
| *3117T     | 2AB                              | 7 <sup>1</sup> / <sub>2</sub> | P47950          | @5 <sup>3</sup> / <sub>4</sub> " | 3500 |
| *3117TB    | 2AC                              | 7 <sup>1</sup> / <sub>2</sub> | P50686          | @5 <sup>3</sup> / <sub>4</sub> " | 3500 |
| *3118T     | 2AB                              | 10                            | P47950          | @6 <sup>3</sup> / <sub>8</sub> " | 3500 |
| *3118TB    | 2AC                              | 10                            | P50685          | @6 <sup>3</sup> / <sub>8</sub> " | 3500 |
| *3119T     | 3AB                              | 10                            | P78285          | @5 <sup>3</sup> / <sub>8</sub> " | 3500 |
| *3120T     | 3AB                              | 15                            | P78282          | @5 <sup>1</sup> / <sub>8</sub> " | 3500 |
| *3121T     | 3AB                              | 20                            | P77592          | @6 <sup>3</sup> / <sub>8</sub> " | 3500 |
| *3122T     | 2 <sup>1</sup> / <sub>2</sub> AB | 7 <sup>1</sup> / <sub>2</sub> | P50717          | @5 <sup>1</sup> / <sub>8</sub> " | 3500 |
| *3123T     | 2 <sup>1</sup> / <sub>2</sub> AB | 10                            | P50717          | @5 <sup>5</sup> / <sub>8</sub> " | 3500 |
| *3124T     | 2 <sup>1</sup> / <sub>2</sub> AB | 15                            | P50717          | @6 <sup>3</sup> / <sub>8</sub> " | 3500 |
| *3125T     | 2 <sup>1</sup> / <sub>2</sub> AB | 20                            | P50723          | @7"                              | 3500 |
| *3126T     | 2 <sup>1</sup> / <sub>2</sub> AB | 3                             | P50716          | @7"                              | 1750 |
| *3127T     | 3BB                              | 5                             | P49620          | @7 <sup>3</sup> / <sub>4</sub> " | 1750 |
| *3128T     | 3BB                              | 7 <sup>1</sup> / <sub>2</sub> | P49620          | @8 <sup>7</sup> / <sub>8</sub> " | 1750 |
| *3129T     | 3BB                              | 10                            | P49620          | @9 <sup>1</sup> / <sub>2</sub> " | 1750 |
| *3130T     | 4BC                              | 15                            | P50755          | @9 <sup>1</sup> / <sub>2</sub> " | 1750 |

All pumps above are standard mechanical seal and bronze fitted construction.

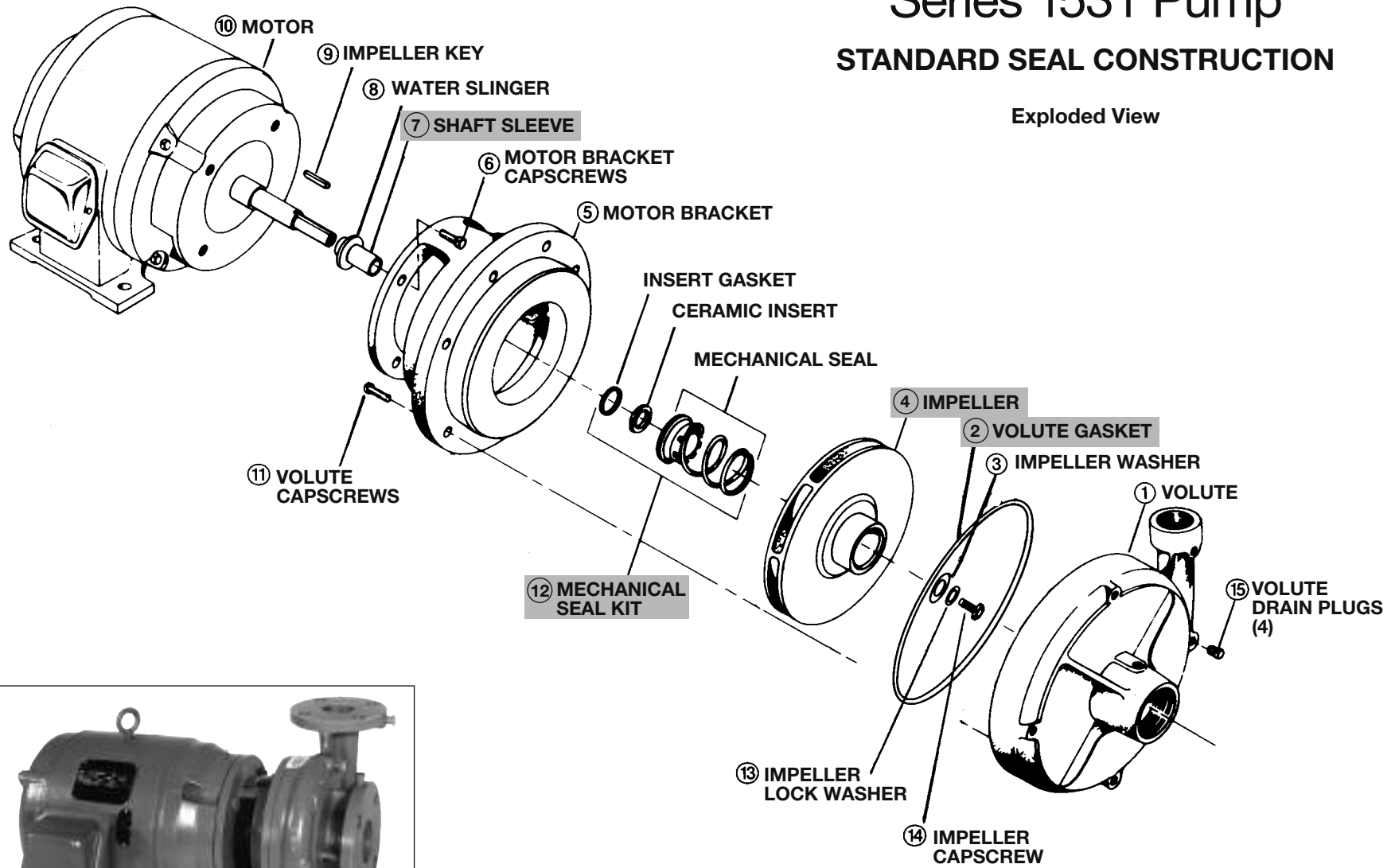
\*Pumps obsolete, some parts still available.

■ – Factory recommended spare parts.

# Series 1531 Pump

## STANDARD SEAL CONSTRUCTION

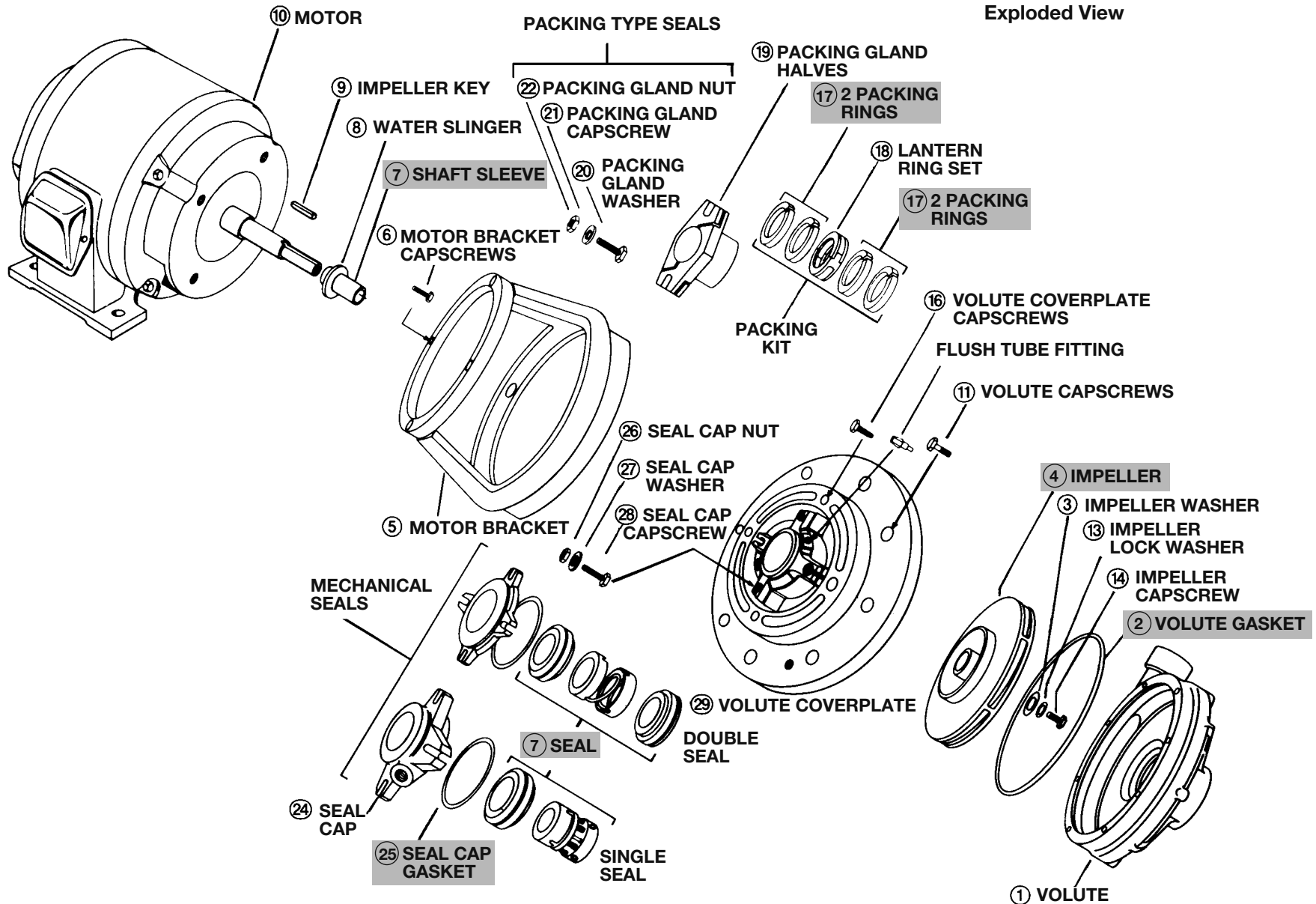
Exploded View



— Factory recommended spare parts.

# Series 1531 Pump

## OPTIONAL STUFFING BOX CONSTRUCTION



— Factory recommended spare parts.

## 2AC

| ITEM NO.                             | DESCRIPTION   | PUMP CONSTRUCTION               |                              |          |             |
|--------------------------------------|---|---------------------------------|------------------------------|----------|-------------|
|                                      |   | BRONZE FITTED                   | BRONZE FITTED WITH WEAR RING | ALL IRON | ALL BRONZE  |
| PARTS COMMON TO BOTH TYPES           |   |                                 |                              |          |             |
| 4                                    | Impeller (state diameter) 7" full dia. 1 <sup>1</sup> / <sub>4</sub> " shaft sleeve | P50684                          | P50684                       | P50696   | P50684      |
| 4                                    | Impeller (state diameter) 7" full dia. 1 <sup>5</sup> / <sub>8</sub> " shaft sleeve | P50692                          | P50692                       | P50698   | P50692      |
| 14                                   | Impeller Capscrew 1 <sup>1</sup> / <sub>4</sub> " shaft sleeve                      | P52350                          | P52350                       | P52350   | P52350      |
| 14                                   | Impeller Capscrew 1 <sup>5</sup> / <sub>8</sub> " shaft sleeve                      | P13800                          | P13800                       | P13800   | P13800      |
| 13                                   | Impeller Lockwasher 1 <sup>1</sup> / <sub>4</sub> " shaft sleeve                    | J23874                          | J23874                       | J23874   | J23874      |
| 13                                   | Impeller Lockwasher 1 <sup>5</sup> / <sub>8</sub> " shaft sleeve                    | J23875                          | J23875                       | J23875   | J23875      |
| 3                                    | Impeller Washer 1 <sup>1</sup> / <sub>4</sub> " shaft sleeve                        | P46390                          | P46390                       | P46381   | P46390      |
| 3                                    | Impeller Washer 1 <sup>5</sup> / <sub>8</sub> " shaft sleeve                        | P51250                          | P51250                       | P46382   | P51250      |
| 9                                    | Impeller Key 1 <sup>1</sup> / <sub>4</sub> " shaft sleeve                           | P49369                          | P49369                       | P49369   | P49369      |
| 9                                    | Impeller Key 1 <sup>5</sup> / <sub>8</sub> " shaft sleeve                           | P49372                          | P49372                       | P49372   | P49372      |
| 1                                    | Volute  | P42258                          | *P44153                      | P42258   | P42260      |
|                                      | Wear Ring   | —                               | P49145                       | —        | —           |
| 15                                   | Volute Drain Plug (4)   | P39040                          | P39040                       | P39050   | P39480      |
| 11                                   | Volute Capscrew (8)**   | P40020                          | P40020                       | P40020   | P52310      |
| 2                                    | Volute Gasket   | P57700                          | P57700                       | P57700   | P57700      |
| 8                                    | Water Slinger 1 <sup>1</sup> / <sub>4</sub> " shaft sleeve                          | P53550                          | P53550                       | P53550   | P53550      |
| PARTS FOR STANDARD SEAL CONSTRUCTION |   |                                 |                              |          |             |
| 5                                    | Motor Bracket – Motor Frames 143JM-145JM, 182JM-184JM                               | 186526                          | 186526                       | 186526   | P56929      |
| 6                                    | Motor Bracket Capscrew for above (4)  | P40020                          | P40020                       | P40020   | P40020      |
| 5                                    | Motor Bracket – Motor Frames 213JM-215JM  | 186528                          | 186528                       | 186528   | P56939      |
| 6                                    | Motor Bracket Capscrew for above (4)  | K03600                          | K03600                       | K03600   | K03600      |
| 5                                    | Motor Bracket – Motor Frames 254JP-256JP  | P77076                          | P77076                       | P77076   | P77073      |
| 6                                    | Motor Bracket Capscrew for above (4)  | P13780                          | P13780                       | P13780   | P13780      |
| 12                                   | Seal Kit Buna/Carbon/Ceramic 1 <sup>1</sup> / <sub>4</sub> " shaft sleeve           | 186862LF                        | 186862LF                     | 186860   | 186862LF    |
| 12                                   | Seal Kit Buna/Carbon/Ceramic 1 <sup>5</sup> / <sub>8</sub> " shaft sleeve           | 186543LF                        | 186543LF                     | 186544   | 186543LF    |
| 12                                   | Seal Kit EPR/Carbon/Tungsten Carbide 1 <sup>1</sup> / <sub>4</sub> " shaft sleeve   | 186861LF                        | 186861LF                     | —        | 186861LF    |
| 12                                   | Seal Kit EPR/Carbon/Tungsten Carbide 1 <sup>5</sup> / <sub>8</sub> " shaft sleeve   | 185225LF                        | 185225LF                     | —        | 185225LF    |
| 7                                    | Shaft Sleeve Kit 1 <sup>1</sup> / <sub>4</sub> " shaft sleeve                       | 185024LF                        | 185024LF                     | 185025   | 185024LF    |
| 7                                    | Shaft Sleeve Kit 1 <sup>5</sup> / <sub>8</sub> " shaft sleeve                       | 185021LF                        | 185021LF                     | 185022   | 185021LF    |
| 8                                    | Water Slinger 1 <sup>5</sup> / <sub>8</sub> " shaft sleeve                          | P53720                          | P53720                       | P53720   | P53720      |
| PARTS FOR STUFFING BOX CONSTRUCTION  |   |                                 |                              |          |             |
| 5                                    | Motor Bracket – Motor Frames 143JP-145JP, 182JP-184JP                               | P85023                          | P85023                       | P85023   | Not Offered |
| 6                                    | Motor Bracket Capscrew for above (4)  | P52320                          | P52320                       | P52320   |             |
| 5                                    | Motor Bracket – Motor Frames 213JP-215JP, 254JP-256JP                               | P85025                          | P85025                       | P85025   |             |
| 6                                    | Motor Bracket Capscrew for above (4)  | K03600                          | K03600                       | K03600   |             |
|                                      | Packing   | See Table C or D, Page 41       |                              |          |             |
|                                      | Single Seal Components  | See Table A, Page 41            |                              |          |             |
|                                      | Double Seal Components  | See Table B, Page 41            |                              |          |             |
|                                      | Shaft Sleeve  | See Table A, B, C or D, Page 41 |                              |          |             |
| 29                                   | Volute Coverplate 1 <sup>1</sup> / <sub>4</sub> " shaft sleeve                      | P85027                          | P85027                       | P85027   |             |
| 16                                   | Volute Coverplate Capscrew for above (4)  | P40020                          | P40020                       | P40020   |             |
| 29                                   | Volute Coverplate 1 <sup>5</sup> / <sub>8</sub> " shaft sleeve                      | P85035                          | P85035                       | P85035   |             |
| 16                                   | Volute Coverplate Capscrew for above (8)  | DJ0081                          | DJ0081                       | DJ0081   |             |
| 1                                    | Volute-250 PSI Operation for -S and -PF Seals only                                  | Not Offered                     |                              |          |             |
| 8                                    | Water Slinger 1 <sup>5</sup> / <sub>8</sub> " shaft sleeve                          | P77320                          | P77320                       | P77320   |             |

NOTE: 1<sup>1</sup>/<sub>4</sub>" Shaft Sleeve - up to and including motor frame 215JM  
1<sup>5</sup>/<sub>8</sub>" Shaft Sleeve - motor frame 213JP and larger.

\* Includes Wear Ring.

\*\*Not required on Stuffing Box Construction with 1<sup>5</sup>/<sub>8</sub>" shaft sleeve.

— Factory recommended spare parts.

## Mechanical Seals for Stuffing Box Type Pumps

| ITEM NO. | DESCRIPTION | NUMBER REQUIRED | 1 <sup>1</sup> / <sub>4</sub> " SHAFT SLEEVE | 1 <sup>5</sup> / <sub>8</sub> " SHAFT SLEEVE |
|----------|-------------|-----------------|--|--|
|----------|-------------|-----------------|--|--|

TABLE A – ALL IRON AND BRONZE FITTED PUMPS – SINGLE SEAL – SERIES S

|    |   |   |        |          |
|----|---|---|--------|----------|
| 23 | Seal Assembly EPR/Carbon/Tungsten Carbide | 1 | P85070 | 185050LF |
| 24 | Seal Cap                                  | 1 | P85082 | P85086   |
| 28 | Seal Cap Capscrew                         | 4 | H28100 | H28100   |
| 26 | Seal Cap Nut                              | 4 | P52380 | P52380   |
| 27 | Seal Cap Washer                           | 4 | P10910 | P10910   |
| 25 | Seal Cap Gasket                           | 1 | P85077 | P85078   |
| 7  | Shaft Sleeve                              | 1 | 186023 | 185022   |

TABLE B – ALL IRON AND BRONZE FITTED PUMPS – DOUBLE SEAL – SERIES D

|    |                                  |   |        |        |
|----|----------------------------------|---|--------|--------|
| 23 | Seal Assembly EPR/Carbon/Ceramic | 1 | P85066 | 186843 |
| 24 | Seal Cap                         | 1 | P85090 | P85094 |
| 28 | Seal Cap Capscrew                | 4 | H28100 | H28100 |
| 26 | Seal Cap Nut                     | 4 | P52380 | P52380 |
| 27 | Seal Cap Washer                  | 4 | P10910 | P10910 |
| 25 | Seal Cap Gasket                  | 1 | NONE   | P85078 |
| 7  | Shaft Sleeve                     | 1 | 186023 | 185022 |

## Packing Sets for Stuffing Box Type Pumps

| ITEM NO. | DESCRIPTION | NUMBER REQUIRED | 1 <sup>1</sup> / <sub>4</sub> " SHAFT SLEEVE | 1 <sup>5</sup> / <sub>8</sub> " SHAFT SLEEVE |
|----------|-------------|-----------------|--|--|
|----------|-------------|-----------------|--|--|

TABLE C – BRONZE FITTED PUMPS – SERIES PF

|    |   |       |        |        |
|----|---|-------|--------|--------|
| 17 | Packing Ring Set (4 Pieces to Each Set) | 1 Set | P82070 | P82072 |
| 18 | Lantern Ring Set (2 Pieces to Each Set) | 1 Set | P84985 | P84986 |
| 19 | Packing Gland Halves                    | 2     | P85048 | P85050 |
| 21 | Packing Gland Capscrew                  | 2     | J92052 | J92052 |
| 22 | Packing Gland Nut                       | 2     | J91659 | J91659 |
| 20 | Packing Gland Washer                    | 2     | J91649 | J91649 |
| 7  | Shaft Sleeve                            | 1     | P85075 | 185022 |

TABLE D – ALL IRON PUMPS – SERIES PF

|    |   |       |        |        |
|----|---|-------|--------|--------|
| 17 | Packing Ring Set (4 Pieces to Each Set) | 1 Set | P82070 | P82072 |
| 18 | Lantern Ring Set (2 Pieces to Each Set) | 1 Set | P84985 | P84986 |
| 19 | Packing Gland Halves                    | 2     | P85049 | P85051 |
| 21 | Packing Gland Capscrew                  | 2     | J92052 | J92052 |
| 22 | Packing Gland Nut                       | 2     | J91659 | J91659 |
| 20 | Packing Gland Washer                    | 2     | J91649 | J91649 |
| 7  | Shaft Sleeve                            | 1     | P85075 | 185022 |

NOTE: Bronze Fitted Pumps are designated "BF" on nameplate.

All Iron Pumps are designated "AI" on nameplate.

Bronze Fitted Pumps with wearing rings are designated "BFW" on nameplate.

Bronze Fitted Pumps with special "EPT" seal are designated "BFE" on nameplate and are not furnished in the "Stuffing Box" construction – only in the "Standard Seal" type.

– Factory recommended spare parts.



## Motor Frame Size Selection Chart ODP and TEFC

| 3 PH MOTOR FRAME SELECTION* |       |       |       |       |       |       |
|-----------------------------|-------|-------|-------|-------|-------|-------|
| HP                          | ODP   |       |       | TEFC  |       |       |
|                             | 3600  | 1800  | 1200  | 3600  | 1800  | 1200  |
| 1/2                         | —     | —     | 143JM | —     | —     | 143JM |
| 3/4                         | —     | —     | 143JM | —     | —     | 143JM |
| 1                           | —     | 143JM | 145JM | —     | 143JM | 145JM |
| 1 1/2                       | 143JM | 145JM | 182JM | 143JM | 145JM | 182JM |
| 2                           | 145JM | 145JM | 184JM | 145JM | 145JM | 184JM |
| 3                           | 145JM | 182JM | 213JM | 182JM | 182JM | 213JM |
| 5                           | 182JM | 184JM | 215JM | 184JM | 184JM | 215JM |
| 7 1/2                       | 184JM | 213JM | 254JP | 213JM | 213JM | 254JP |
| 10                          | 213JM | 215JM | 256JP | 215JM | 215JM | 256JP |
| 15                          | 215JM | 254JP | 284JP | 254JP | 254JP | 284JP |
| 20                          | 254JP | 256JP | 286JP | 256JP | 256JP | 286JP |
| 25                          | 256JP | 284JP | 324JP | 284JP | 284JP | 324JP |
| 30                          | 284JP | 286JP | 326JP | 286JP | 286JP | 326JP |
| 40                          | 286JP | 324JP | —     | 324JP | 324JP | —     |
| 50                          | 324JP | 326JP | —     | 326JP | 326JP | —     |
| 60                          | 326JP | —     | —     | —     | —     | —     |

\*1Ø motors are one frame size larger than shown.

**FOR MORE INFORMATION, CONSULT YOUR LOCAL  
ITT BELL & GOSSETT REPRESENTATIVE**

